



US00D538410S

(12) **United States Design Patent**  
**Chensesseau**

(10) **Patent No.:** **US D538,410 S**

(45) **Date of Patent:** **\*\* Mar. 13, 2007**

(54) **LAVATORY**

(75) Inventor: **Bruno Chensesseau**, Puteaux (FR)

(73) Assignee: **Kohler Co.**, Kohler, WI (US)

(\*\*) Term: **14 Years**

(21) Appl. No.: **29/240,093**

(22) Filed: **Oct. 7, 2005**

(51) **LOC (8) Cl.** ..... **23-02**

(52) **U.S. Cl.** ..... **D23/293.1**

(58) **Field of Classification Search** ..... D23/270–271,  
D23/273, 284–287, 291, 293.1, 303, 308;  
4/619, 624–625, 630, 661, DIG. 15; D21/524  
See application file for complete search history.

(56) **References Cited**

**U.S. PATENT DOCUMENTS**

D198,016 S	4/1964	Kaiser	
D293,930 S	* 1/1988	Reid	..... D23/292
D347,273 S	* 5/1994	Wei	..... D23/293.1
D370,967 S	6/1996	Kaiser	
D387,419 S	12/1997	Laguera Garza	
D390,928 S	* 2/1998	Slothower	..... D23/284
D396,271 S	7/1998	Garza	
D399,933 S	* 10/1998	Thomas	..... D23/284
D433,741 S	11/2000	Singer	
D434,124 S	* 11/2000	McKeone	..... D23/284
D476,400 S	6/2003	Singla Palacin	
D499,470 S	12/2004	Garza	

**OTHER PUBLICATIONS**

Jacob Delafon catalog, “Antares” lavatory #1218/1219.  
1983 PORCHER catalog, “Astria” Pedestal Sink #130.

\* cited by examiner

*Primary Examiner*—Robert A. Delehanty

(74) *Attorney, Agent, or Firm*—Quarles & Brady LLP

(57) **CLAIM**

The ornamental design for a lavatory, as shown and described.

**DESCRIPTION**

In a preferred embodiment, the nature of this product is as a plumbing fixture in the form of a lavatory which is primarily useful for washing the body parts of humans.

FIG. 1 is a right, top, front perspective view of a lavatory embodying our new design;

FIG. 2 is a top plan view thereof;

FIG. 3 is a front elevational view thereof;

FIG. 4 is a right side elevational view thereof, the left side elevational view thereof being a mirror image of the right side shown;

FIG. 5 is a rear elevational view thereof;

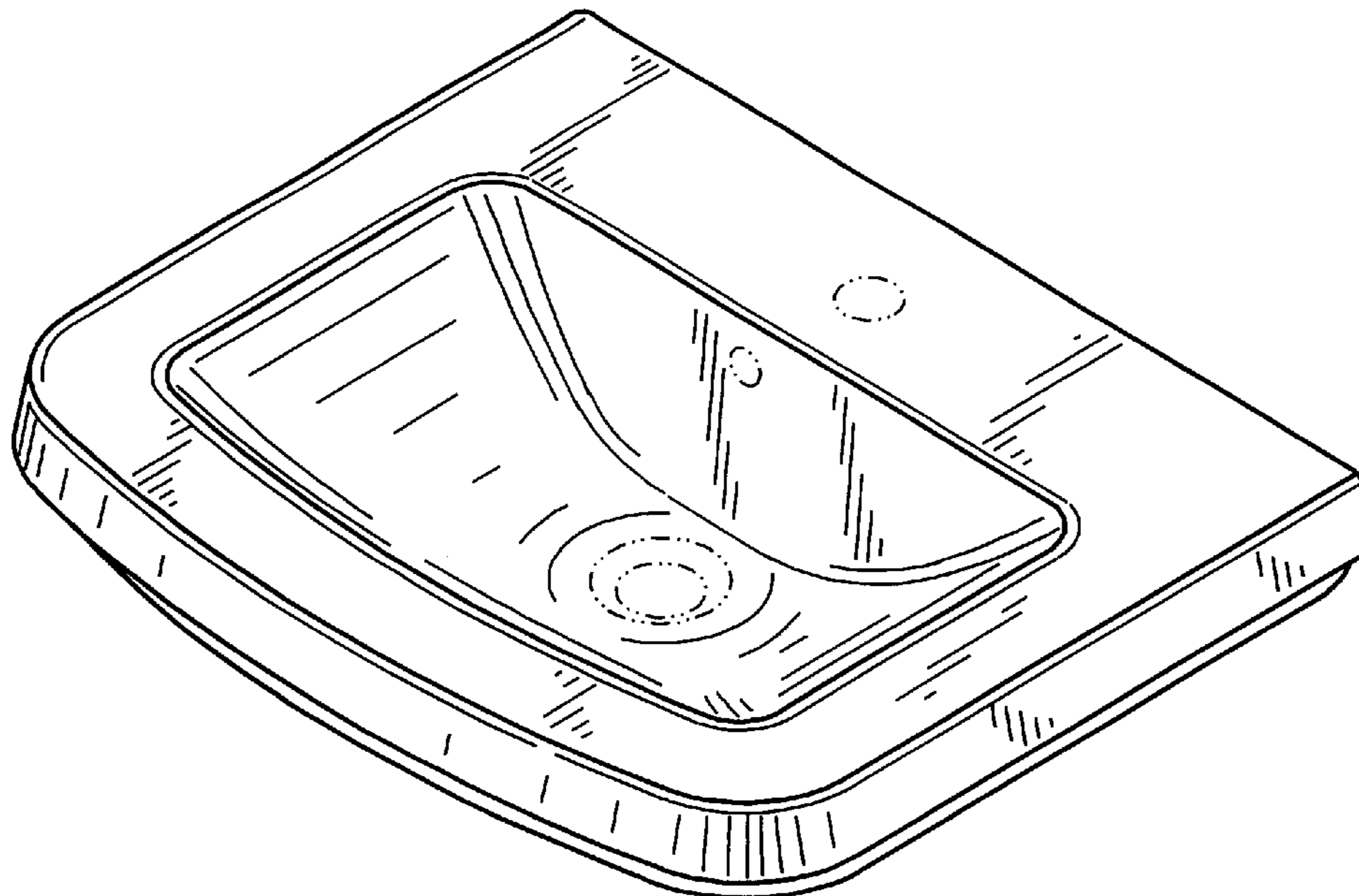
FIG. 6 is a bottom plan view thereof;

FIG. 7 is a right, top, front perspective view of the lavatory of FIG. 1 with pedestal environment shown in phantom; and,

FIG. 8 is a right, top, front perspective view of a lavatory of FIG. 1 with wall-mounted shroud environment shown in phantom.

The broken line representations of a drain and holes in FIGS. 1, 2, 7 and 8, underside structure in FIGS. 3–6, rear structure in FIG. 5, pedestal environment in FIG. 7 and shroud environment in FIG. 8, are for the purpose of illustration only, and form no part of the claimed design.

**1 Claim, 5 Drawing Sheets**



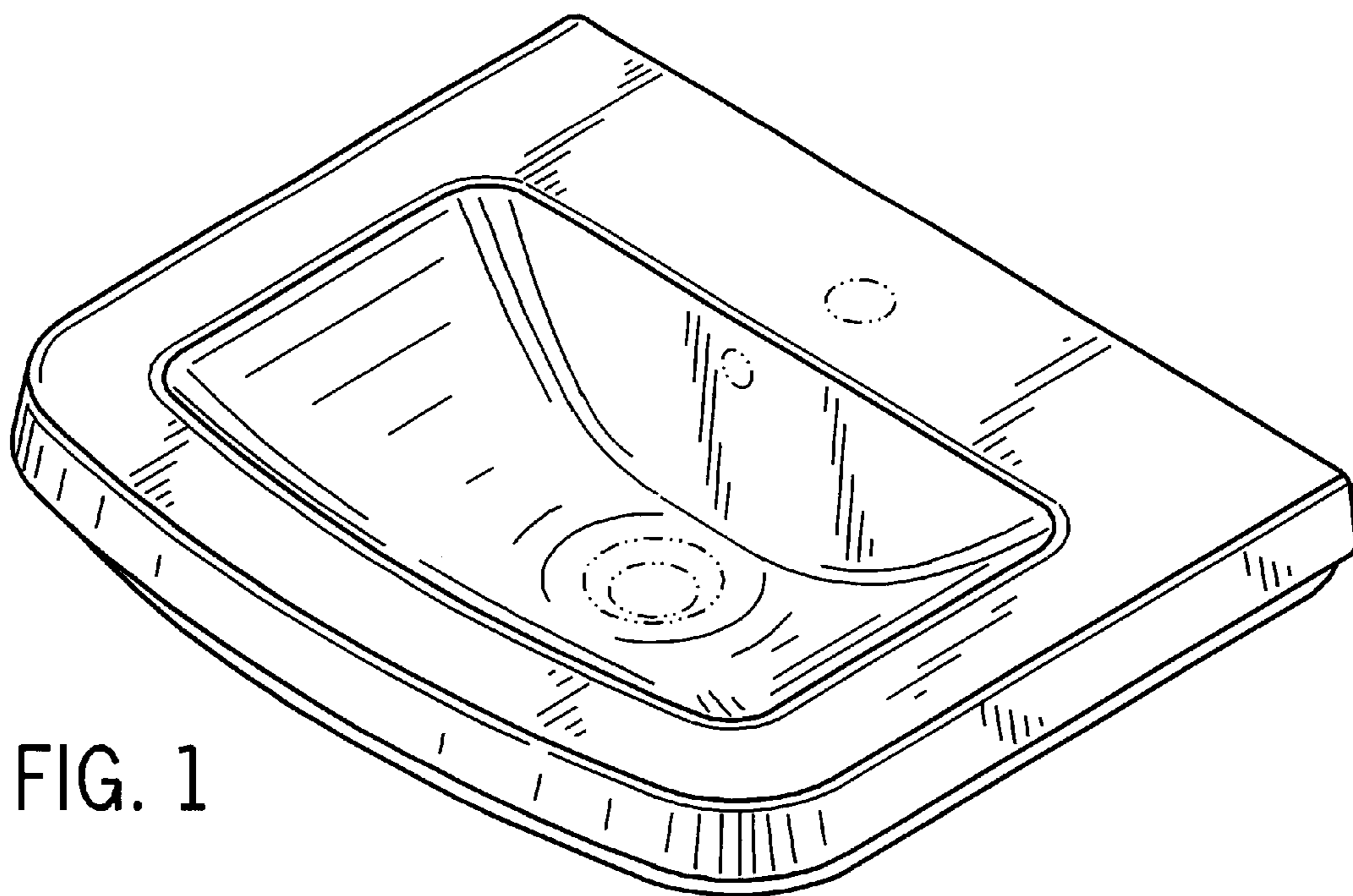


FIG. 1

FIG. 2

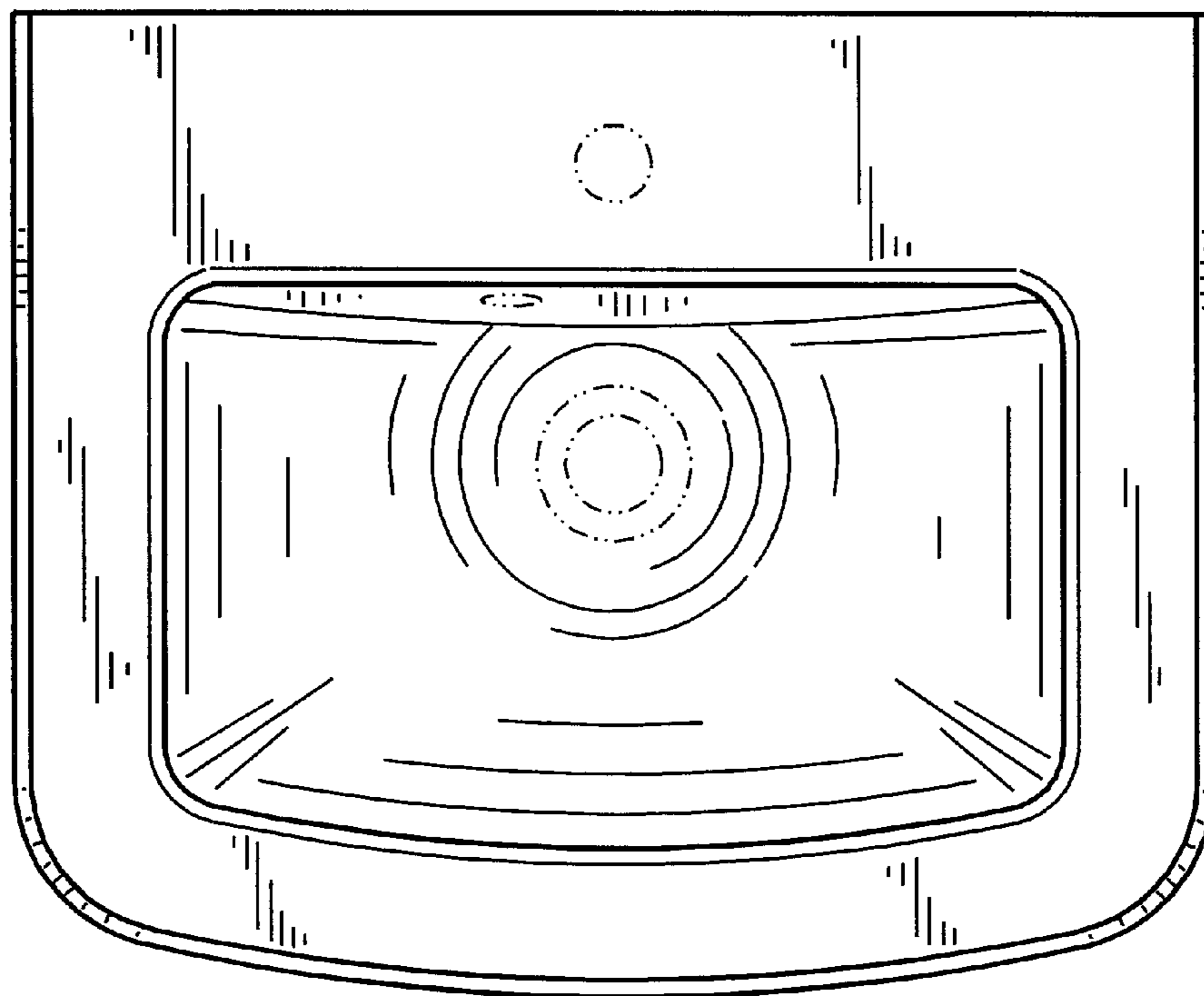


FIG. 3

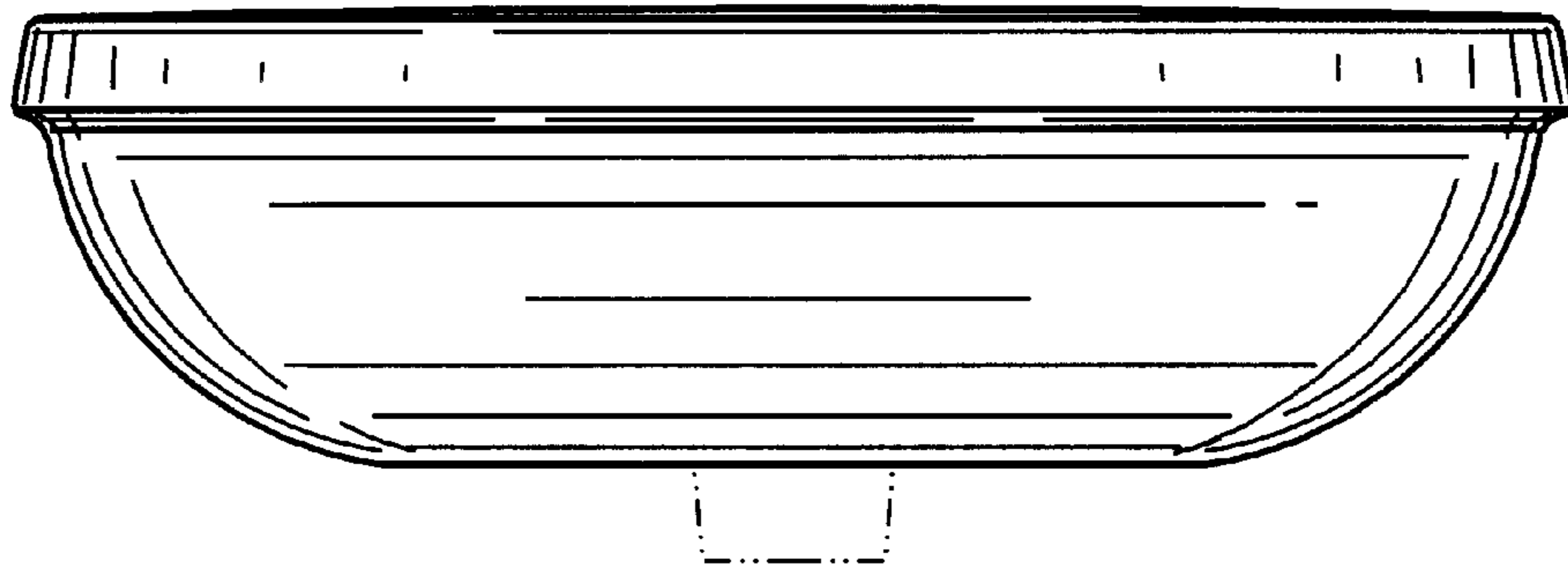


FIG. 4

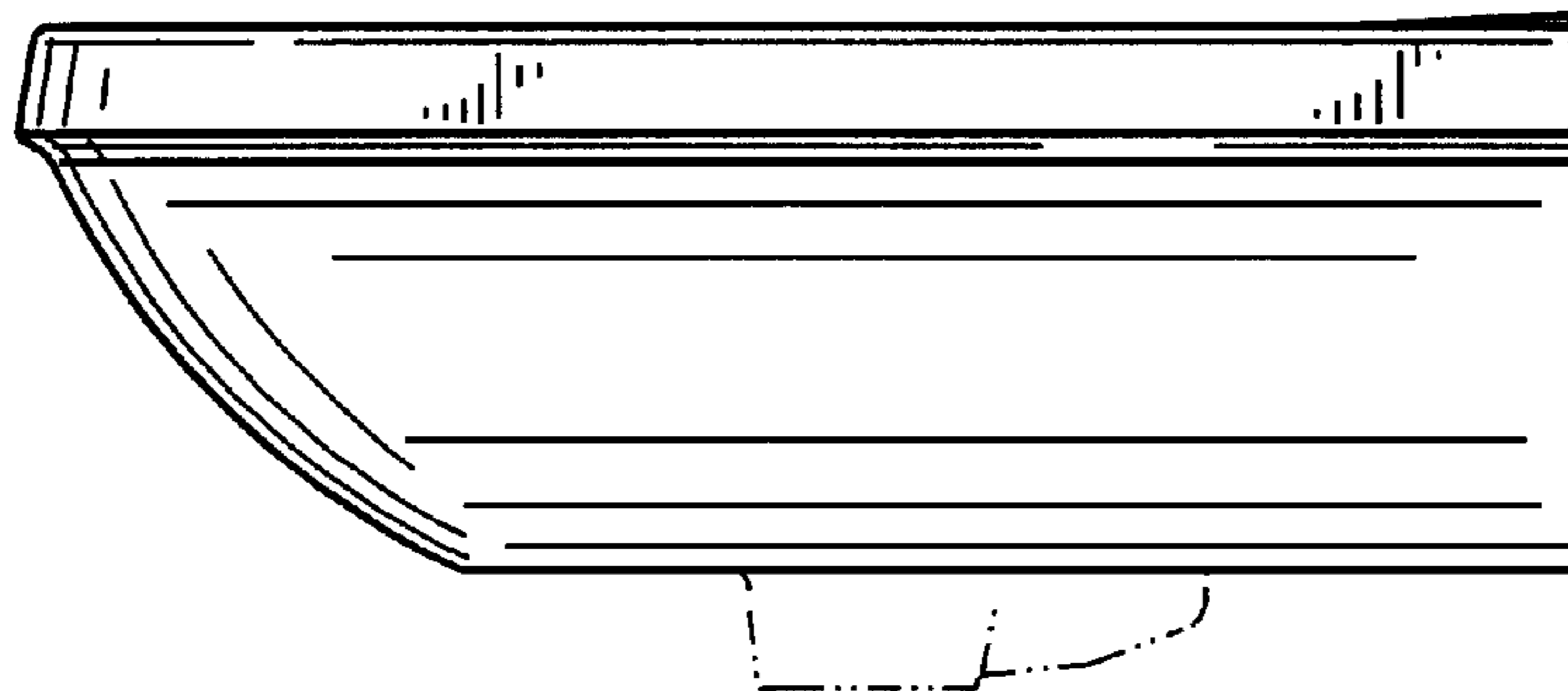
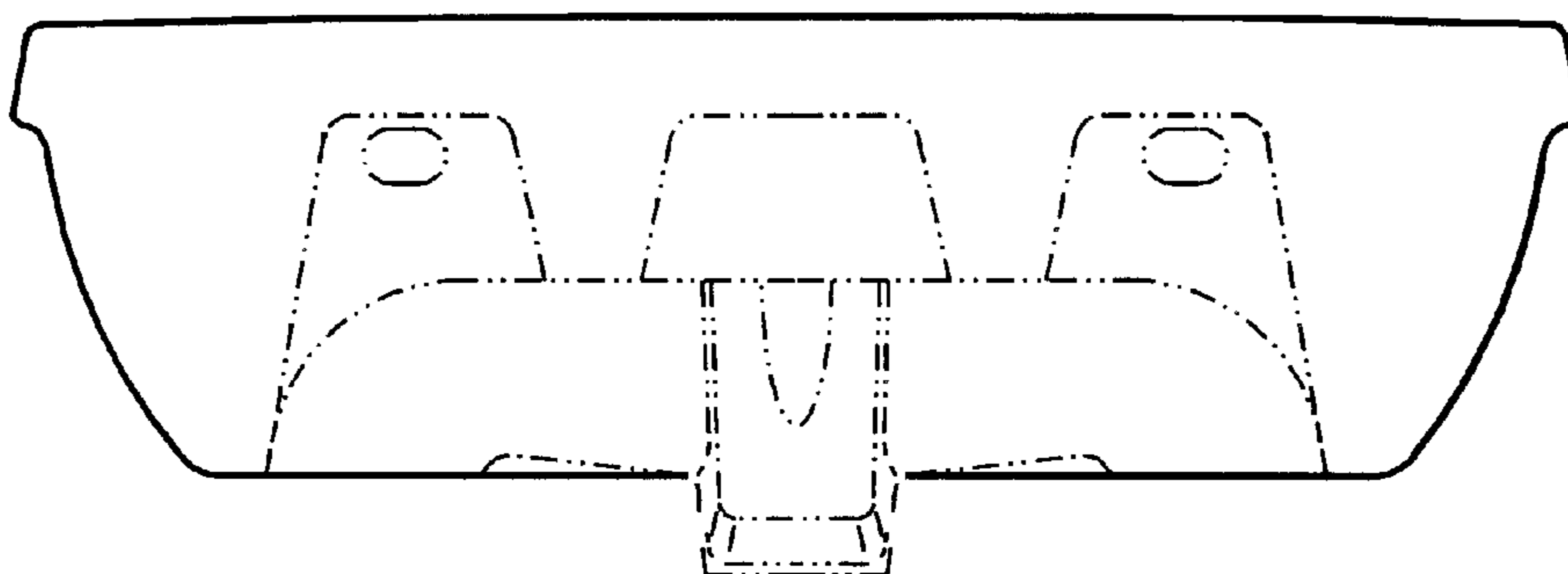


FIG. 5



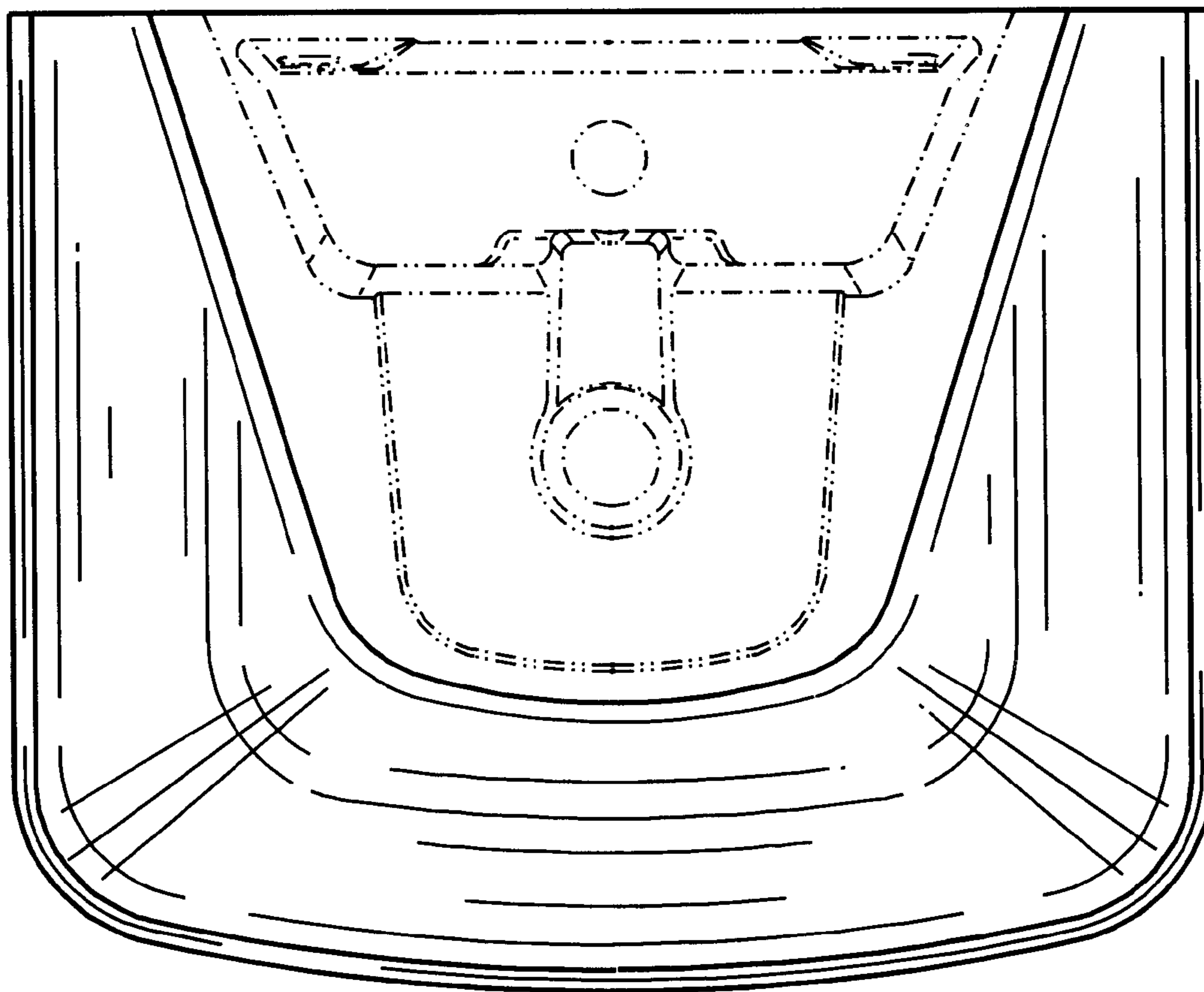
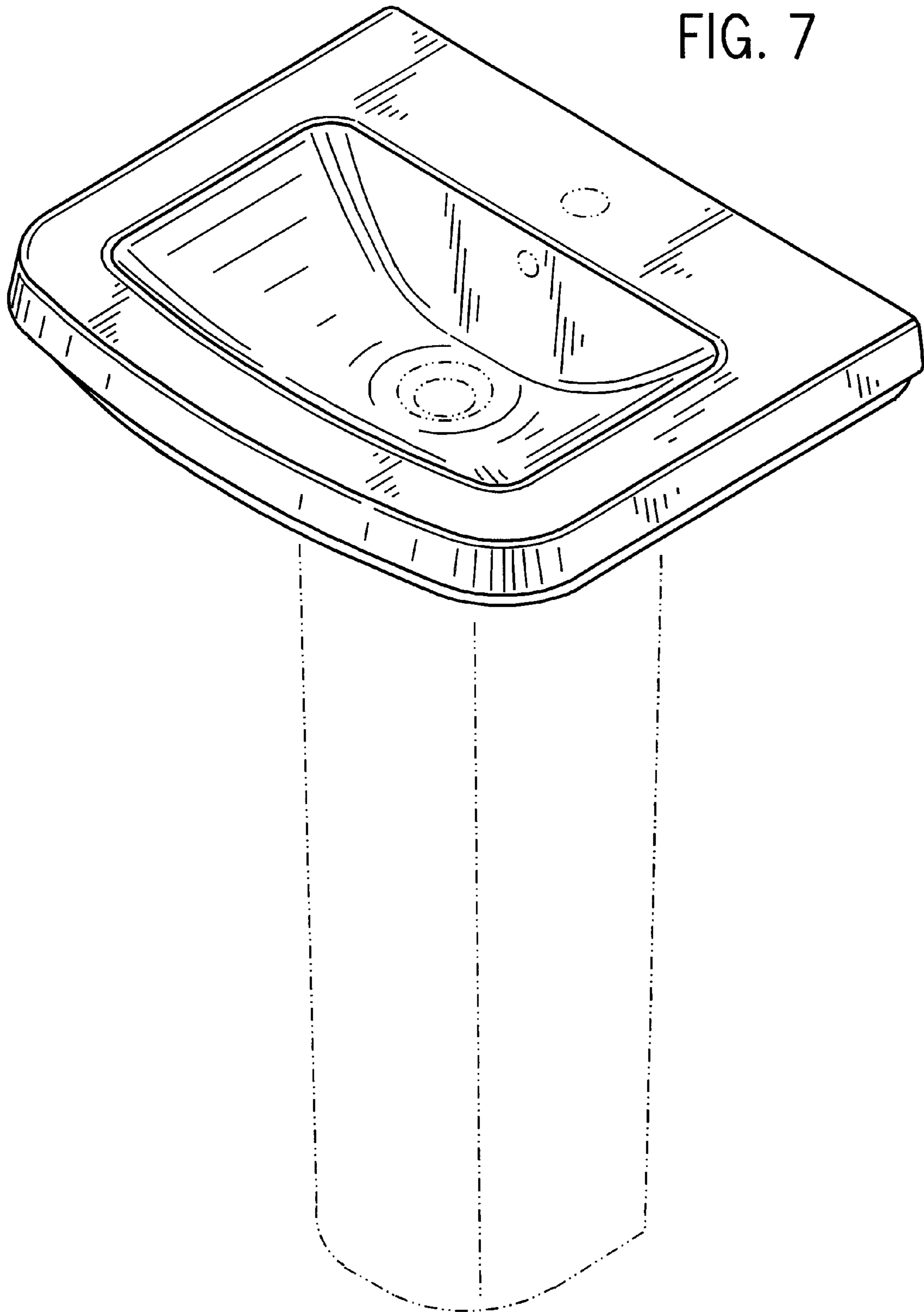


FIG. 6

FIG. 7



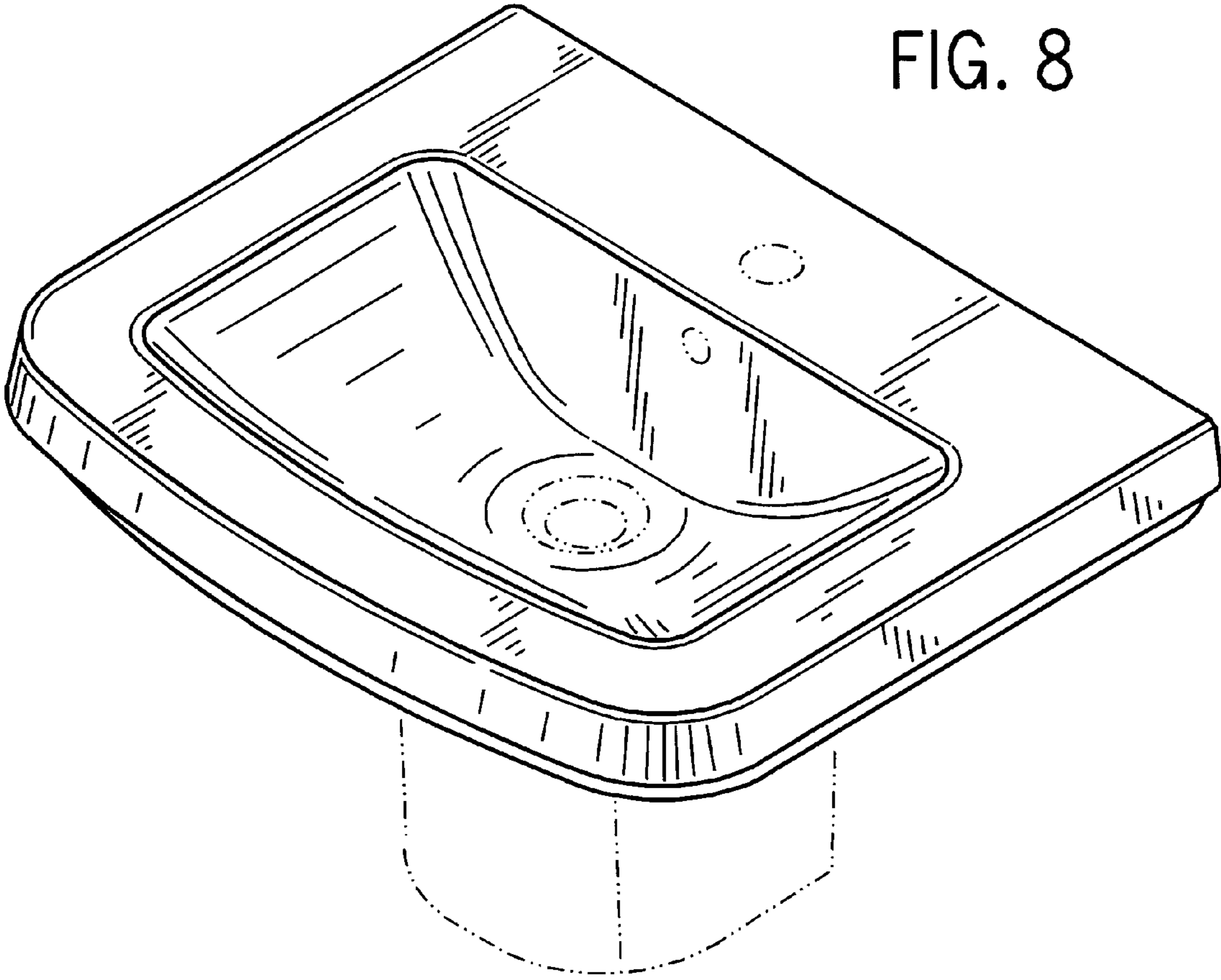


FIG. 8