



US00D538409S

(12) **United States Design Patent**
Gross et al.

(10) **Patent No.:** **US D538,409 S**

(45) **Date of Patent:** **** Mar. 13, 2007**

(54) **SINK**

2,993,088 A * 7/1961 Camp 4/636
D335,332 S * 5/1993 O'Connell D23/271

(75) Inventors: **Wolfgang Gross**, Moehlin (CH); **Jay
Beaumont**, Jenkintown, PA (US);
Christian Bomatter, Melisey (FR)

* cited by examiner

Primary Examiner—Robert A. Delehanty

(73) Assignee: **Niro-Plan AG**, Aarburg (CH)

(74) *Attorney, Agent, or Firm*—Wood, Phillips, Katz, Clark
& Mortimer

(**) Term: **14 Years**

(57) **CLAIM**

(21) Appl. No.: **29/229,155**

The ornamental design for a sink, as shown and described.

(22) Filed: **May 4, 2005**

DESCRIPTION

(51) **LOC (8) Cl.** **23-02**

(52) **U.S. Cl.** **D23/293.1**

(58) **Field of Classification Search** D23/270–271,
D23/273, 284–287, 291, 293.1, 303, 308;
4/619, 624–625, 630, 661, DIG. 15; D21/524
See application file for complete search history.

FIG. 1 is a perspective view taken from the top, front and
right side of a sink showing our new design;

FIG. 2 is a top plan thereof;

FIG. 3 is a front elevation thereof;

FIG. 4 is an elevation of the right side thereof, the left side
thereof being a mirror image of the right side thereof;

FIG. 5 is a bottom plan thereof; and,

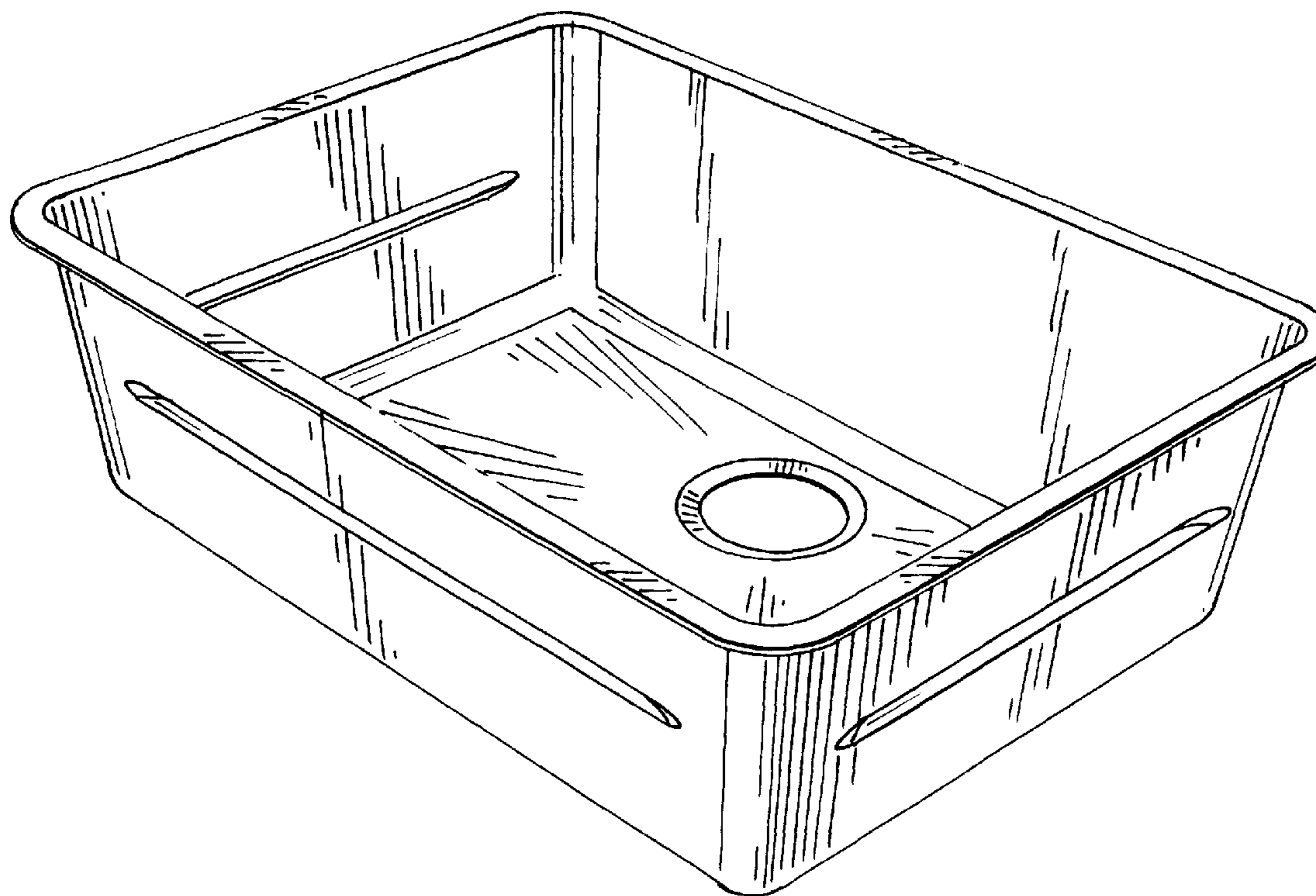
FIG. 6 is a back elevation thereof.

(56) **References Cited**

U.S. PATENT DOCUMENTS

D25,035 S * 12/1895 Ball et al. D23/293.1

1 Claim, 3 Drawing Sheets



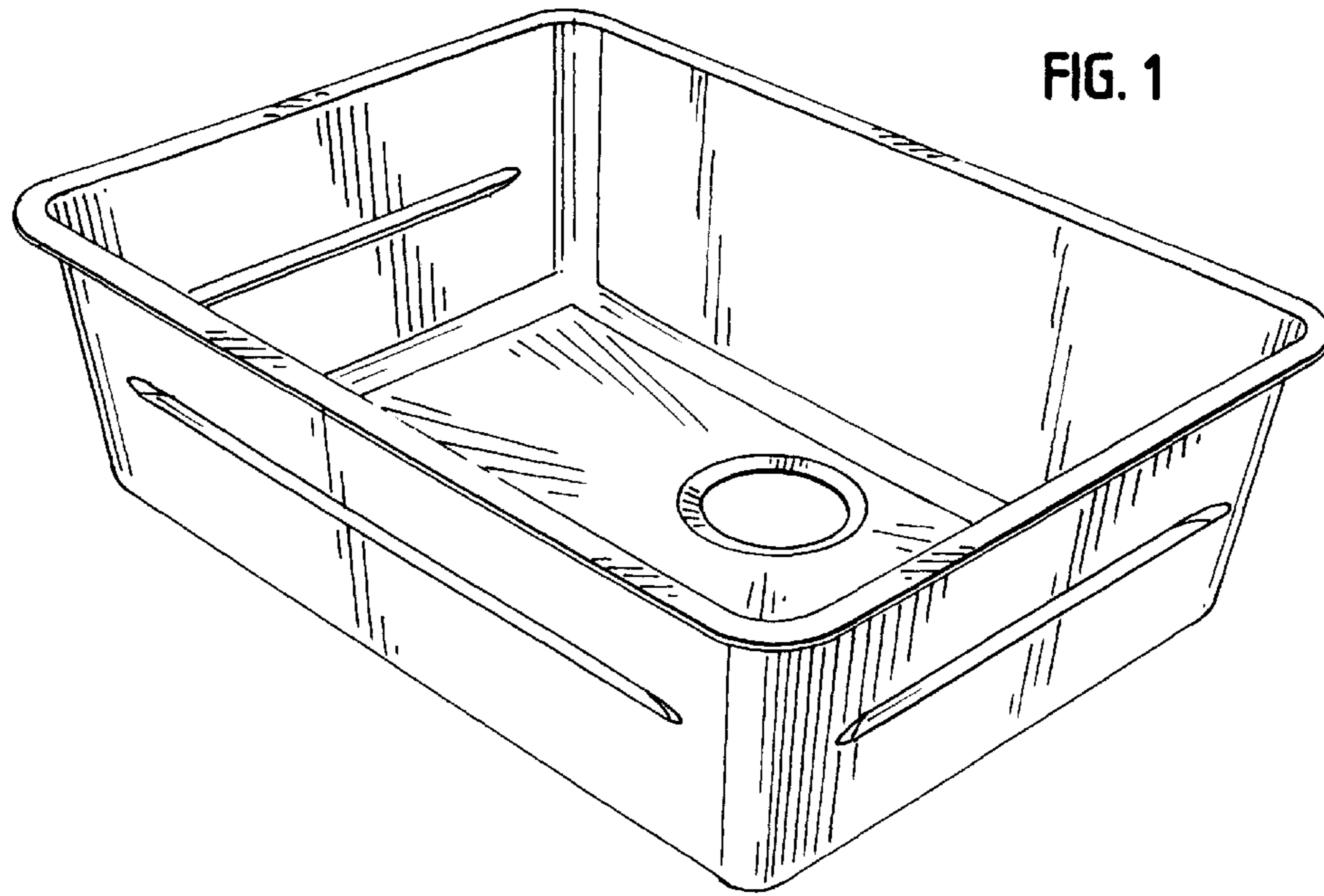


FIG. 1

FIG. 2

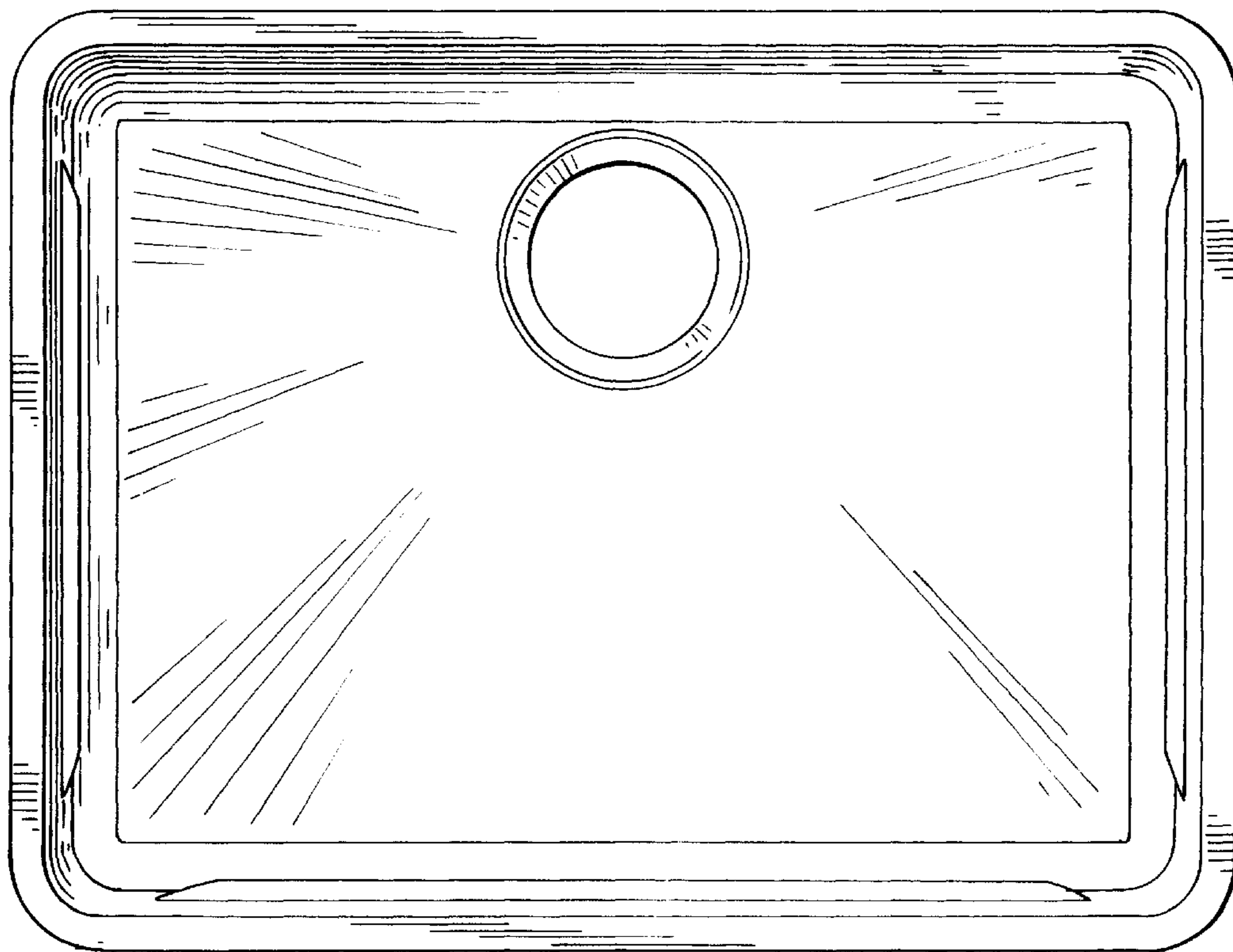


FIG. 3

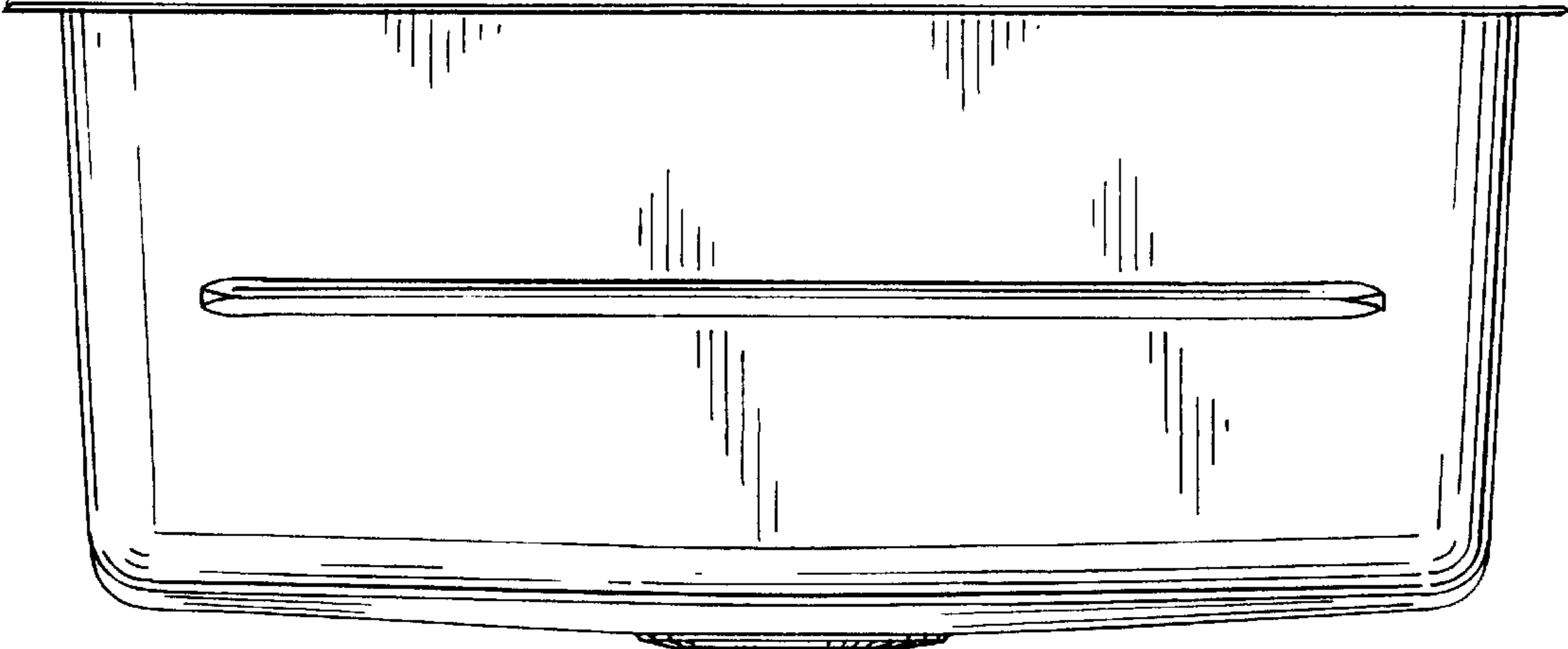


FIG. 4

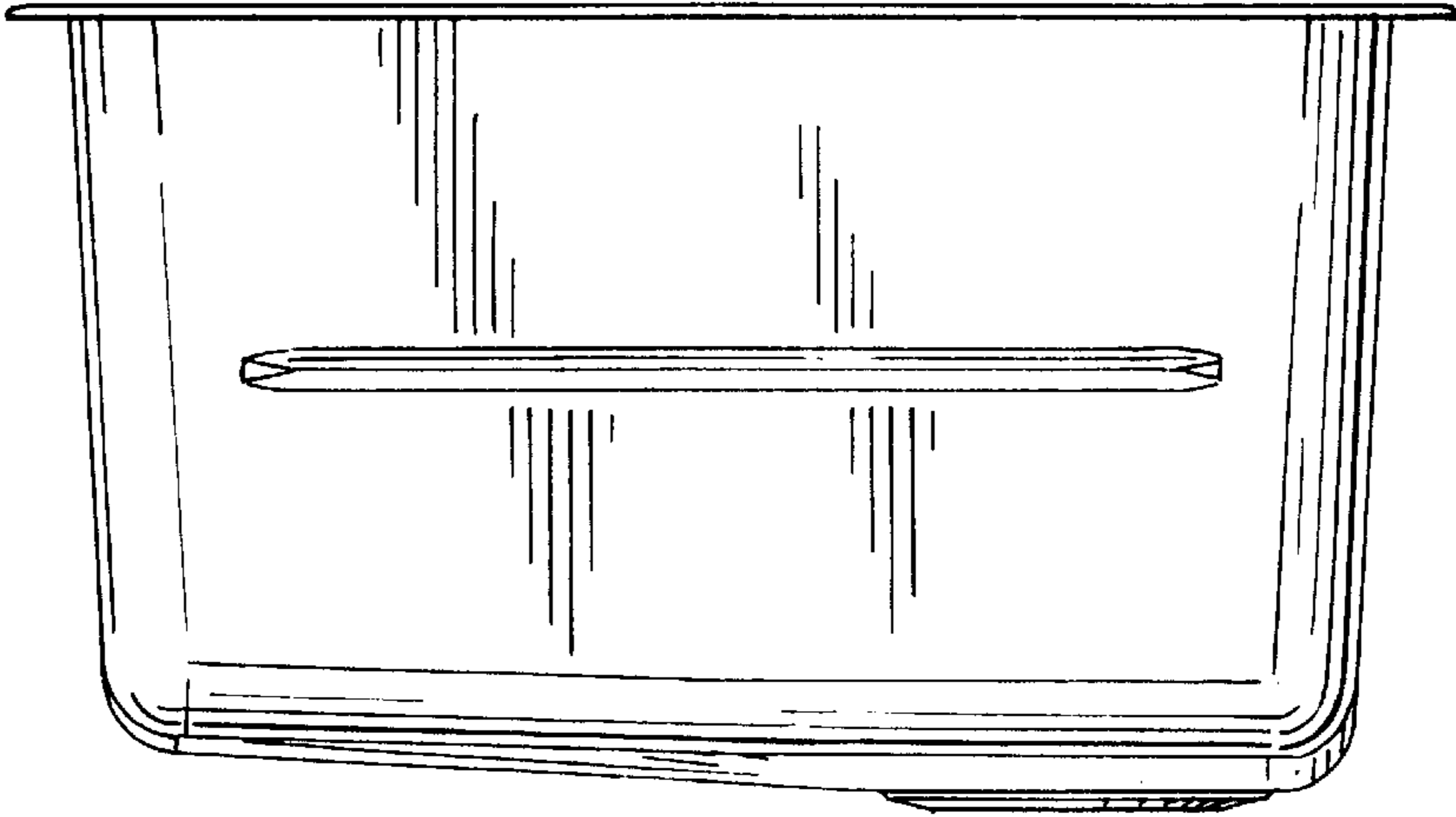


FIG. 5

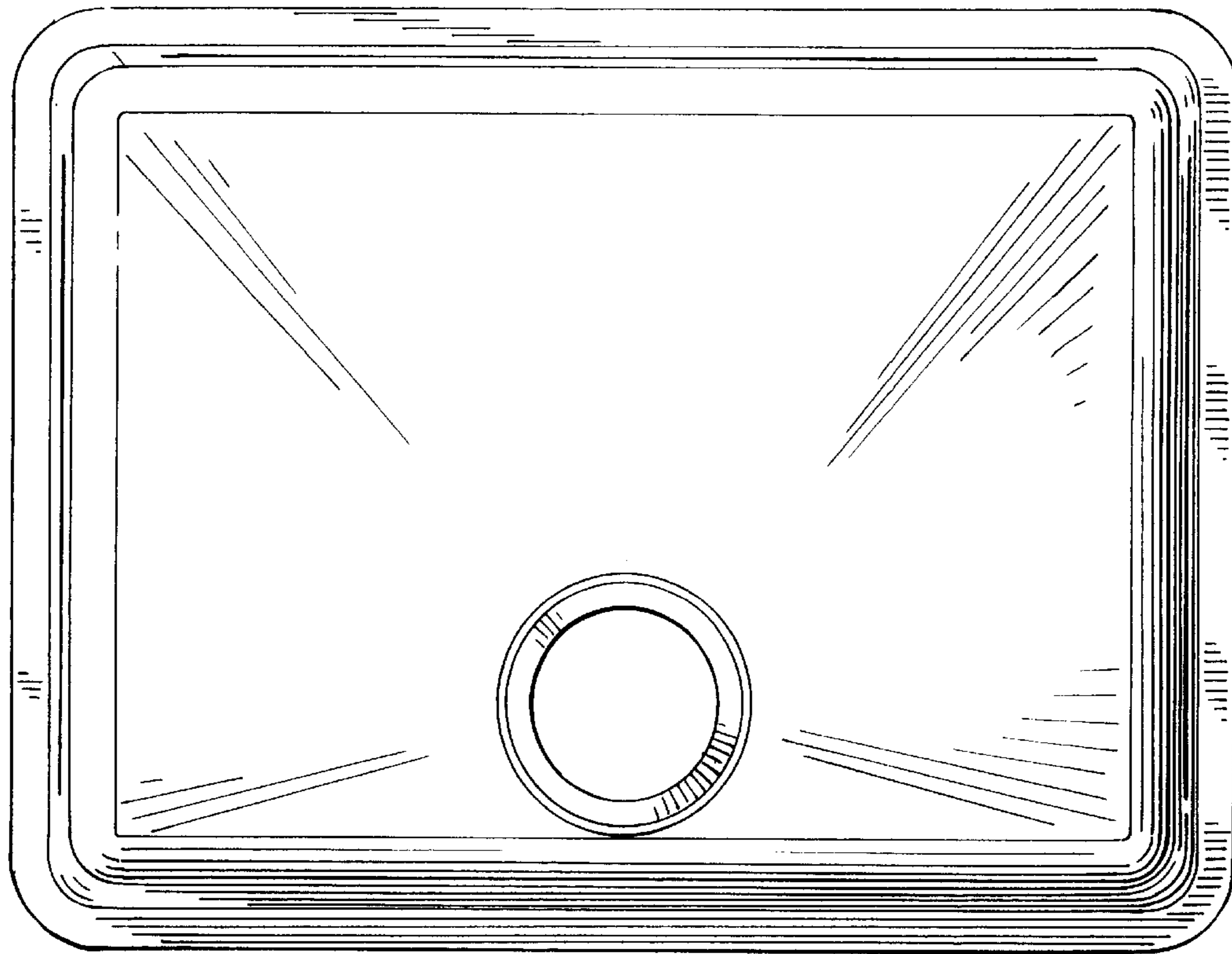


FIG. 6

