



US00D538406S

(12) **United States Design Patent**  
**Mayer**

(10) **Patent No.:** **US D538,406 S**  
(45) **Date of Patent:** **\*\* Mar. 13, 2007**

(54) **VANITY**

(76) **Inventor:** **Robert H. Mayer**, c/o Deco Lav, Inc.,  
424 SW. 12<sup>th</sup> Ave., Deerfield Beach, FL  
(US) 33442

(\*\*) **Term:** **14 Years**

(21) **Appl. No.:** **29/234,692**

(22) **Filed:** **Jul. 20, 2005**

(51) **LOC (8) Cl.** ..... **23-02**

(52) **U.S. Cl.** ..... **D23/286**

(58) **Field of Classification Search** ..... D23/273,  
D23/284-290, 293.1, 303, 308; 4/619-620,  
4/624-625, 630-631, 661; 312/140.1-140.3,  
312/204, 228; D6/398, 432-434, 441, 445-448,  
D6/509-510

See application file for complete search history.

(56) **References Cited**

**U.S. PATENT DOCUMENTS**

6,574,805 B1 \* 6/2003 Liu ..... 4/643  
D500,929 S \* 1/2005 Walker ..... D6/446

**OTHER PUBLICATIONS**

Vanity, undated photograph.

\* cited by examiner

*Primary Examiner*—Robert A. Delehanty

(74) *Attorney, Agent, or Firm*—Fross, Zelnick Lehrman &  
Zissu, P.C.; David I. Greenbaum, Esq.; Lawrence E.  
Apolzon, Esq.

(57) **CLAIM**

The ornamental design for a vanity, as shown and described.

**DESCRIPTION**

FIG. 1 is a front perspective view of a vanity showing my  
new design;

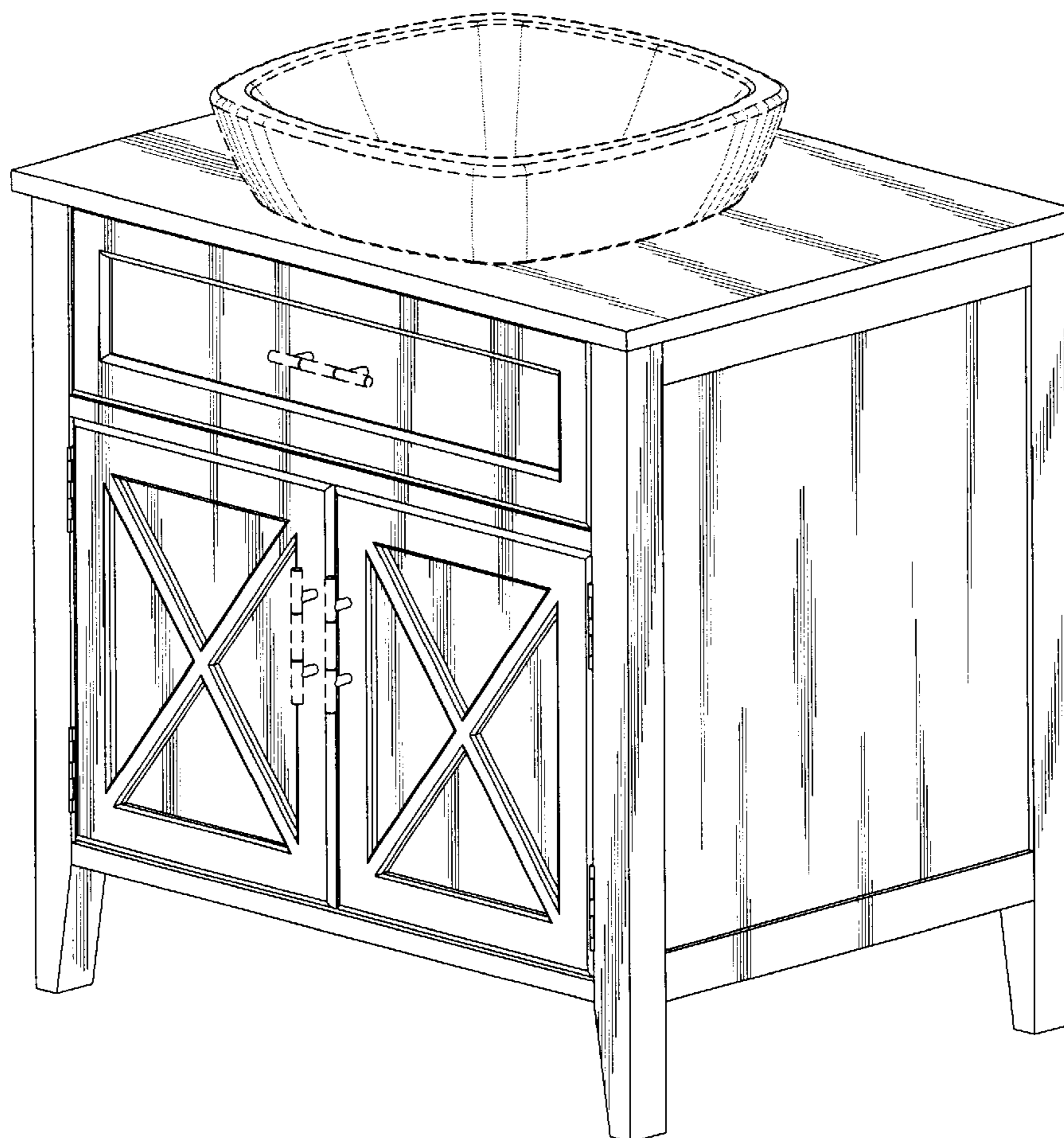
FIG. 2 is a front view of the vanity shown in FIG. 1;

FIG. 3 is a right side view of the vanity shown in FIG. 1  
(with the left side view being a mirror image); and,

FIG. 4 is a top view of the vanity shown in FIG. 1.

The broken line showing of the faucet hole, drain hole, sink,  
and handles is for illustrative purposes only and forms no  
part of the claimed design. The back of the vanity is plain  
and unornamented.

**1 Claim, 4 Drawing Sheets**



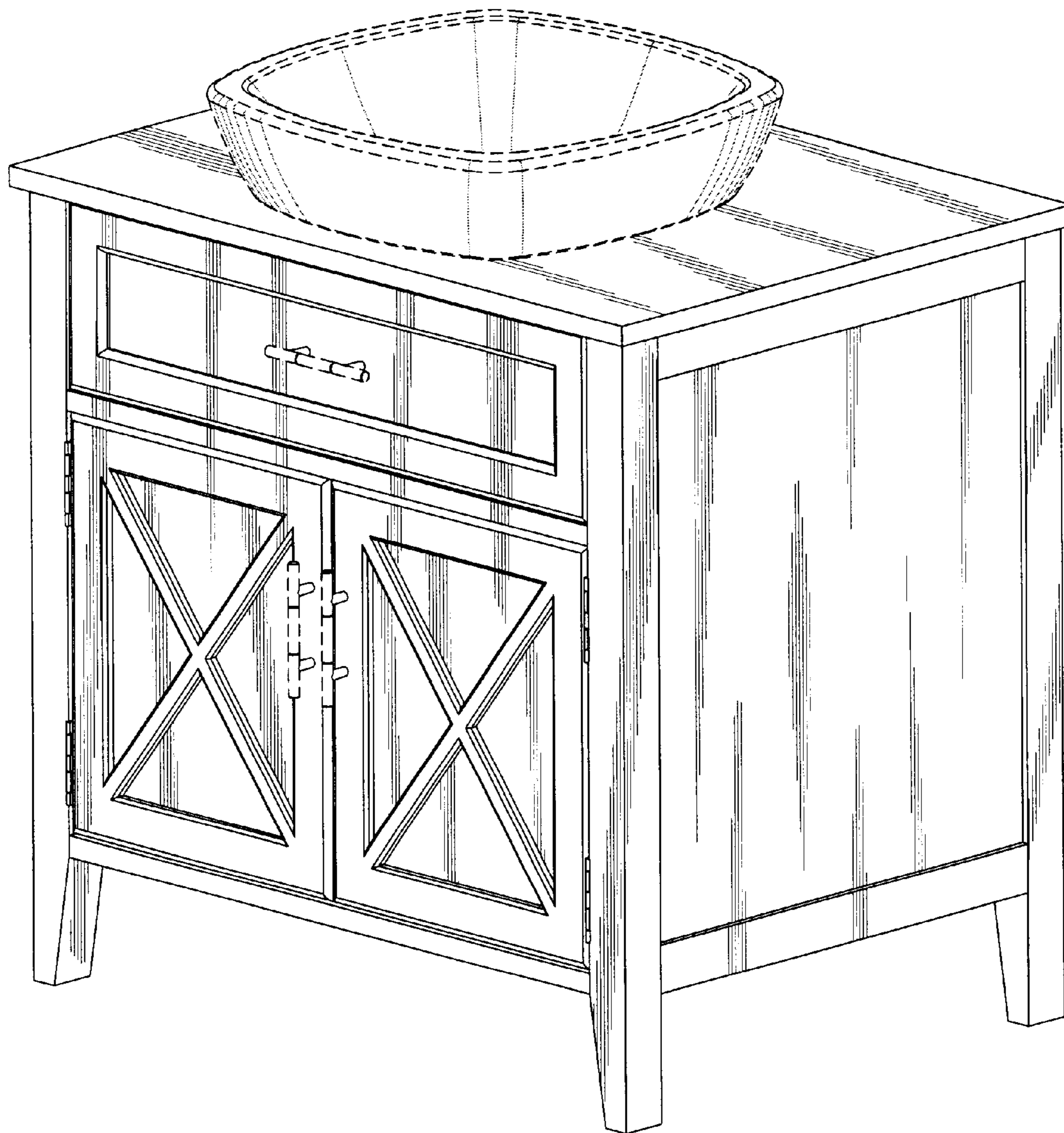


FIG. 1

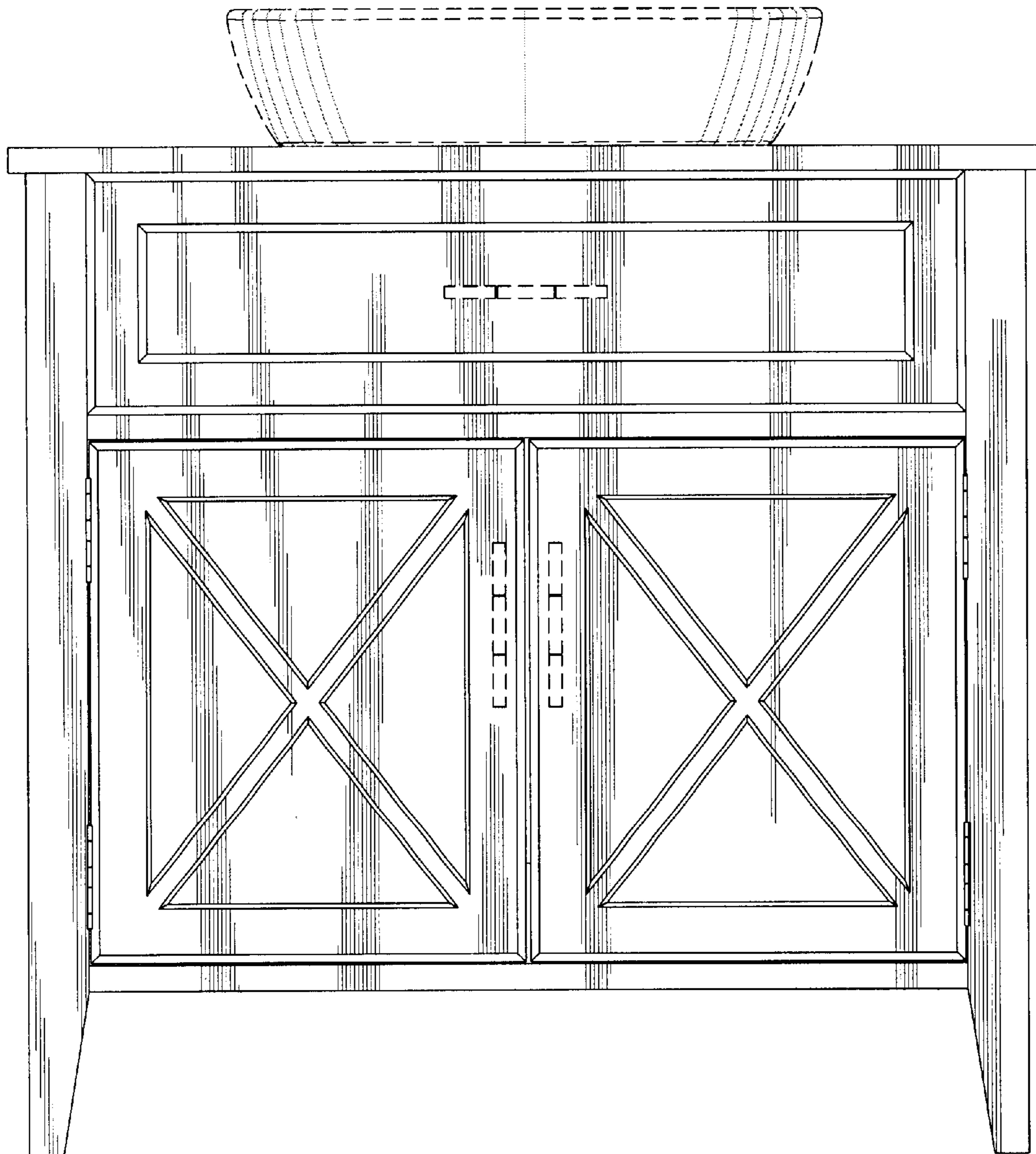


FIG. 2

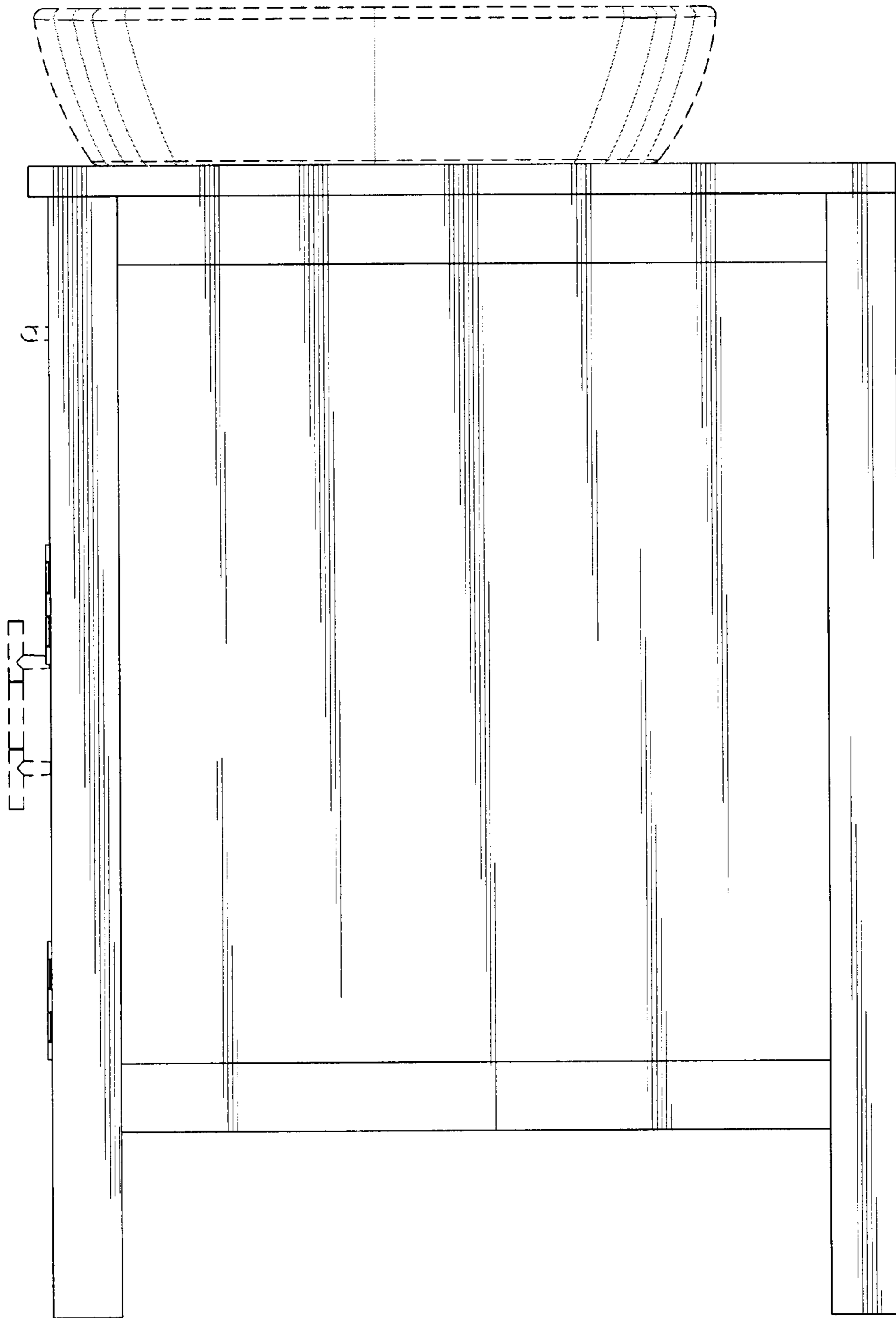


FIG. 3



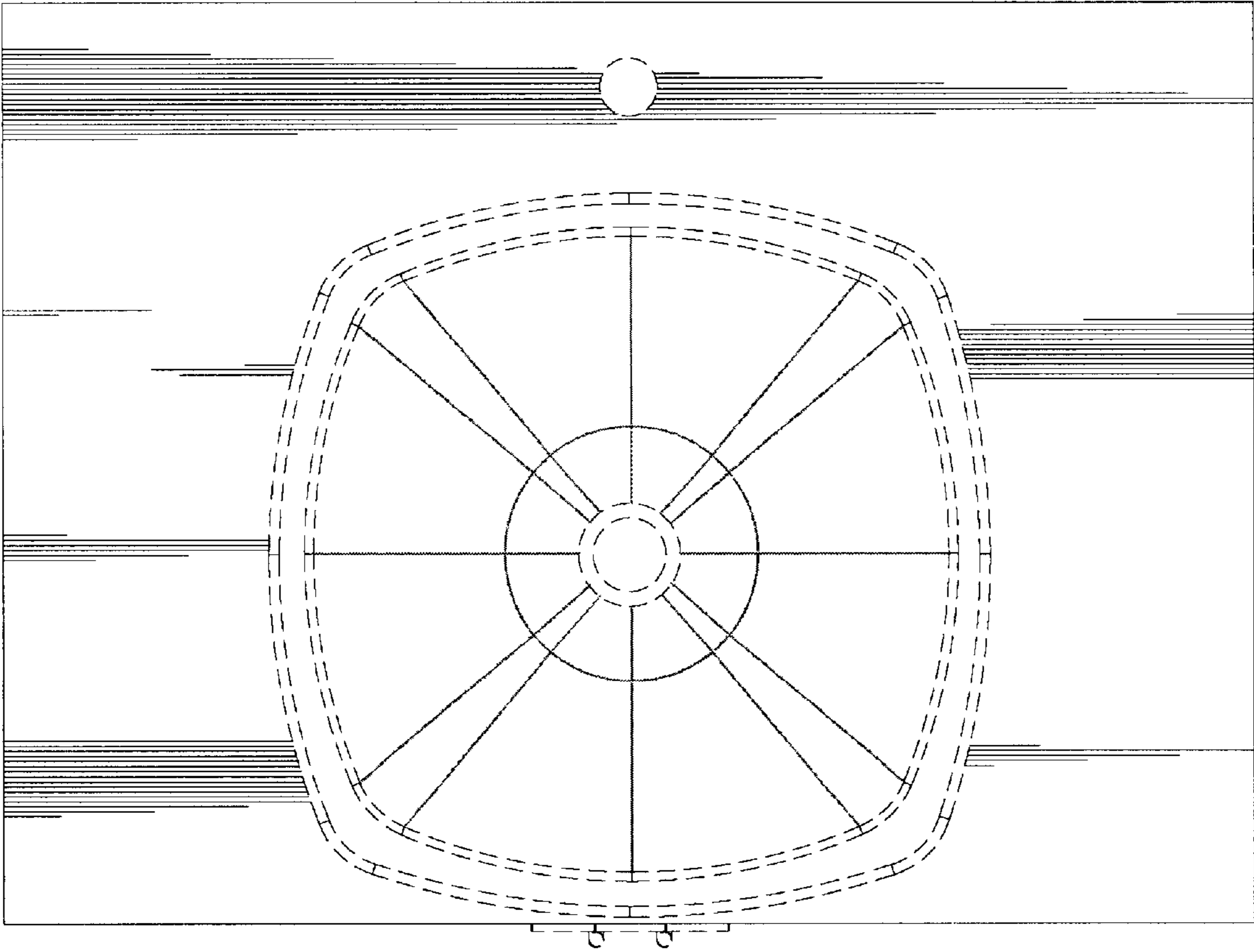


FIG. 4