



US00D538405S

(12) **United States Design Patent**  
**Trépanier**

(10) **Patent No.:** **US D538,405 S**

(45) **Date of Patent:** **\*\* Mar. 13, 2007**

(54) **SINK**

D160,767 S \* 11/1950 Brown ..... D23/291  
D274,281 S \* 6/1984 Argandona ..... D23/271

(75) Inventor: **Gaston Trépanier**, Québec (CA)

\* cited by examiner

(73) Assignee: **Julien Inc.**, Quebec (CA)

*Primary Examiner*—Robert A. Delehanty

(\*\*) Term: **14 Years**

(74) *Attorney, Agent, or Firm*—Sutherland Asbill & Brennan LLP

(21) Appl. No.: **29/223,153**

(22) Filed: **Feb. 10, 2005**

(57) **CLAIM**

The ornamental design for a sink, as shown and described.

(30) **Foreign Application Priority Data**

Aug. 11, 2004 (CA) ..... 108016

**DESCRIPTION**

(51) **LOC (8) Cl.** ..... **23-02**

FIG. 1 is a front perspective view of a sink, showing my new design;

(52) **U.S. Cl.** ..... **D23/286**

(58) **Field of Classification Search** ..... D23/270–271,  
D23/273, 284–287, 291, 293.1, 303, 308;  
4/619, 624–625, 630, 661, DIG. 15; D21/524  
See application file for complete search history.

FIG. 2 is a top plan view thereof;

FIG. 3 is a front elevation view thereof;

FIG. 4 is a right side elevation view thereof;

FIG. 5 is a left side elevation view thereof; and,

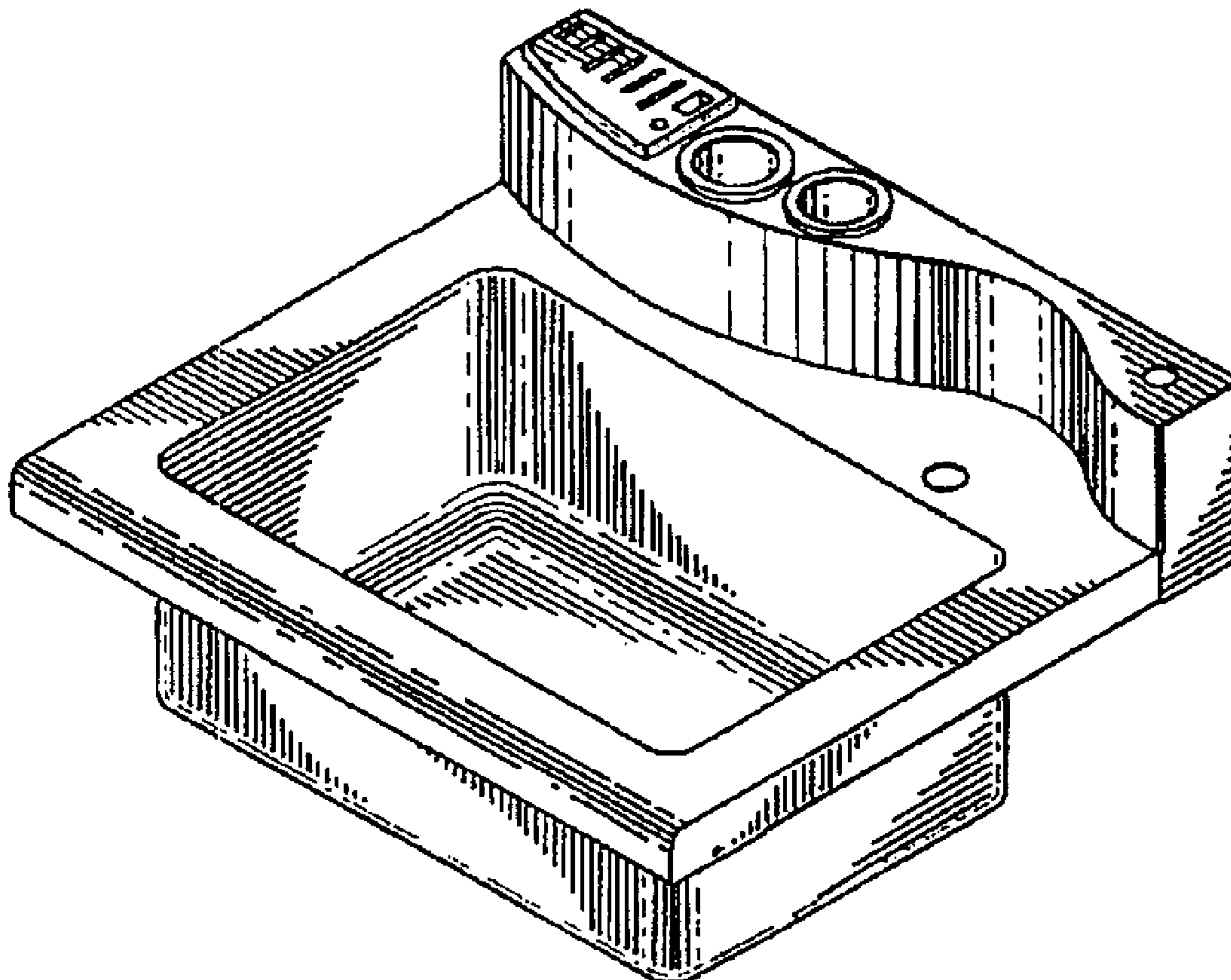
FIG. 6 is a rear elevation view thereof.

(56) **References Cited**

**U.S. PATENT DOCUMENTS**

D82,200 S \* 9/1930 Watrous ..... D23/284

**1 Claim, 3 Drawing Sheets**



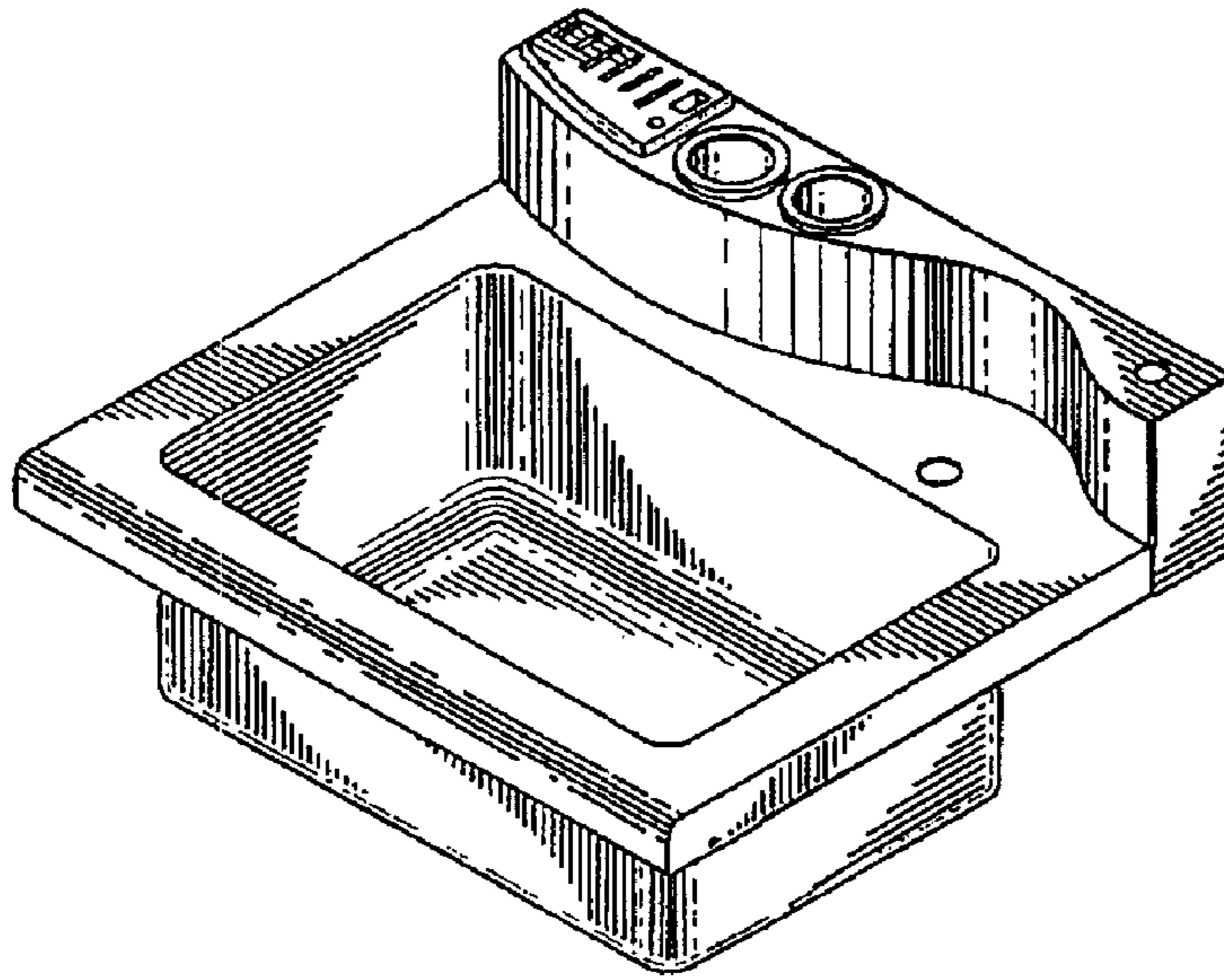


FIG-1

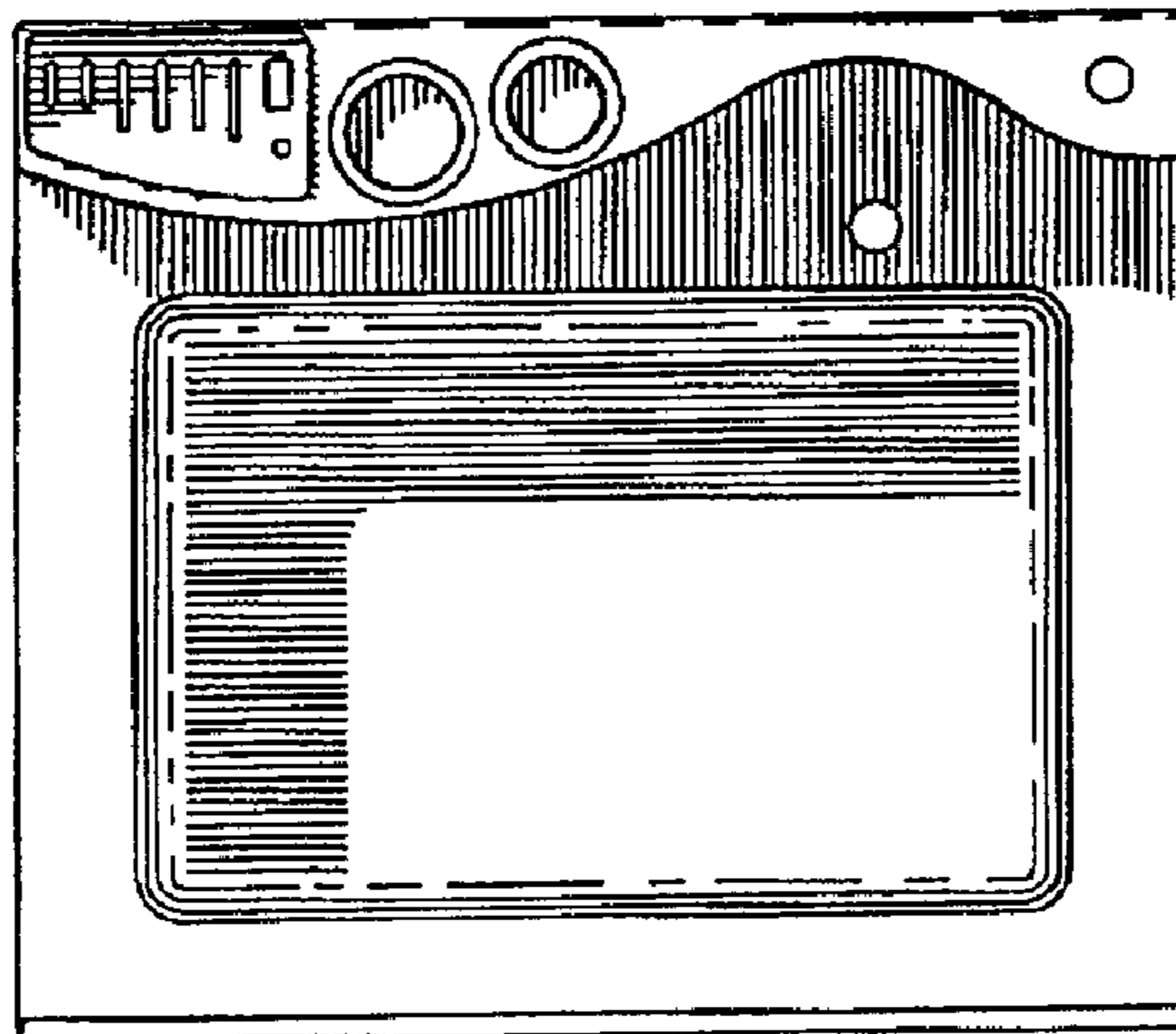


FIG-2

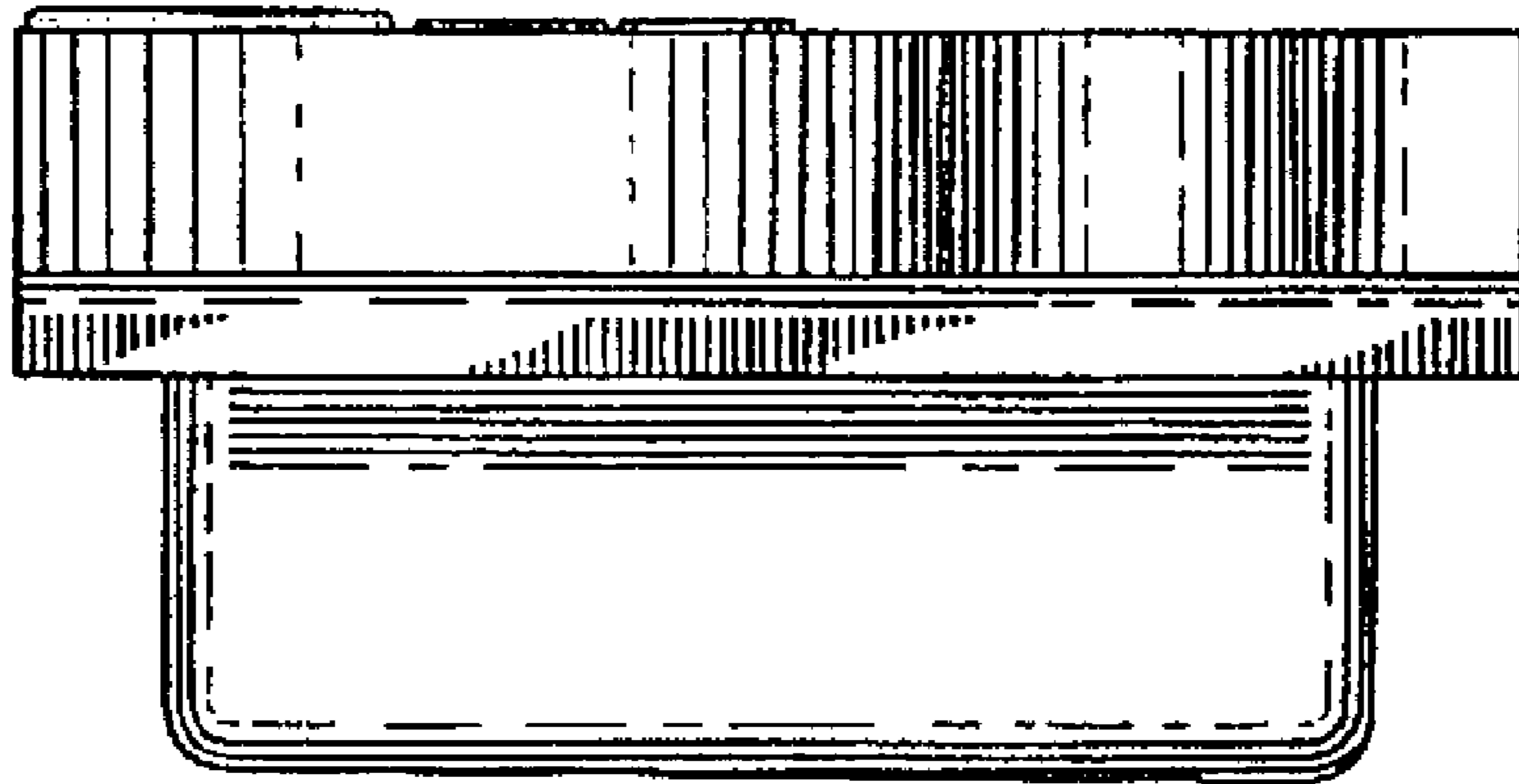


FIG-3

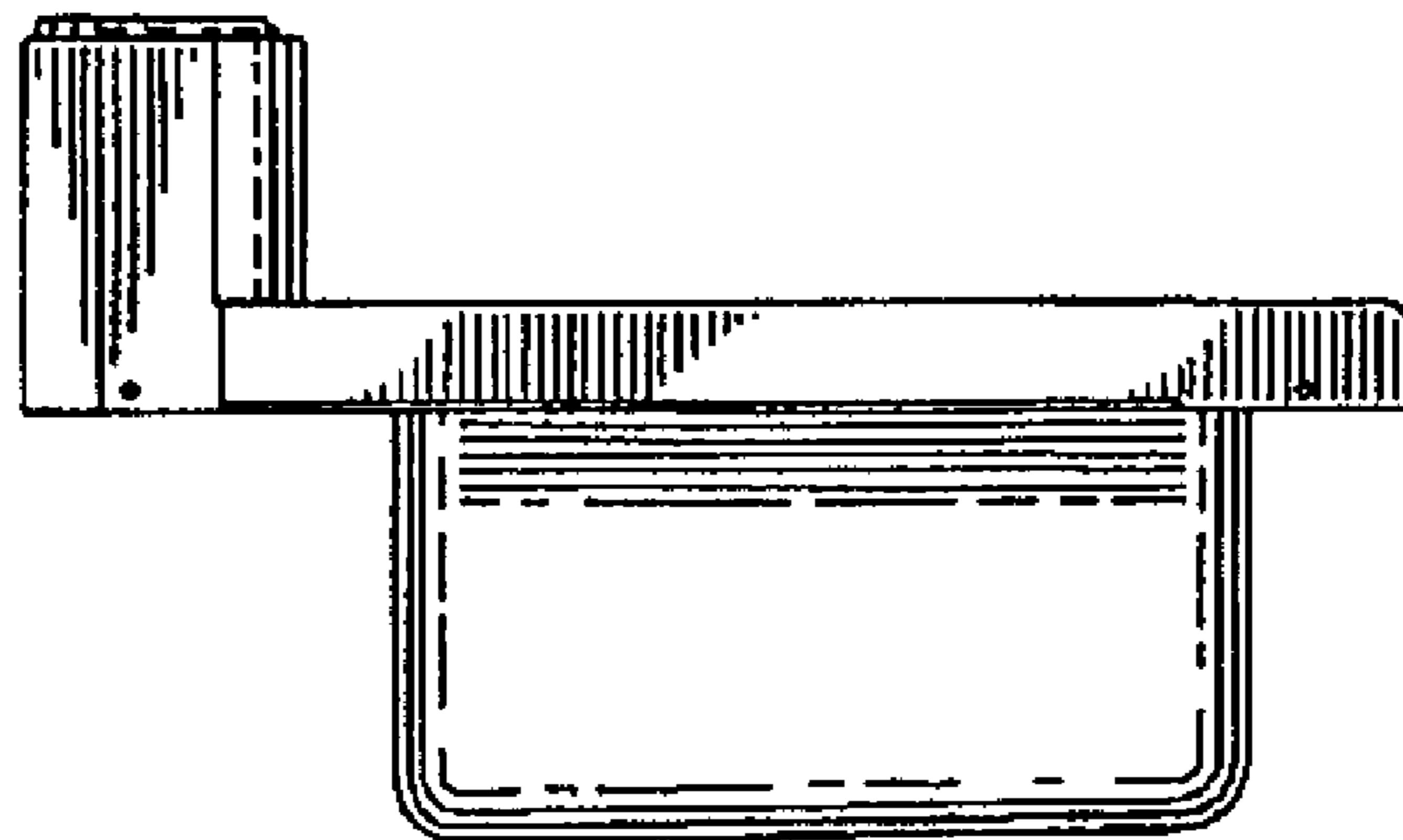


FIG-4

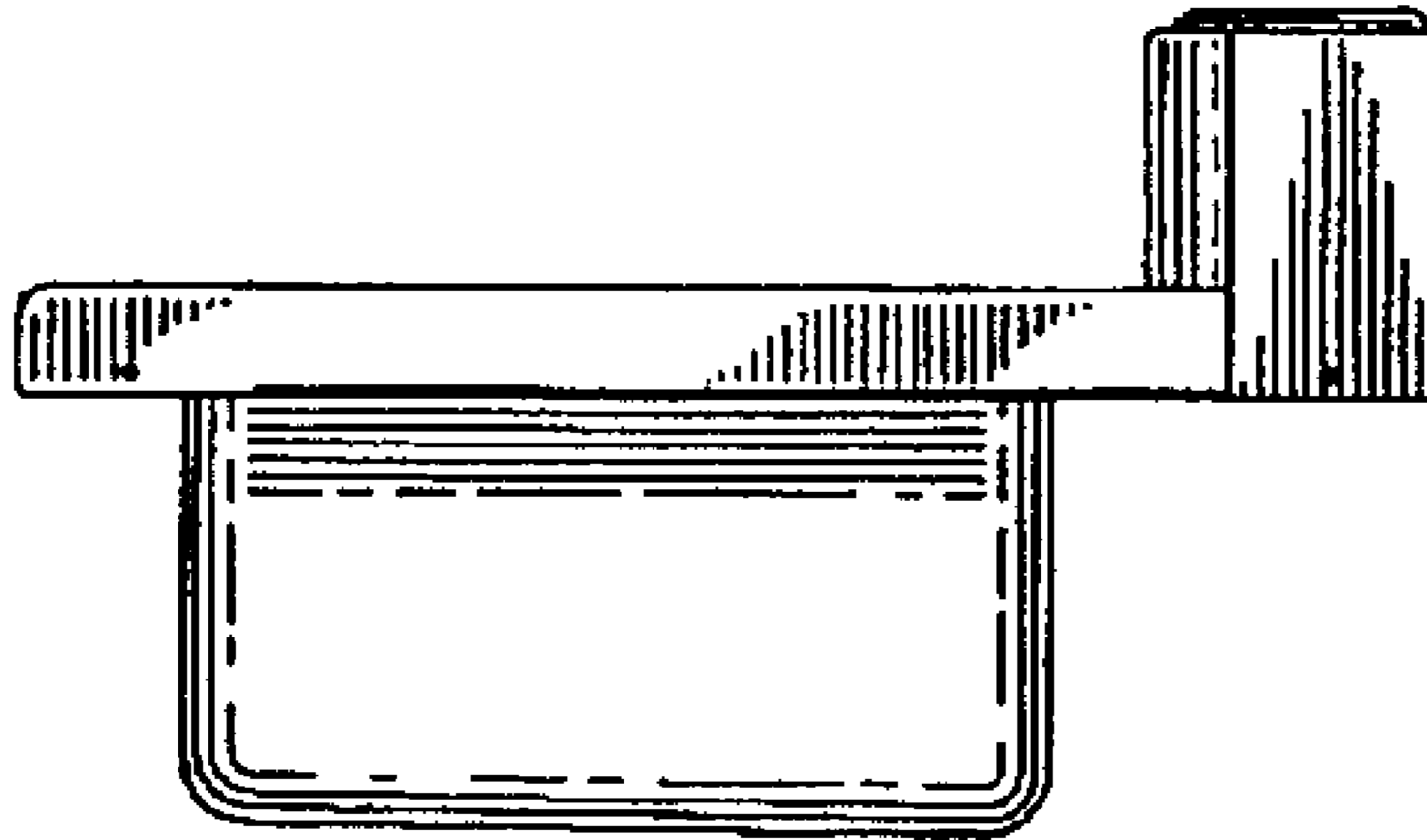


Fig. 5

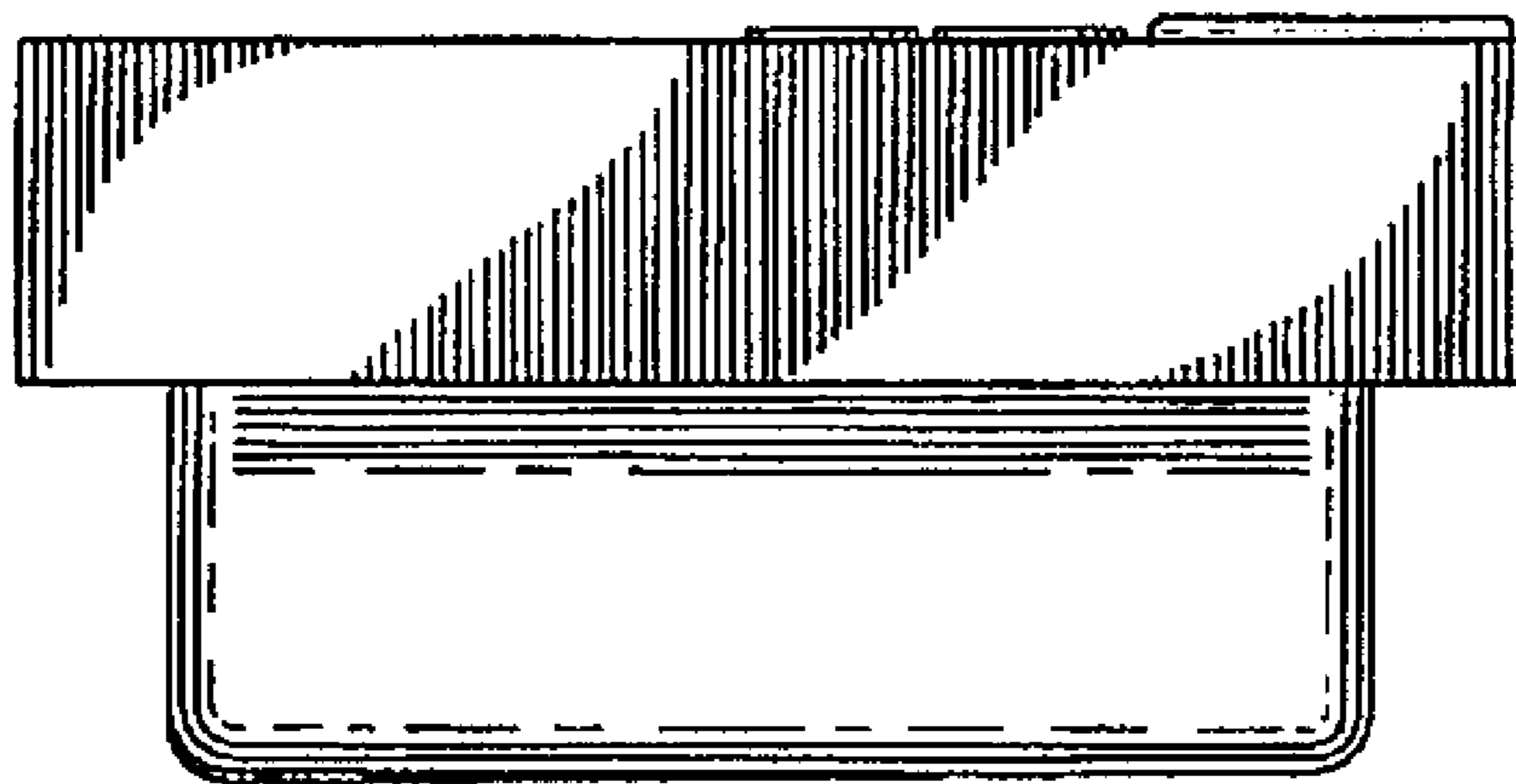


Fig. 6