



US00D538403S

(12) **United States Design Patent**
Sallick et al.

(10) **Patent No.:** **US D538,403 S**

(45) **Date of Patent:** **** Mar. 13, 2007**

(54) **CROSS FAUCET HANDLE**

(75) Inventors: **Peter Sallick**, Westport, CT (US); **Peter Shelton**, New York, NY (US); **Lee Mindel**, New York, NY (US)

(73) Assignee: **WaterWorks, Inc.**, Danbury, CT (US)

(**) Term: **14 Years**

(21) Appl. No.: **29/236,938**

(22) Filed: **Aug. 24, 2005**

(51) **LOC (8) Cl.** **23-01**

(52) **U.S. Cl.** **D23/250**

(58) **Field of Classification Search** D23/238–257;
D8/250–257, 300–322, DIG. 3; 16/110.1;
4/675–678; 137/801

See application file for complete search history.

(56) **References Cited**

U.S. PATENT DOCUMENTS

- D76,995 S * 11/1928 Fraser D23/254
- D86,672 S * 4/1932 Fergusin D23/250
- D317,816 S * 6/1991 Robbins D23/250
- D321,629 S * 11/1991 Hollinger D7/679
- D371,956 S * 7/1996 Steffes D8/352
- D438,601 S * 3/2001 Caplow D23/252
- D451,173 S * 11/2001 Gottwald D23/254

- D466,195 S * 11/2002 Marshall D23/250
- D466,988 S * 12/2002 Marshall D23/250
- D478,374 S * 8/2003 Smith D23/250

* cited by examiner

Primary Examiner—Louis S. Zarfes

Assistant Examiner—Gregory Andoll

(74) *Attorney, Agent, or Firm*—Goodwin Procter, LLP.

(57) **CLAIM**

The ornamental design for a cross faucet handle, as shown and described.

DESCRIPTION

FIG. 1 is a perspective view of the cross faucet handle showing our new design;

FIG. 2 is a side elevational view thereof, the opposite view and views taken 90° from the view of FIG. 2 being the same;

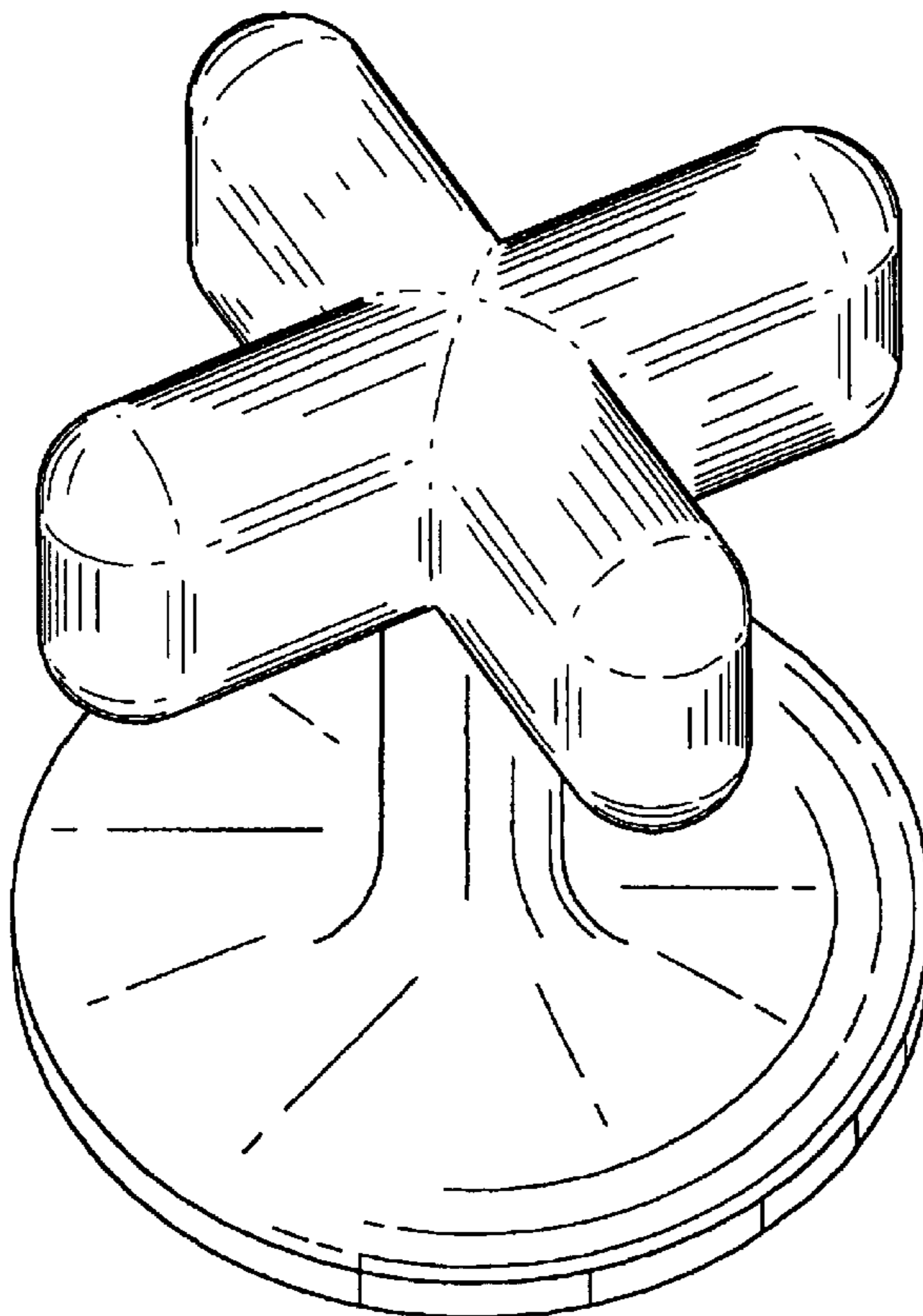
FIG. 3 is another side elevational view thereof, taken 45° from the view of FIG. 2, the opposite view and views taken 90° from the view of FIG. 3 being the same;

FIG. 4 is a top plan view thereof; and,

FIG. 5 is a bottom plan view thereof.

The broken line showing of the opening in FIG. 5 is for illustrative purposes only and forms no part of the claimed design.

1 Claim, 5 Drawing Sheets



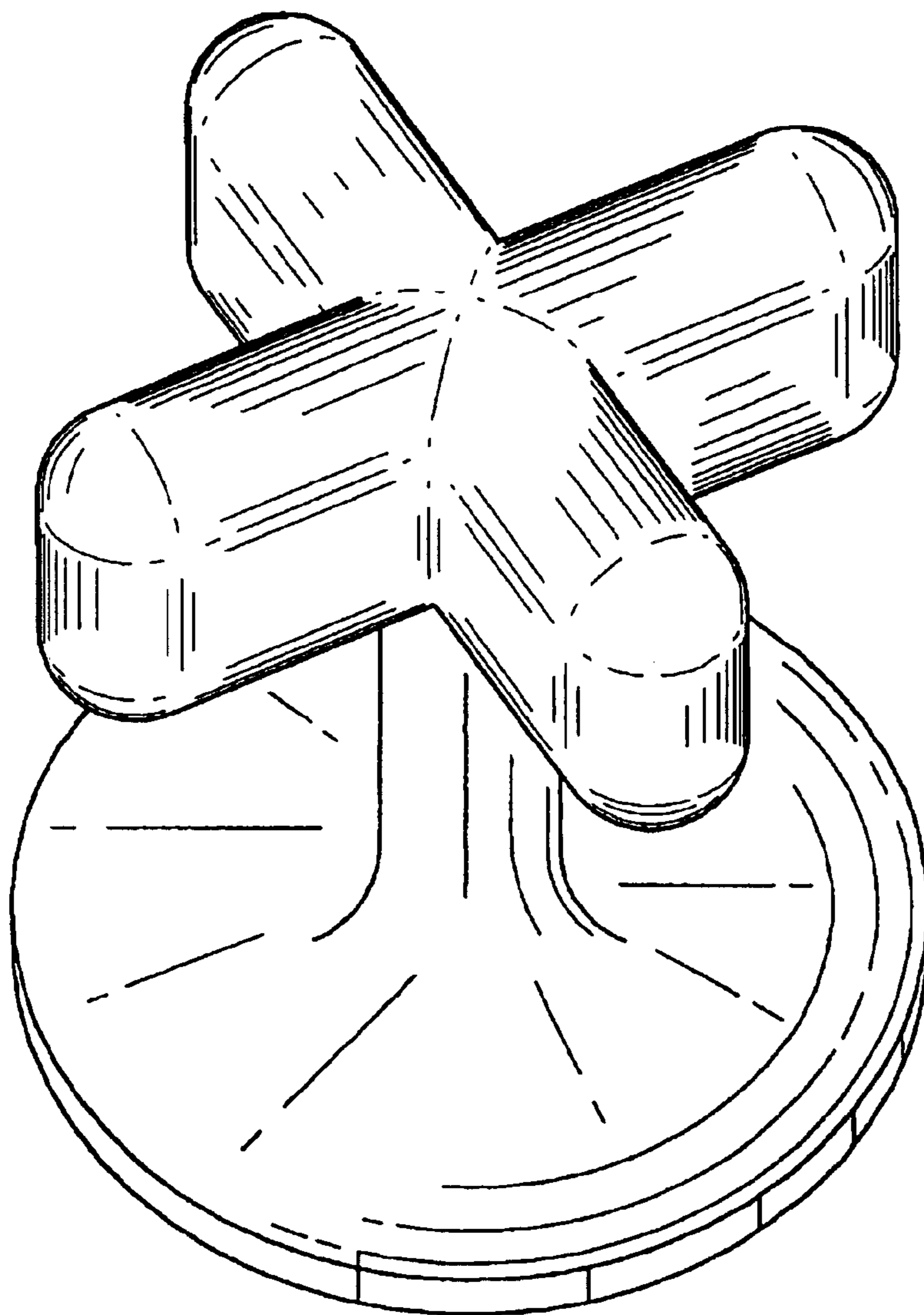


FIG. 1

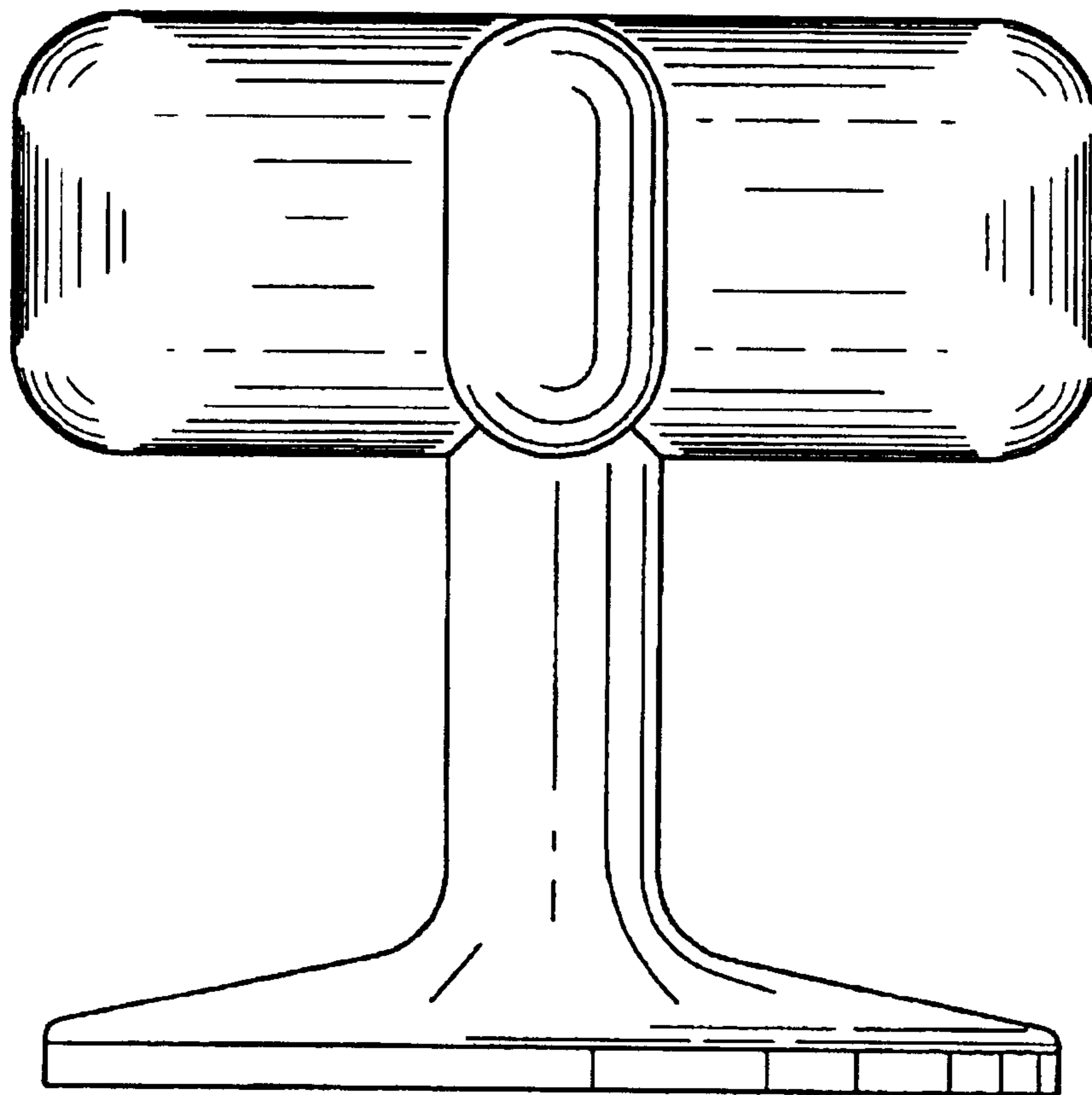


FIG. 2

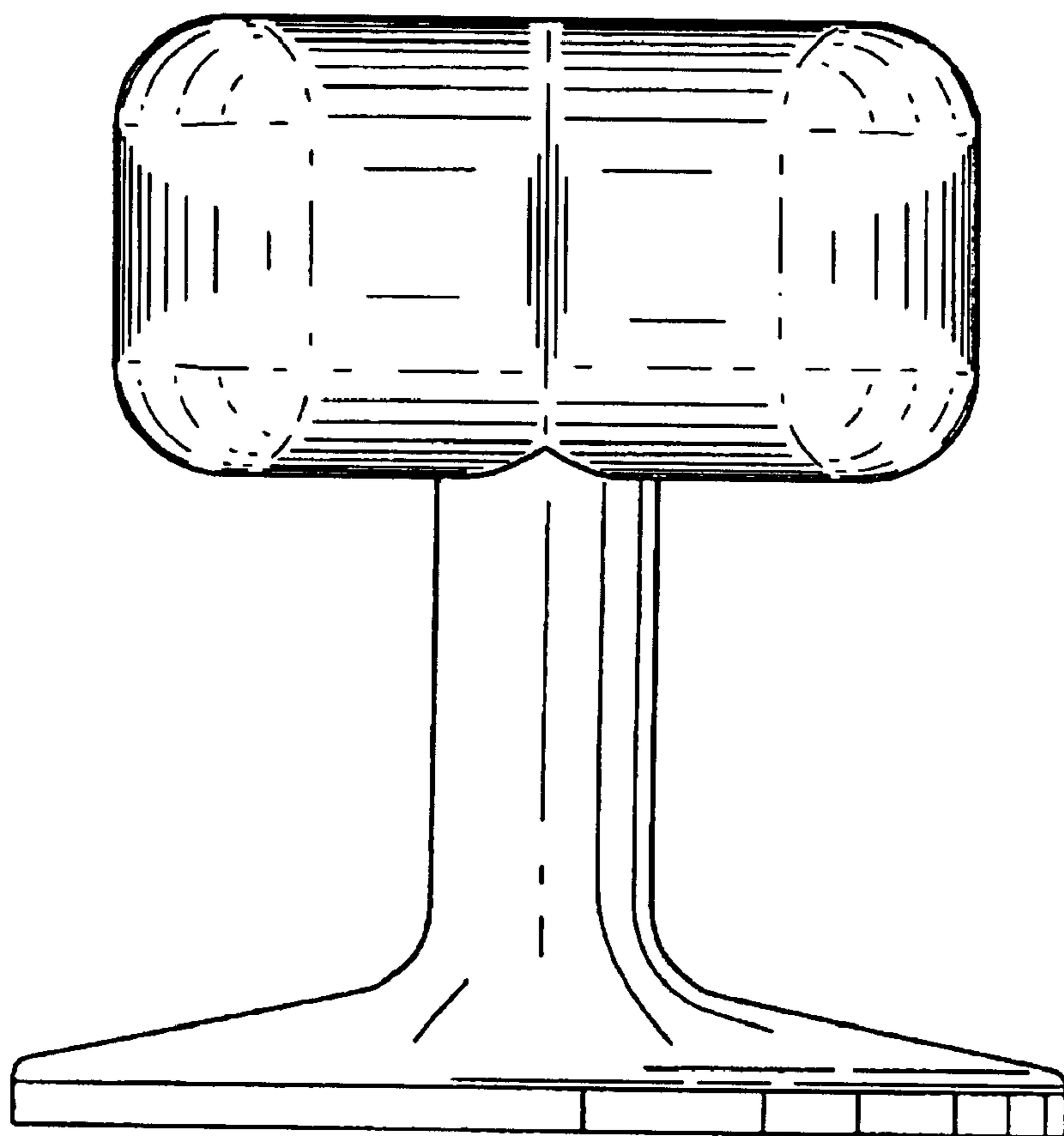


FIG. 3

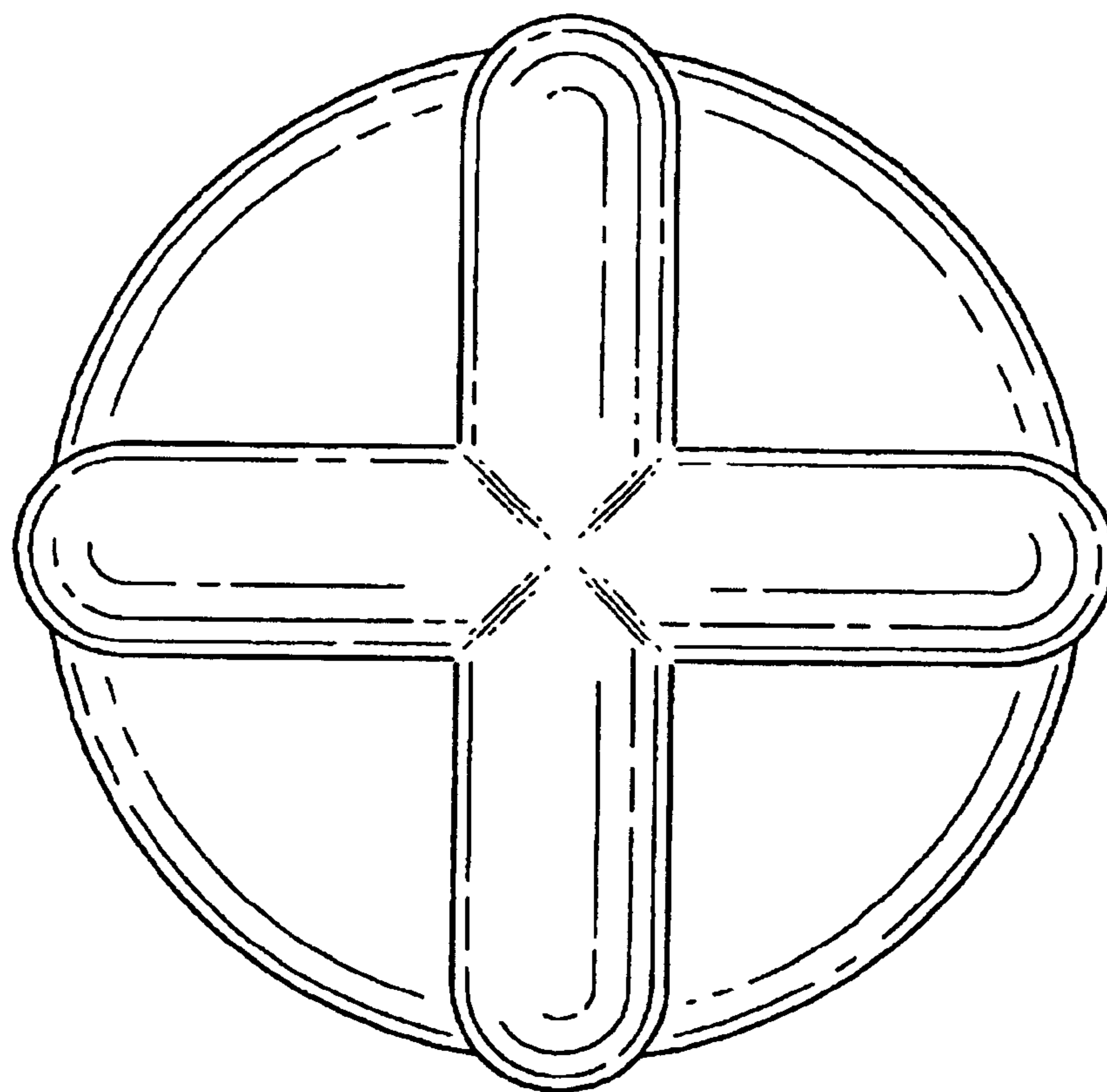


FIG. 4

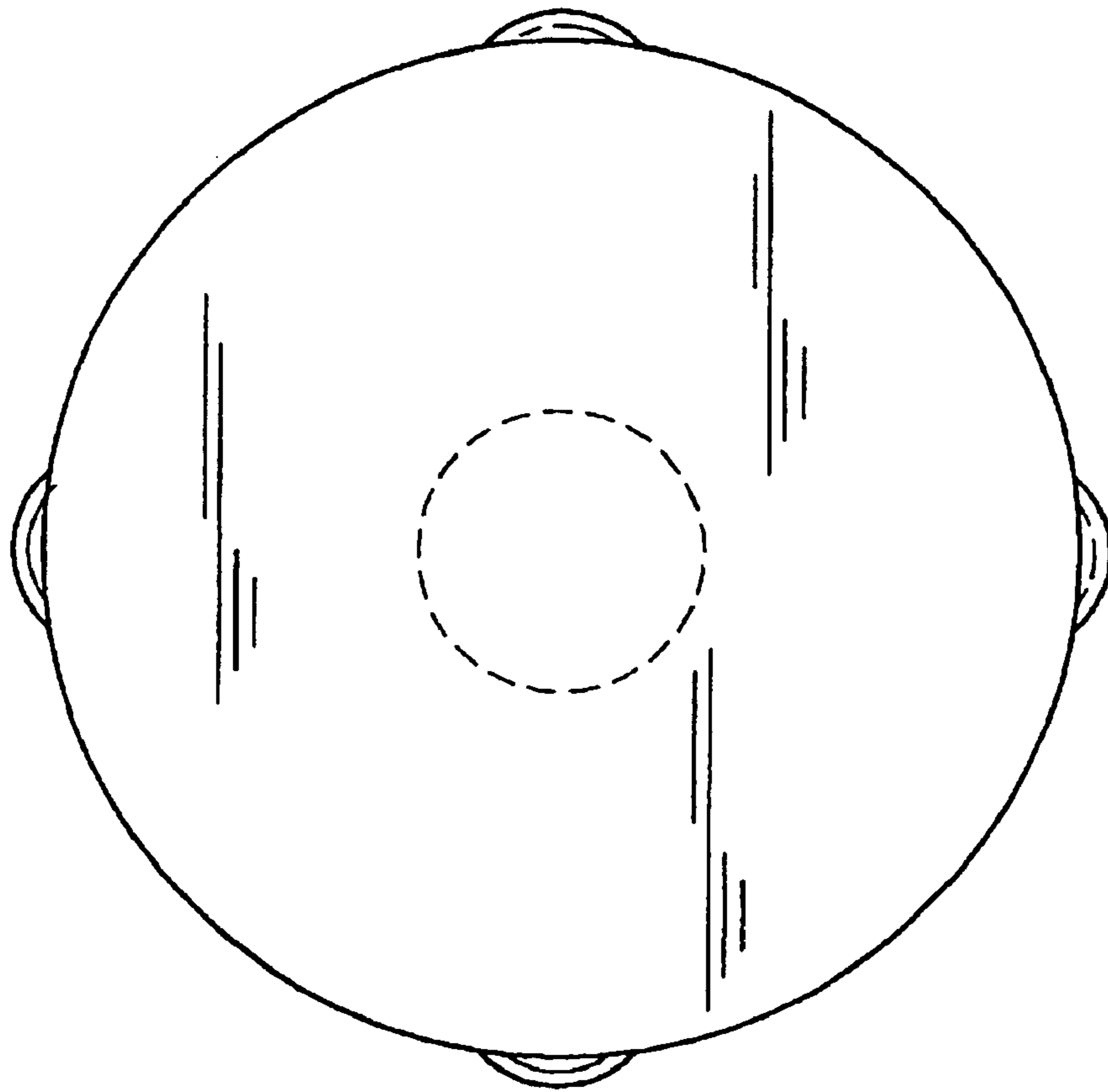


FIG. 5