



US00D538401S

(12) **United States Design Patent**  
**Miyamoto**

(10) **Patent No.:** **US D538,401 S**

(45) **Date of Patent:** **\*\* Mar. 13, 2007**

(54) **FAUCET AND HANDLE SET**

D517,655 S \* 3/2006 Ogata et al. .... D23/241

(75) Inventor: **Takeaki Miyamoto**, Kitakyushu (JP)

\* cited by examiner

(73) Assignee: **Toto Ltd.**, Kitakyushu (JP)

*Primary Examiner*—Louis S. Zarfes

*Assistant Examiner*—Gregory Andoll

(\*\*) Term: **14 Years**

(74) *Attorney, Agent, or Firm*—Birch Stewart, Kolasch & Birch, LLP

(21) Appl. No.: **29/255,842**

(57) **CLAIM**

(22) Filed: **Mar. 14, 2006**

The ornamental design for a faucet and handle set, as shown and described.

(51) **LOC (8) Cl.** ..... **23-01**

**DESCRIPTION**

(52) **U.S. Cl.** ..... **D23/241; D23/242**

FIG. 1 is a perspective view of the top, front and right side of a faucet and handle set showing my new design;

(58) **Field of Classification Search** ..... D23/238–257;  
4/675–678; 137/801

FIG. 2 is a front view thereof;

FIG. 3 is a rear view thereof;

See application file for complete search history.

FIG. 4 is a left side view thereof;

FIG. 5 is a right side view thereof;

(56) **References Cited**

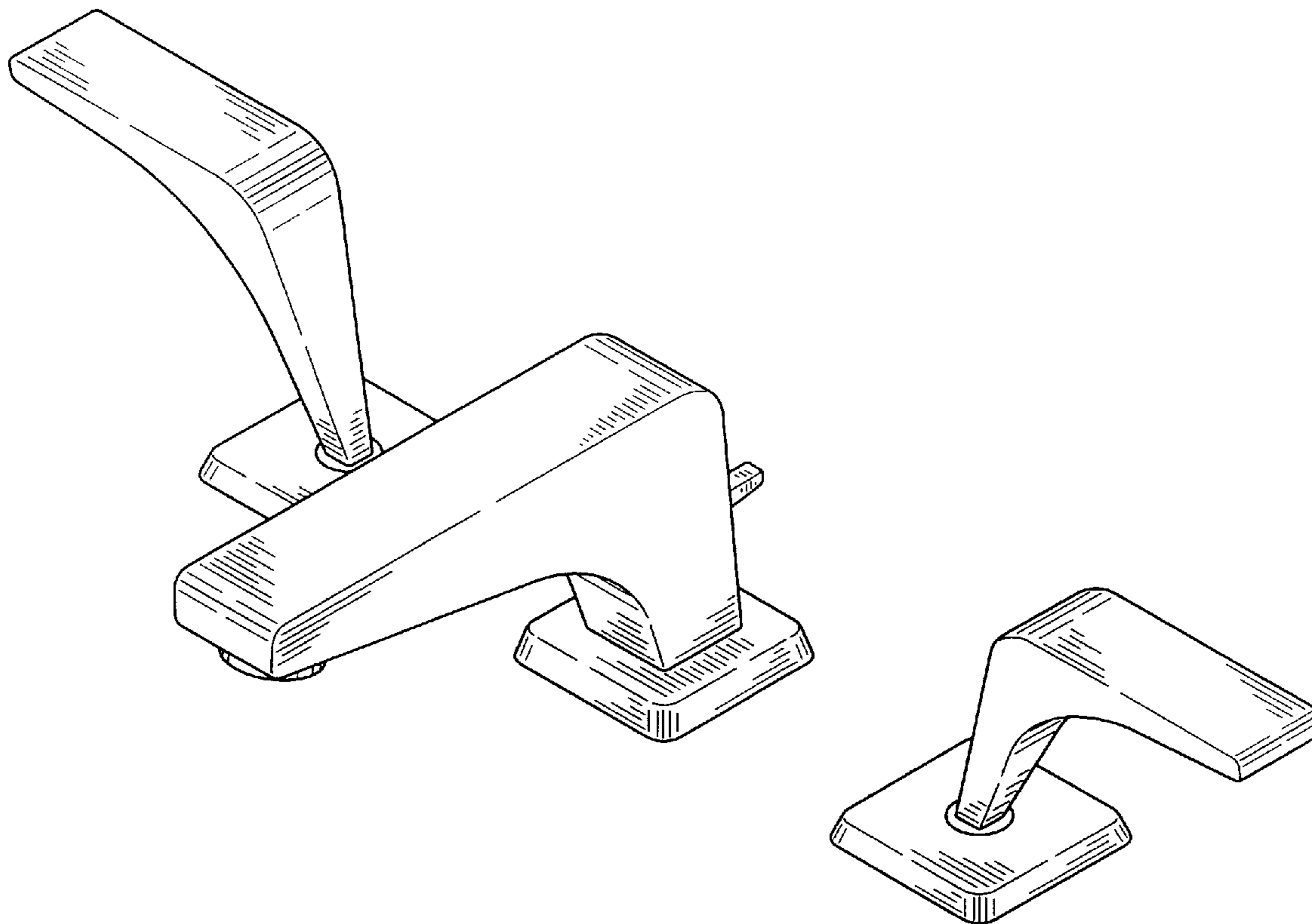
FIG. 6 is a top plan view thereof; and,

FIG. 7 is a bottom view thereof.

**U.S. PATENT DOCUMENTS**

D286,562 S \* 11/1986 Yost ..... D23/242

**1 Claim, 6 Drawing Sheets**



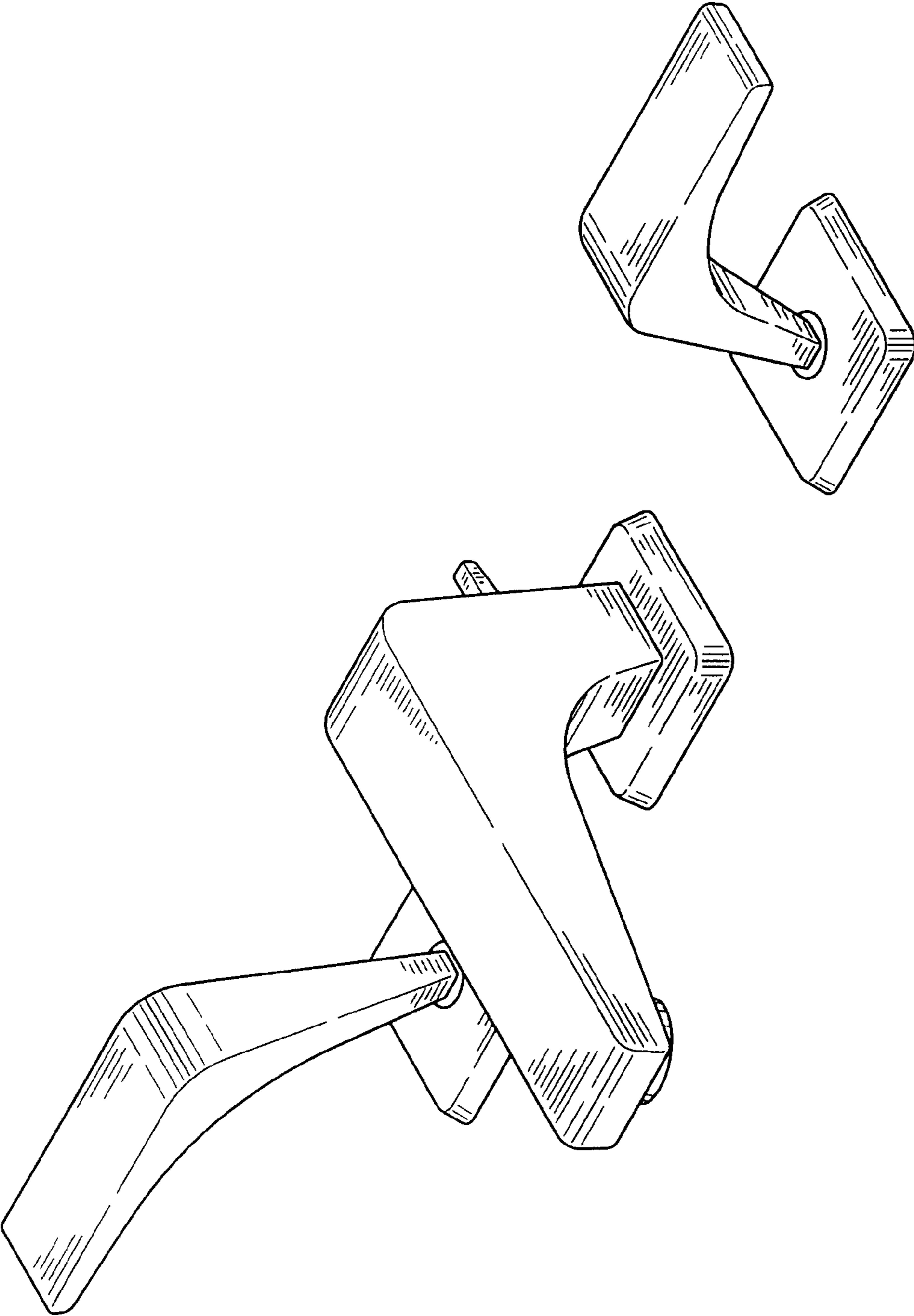


FIG. 1

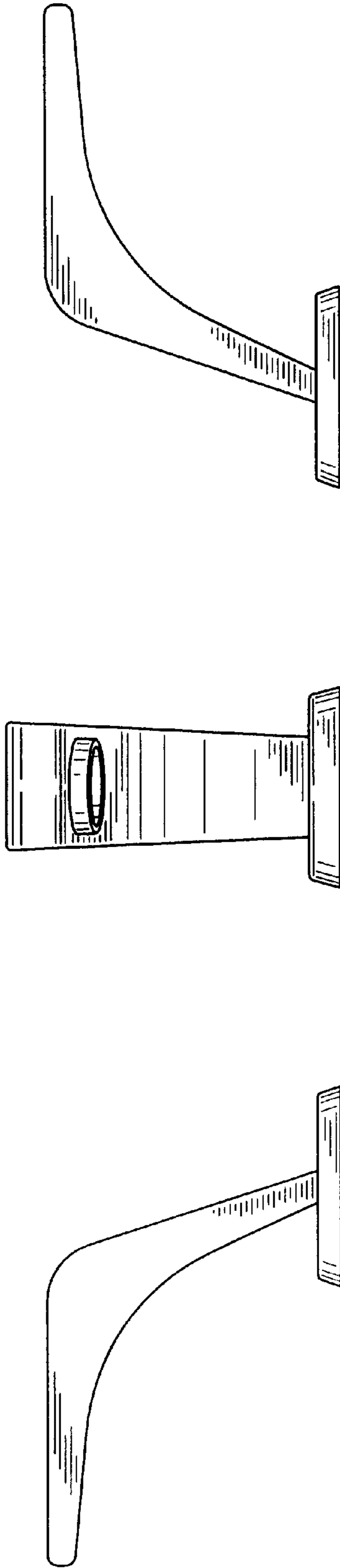


FIG. 2

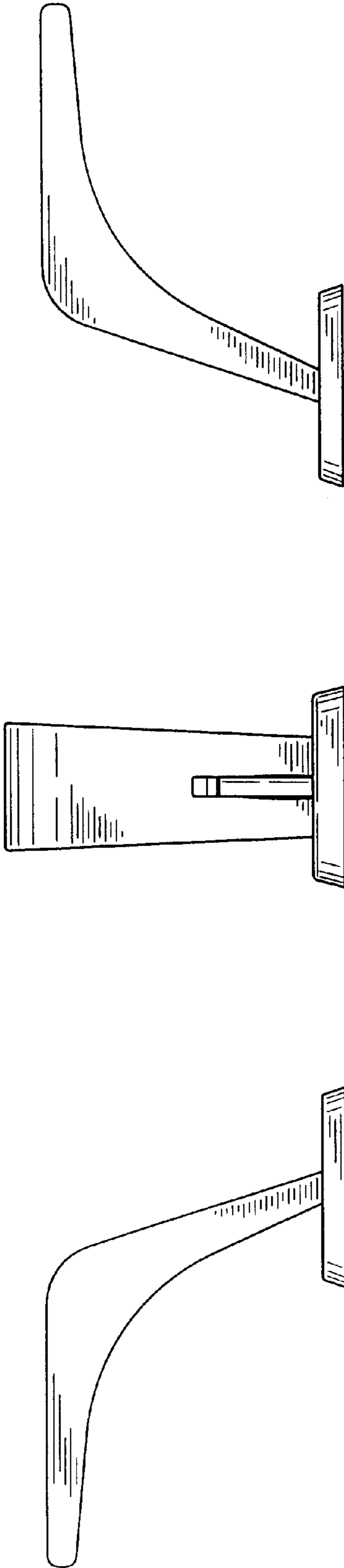
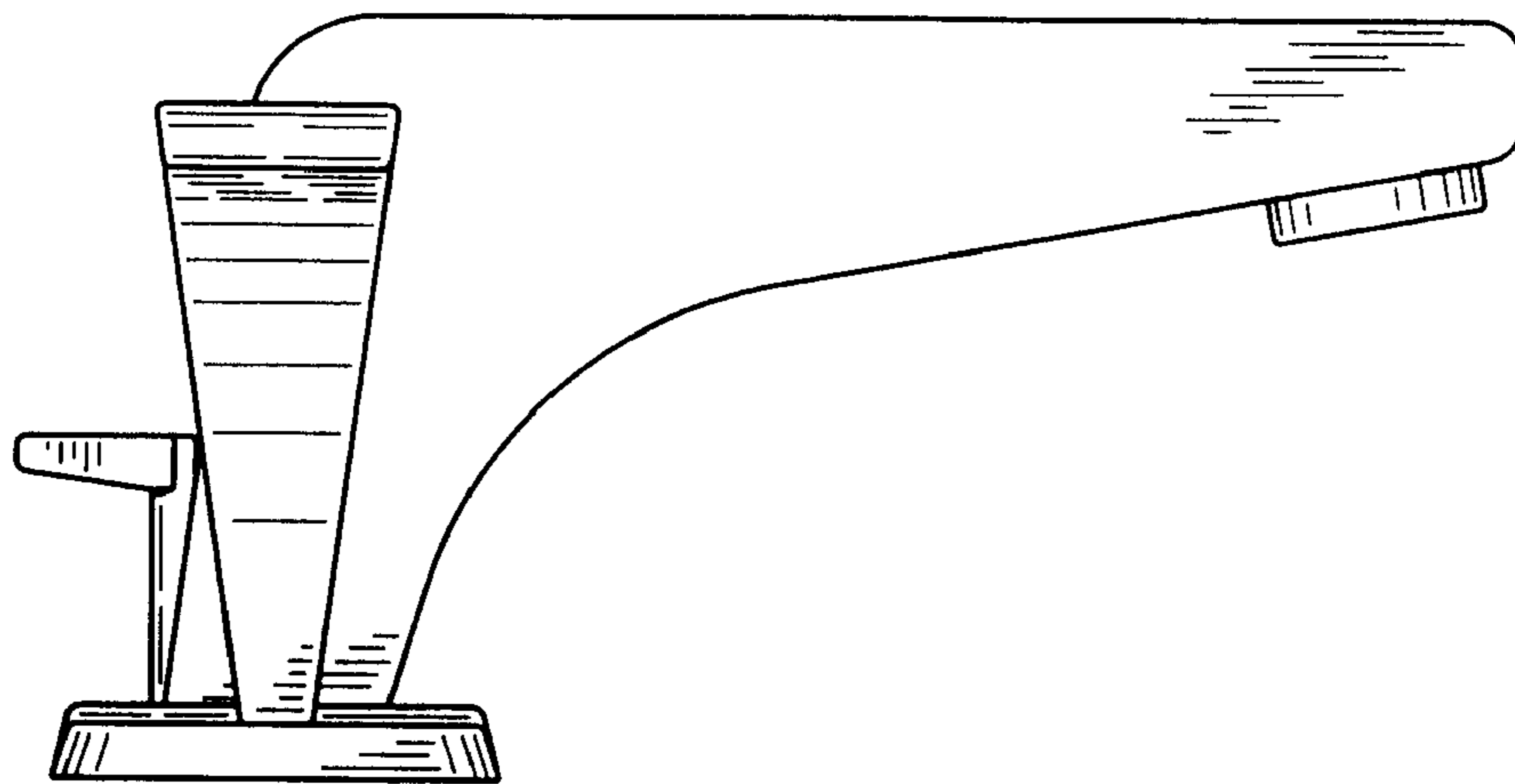
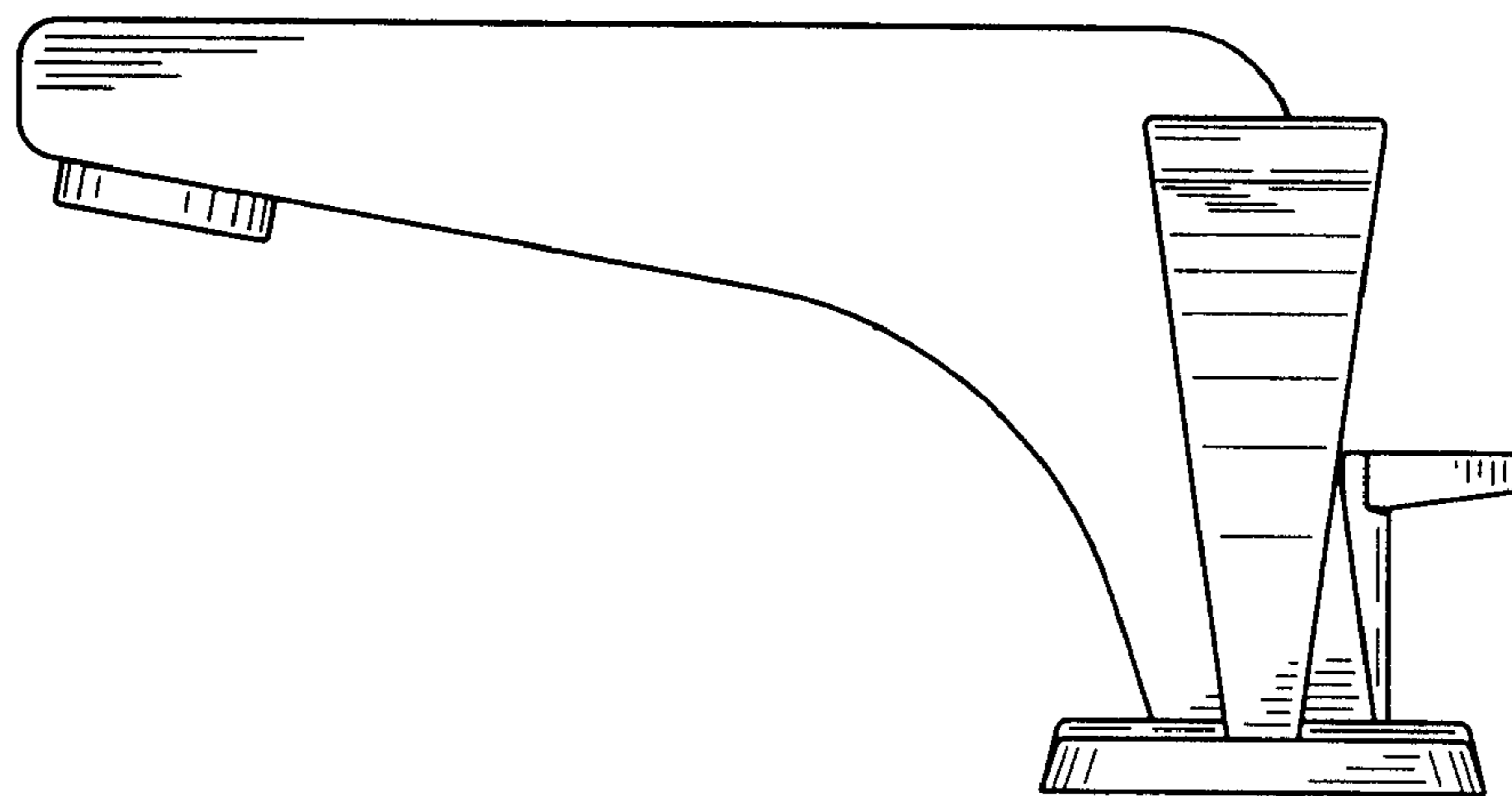


FIG. 3



*FIG. 4*



*FIG. 5*

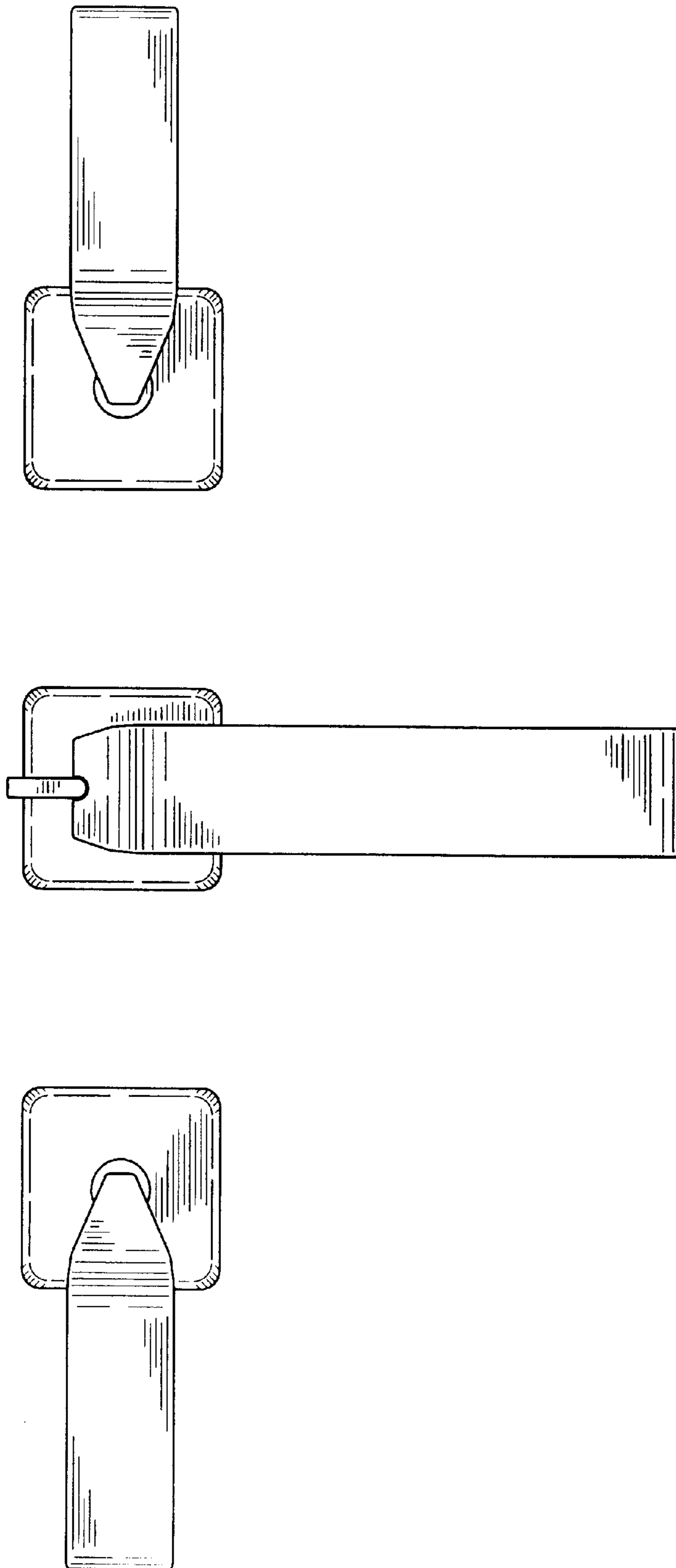


FIG. 6

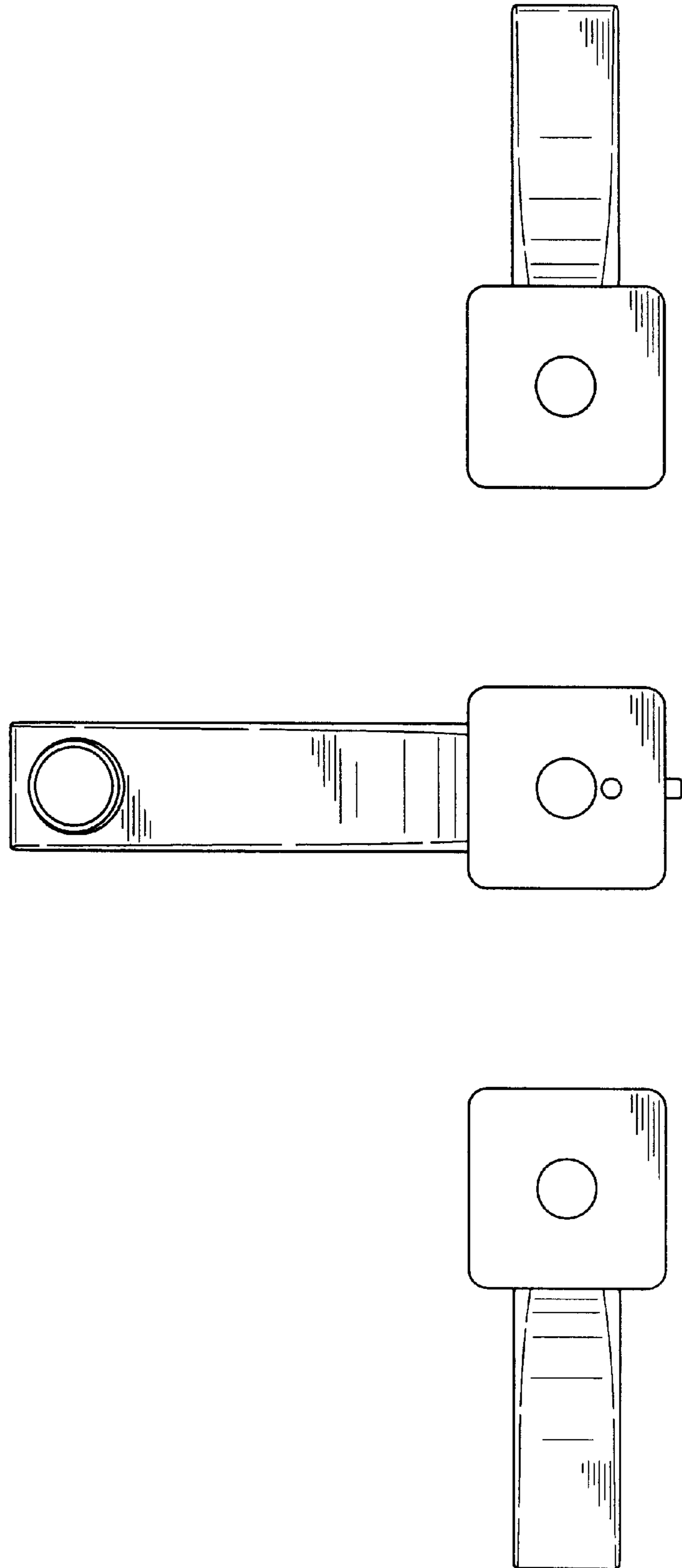


FIG. 7