



US00D538399S

(12) **United States Design Patent**
Miyamoto

(10) **Patent No.:** **US D538,399 S**

(45) **Date of Patent:** **** Mar. 13, 2007**

(54) **FAUCET AND HANDLE SET**

(75) Inventor: **Takeaki Miyamoto**, Kitakyushu (JP)

(73) Assignee: **Toto Ltd.**, Kitakyushu (JP)

(**) Term: **14 Years**

(21) Appl. No.: **29/253,235**

(22) Filed: **Feb. 3, 2006**

(51) **LOC (8) Cl.** **23-01**

(52) **U.S. Cl.** **D23/241**; D23/242

(58) **Field of Classification Search** D23/238-257;
4/675-678; 137/801

See application file for complete search history.

(56) **References Cited**

U.S. PATENT DOCUMENTS

D465,557 S * 11/2002 Antoniello et al. D23/242

* cited by examiner

Primary Examiner—Louis S. Zarfes

Assistant Examiner—Gregory Andoll

(74) *Attorney, Agent, or Firm*—Birch, Stewart, Kolasch & Birch, LLP

(57) **CLAIM**

The ornamental design for a faucet and handle set, as shown and described.

DESCRIPTION

FIG. 1 is a perspective view of the top, front and right side of a faucet and handle set showing my new design;

FIG. 2 is a front view thereof;

FIG. 3 is a rear view thereof;

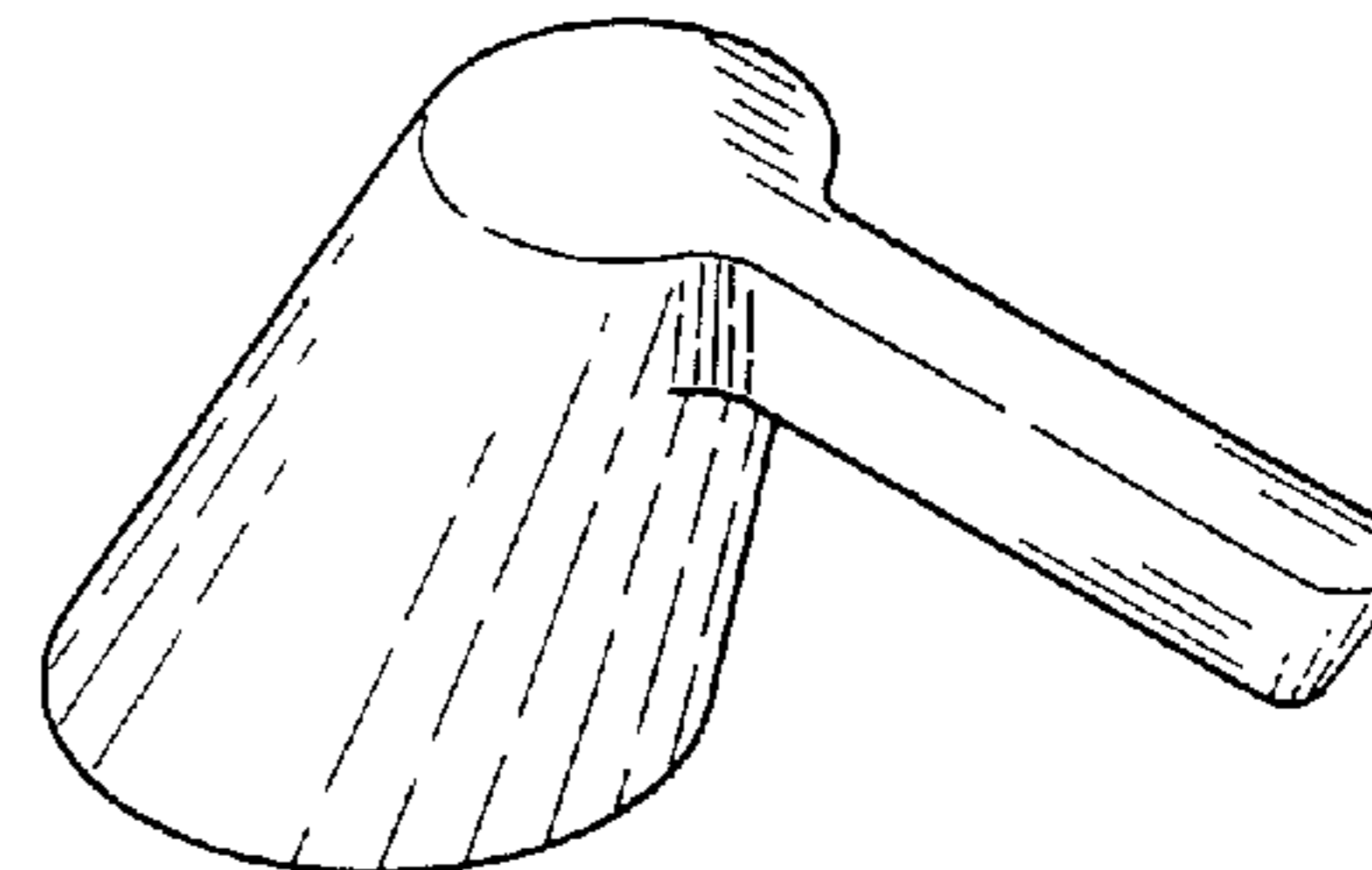
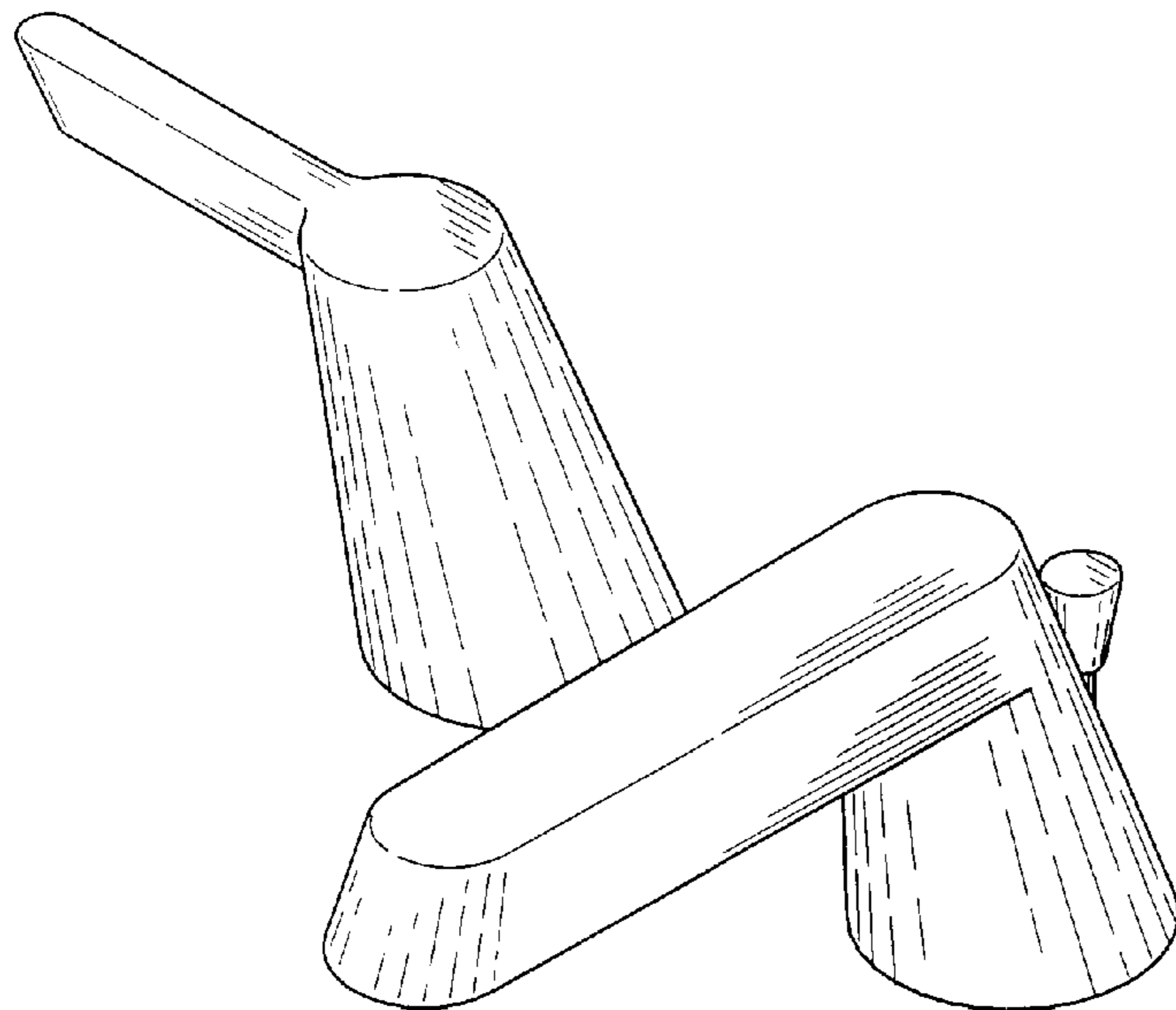
FIG. 4 is a left side view thereof;

FIG. 5 is a right side view thereof;

FIG. 6 is a top plan view thereof; and,

FIG. 7 is a bottom view thereof.

1 Claim, 6 Drawing Sheets



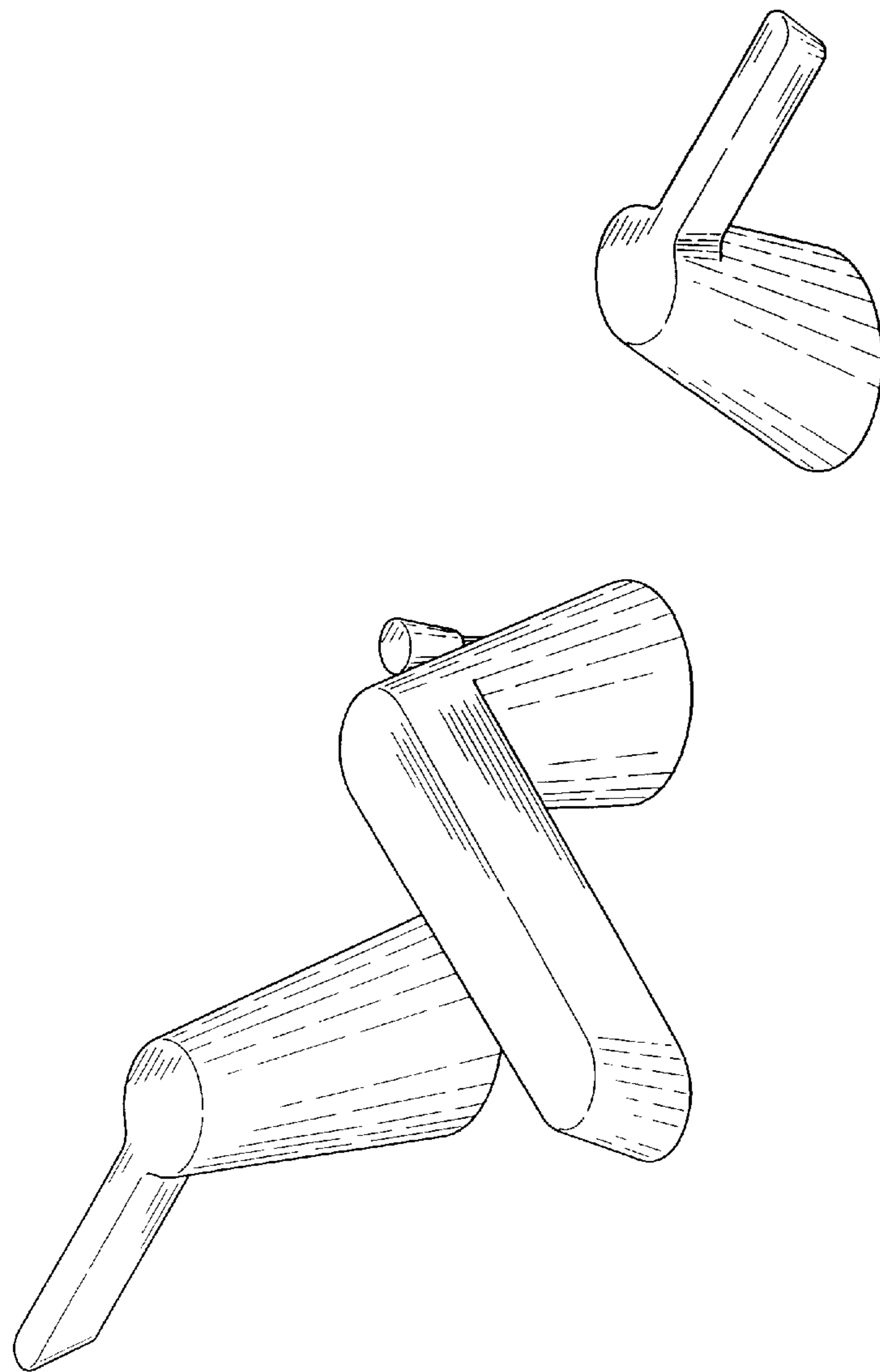


FIG. 1

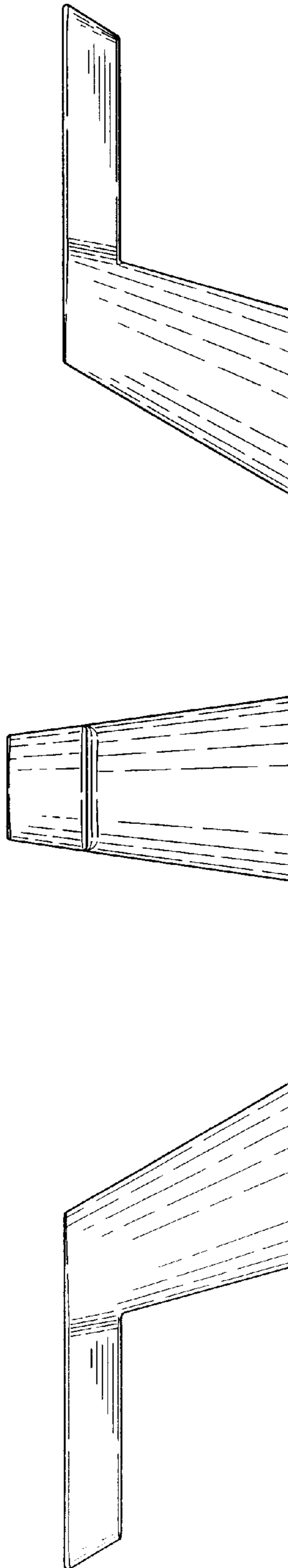


FIG. 2

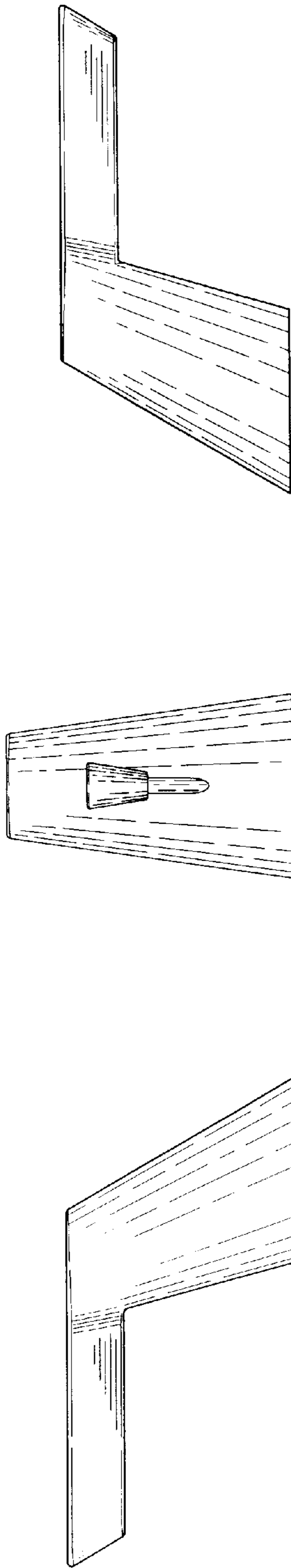


FIG. 3

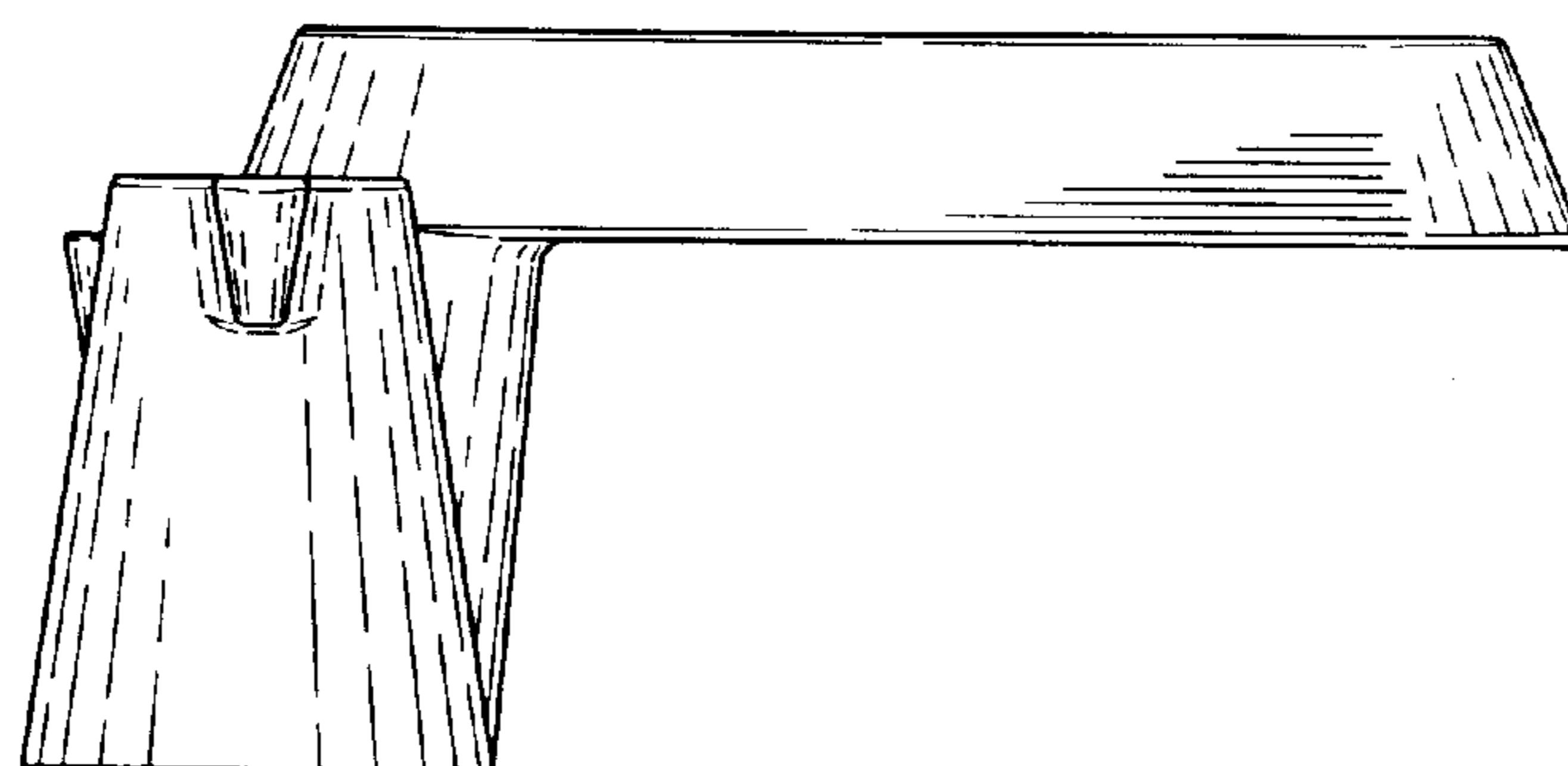


FIG. 4

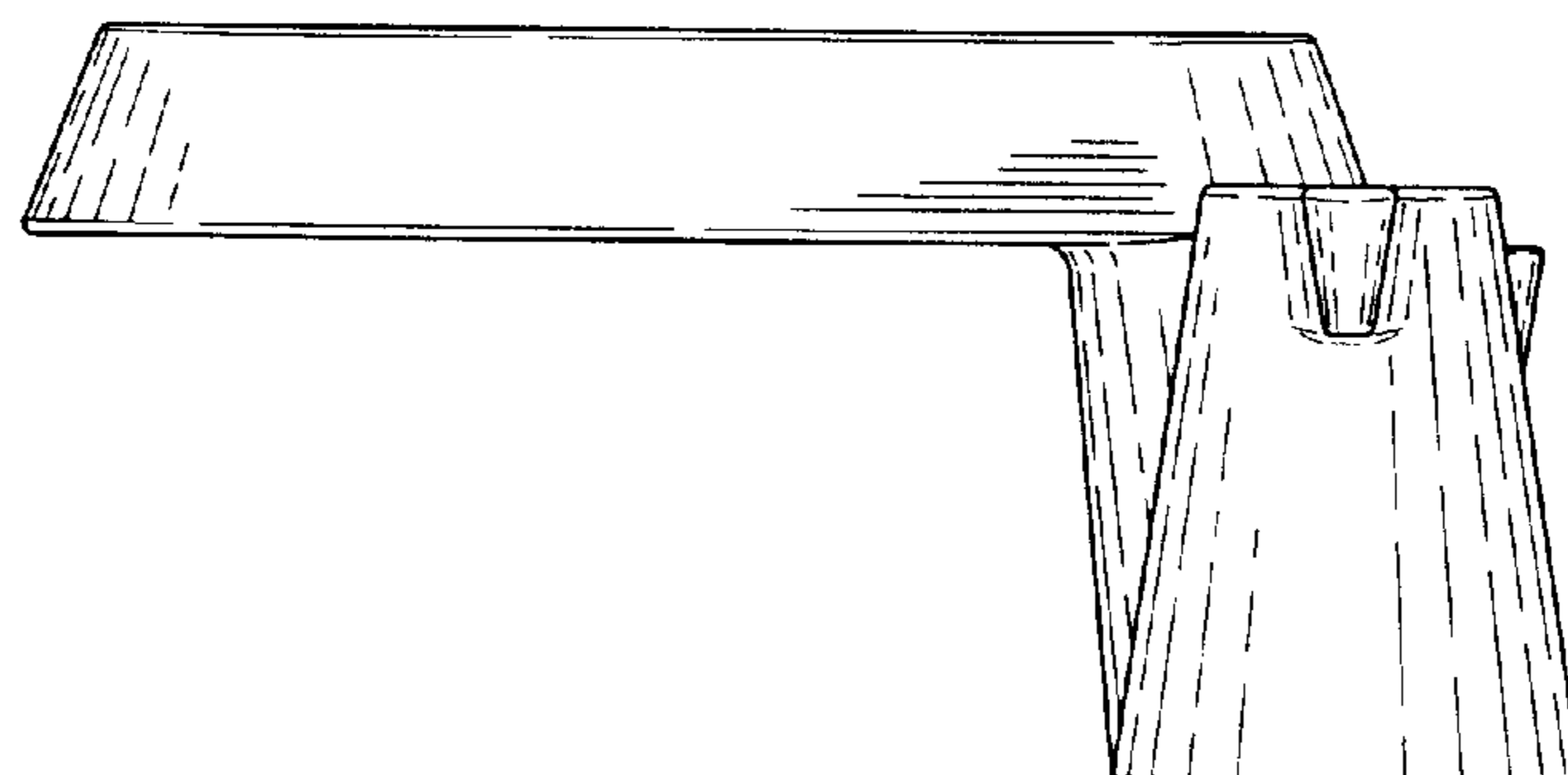


FIG. 5

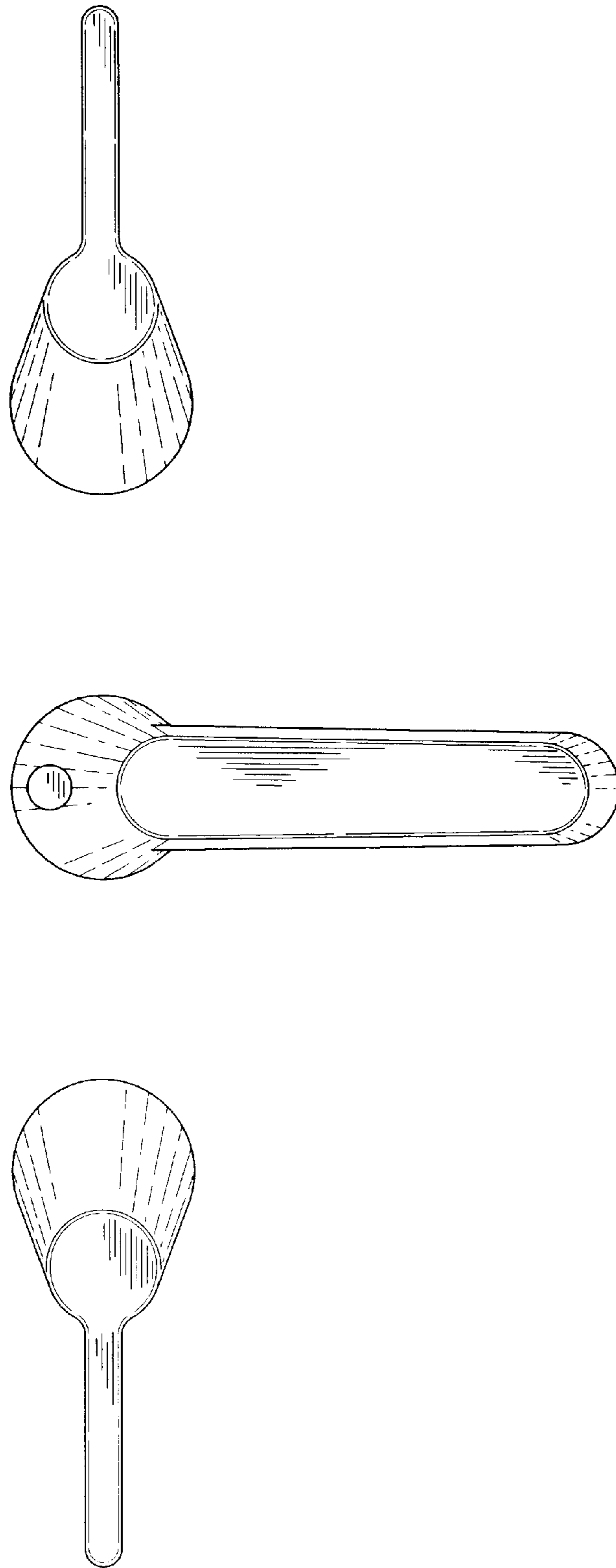


FIG. 6

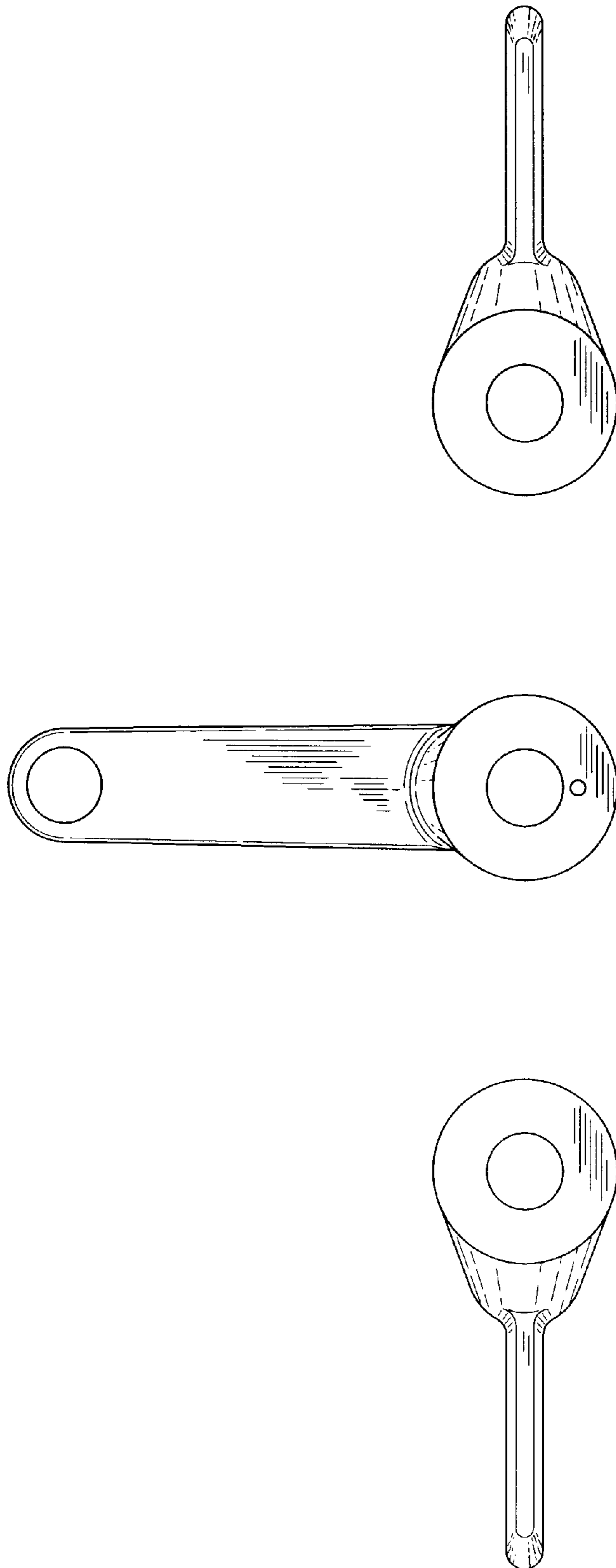


FIG. 7