



US00D538398S

(12) **United States Design Patent**  
**Lobermeier et al.**

(10) **Patent No.:** **US D538,398 S**

(45) **Date of Patent:** **\*\* Mar. 13, 2007**

(54) **DECK-MOUNT FAUCET**

(75) Inventors: **Hans Lobermeier**, Menden (DE);  
**Svenja Schiegnitz**, Munich (DE)

(73) Assignee: **Grohe AG**, Hemer (DE)

(\*\*) Term: **14 Years**

(21) Appl. No.: **29/259,188**

(22) Filed: **May 3, 2006**

(30) **Foreign Application Priority Data**

Nov. 18, 2005 (EM) ..... 000433420-0002

(51) **LOC (8) Cl.** ..... **23-01**

(52) **U.S. Cl.** ..... **D23/238**

(58) **Field of Classification Search** ..... D23/238-257;  
4/675-678; 137/801

See application file for complete search history.

(56) **References Cited**

**U.S. PATENT DOCUMENTS**

D364,213 S \* 11/1995 Dannenberg et al. .... D23/238

D438,599 S \* 3/2001 Mark et al. .... D23/238

D438,935 S \* 3/2001 Mark et al. .... D23/238

D441,836 S \* 5/2001 Mark et al. .... D23/238

D463,529 S \* 9/2002 Dretzka ..... D23/238

D476,397 S \* 6/2003 Ouyoung ..... D23/238

D512,124 S \* 11/2005 Kulig et al. .... D23/238

D517,166 S \* 3/2006 Chu ..... D23/238

\* cited by examiner

*Primary Examiner*—Louis S. Zarfaz

*Assistant Examiner*—Gregory Andoll

(74) *Attorney, Agent, or Firm*—Andrew Wilford

(57) **CLAIM**

The ornamental design for a deck-mount faucet, as shown.

**DESCRIPTION**

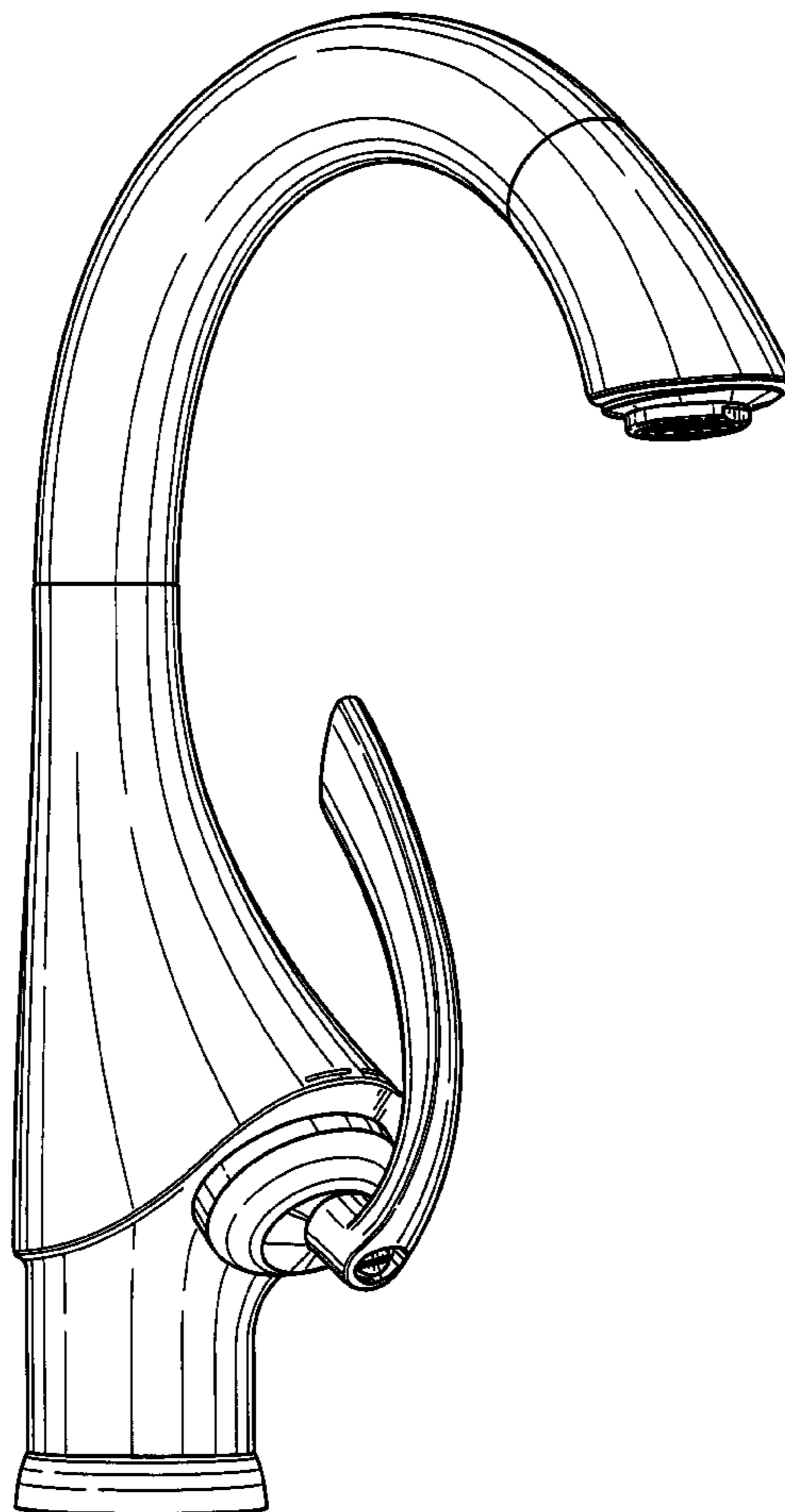
FIG. 1 is a perspective view of the faucet according to the invention;

FIGS. 2 and 3 are front and back elevational views of the faucet;

FIG. 4 is a side view of the faucet, both sides being identical; and,

FIGS. 5 and 6 are top and bottom views of the faucet.

**1 Claim, 4 Drawing Sheets**



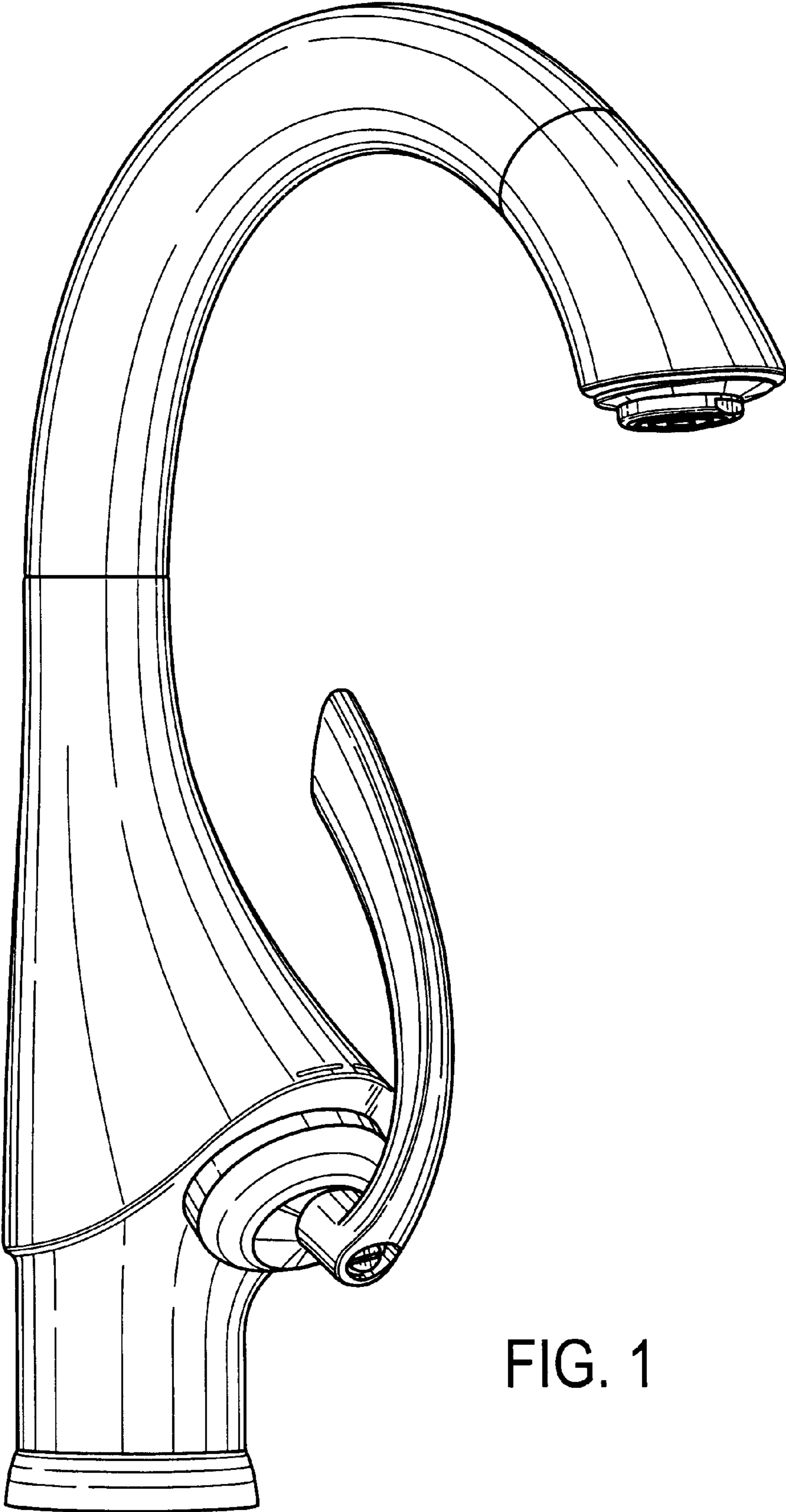


FIG. 1

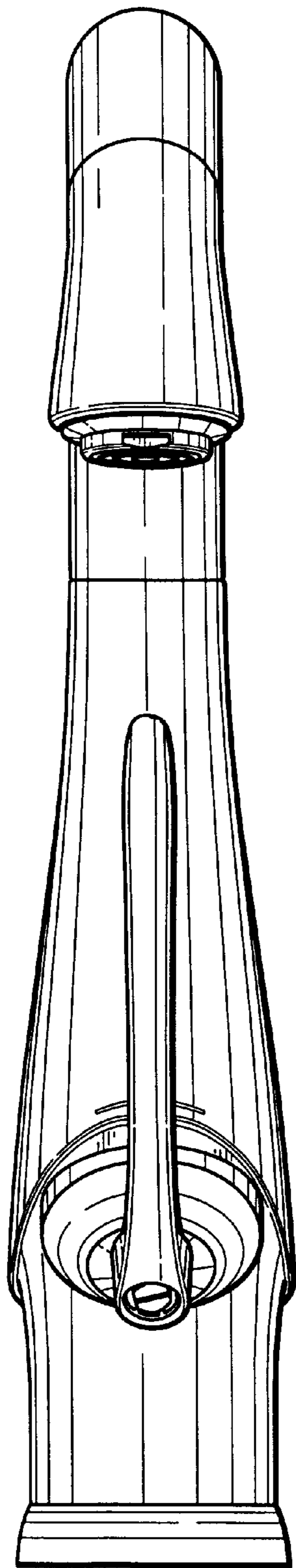


FIG. 2

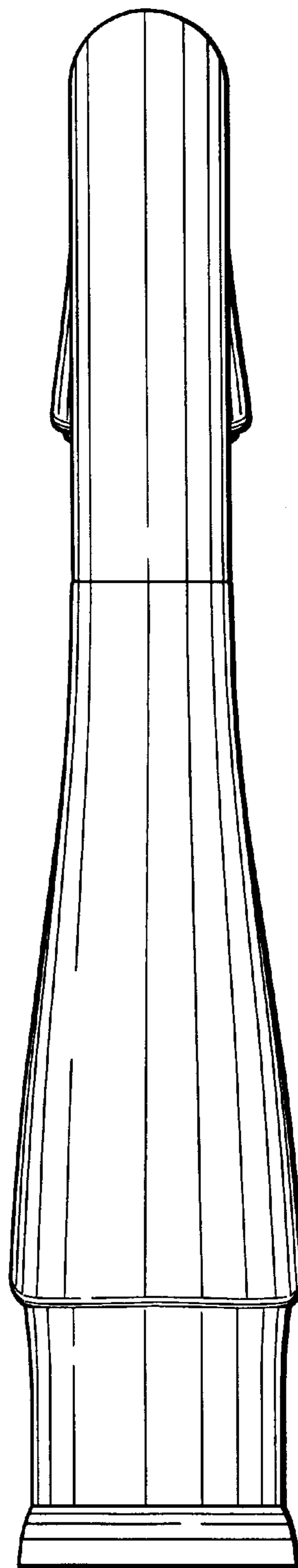


FIG. 3

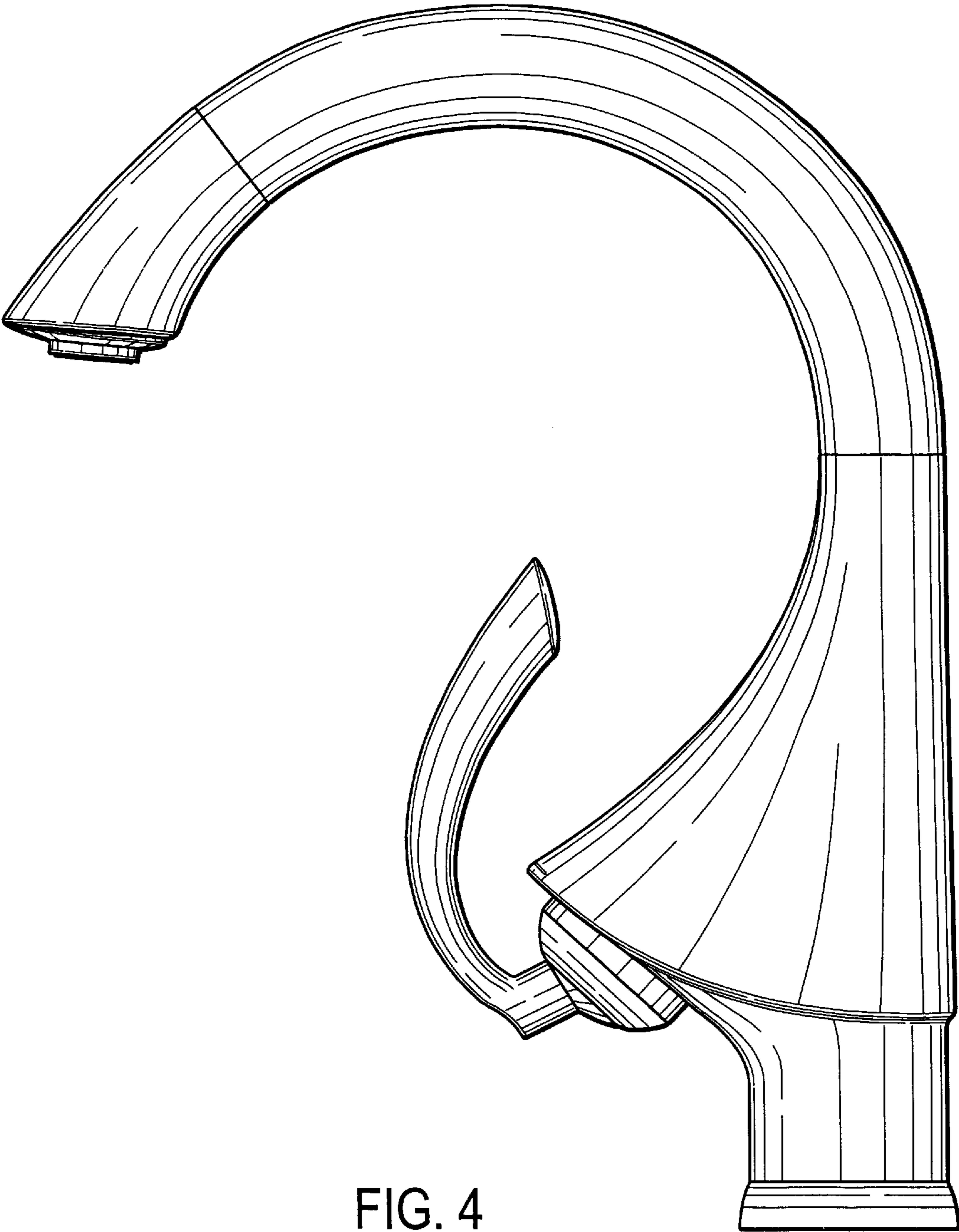


FIG. 4

FIG. 5

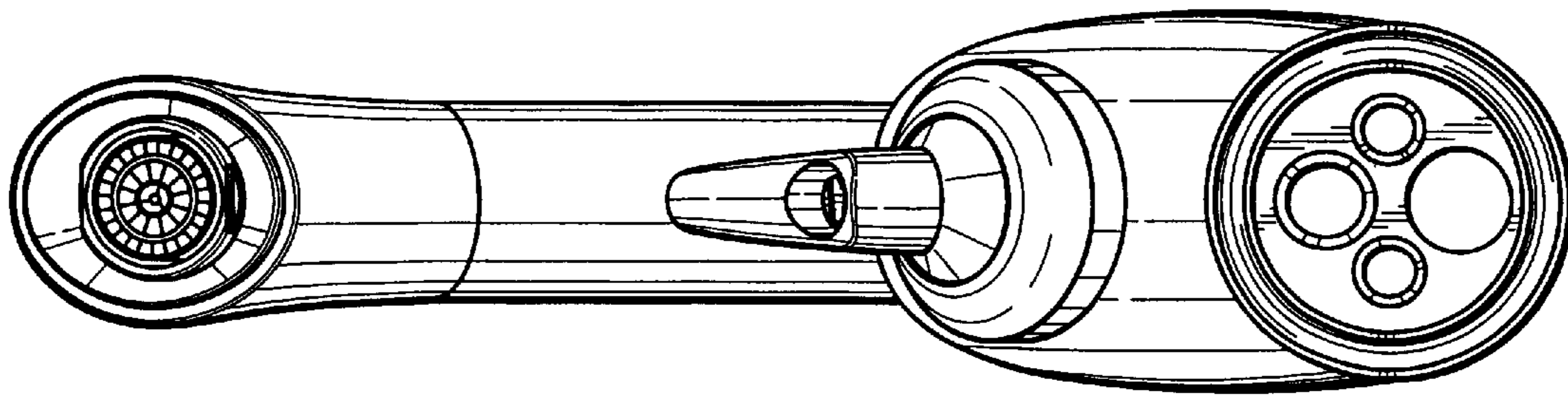
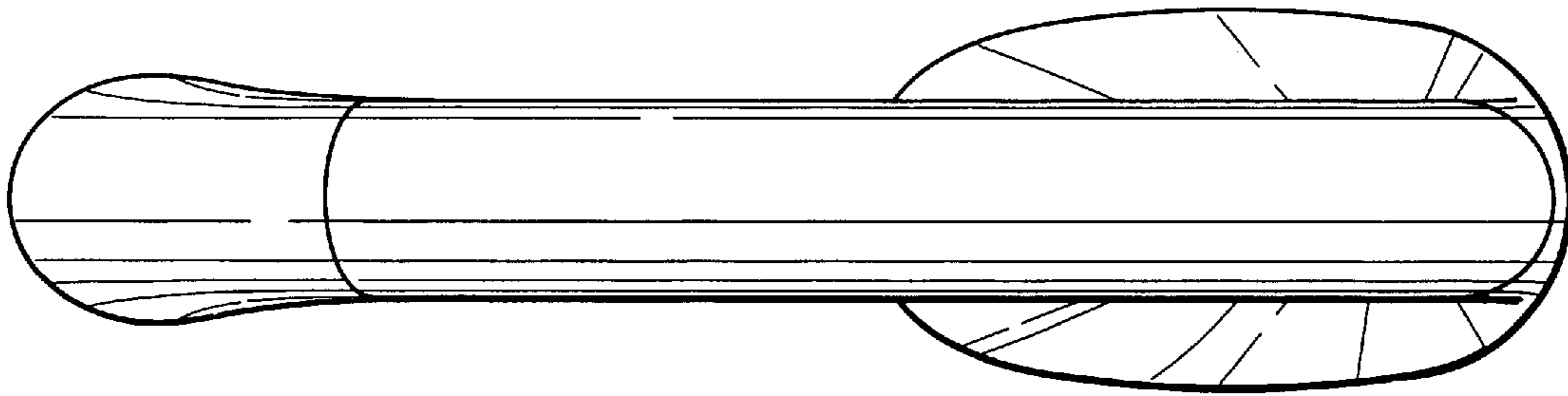


FIG. 6