



US00D538394S

(12) **United States Design Patent**
Sallick et al.

(10) **Patent No.:** **US D538,394 S**

(45) **Date of Patent:** **** Mar. 13, 2007**

(54) **HAND SHOWER**

D495,028 S * 8/2004 Jorgensen et al. D23/223
D508,974 S * 8/2005 Lin D23/223

(75) Inventors: **Peter Sallick**, Westport, CT (US); **Peter Shelton**, New York, NY (US); **Lee Mindel**, New York, NY (US)

* cited by examiner

Primary Examiner—Robin Webster

(73) Assignee: **Waterworks, Inc.**, Danbury, CT (US)

(74) *Attorney, Agent, or Firm*—Goodwin Procter, LLP

(**) Term: **14 Years**

(57) **CLAIM**

The ornamental design for a hand shower, as shown and described.

(21) Appl. No.: **29/236,912**

(22) Filed: **Aug. 24, 2005**

DESCRIPTION

(51) **LOC (8) Cl.** **23-01**

FIG. 1 is a perspective view of the hand shower showing our new design;

(52) **U.S. Cl.** **D23/223**

FIG. 2 is a front elevational view thereof;

(58) **Field of Classification Search** D23/213,
D23/223, 226, 229–230; 239/282–3, 460,
239/462

FIG. 3 is a rear elevational view thereof;

FIG. 4 is a right side elevational view thereof, the left side being a mirror image of the right side;

See application file for complete search history.

FIG. 5 is a top plan view thereof; and,

FIG. 6 is a bottom plan view thereof.

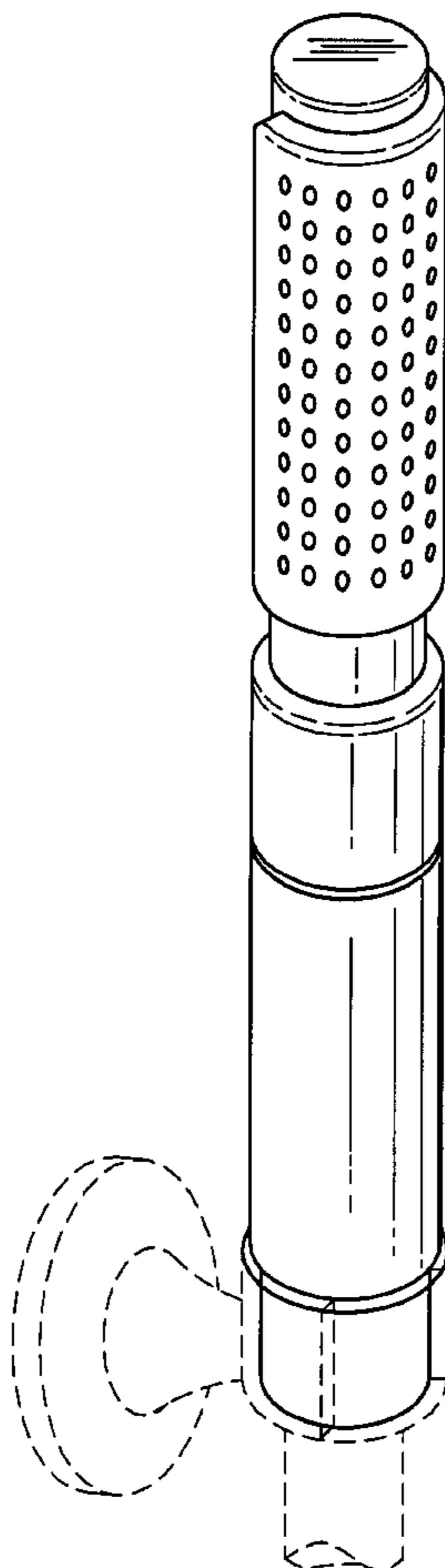
The broken lines in the drawings are shown for environmental purposes only and form no part of the claimed design.

(56) **References Cited**

U.S. PATENT DOCUMENTS

D228,908 S * 10/1973 Juhlin D23/223
D453,813 S * 2/2002 Gottwald D23/223
D454,620 S * 3/2002 Starck D23/228

1 Claim, 5 Drawing Sheets



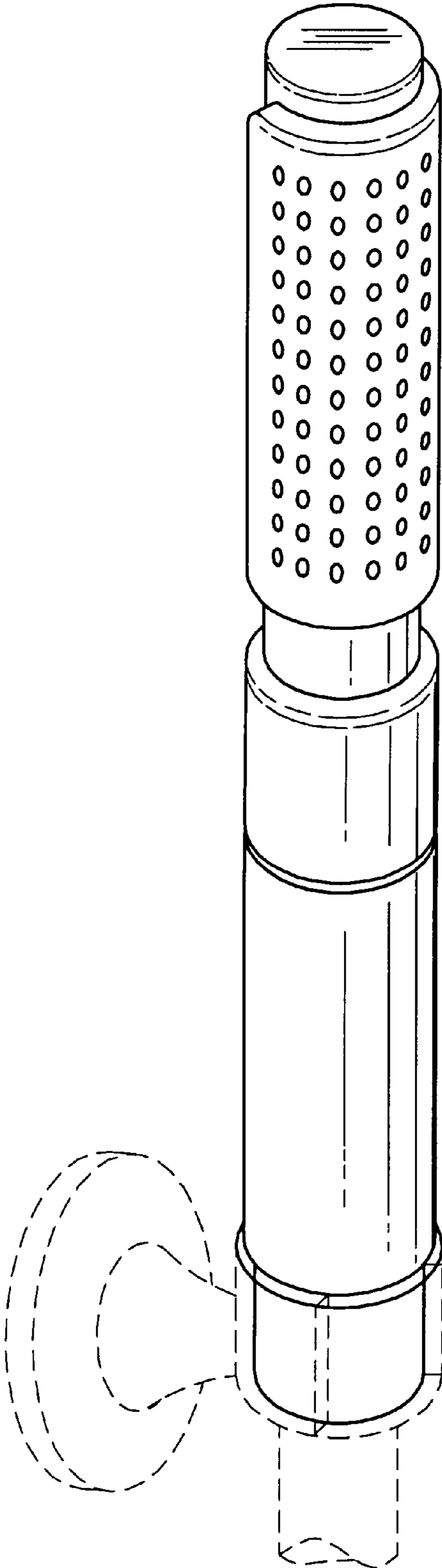


FIG. 1

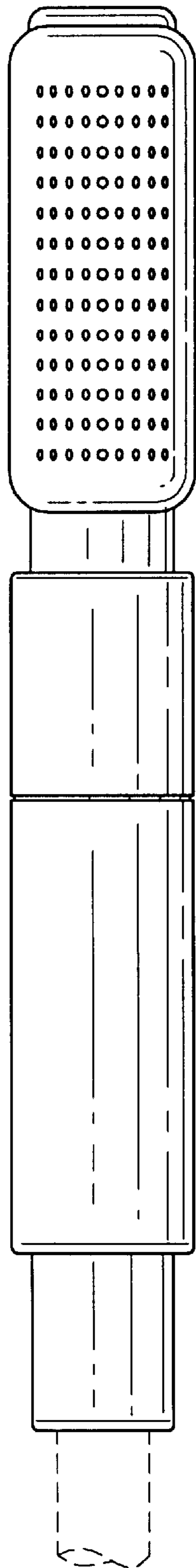


FIG. 2

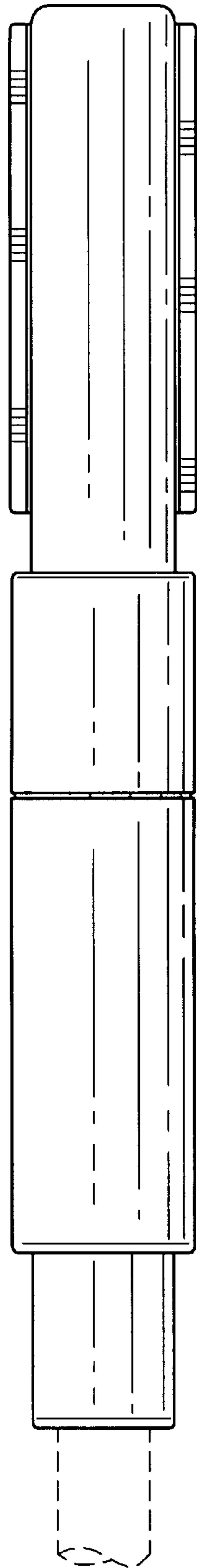


FIG. 3

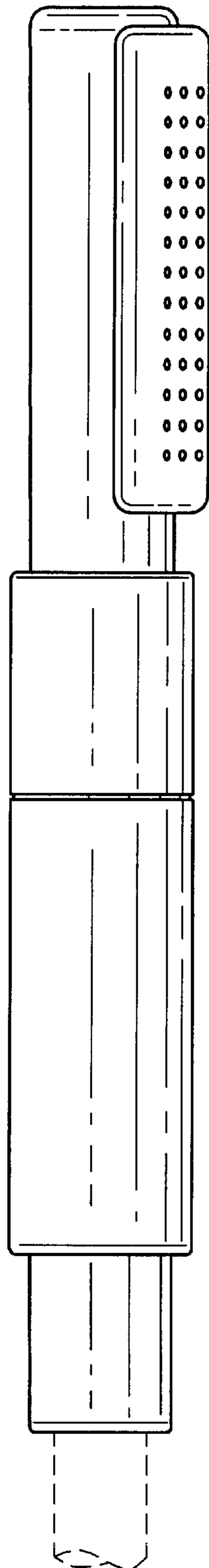


FIG. 4

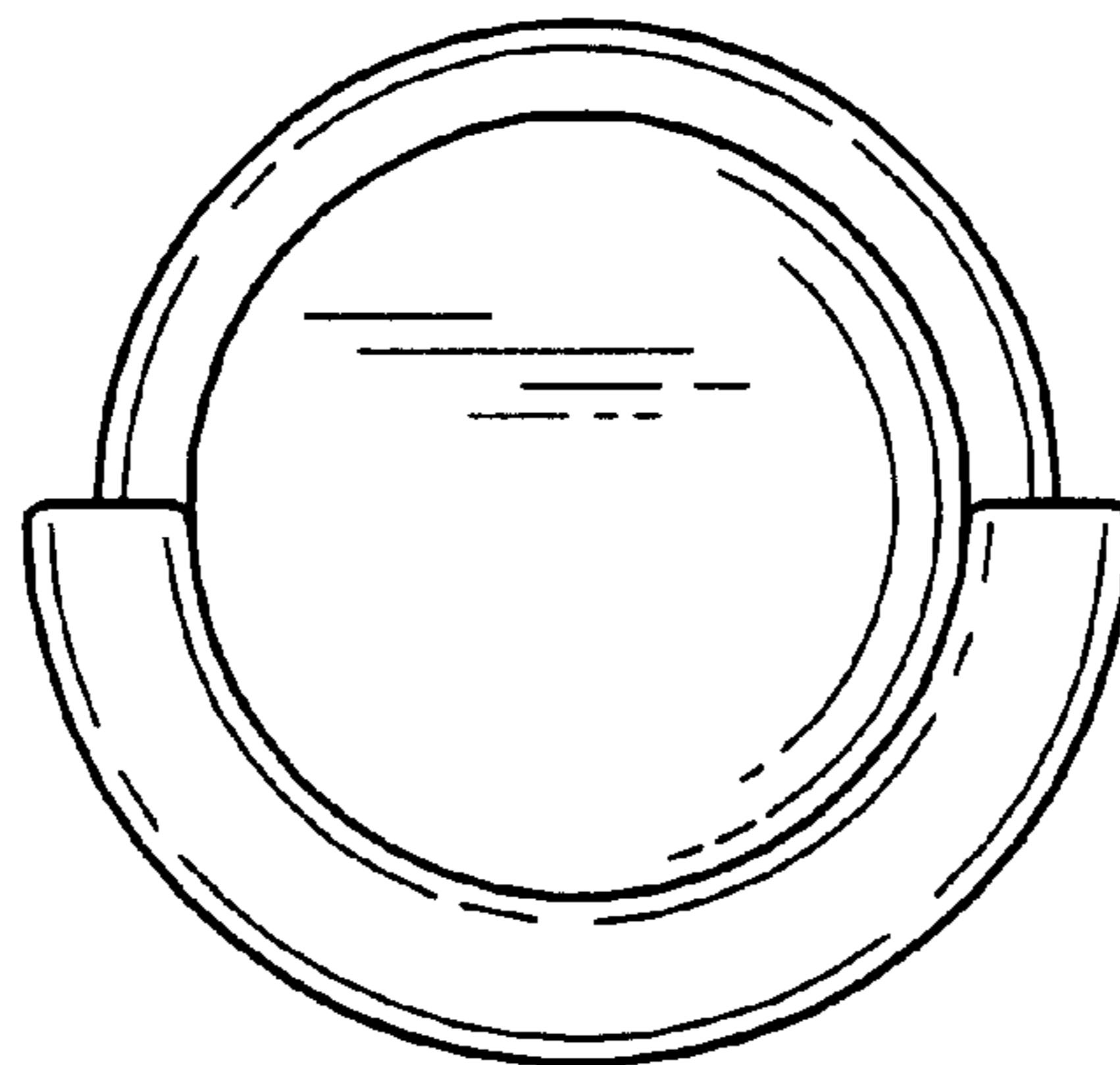


FIG. 5

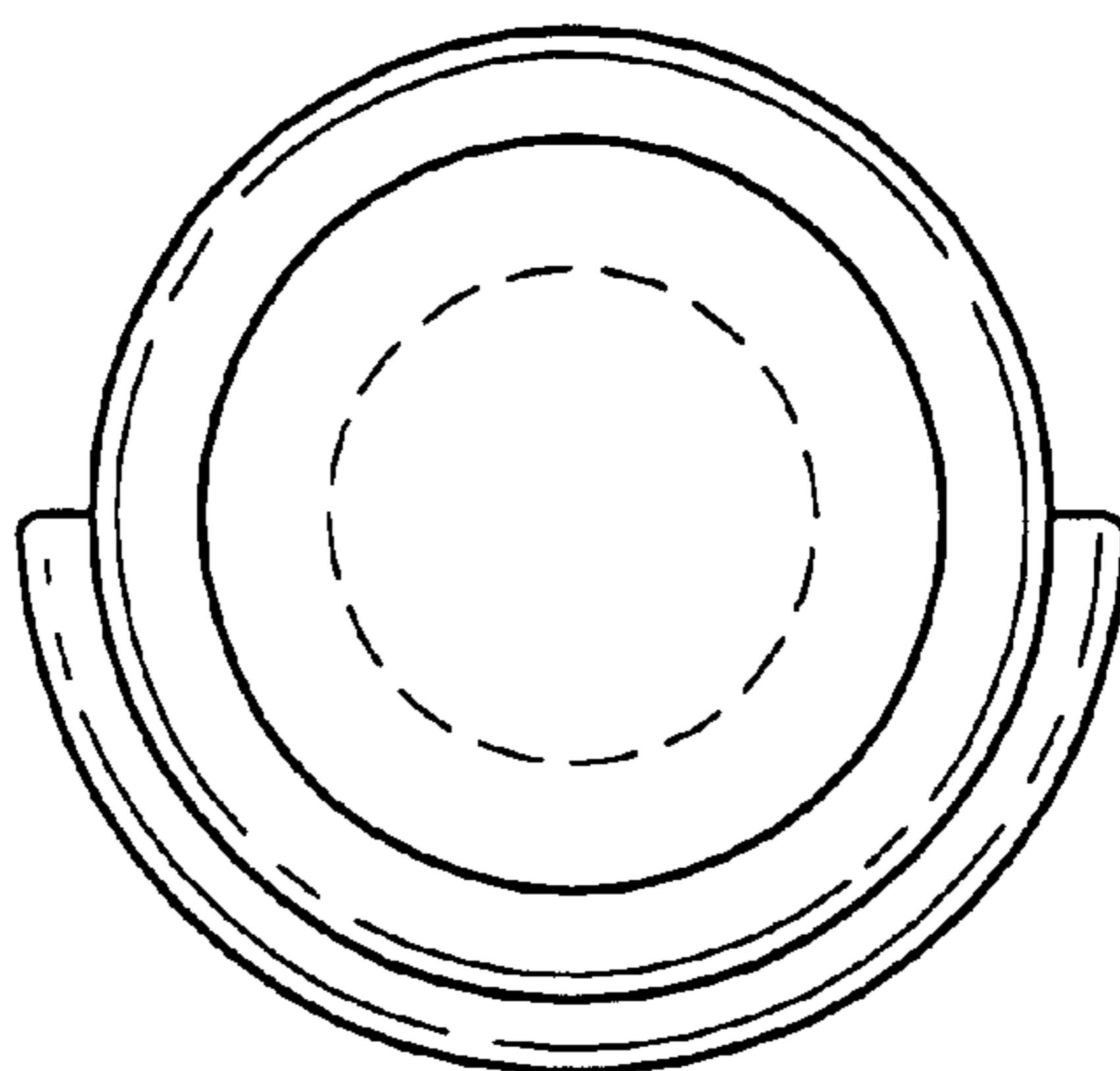


FIG. 6