



US00D538393S

(12) **United States Design Patent**
Chung

(10) **Patent No.:** **US D538,393 S**

(45) **Date of Patent:** **** *Mar. 13, 2007**

(54) **WATER SPRAY DEVICE**

(76) Inventor: **Chiu-Chih Chung**, No. 31, Lane 275,
Sec. 4, Lu Ho Rd., Lu Kan Chen,
Chunghua Hsien (TW)

(*) Notice: This patent is subject to a terminal disclaimer.

(**) Term: **14 Years**

(21) Appl. No.: **29/230,736**

(22) Filed: **May 26, 2005**

(51) **LOC (8) Cl.** **23-01**

(52) **U.S. Cl.** **D23/223**

(58) **Field of Classification Search** D23/213,
D23/223, 226; 239/525-6, 452, 458-9
See application file for complete search history.

(56) **References Cited**

U.S. PATENT DOCUMENTS

1,778,223 A * 10/1930 Meng 239/459

2,034,867 A * 3/1936 Hayes 239/313

3,540,657 A * 11/1970 Thompson 239/458

D515,662 S * 2/2006 Chen D23/223

7,007,868 B1 * 3/2006 Chen 239/525

* cited by examiner

Primary Examiner—Robin Webster

(74) *Attorney, Agent, or Firm*—Troxell Law Office, PLLC

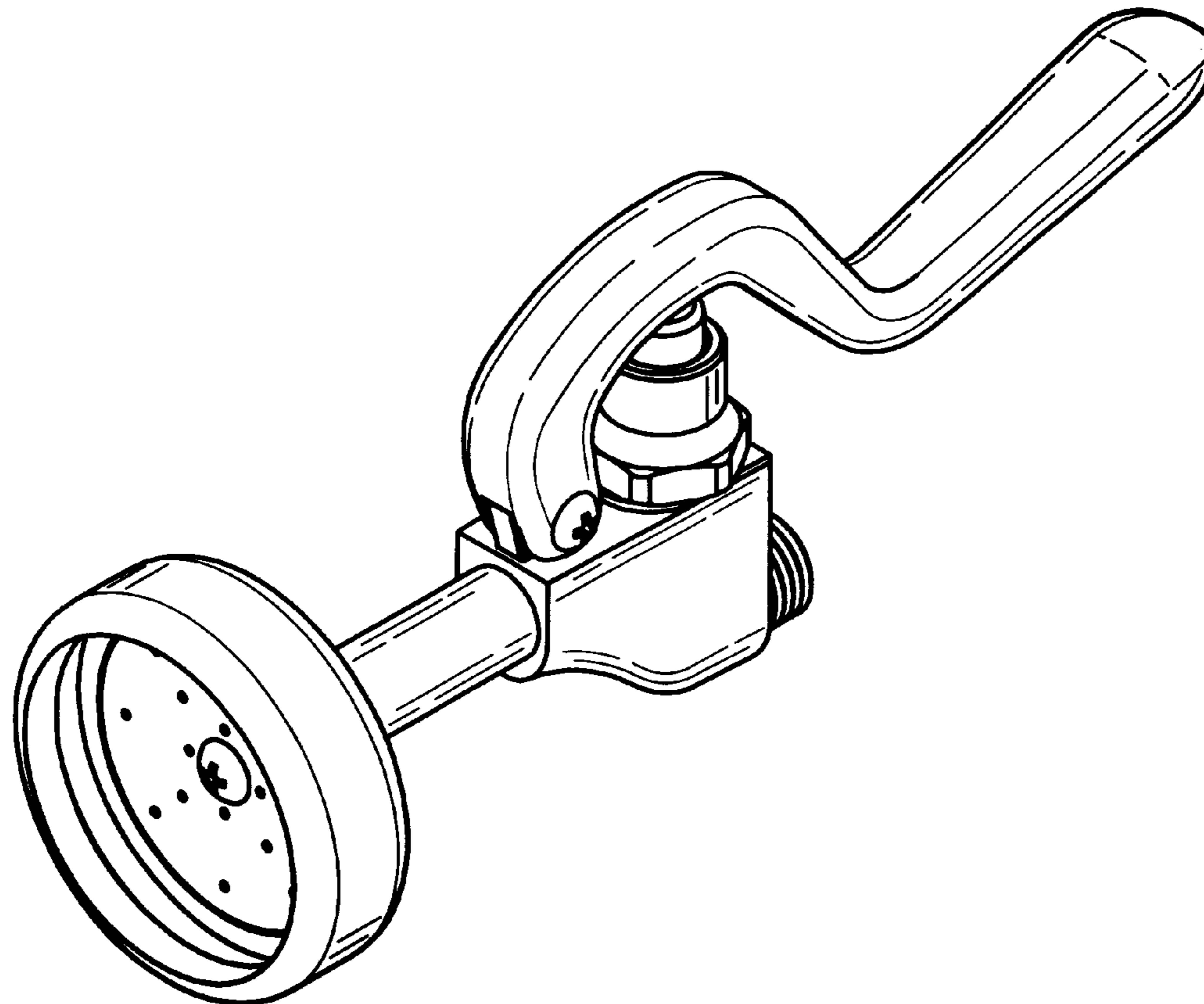
(57) **CLAIM**

The ornamental design for a water spray device, as shown and described.

DESCRIPTION

FIG. 1 is a front elevation view thereof;
FIG. 2 is a rear elevation view thereof;
FIG. 3 is a left side view thereof;
FIG. 4 is a right side view thereof;
FIG. 5 is a top plan view thereof;
FIG. 6 is a bottom plan view thereof; and,
FIG. 7 is a perspective view of a water spray device showing my new design.

1 Claim, 4 Drawing Sheets



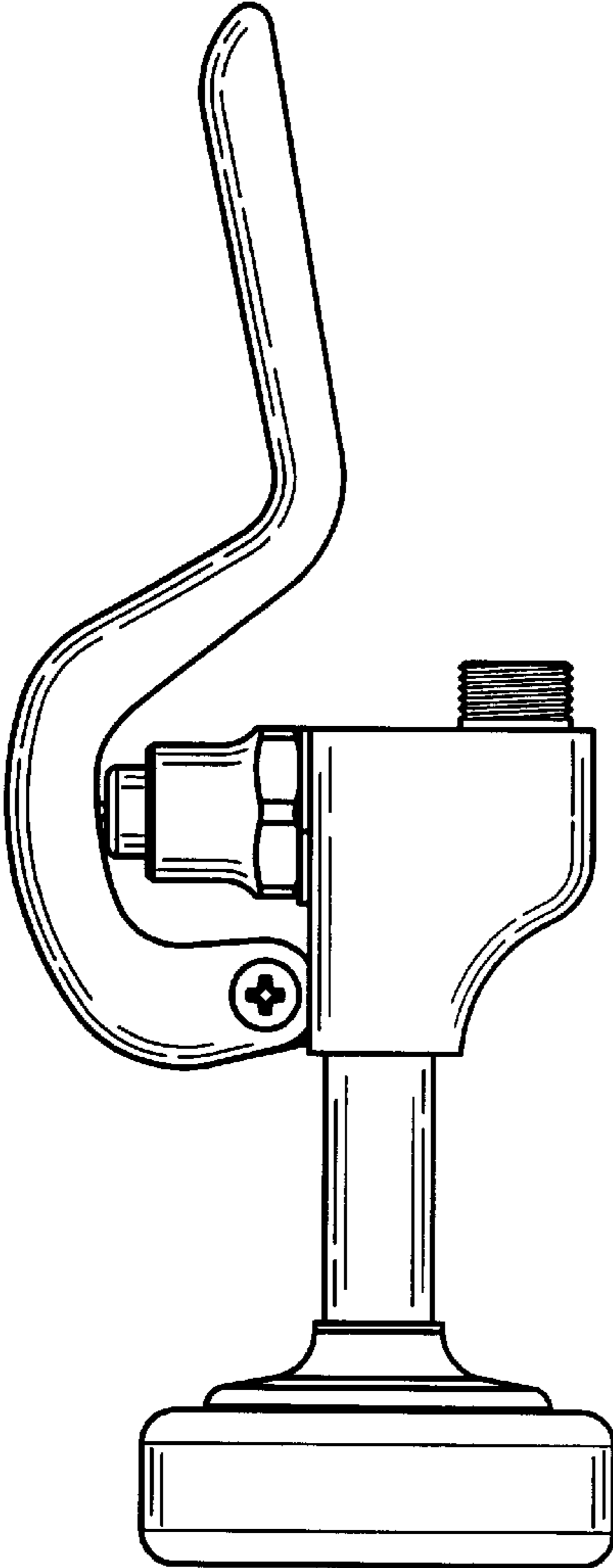


FIG. 1

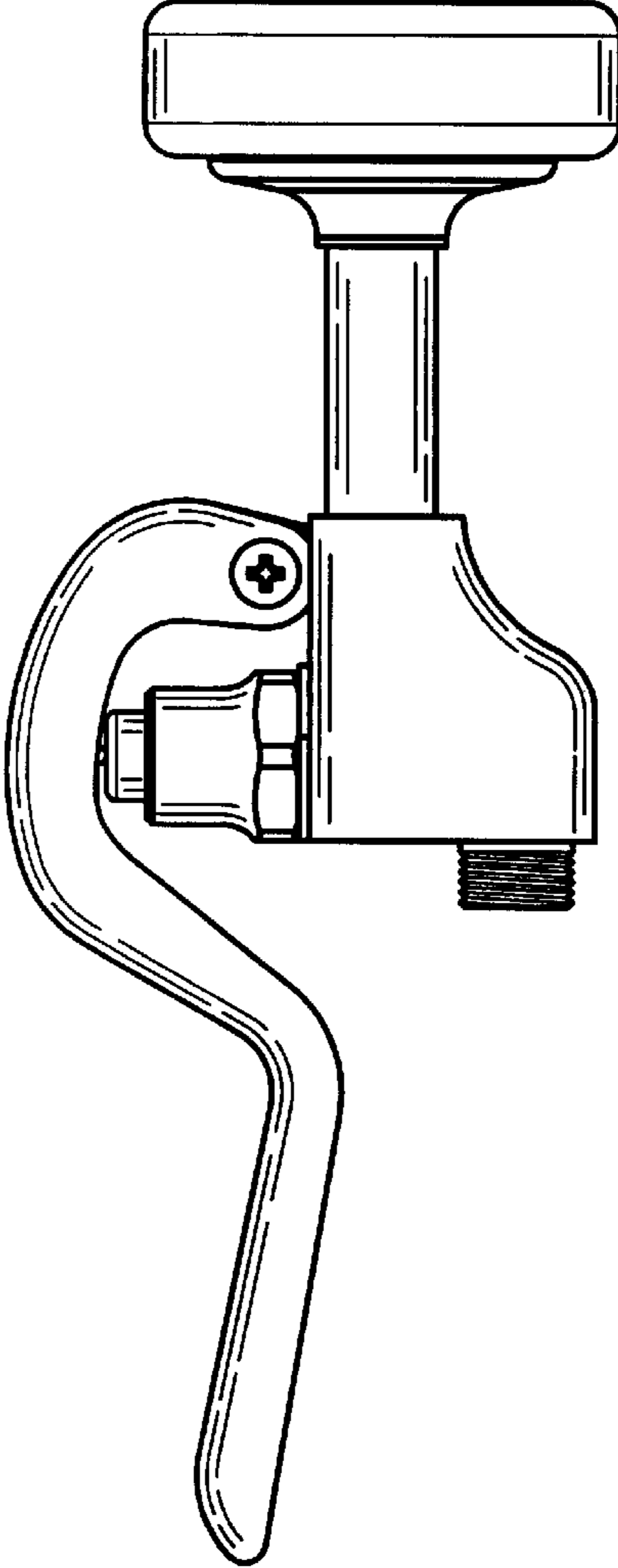


FIG. 2

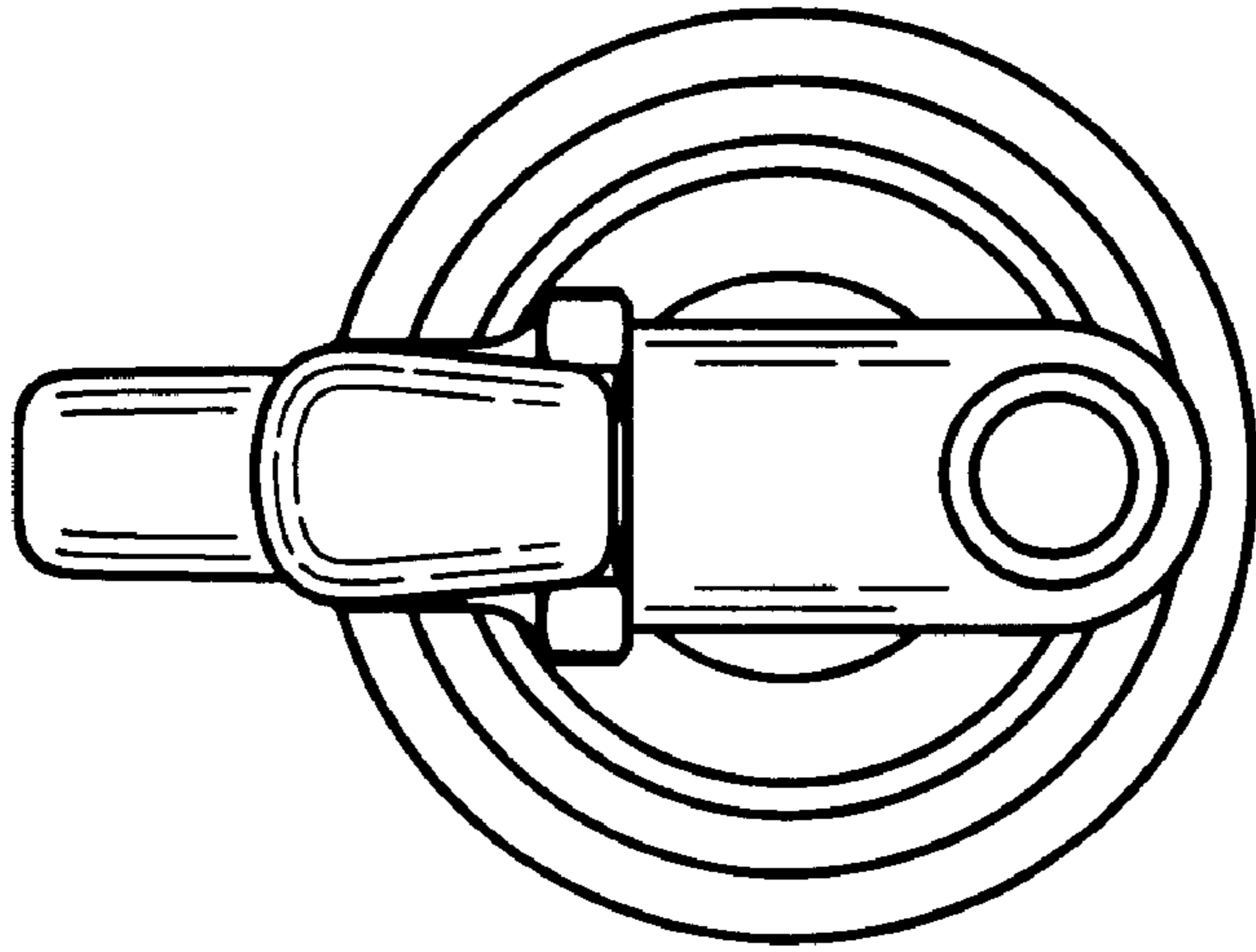


FIG. 4

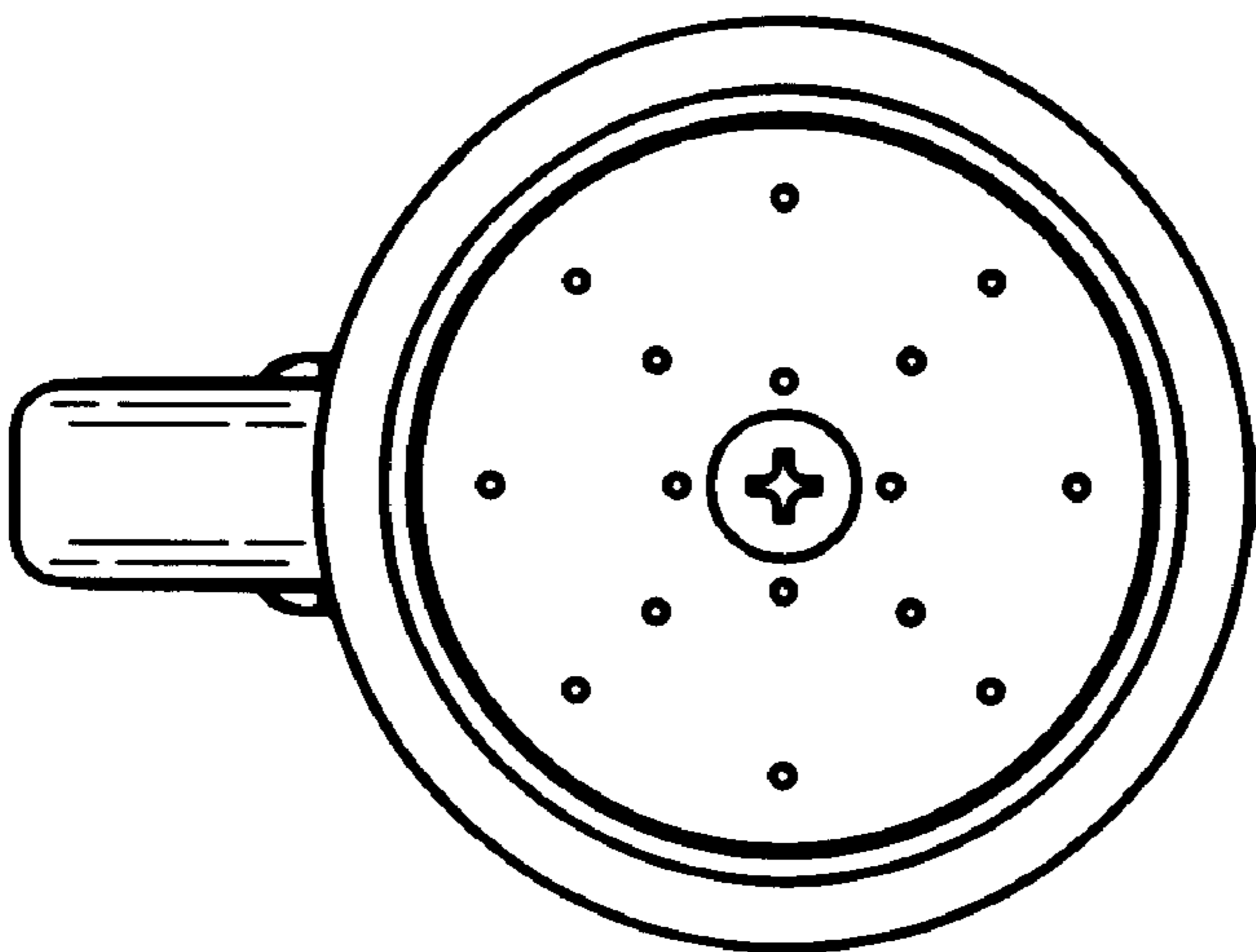


FIG. 3

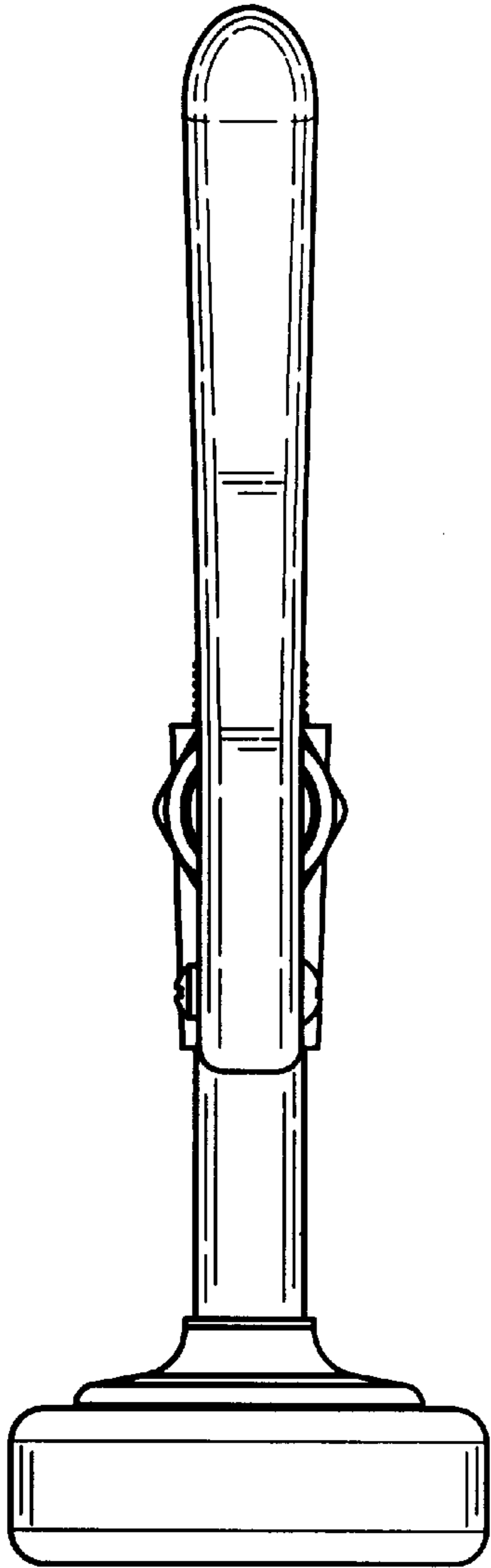


FIG. 5

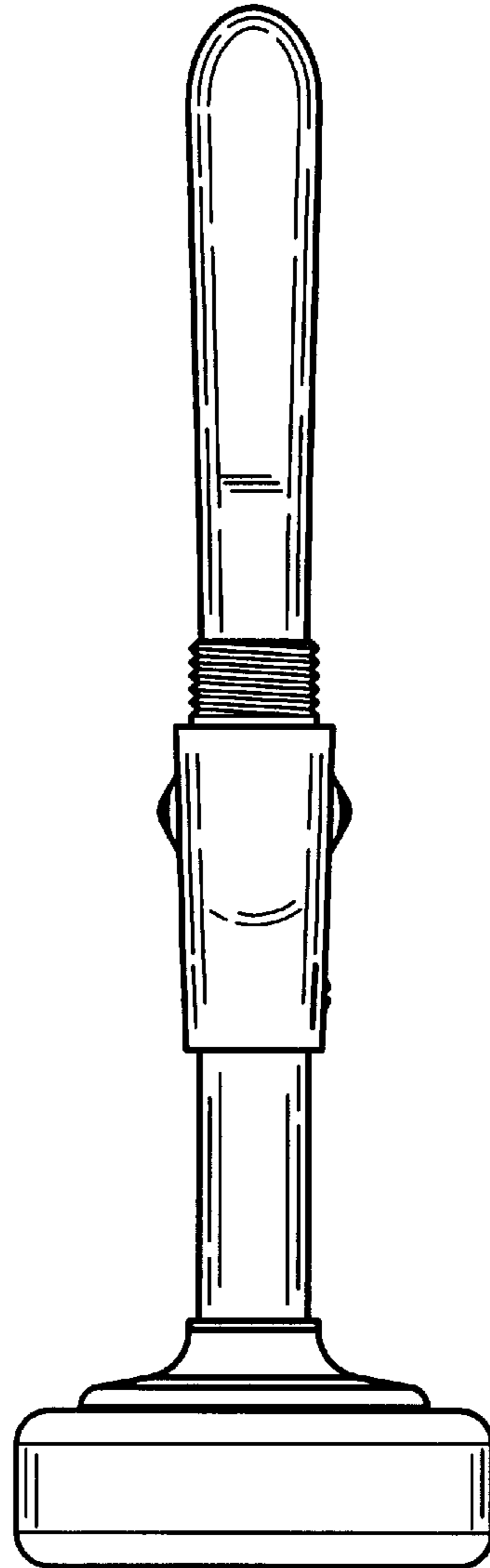


FIG. 6

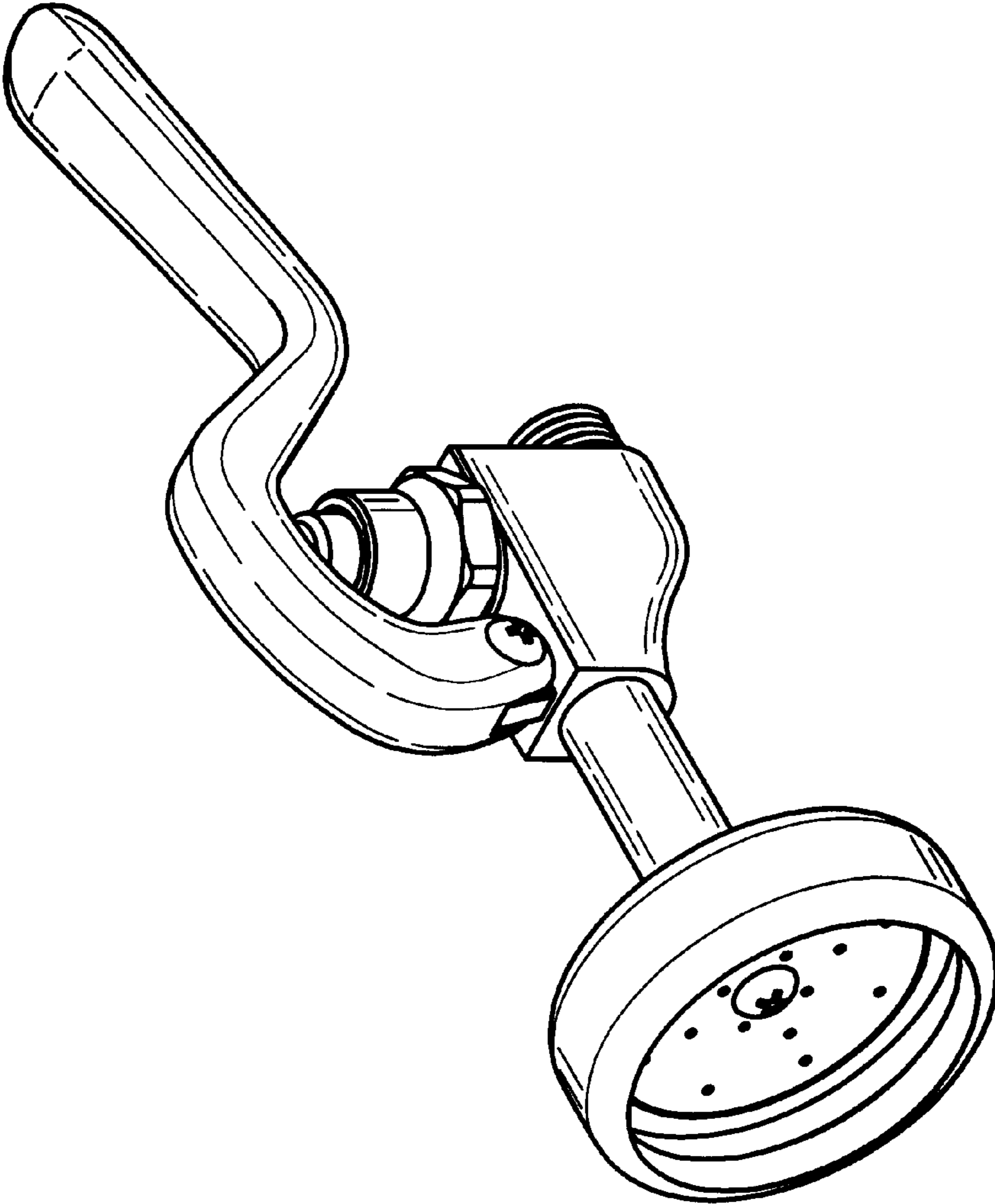


FIG. 7