



US00D538391S

(12) **United States Design Patent**
Mazzola

(10) **Patent No.:** **US D538,391 S**

(45) **Date of Patent:** **** Mar. 13, 2007**

(54) **SHOWER HEAD**

(75) **Inventor:** **Giovanni Maria Mazzola**, Valduggia (IT)

(73) **Assignee:** **Ergon S.r.L.**, Valduggia (IT)

(**) **Term:** **14 Years**

(21) **Appl. No.:** **29/254,322**

(22) **Filed:** **Feb. 23, 2006**

Related U.S. Application Data

(62) Division of application No. 29/225,591, filed on Mar. 18, 2005.

(51) **LOC (8) Cl.** **23-01**

(52) **U.S. Cl.** **D23/213**

(58) **Field of Classification Search** D23/213,
D23/229, 230; 239/282, 283, 394

See application file for complete search history.

(56) **References Cited**

U.S. PATENT DOCUMENTS

D346,428 S * 4/1994 Warshawsky D23/213

D496,987 S * 10/2004 Glunk D23/213

D517,164 S * 3/2006 Lee D23/213

* cited by examiner

Primary Examiner—Robin Webster

(74) *Attorney, Agent, or Firm*—Nixon & Vanderhye P.C.

(57) **CLAIM**

The ornamental design for a “shower head,” as shown and described.

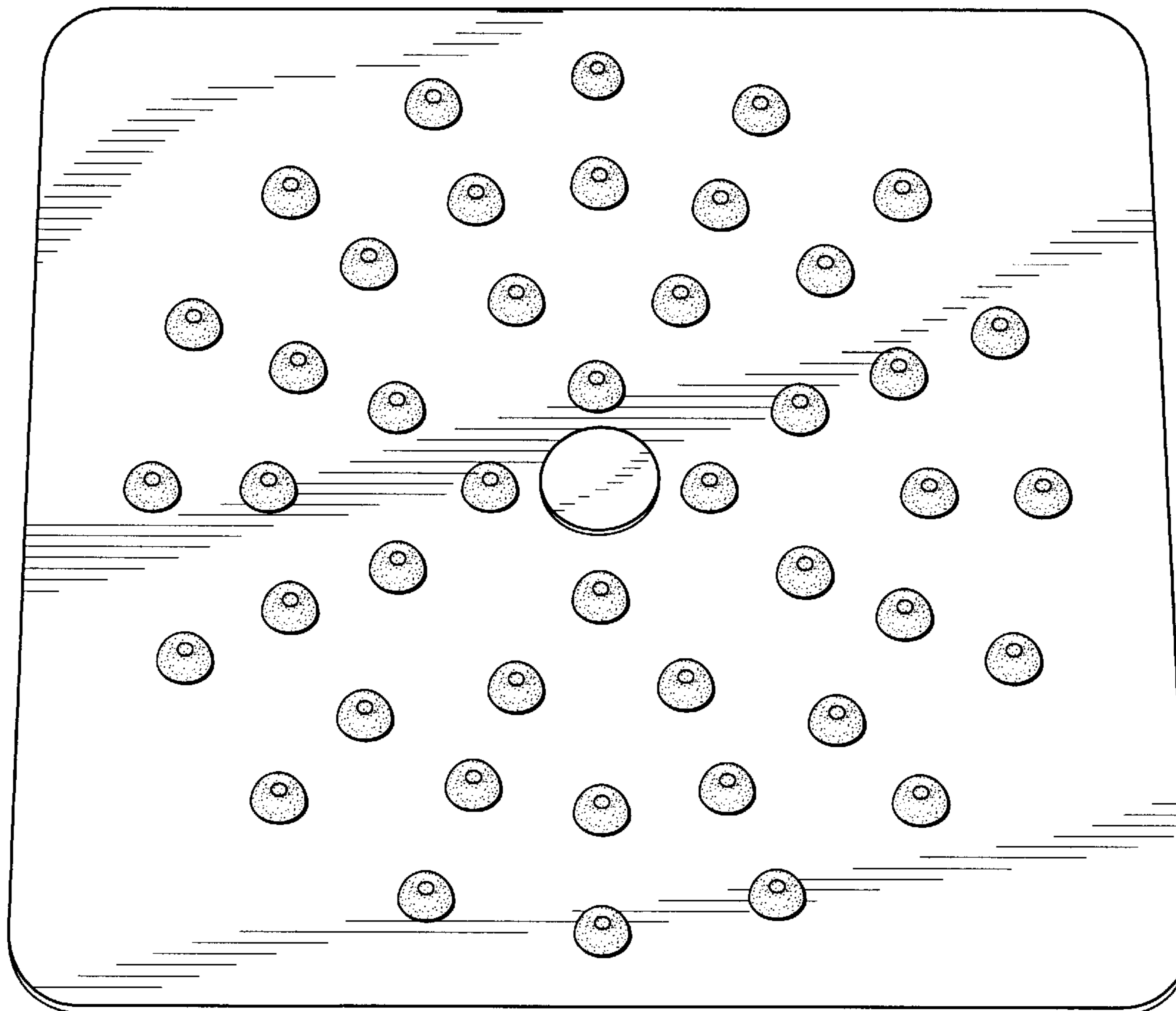
DESCRIPTION

FIG. 1 is a front view of a shower head of my design;

FIG. 2 is a front top perspective view; and,

FIG. 3 is a bottom view.

1 Claim, 2 Drawing Sheets



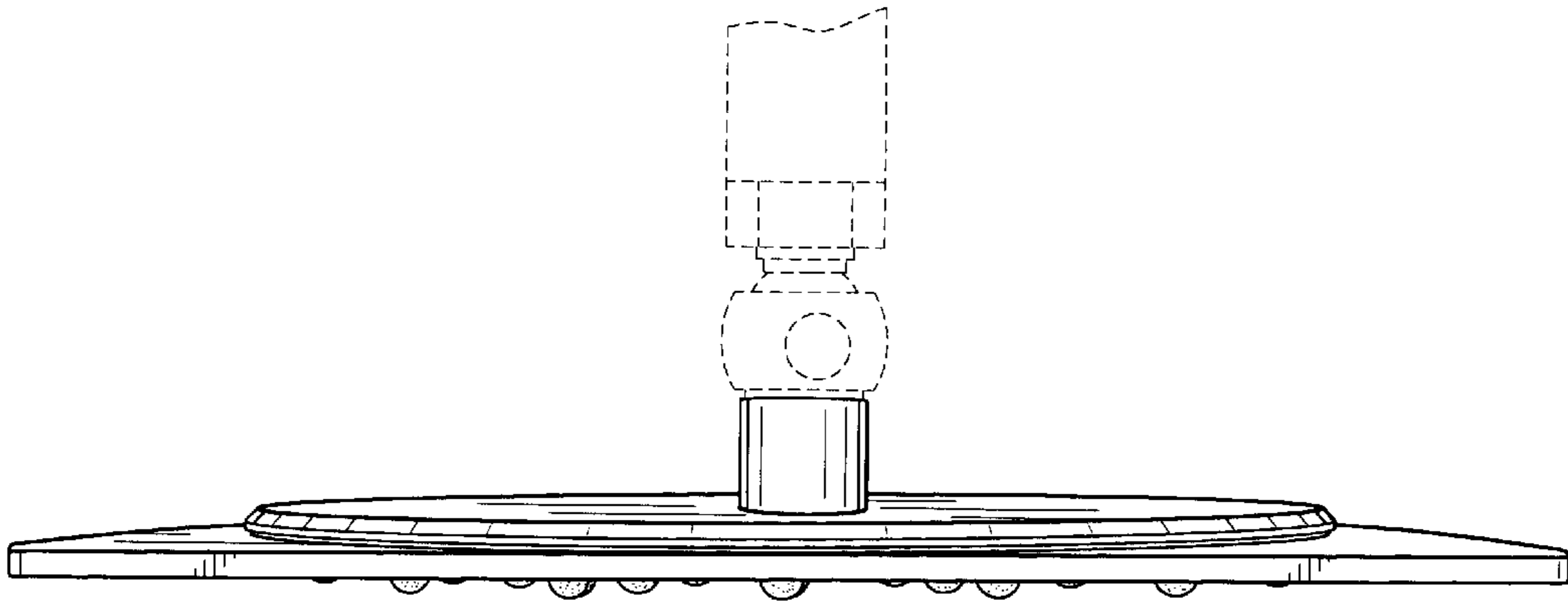


FIG. 1

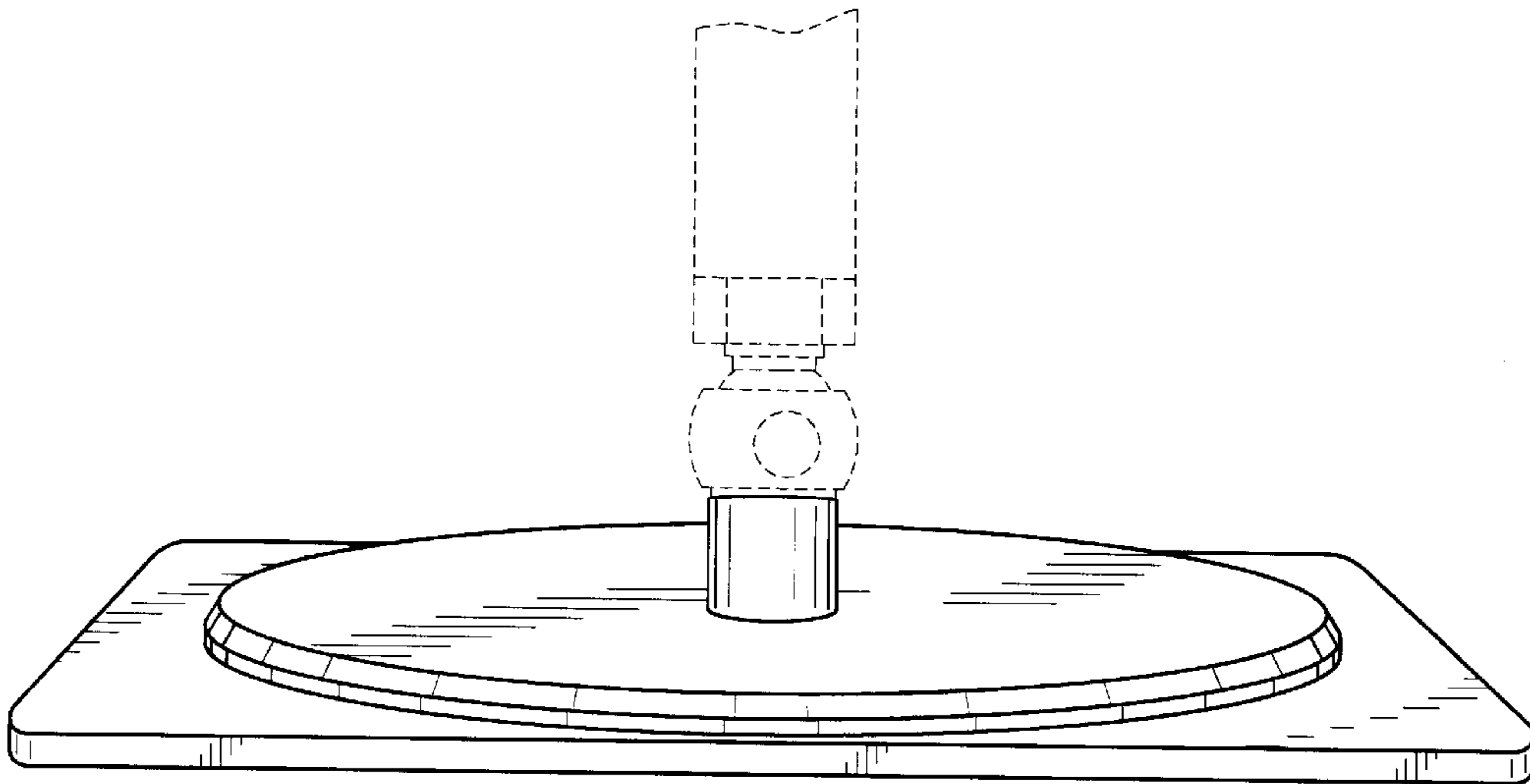


FIG. 2

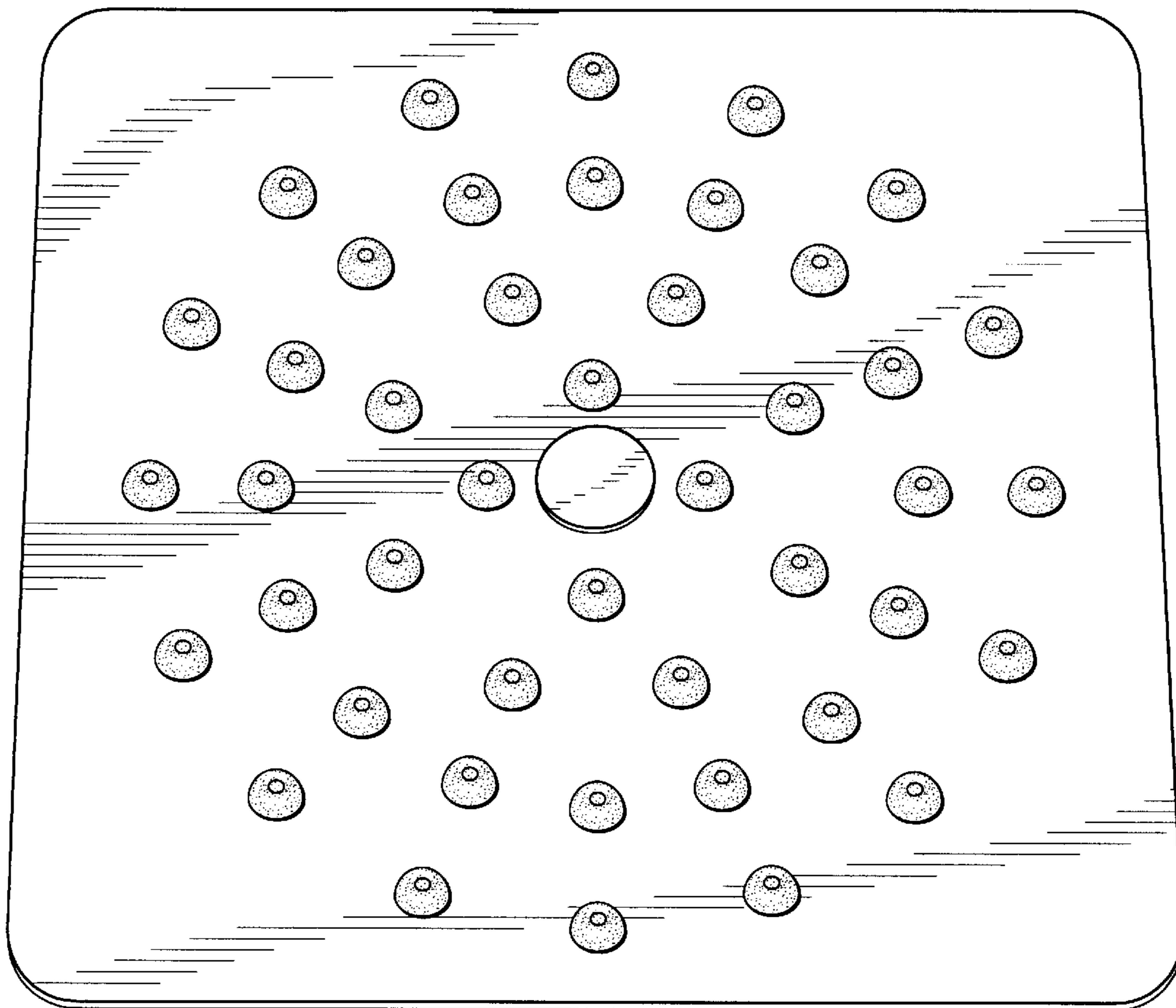


FIG. 3