



US00D538390S

(12) **United States Design Patent**  
**Sallick et al.**

(10) **Patent No.:** **US D538,390 S**

(45) **Date of Patent:** **\*\* Mar. 13, 2007**

(54) **SHOWER HEAD**

D524,905 S \* 7/2006 Hoernig ..... D23/213

(75) Inventors: **Peter Sallick**, Westport, CT (US); **Peter Shelton**, New York, NY (US); **Lee Mindel**, New York, NY (US)

\* cited by examiner

*Primary Examiner*—Robin Webster

(74) *Attorney, Agent, or Firm*—Goodwin Procter L.L.P.

(73) Assignee: **Waterworks, Inc.**, Danbury, CT (US)

(57) **CLAIM**

(\*\*) Term: **14 Years**

The ornamental design for a shower head, as shown and described.

(21) Appl. No.: **29/236,956**

**DESCRIPTION**

(22) Filed: **Aug. 24, 2005**

(51) **LOC (8) Cl.** ..... **23-01**

(52) **U.S. Cl.** ..... **D23/213; D23/229**

(58) **Field of Classification Search** ..... D23/213,  
D23/229–230; 239/282–3, 460, 462, 587.1  
See application file for complete search history.

FIG. 1 is a perspective view of the shower head showing our new design;

FIG. 2 is a front elevational view thereof;

FIG. 3 is a rear elevational view thereof;

FIG. 4 is a right side elevational view thereof, the left side being a mirror image of the right side;

FIG. 5 is a bottom plan view thereof; and,

FIG. 6 is a top plan view thereof.

The broken lines in the drawings are shown for environmental purposes only and form no part of the claimed design.

(56) **References Cited**

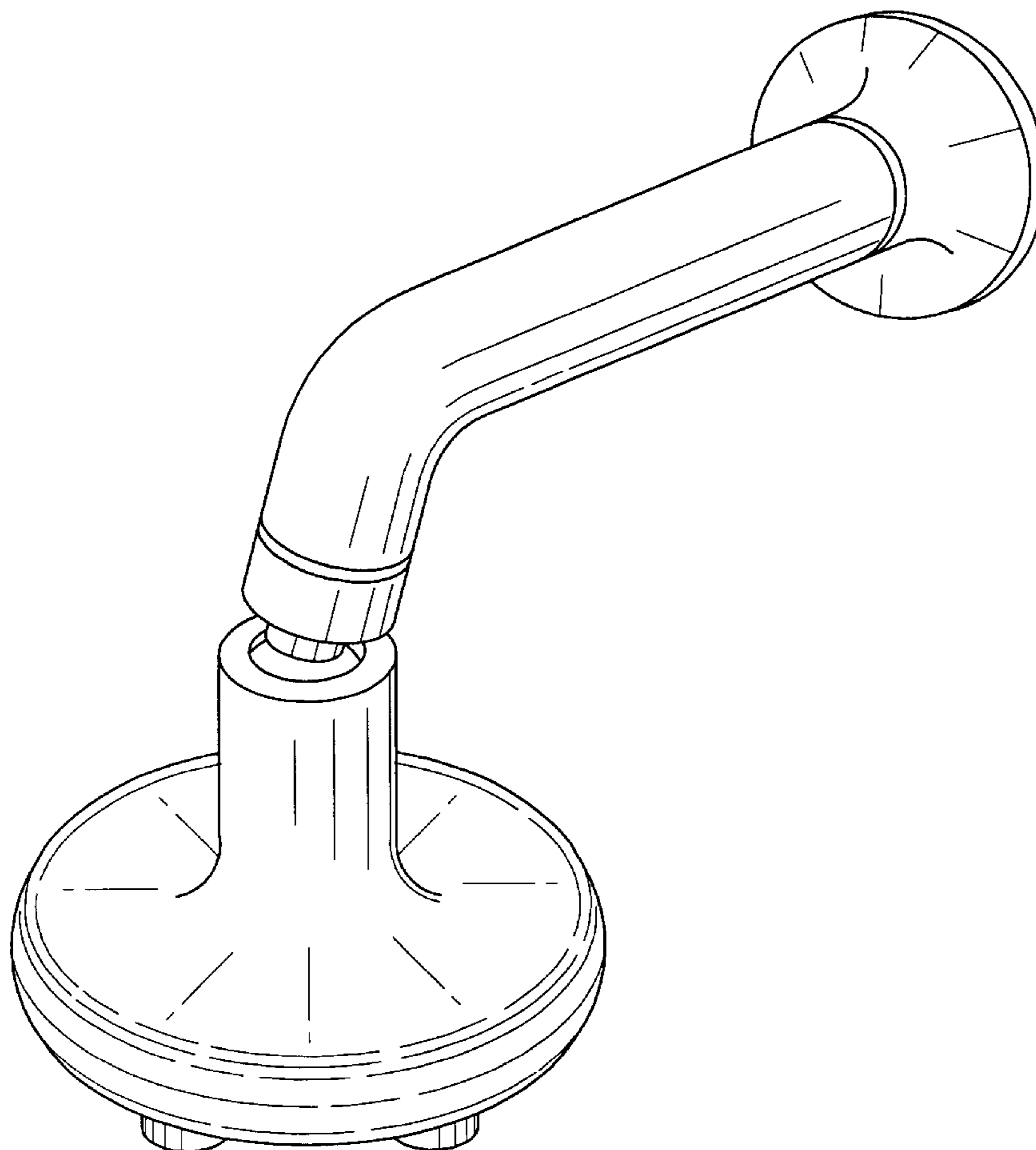
U.S. PATENT DOCUMENTS

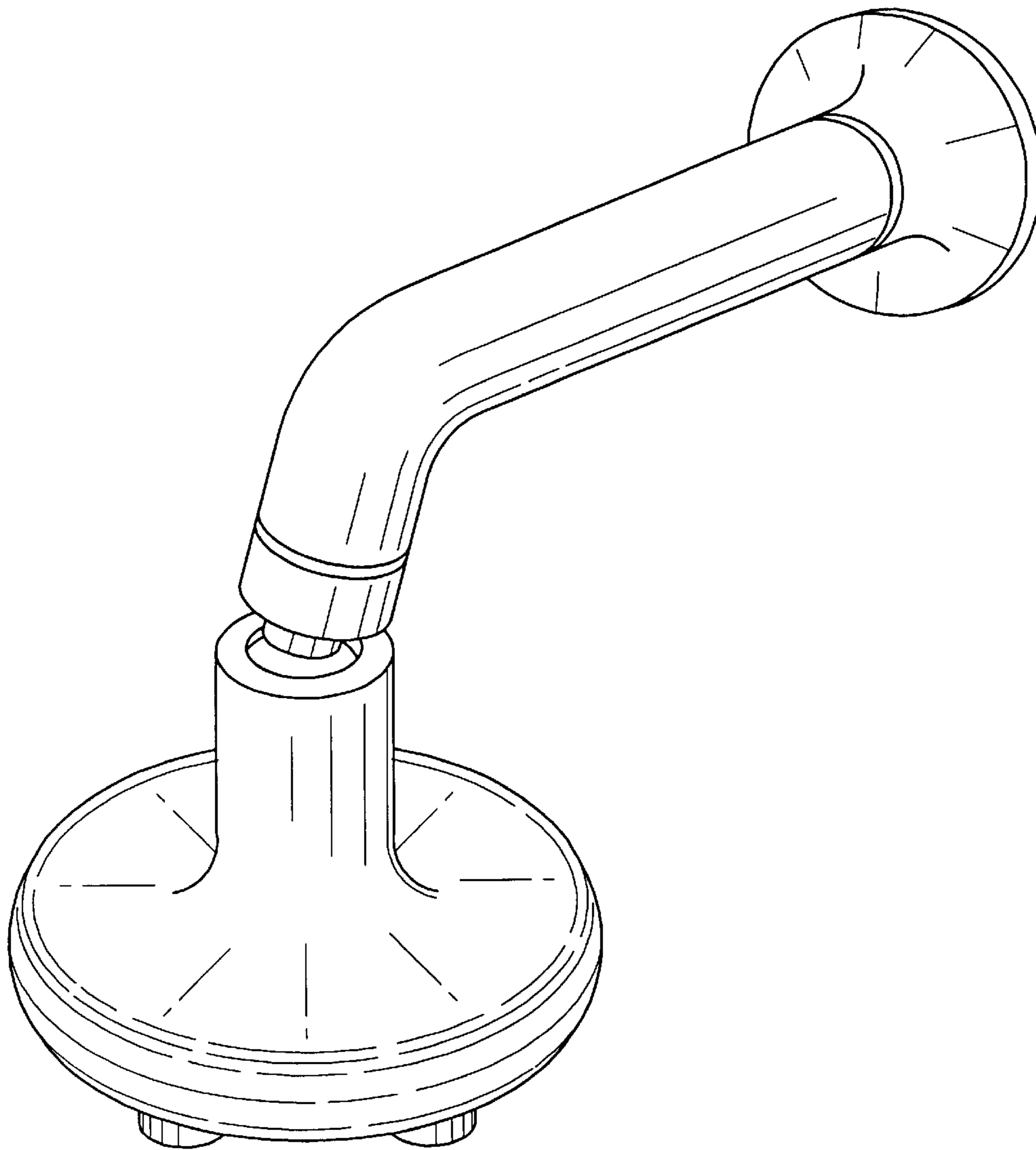
D475,433 S \* 6/2003 Citterio ..... D23/213

D498,816 S \* 11/2004 Egee ..... D23/213

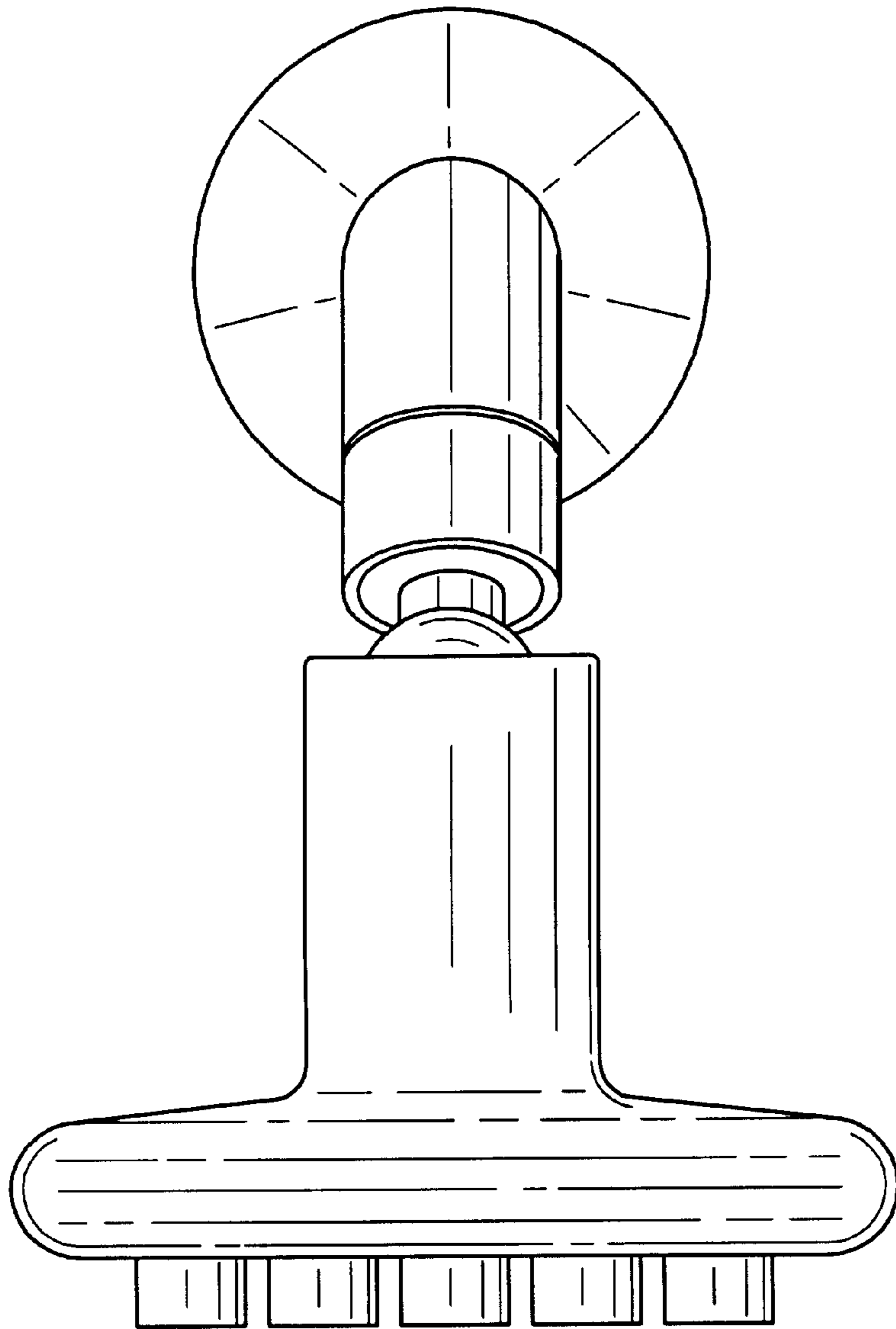
D523,520 S \* 6/2006 Theberge ..... D23/213

**1 Claim, 6 Drawing Sheets**

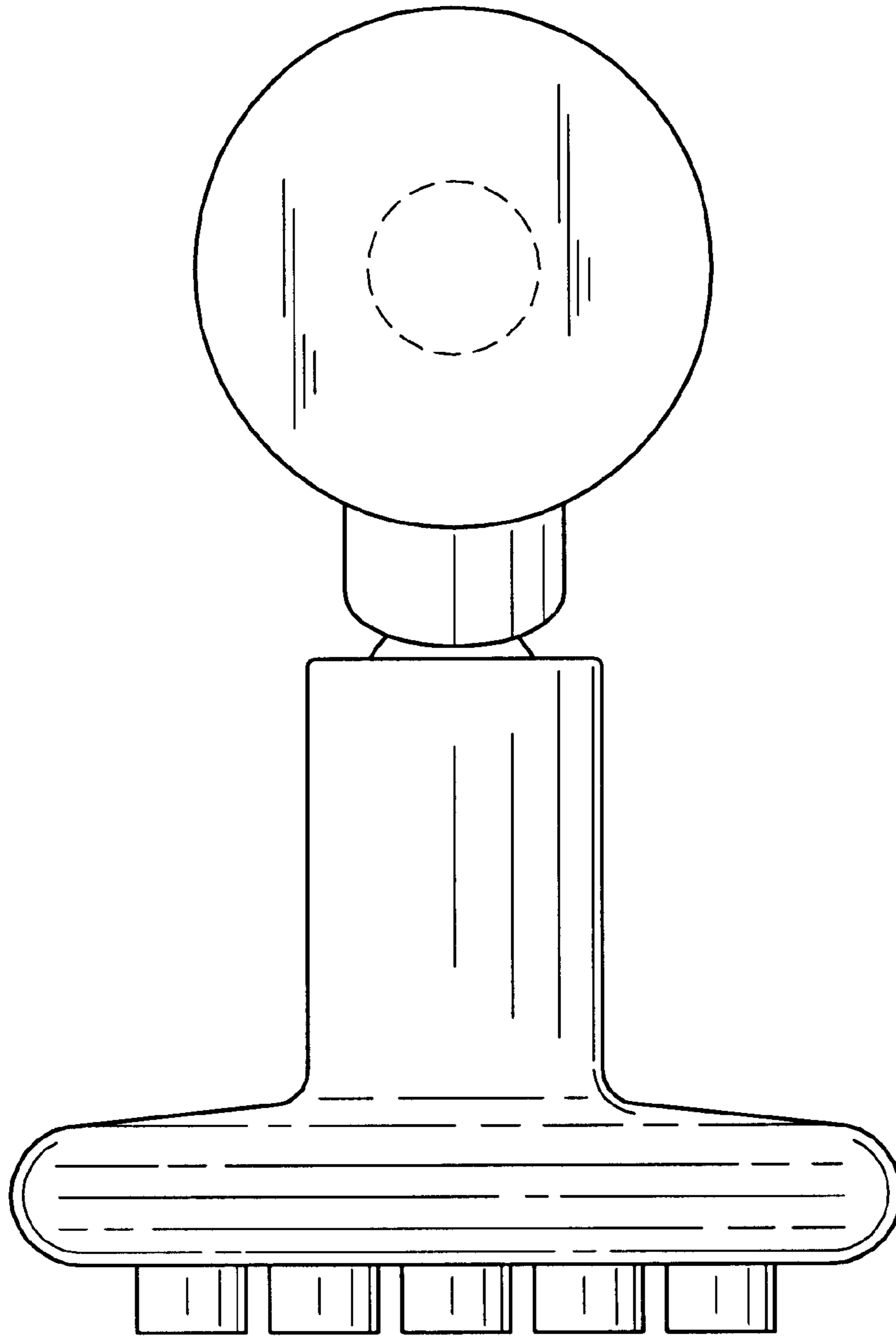




*FIG. 1*



*FIG. 2*



*FIG. 3*

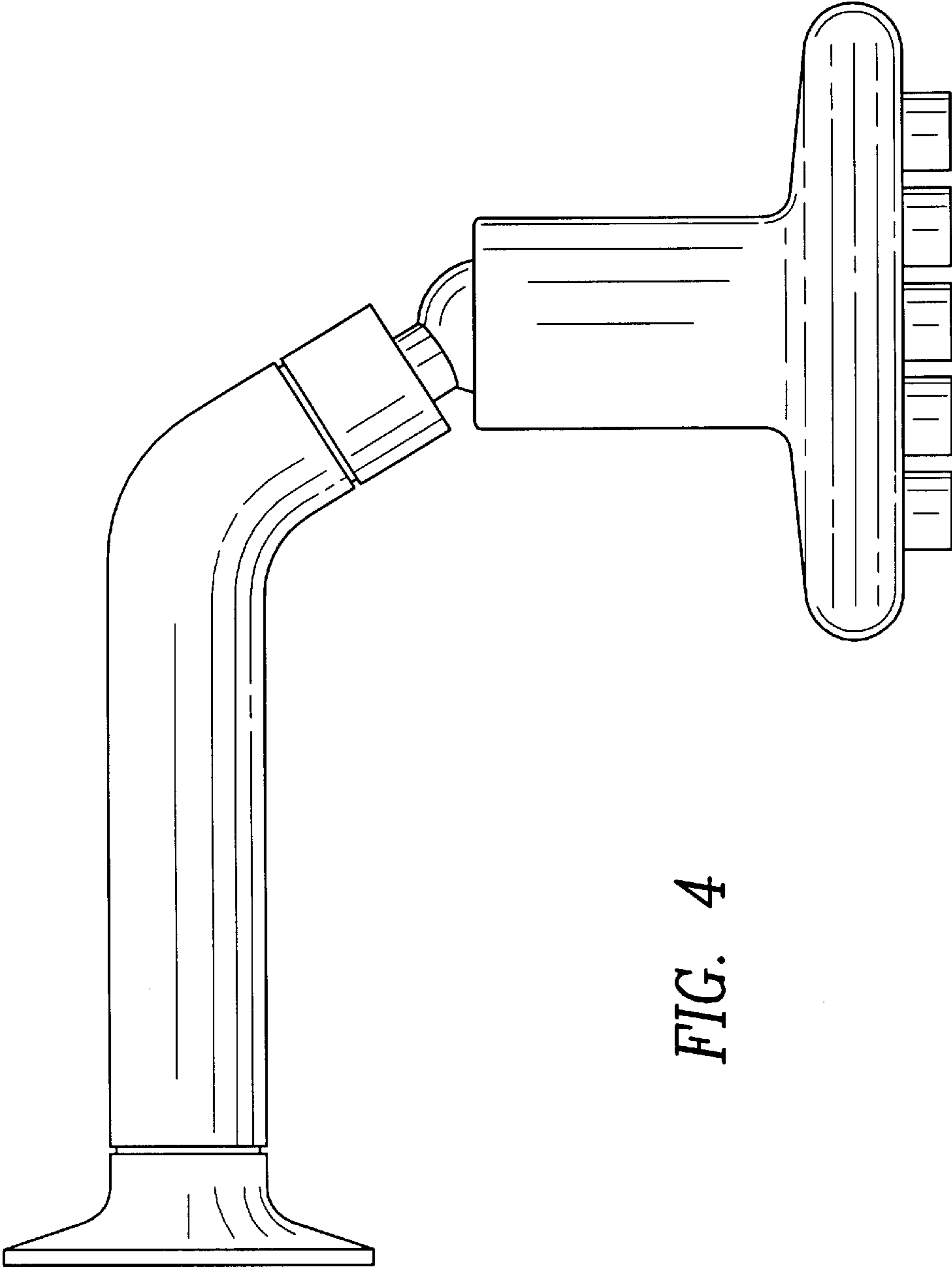


FIG. 4

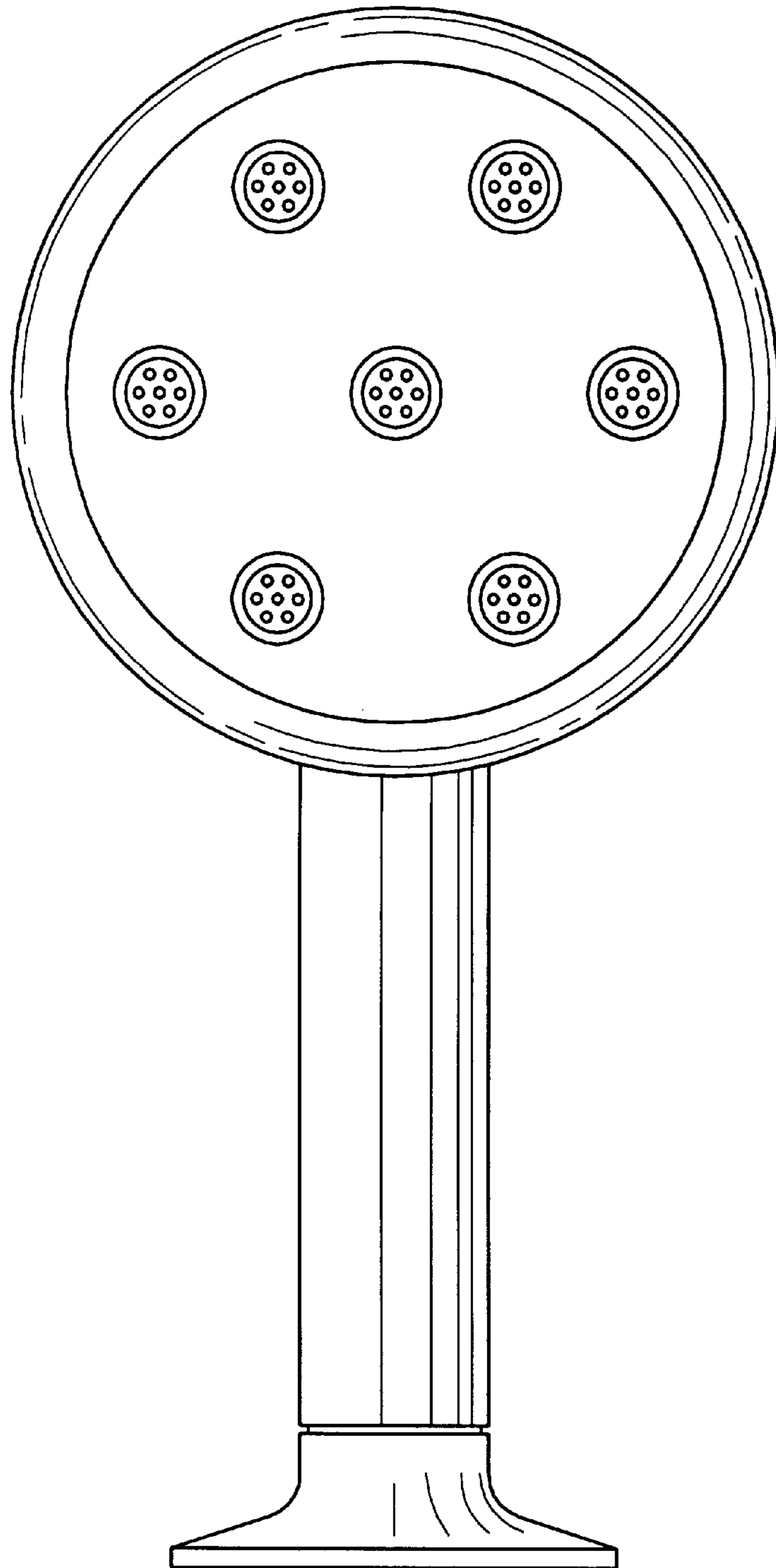


FIG. 5

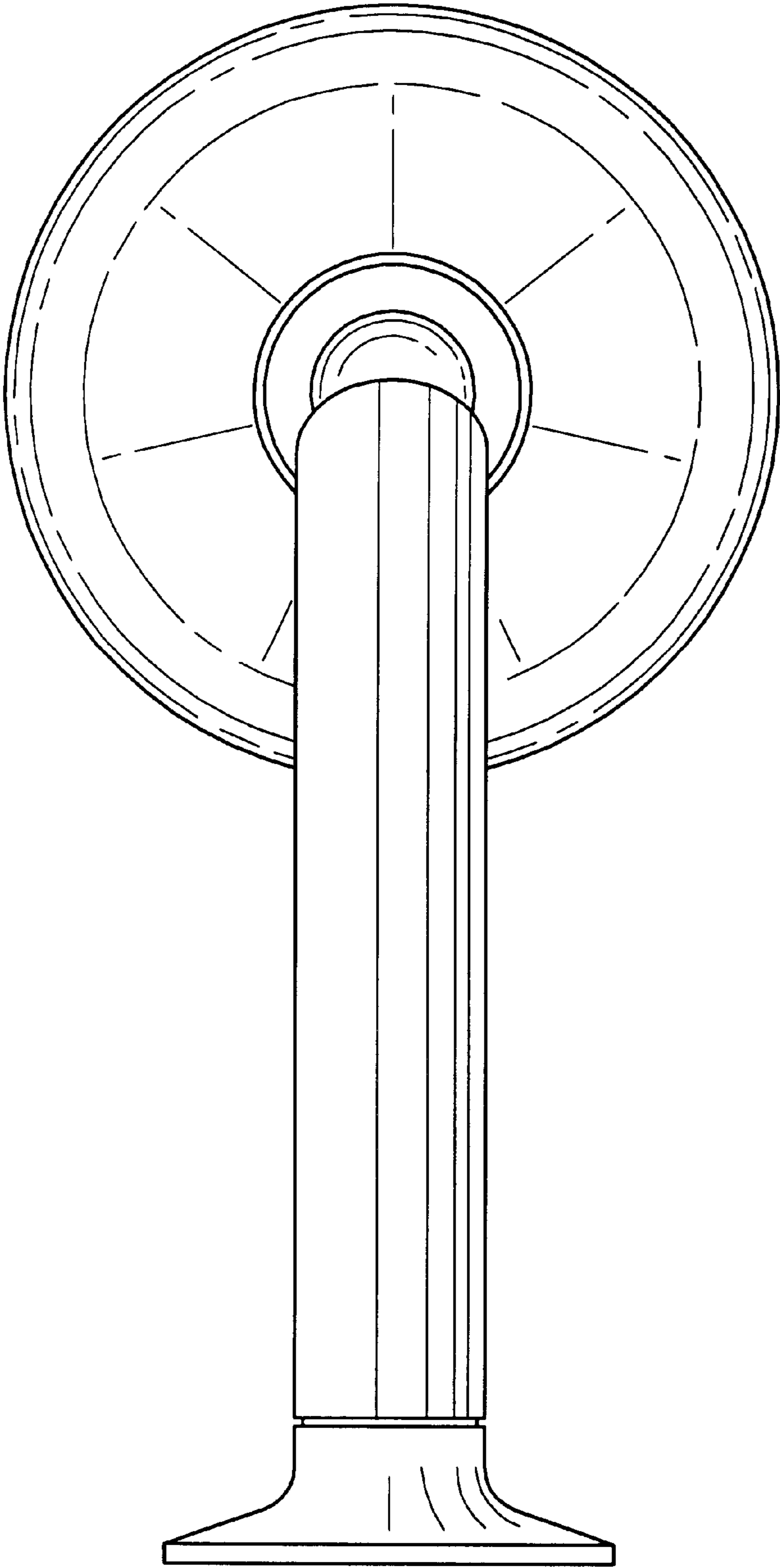


FIG. 6