



US00D538389S

(12) **United States Design Patent**
Bergstedt

(10) **Patent No.:** **US D538,389 S**
(45) **Date of Patent:** **** Mar. 13, 2007**

(54) **CAMOUFLAGE SWIMMING POOL
CHLORINATOR TOP**

(76) Inventor: **Russell E. Bergstedt**, 3709 E. Dakota
Dr., Phoenix, AZ (US) 85044

(**) Term: **14 Years**

(21) Appl. No.: **29/229,392**

(22) Filed: **May 6, 2005**

(51) **LOC (8) Cl.** **23-01**

(52) **U.S. Cl.** **D23/208**

(58) **Field of Classification Search** D23/208,
D23/210; 210/169, 416.2; 422/264-5
See application file for complete search history.

(56) **References Cited**

U.S. PATENT DOCUMENTS

D224,401 S	*	7/1972	Clinton	D23/207
3,740,303 A	*	6/1973	Alderson et al.	428/17
3,792,979 A	*	2/1974	Clinton	422/265
D371,824 S	*	7/1996	Price et al.	D23/208
D510,404 S	*	10/2005	Thompson	D23/208

* cited by examiner

Primary Examiner—Robin Webster

(57) **CLAIM**

The ornamental design for a camouflage swimming pool chlorinator top, as shown and described.

DESCRIPTION

FIG. 1 is a top, plan view of one embodiment of a camouflage swimming pool chlorinator top incorporating the new

design simulating, by shading, in miniature: a golf green, cup, sand traps, and rolling fairway approach to a sloping green located on a simulated island;

FIG. 2 is an off-angle, perspective view of one aspect of the camouflage swimming pool chlorinator top of FIG. 1 additionally simulating, by shading, golf course rough and shoreline rocks in relationship to a conventional swimming pool chlorinator base shown in broken line which is for illustrative purposes only and forms no part of the claimed design;

FIG. 3 is an off-angle, perspective view of a second aspect of the camouflage swimming pool chlorinator top of FIG. 1 additionally simulating, by shading, a timber retaining wall;

FIG. 4 is an off-angle, perspective view of a third aspect of the camouflage swimming pool chlorinator top of FIG. 1;

FIG. 5 is an off-angle, perspective view of a fourth aspect of the camouflage swimming pool chlorinator top of FIG. 1;

FIG. 6 is a underside plan view of the camouflage swimming pool chlorinator top of FIG. 1 showing the cap locking mechanism in broken line for illustrative purposes only and forms no part of the claimed design;

FIG. 7 is an exploded off-angle perspective view of the FIG. 1 aspect of the camouflage swimming pool chlorinator top relative to a conventional swimming pool chlorinator which is for illustrative purposes only and forms no part of the claimed design; and,

FIG. 8 is an off-angle, perspective view of one aspect of a second embodiment of a camouflage swimming pool chlorinator top according to the principles of the present invention incorporating in miniature, a flagstick.

The broken line showings of a conventional swimming pool chlorinator in FIGS. 2-7 are for illustrative purposes only and form no part of the claimed design.

1 Claim, 5 Drawing Sheets

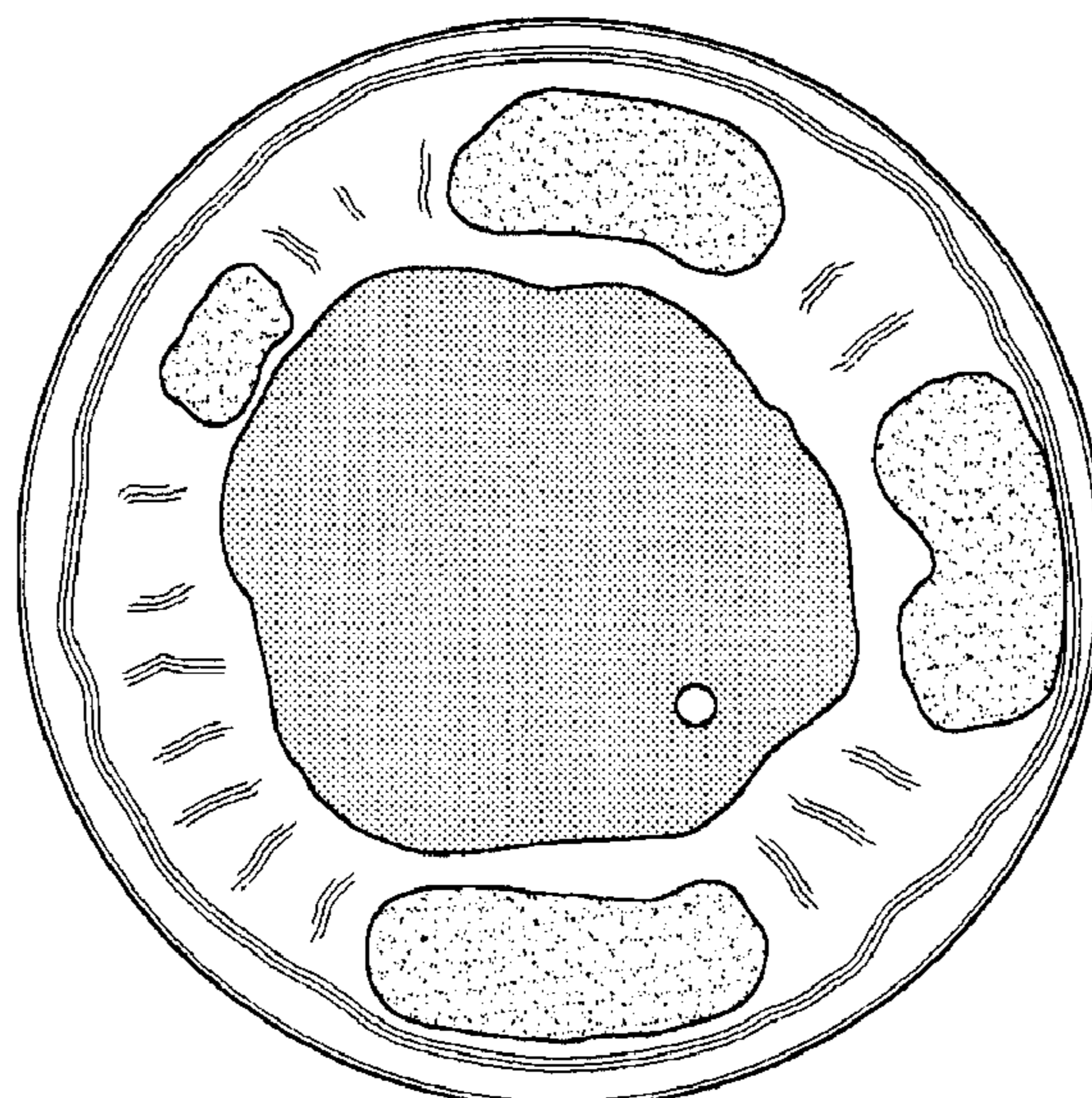


FIG. 1

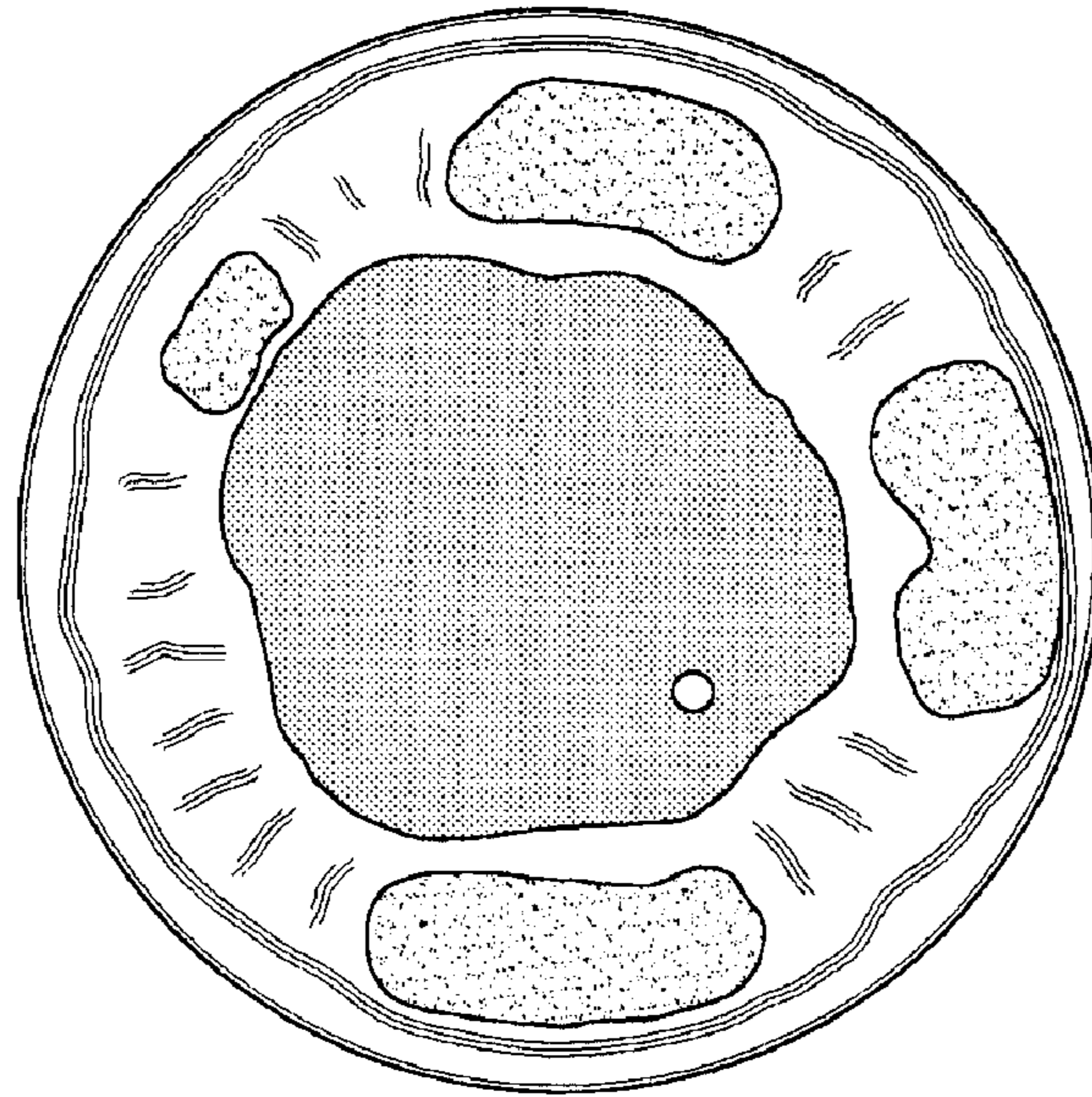


FIG. 2

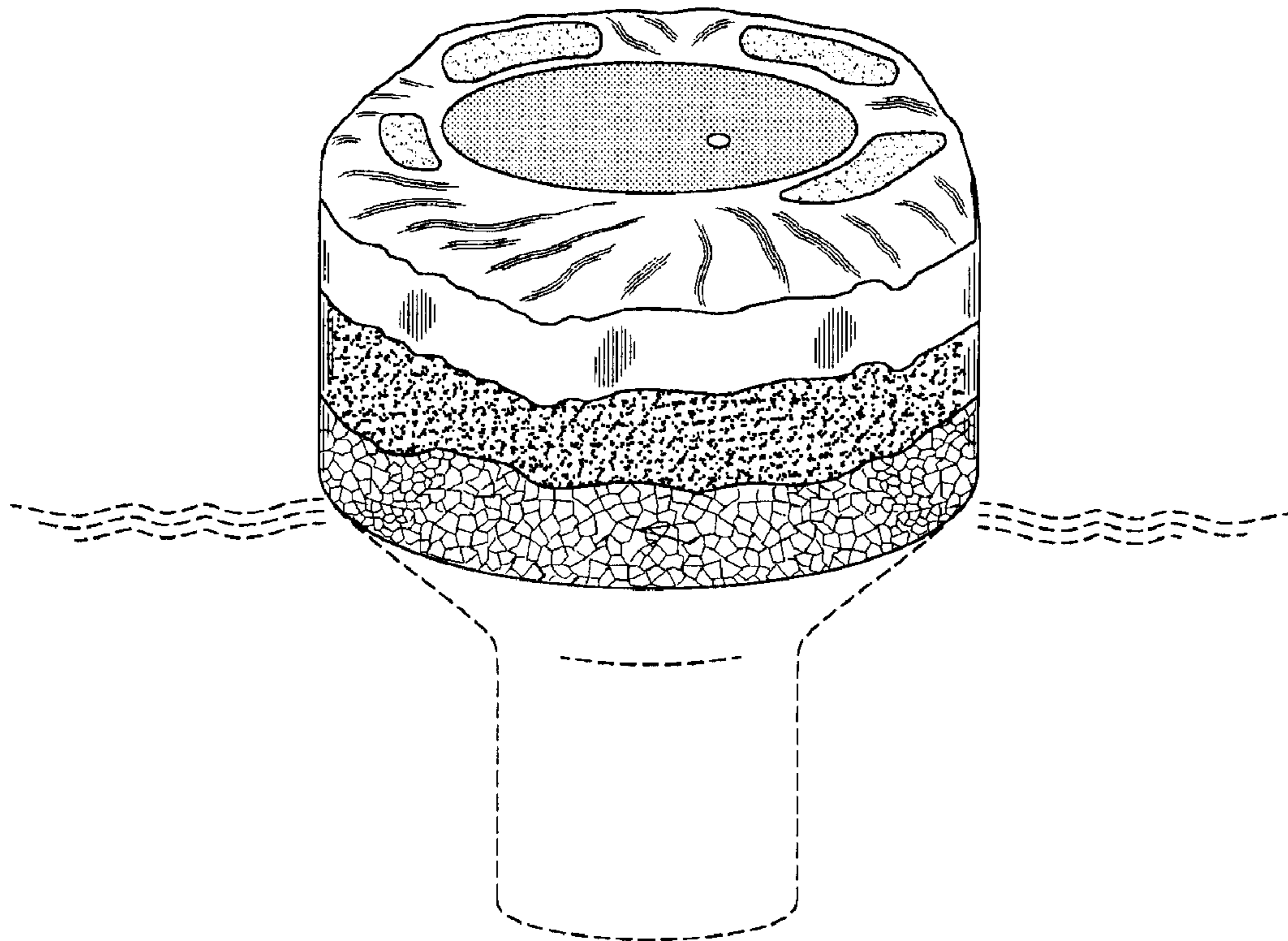


FIG. 3

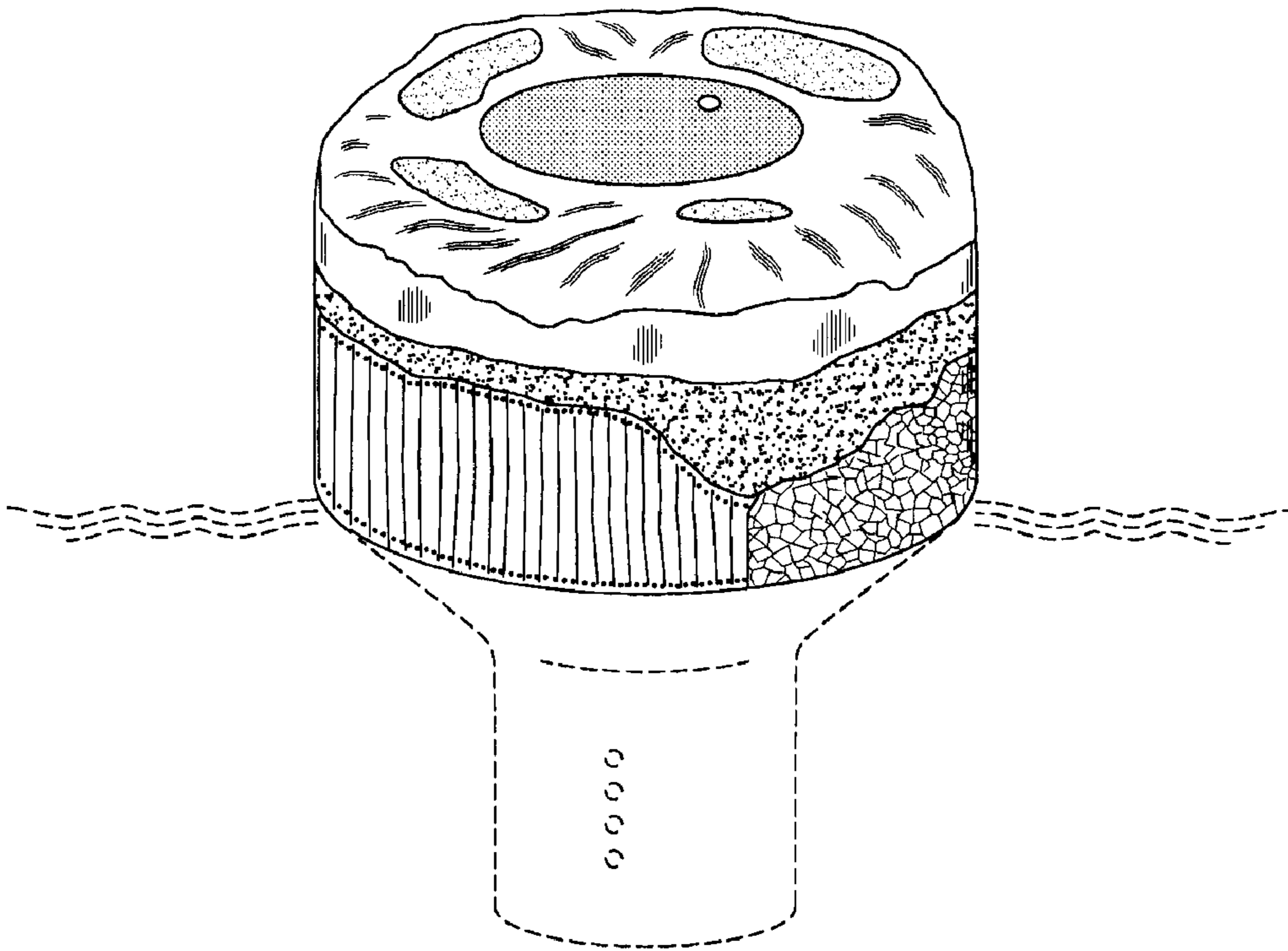


FIG. 4

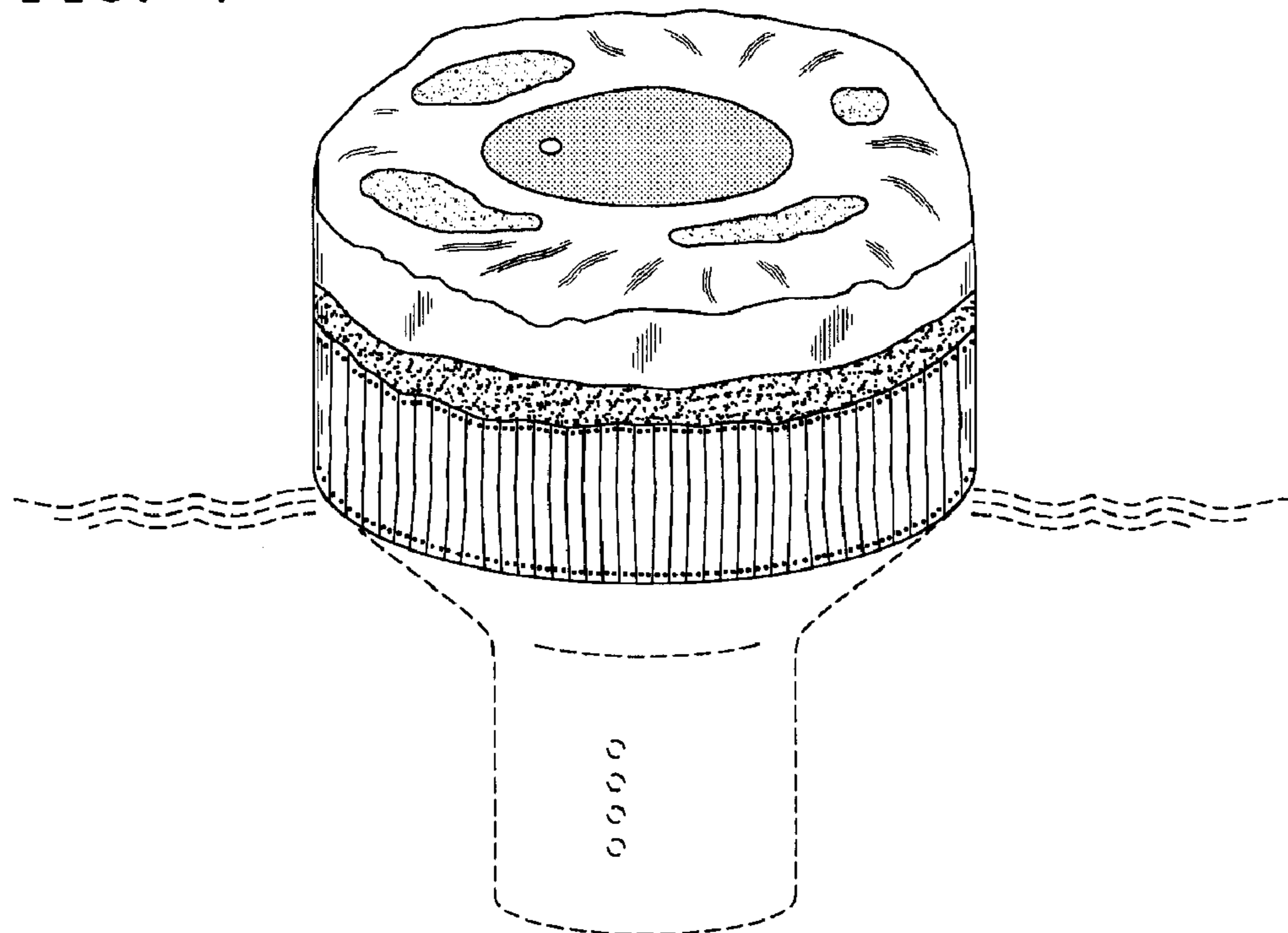


FIG. 5

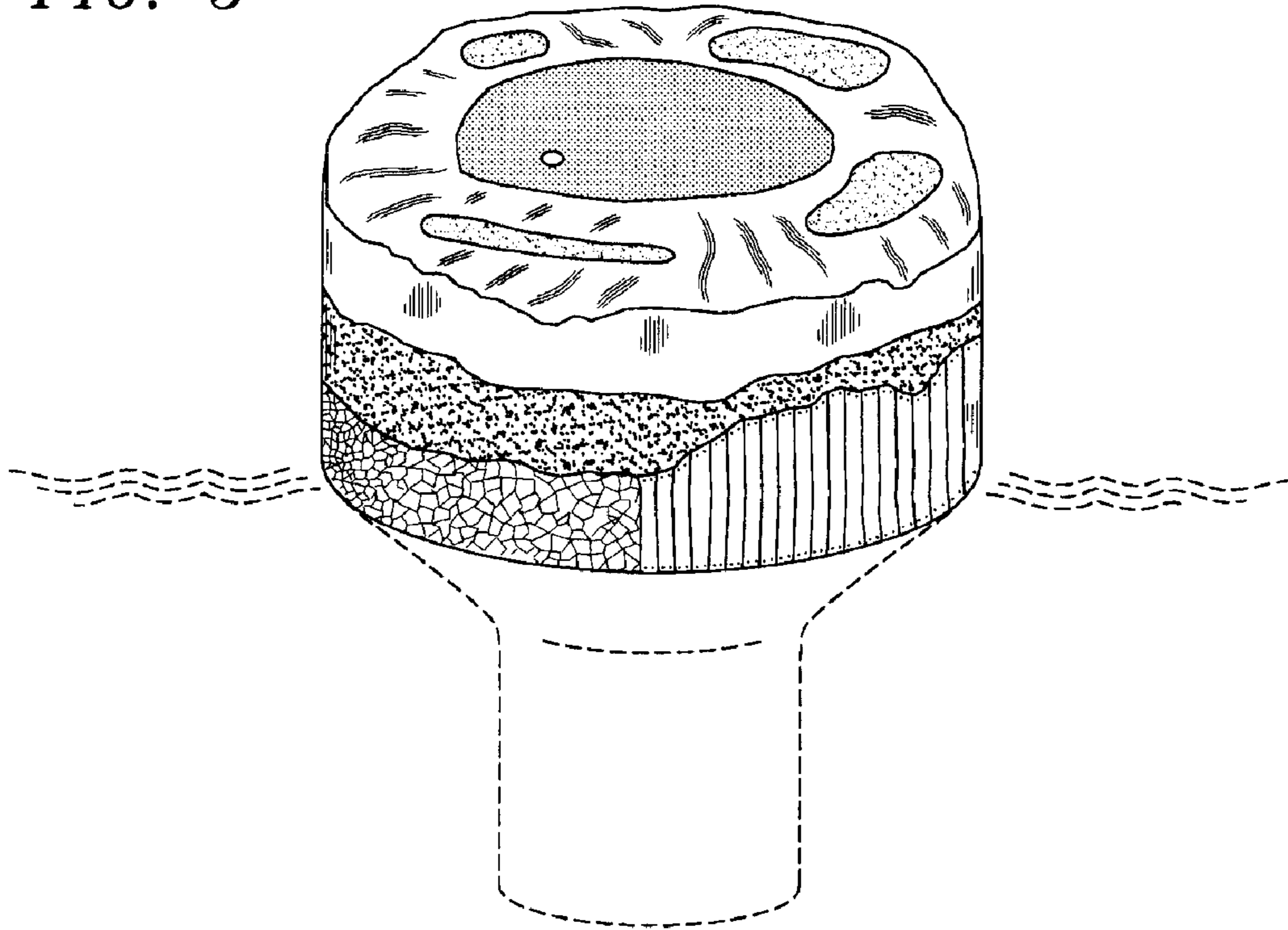


FIG. 6

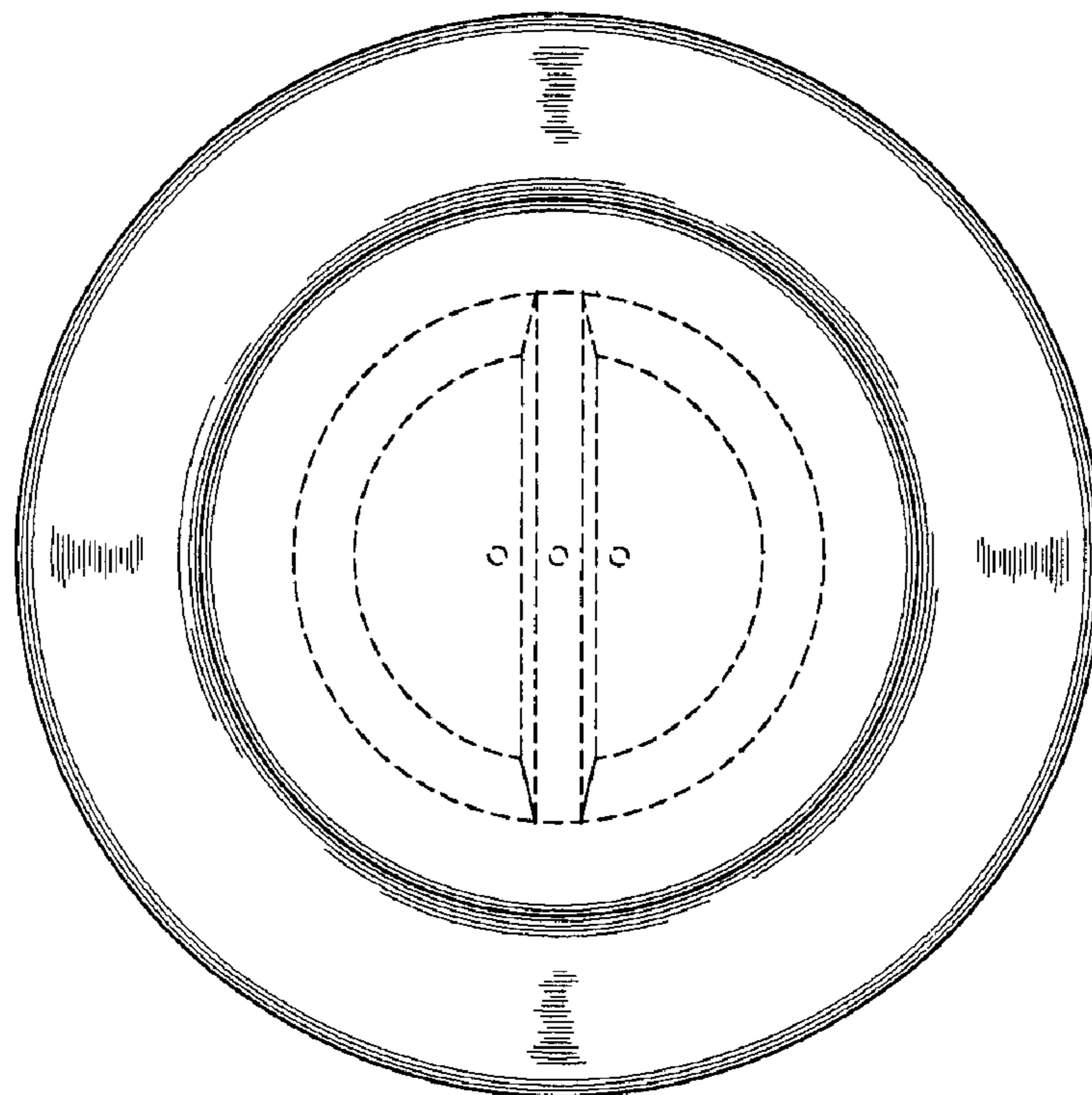


FIG. 7

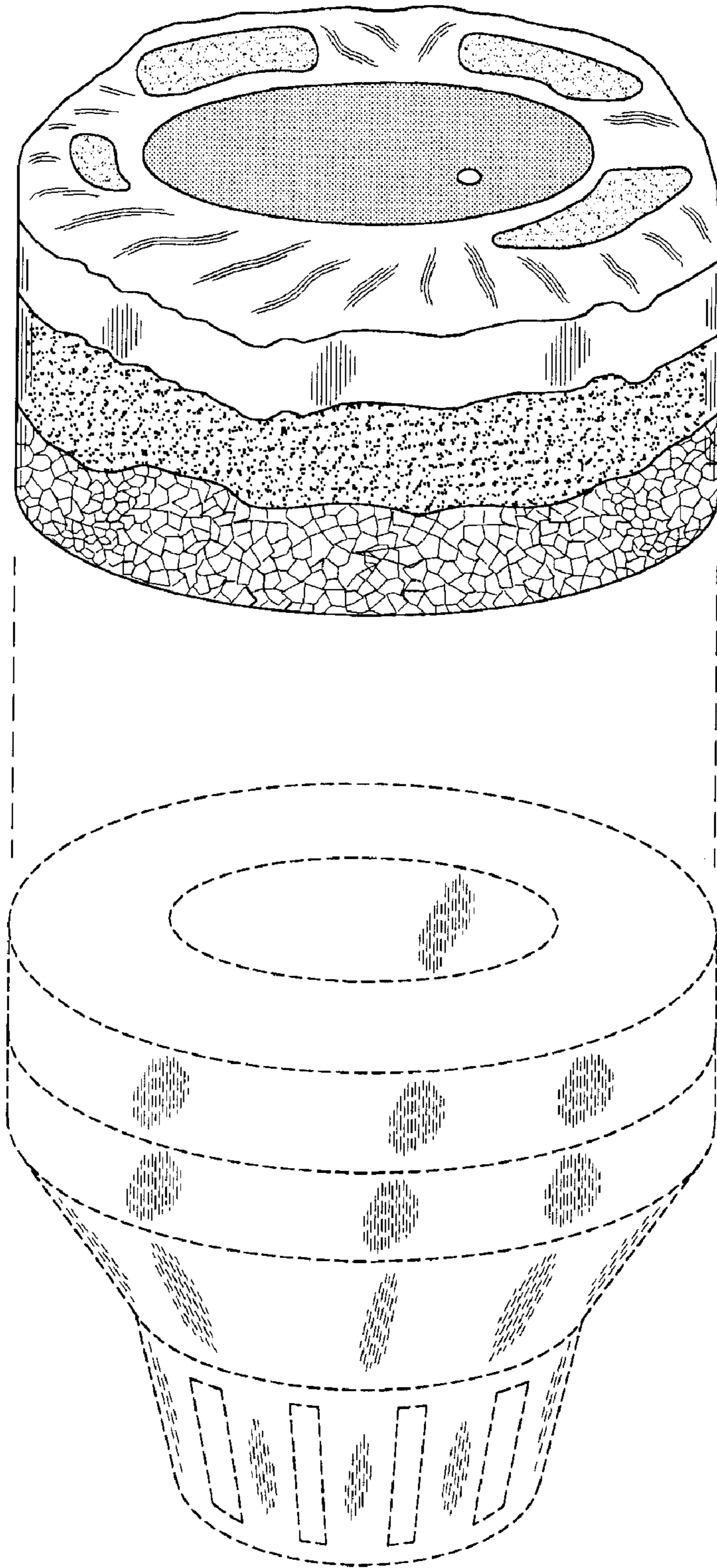


FIG. 8

