



US00D538388S

(12) **United States Design Patent**  
**Benecke**

(10) **Patent No.:** **US D538,388 S**

(45) **Date of Patent:** **\*\* Mar. 13, 2007**

(54) **LEACHING CHAMBER END CAP**

2003/0219319 A1 11/2003 Burnes et al.  
2005/0074285 A1 4/2005 Burnes et al.

(75) Inventor: **Arnold George Benecke**, Wharton, OH (US)

\* cited by examiner

(73) Assignee: **Hancor, Inc.**, Hilliard, OH (US)

*Primary Examiner*—Robin Webster  
(74) *Attorney, Agent, or Firm*—R.D. Johnson & Associates, P.C.; Rooney D. Johnson, Esq.

(\*\*) Term: **14 Years**

(57) **CLAIM**

(21) Appl. No.: **29/233,385**

The ornamental design for a leaching chamber end cap, as shown and described.

(22) Filed: **Jul. 1, 2005**

(51) **LOC (8) Cl.** ..... **23-01**

(52) **U.S. Cl.** ..... **D23/207**

(58) **Field of Classification Search** ..... D23/207,  
D23/261; 210/170; 405/42, 43, 48, 49  
See application file for complete search history.

**DESCRIPTION**

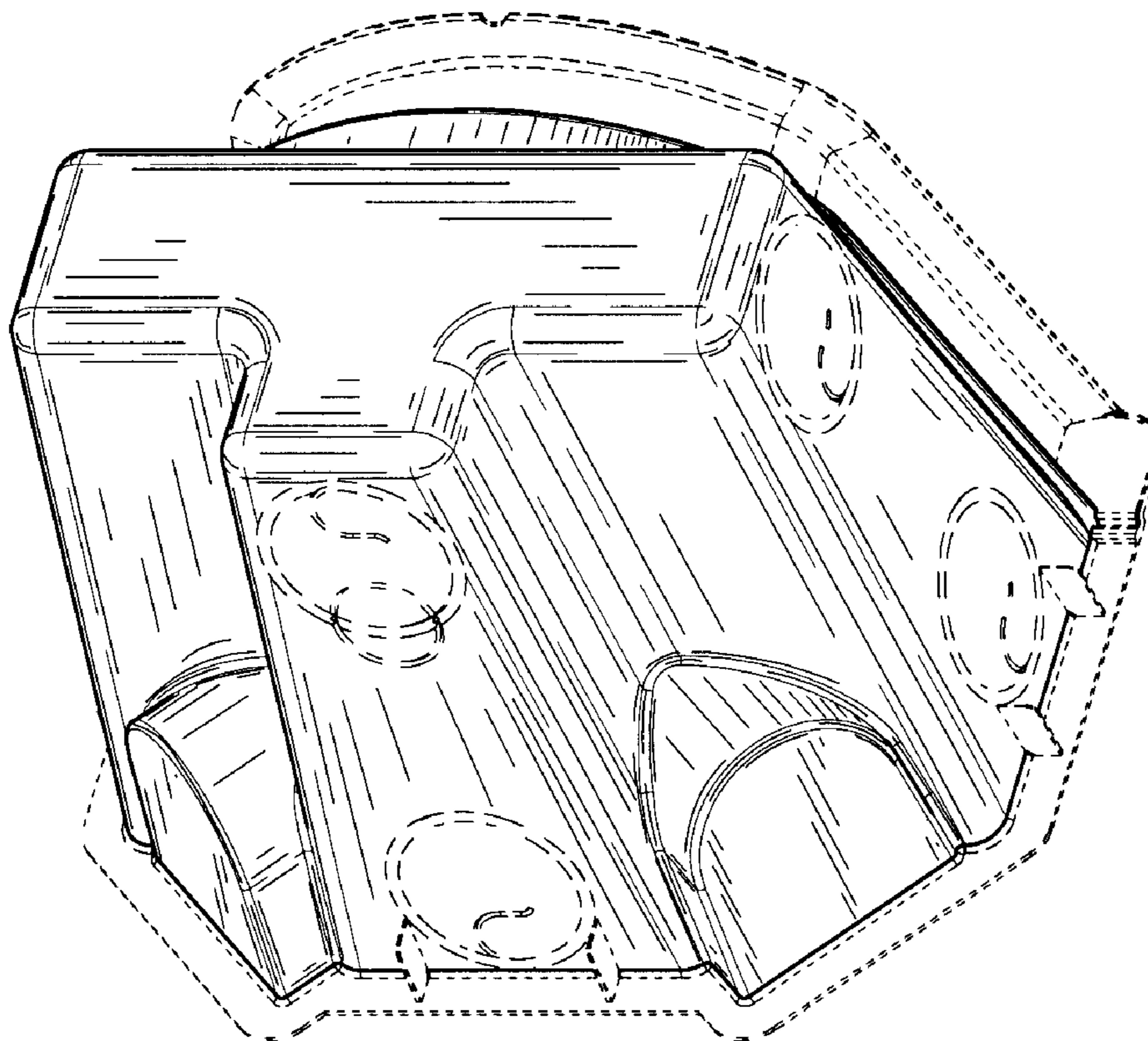
FIG. 1 is a perspective view of a leaching chamber end cap embodying the ornamental design of the present invention; FIG. 2 is a top view thereof; FIG. 3 is a front view thereof; FIG. 4 is a rear view thereof; FIG. 5 is a side view thereof; and, FIG. 6 is an opposite side view thereof. The broken lines in FIGS. 1–6 are for illustrative purposes only and form no part of the claimed design.

(56) **References Cited**

U.S. PATENT DOCUMENTS

4,445,542	A	*	5/1984	Fouss et al.	.....	138/94
5,556,231	A	*	9/1996	Sidaway et al.	.....	405/48
6,602,023	B2	*	8/2003	Crescenzi et al.	.....	405/42
6,698,975	B1	*	3/2004	Benecke	.....	405/43

**1 Claim, 3 Drawing Sheets**



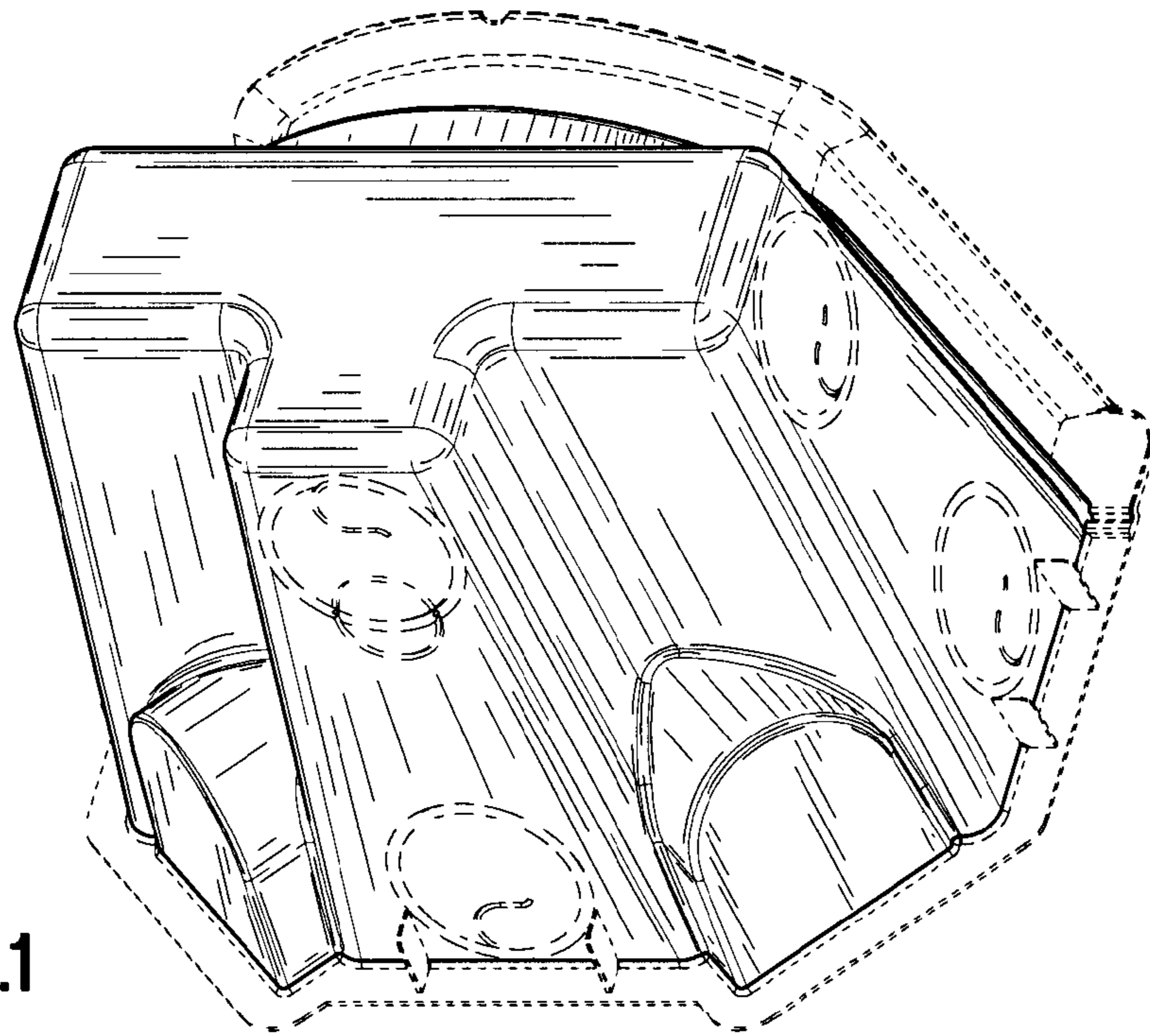


Fig.1

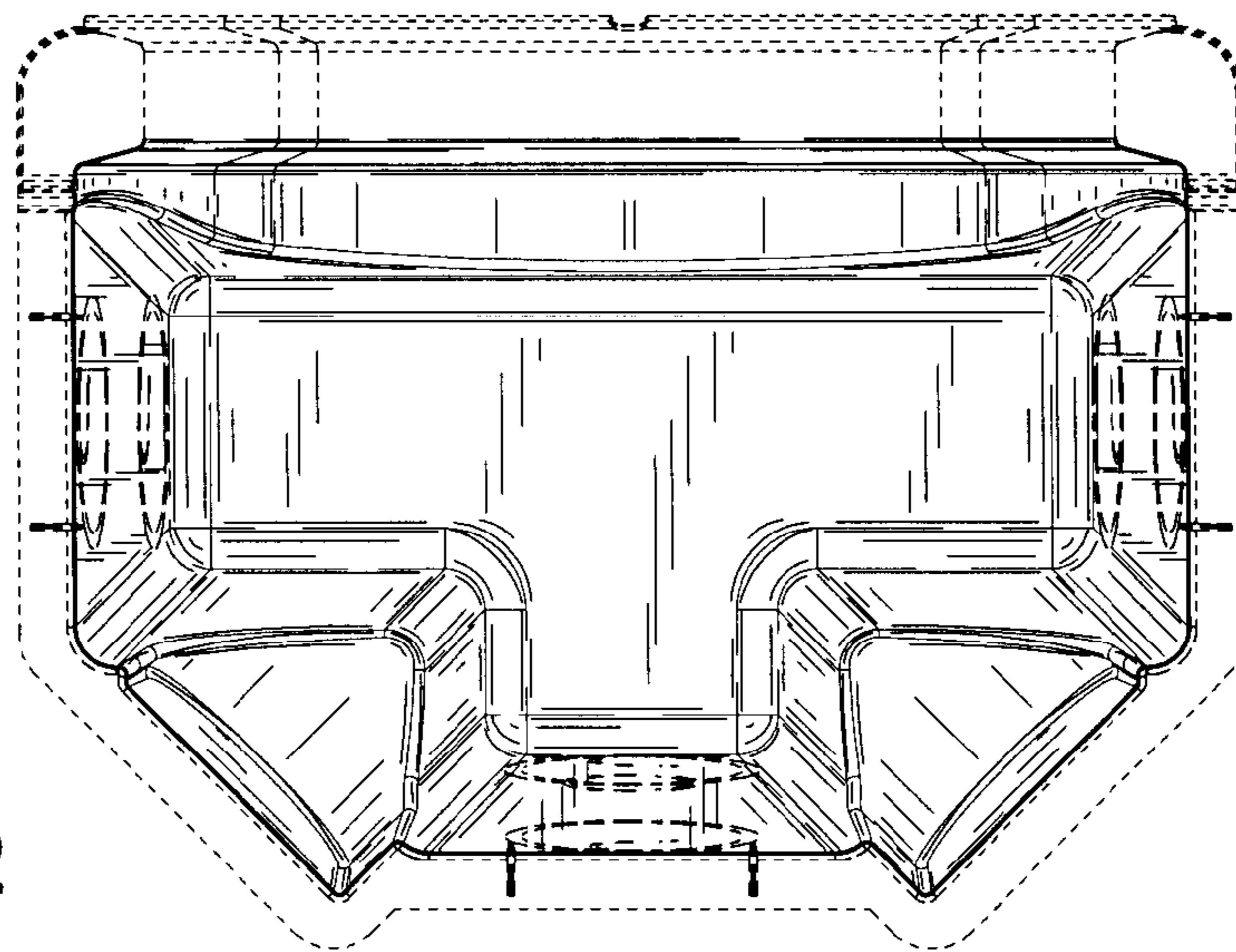


Fig.2

Fig.3

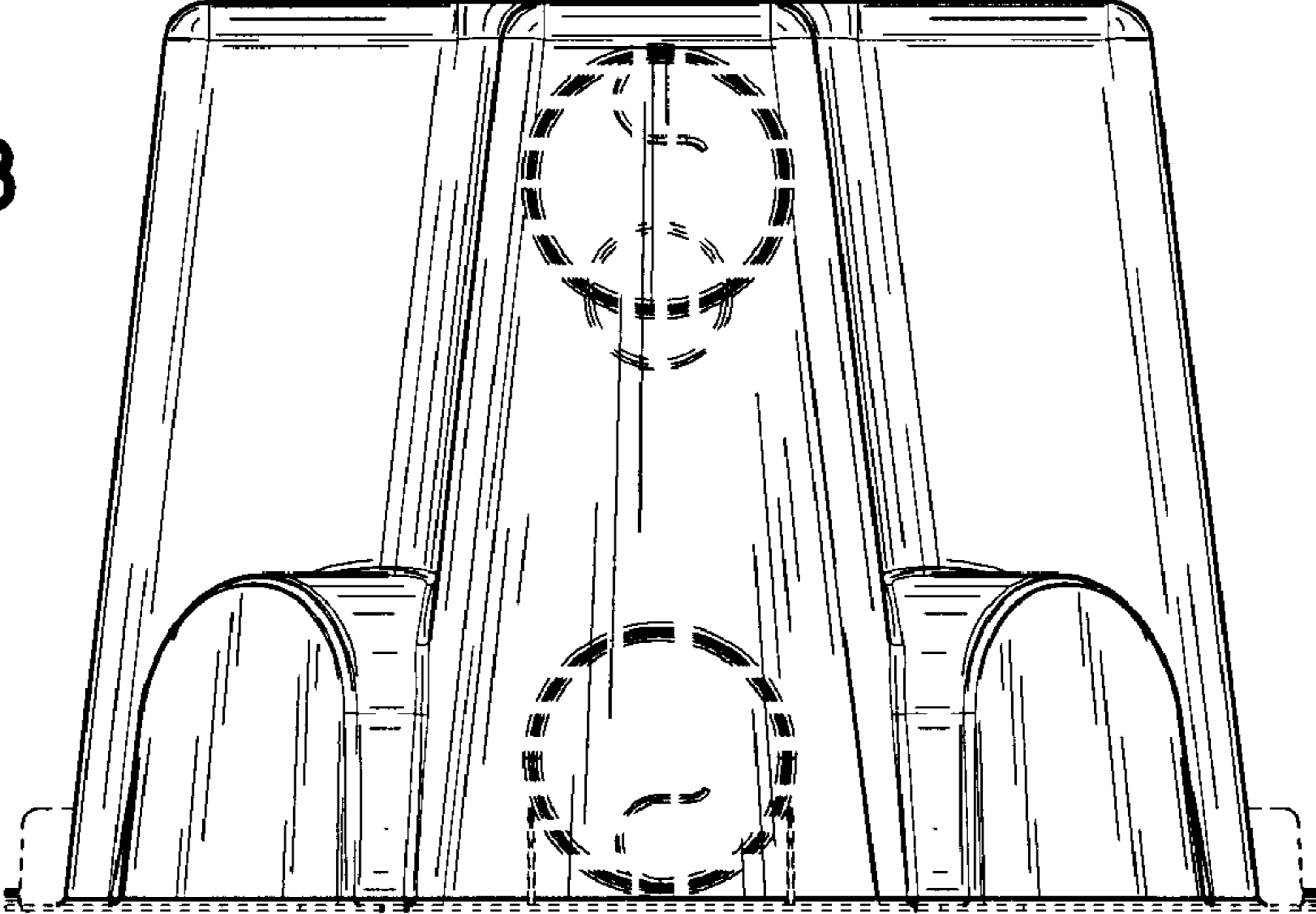


Fig.4

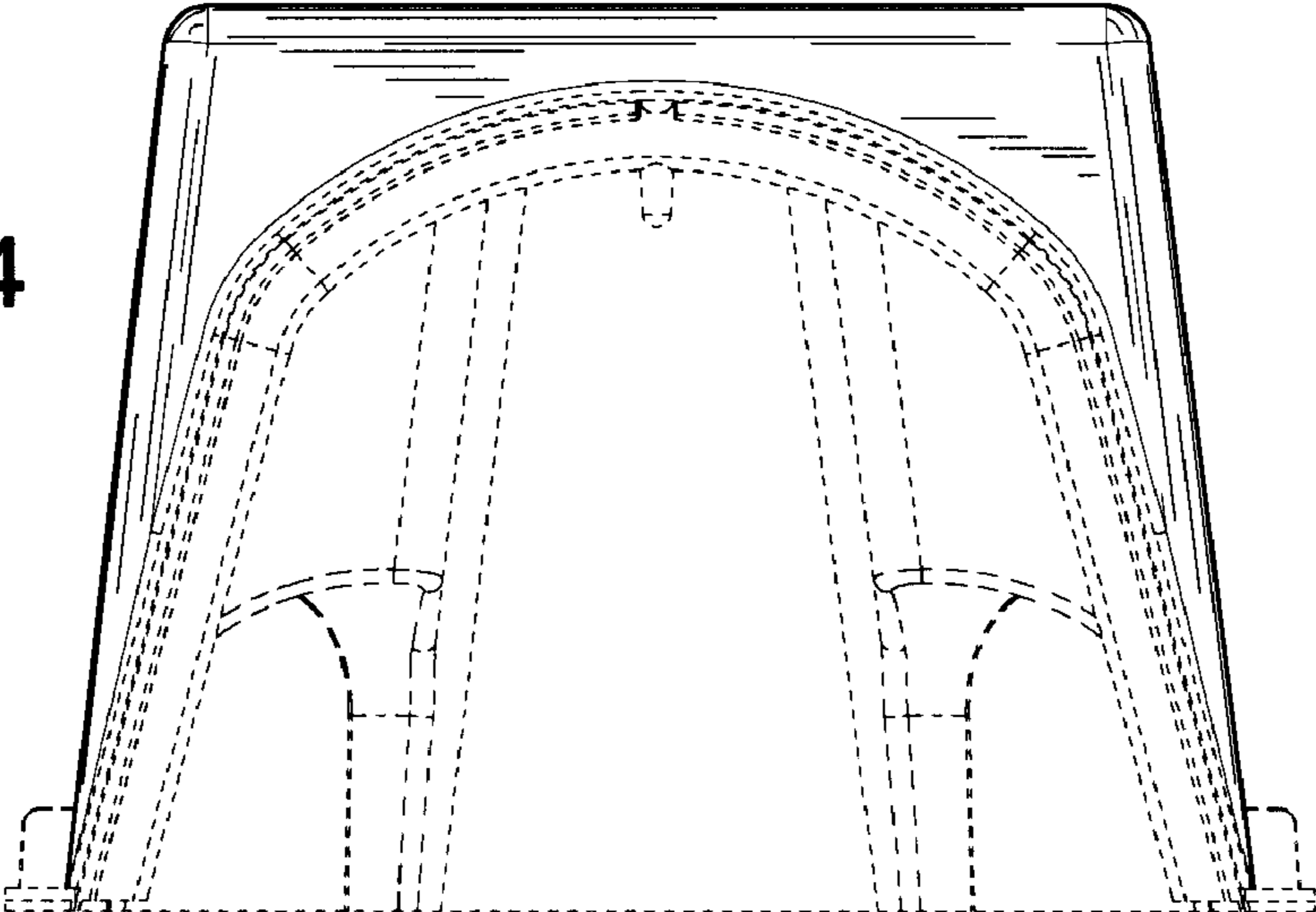


Fig.5

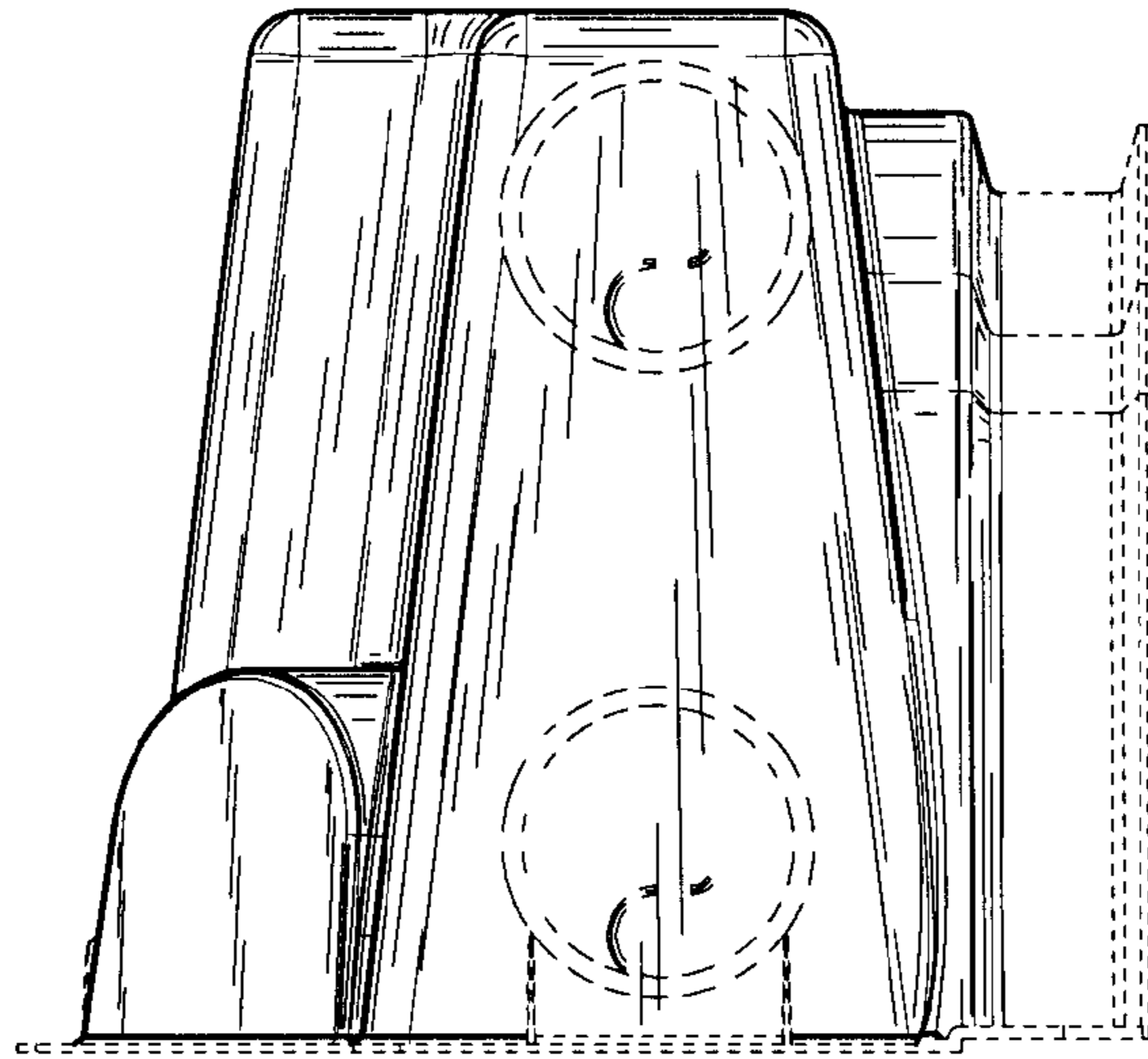


Fig.6

