



US00D538386S

(12) **United States Design Patent**
Johnson et al.

(10) **Patent No.:** **US D538,386 S**

(45) **Date of Patent:** **** Mar. 13, 2007**

(54) **FISHING POLE STAND**

(76) Inventors: **Tony A. Johnson**, 1960 90th Ave.,
Dresser, WI (US) 54009; **Richard**
Bittner, 2859 Long Lake Dr. NW.,
Isanti, MN (US) 55040

(**) Term: **14 Years**

(21) Appl. No.: **29/241,728**

(22) Filed: **Oct. 31, 2005**

(51) **LOC (8) Cl.** **22-05**

(52) **U.S. Cl.** **D22/147**

(58) **Field of Classification Search** D22/147,
D22/148, 199; 43/21.2, 15-17; 248/518,
248/514, 512, 534-535; 211/70.8

See application file for complete search history.

(56) **References Cited**

U.S. PATENT DOCUMENTS

3,484,066 A	12/1969	Aunspaugh	248/541
3,570,793 A	3/1971	Shackel	248/38
3,977,117 A	8/1976	Zahner	43/15

4,603,501 A	8/1986	Radcliff	43/21.2
6,427,376 B1	8/2002	Weber	43/21.2
D465,006 S	* 10/2002	Kissner	D22/147
6,637,146 B2	10/2003	Ernst	43/21.2
D489,118 S	* 4/2004	Preiss	D22/147
D507,817 S	* 7/2005	Mitchell	D22/147
2002/0043014 A1	4/2002	Kondash	43/17

* cited by examiner

Primary Examiner—Catherine R. Oliver

(74) *Attorney, Agent, or Firm*—Patterson, Thunte, Skaar & Christensen, P.A.

(57) **CLAIM**

We claim the ornamental design for a fishing pole stand, as shown.

DESCRIPTION

FIG. 1 is a side perspective view of the fishing pole standing showing our new design;
FIG. 2 is an opposite side perspective view thereof;
FIG. 3 is a top plan view thereof; and,
FIG. 4 is a bottom plan view.

1 Claim, 4 Drawing Sheets

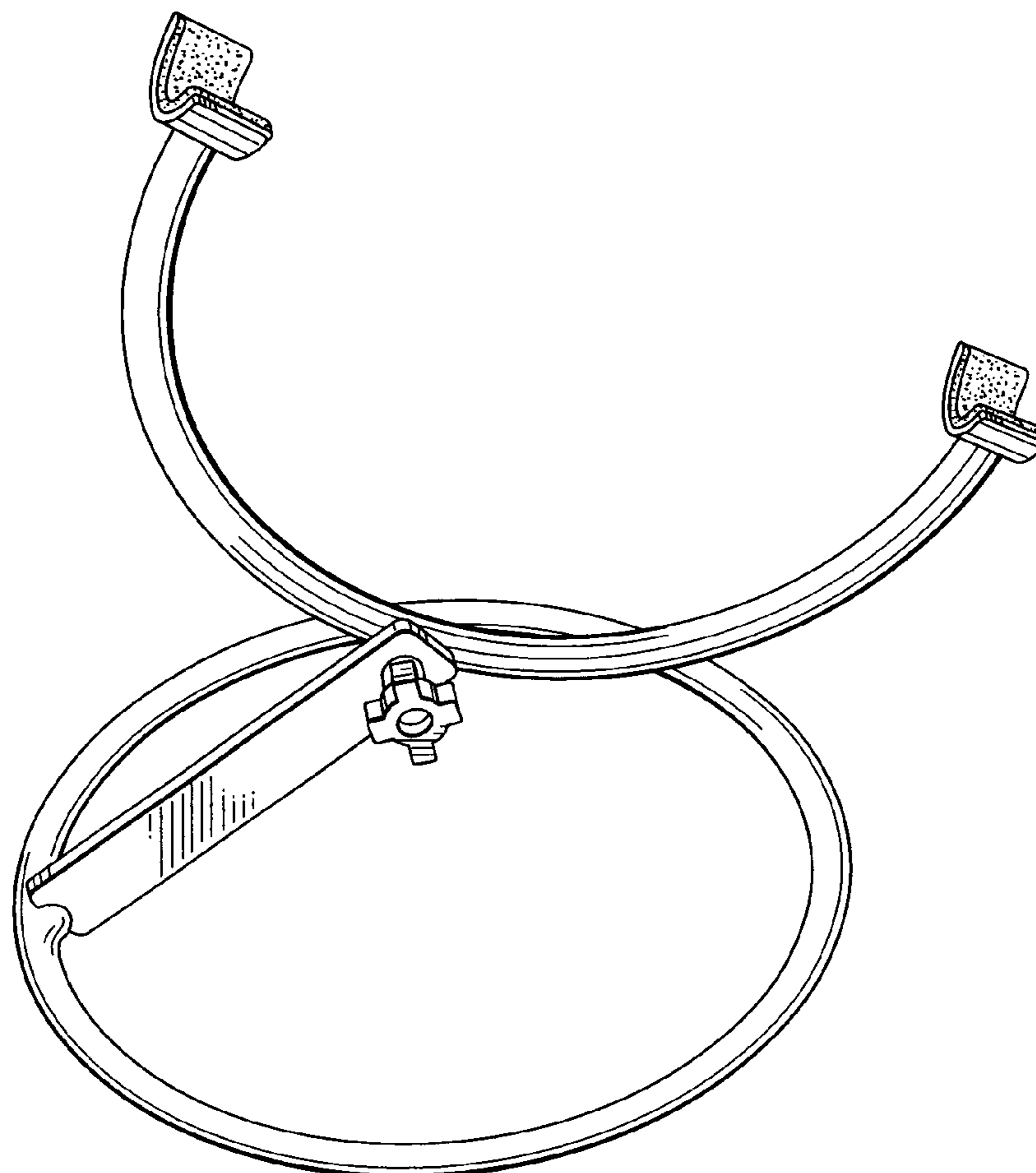


Fig. 1

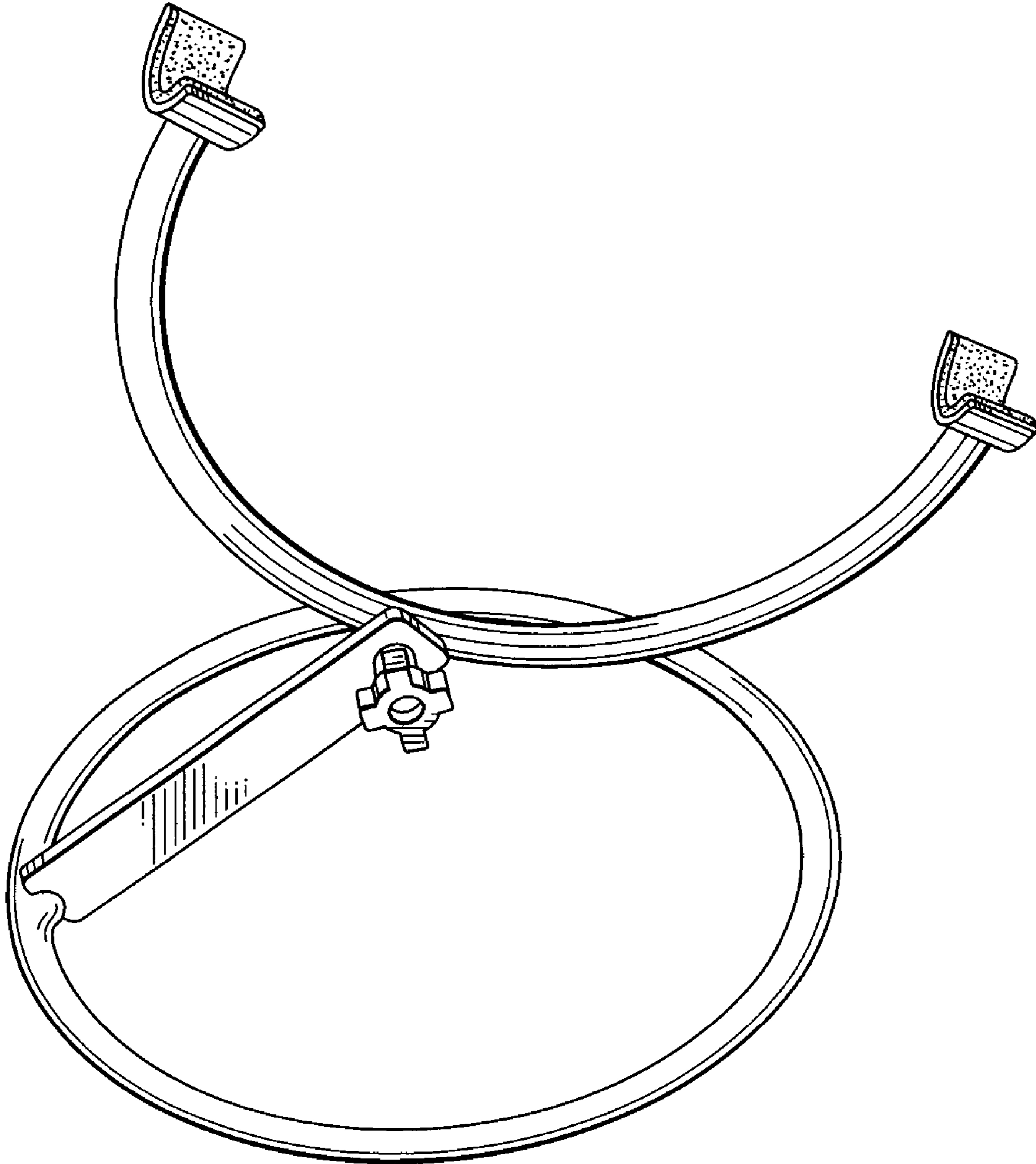


Fig. 2

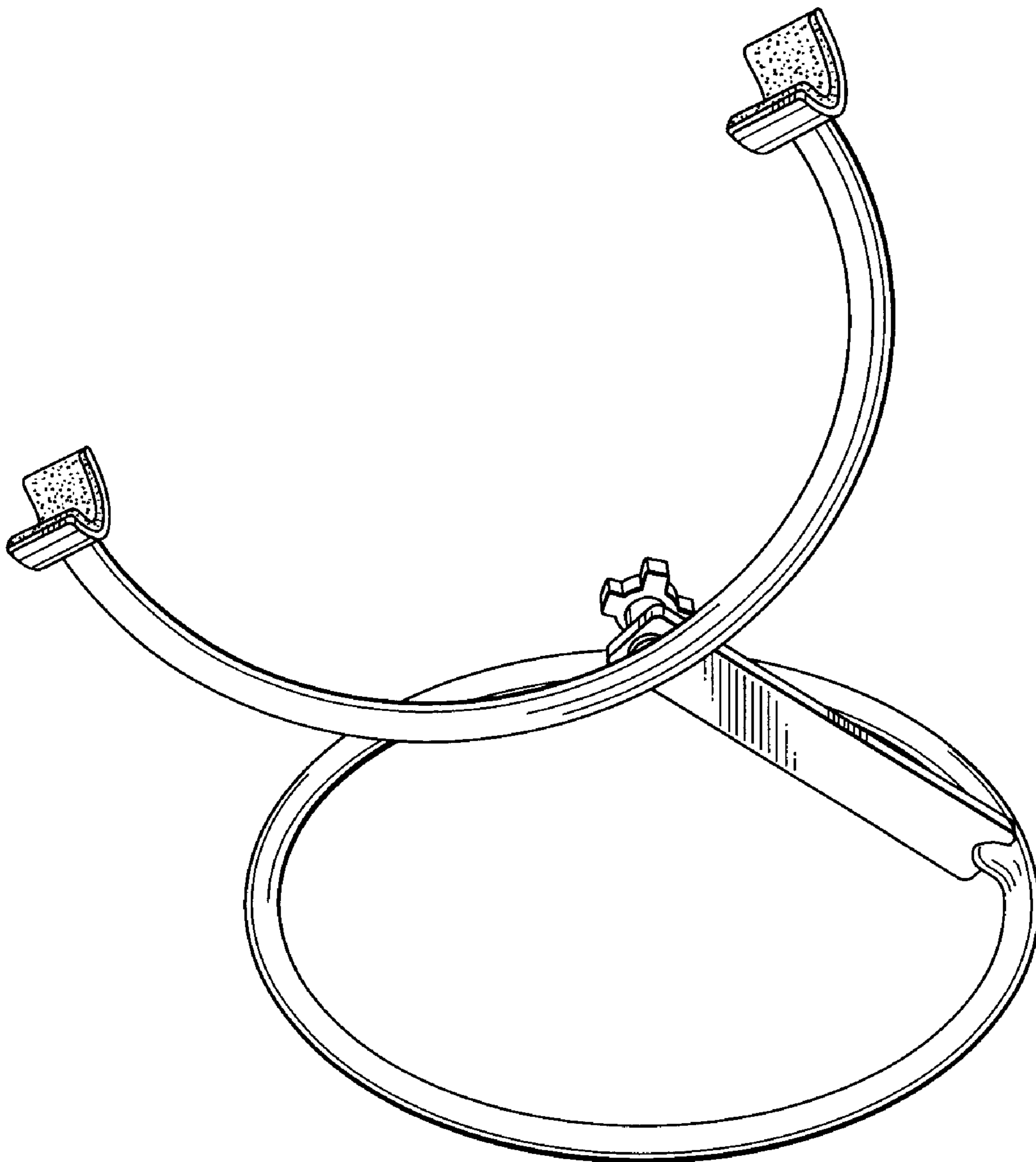


Fig. 3

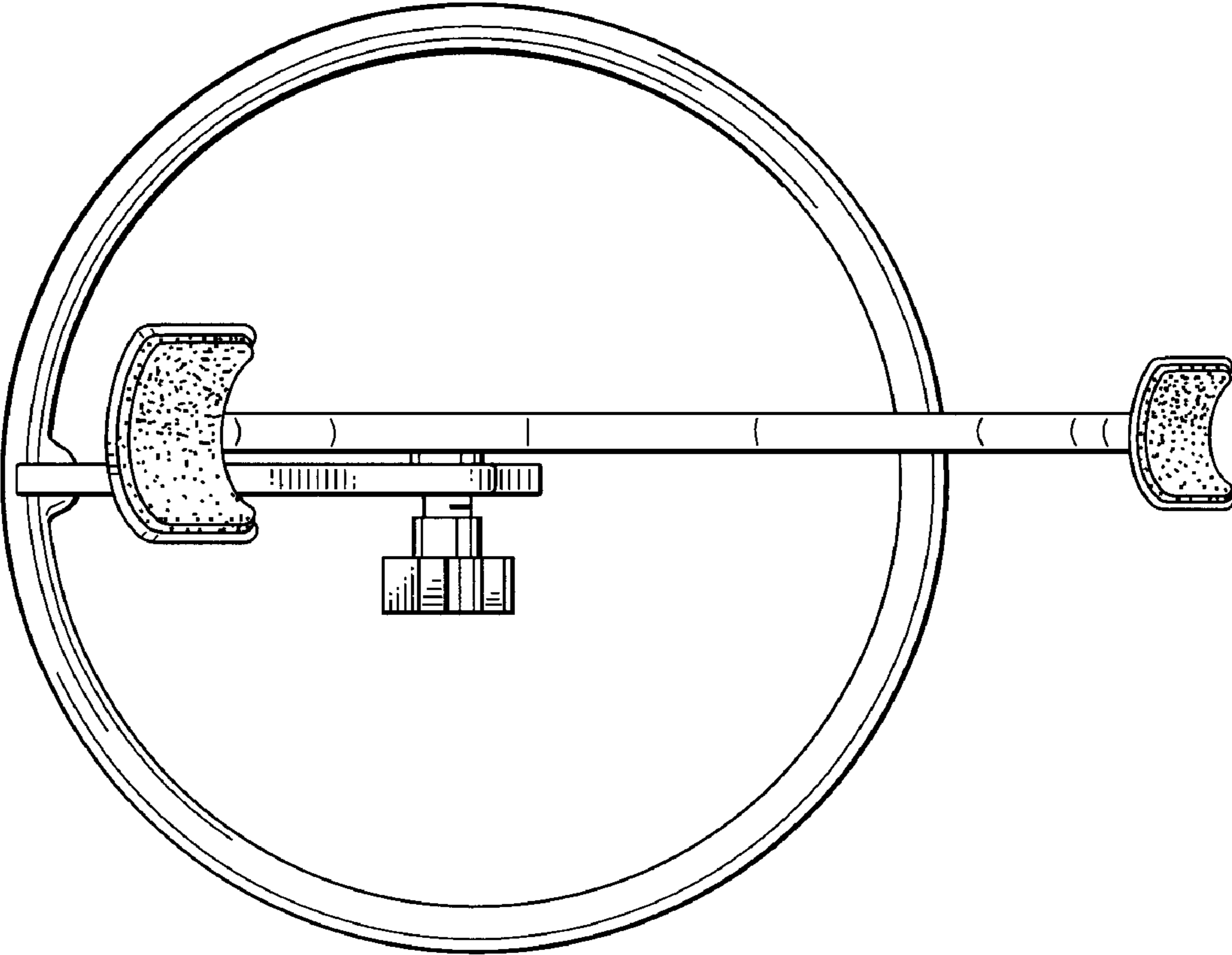


Fig. 4

