



US00D538383S

(12) **United States Design Patent**
Fuller

(10) **Patent No.:** **US D538,383 S**

(45) **Date of Patent:** **** Mar. 13, 2007**

(54) **MOUSE-SIMULATING FISHING LURE**

(76) Inventor: **Eric Fuller**, 23769 Old US 27, Olivet,
MI (US) 49076

(**) Term: **14 Years**

(21) Appl. No.: **29/242,157**

(22) Filed: **Nov. 7, 2005**

(51) **LOC (8) Cl.** **22-05**

(52) **U.S. Cl.** **D22/132**

(58) **Field of Classification Search** D22/125-133,
D22/144-146; 43/42.06, 42.32, 42.34, 42.35,
43/42.37, 42.39, 42.45

See application file for complete search history.

(56) **References Cited**

U.S. PATENT DOCUMENTS

D255,376 S	6/1980	Hogreff	D22/130
D279,209 S	* 6/1985	Hevrin	D22/130
D281,807 S	* 12/1985	Shiverdecker	D22/128
5,042,189 A	8/1991	Bailey	43/42.09

D344,568 S	*	2/1994	Byrd et al.	D22/132
5,661,921 A		9/1997	Mason	43/42.09
6,164,006 A		12/2000	Peterson	43/42.09
6,212,818 B1		4/2001	Huddleston	43/42.37
D457,593 S	*	5/2002	Addison	D22/132
6,393,757 B2		5/2002	Bomann	43/42.09

* cited by examiner

Primary Examiner—Catherine R. Oliver

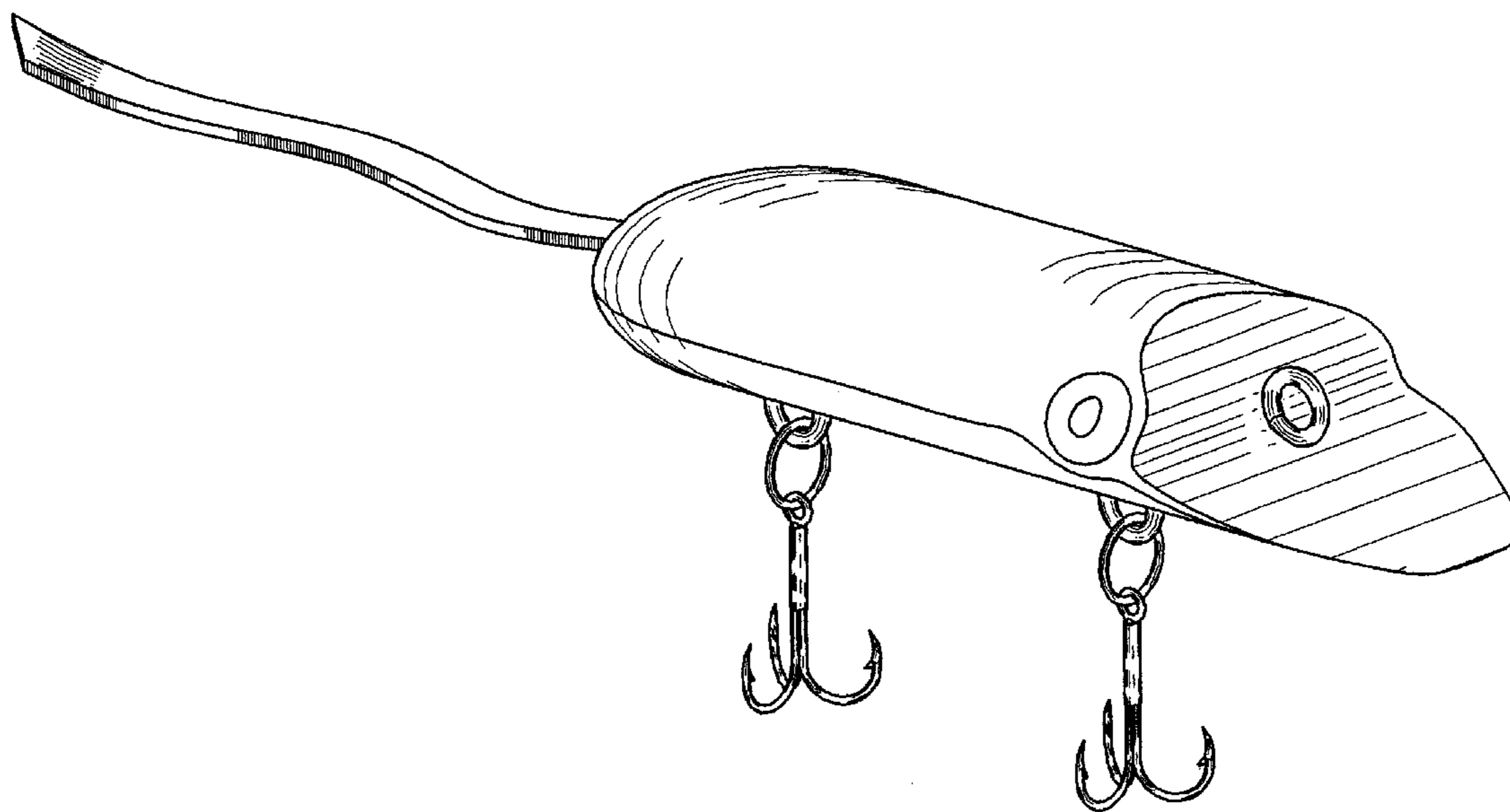
(57) **CLAIM**

The ornamental design for a mouse-simulating fishing lure, as shown and described.

DESCRIPTION

FIG. 1 is a front elevational view of a mouse-simulating fishing lure showing my new design; FIG. 2 is a rear elevational view thereof; FIG. 3 is a bottom plan view thereof; FIG. 4 is a top plan thereof; FIG. 5 is a side elevational view thereof; and, FIG. 6 is a perspective view thereof.

1 Claim, 3 Drawing Sheets



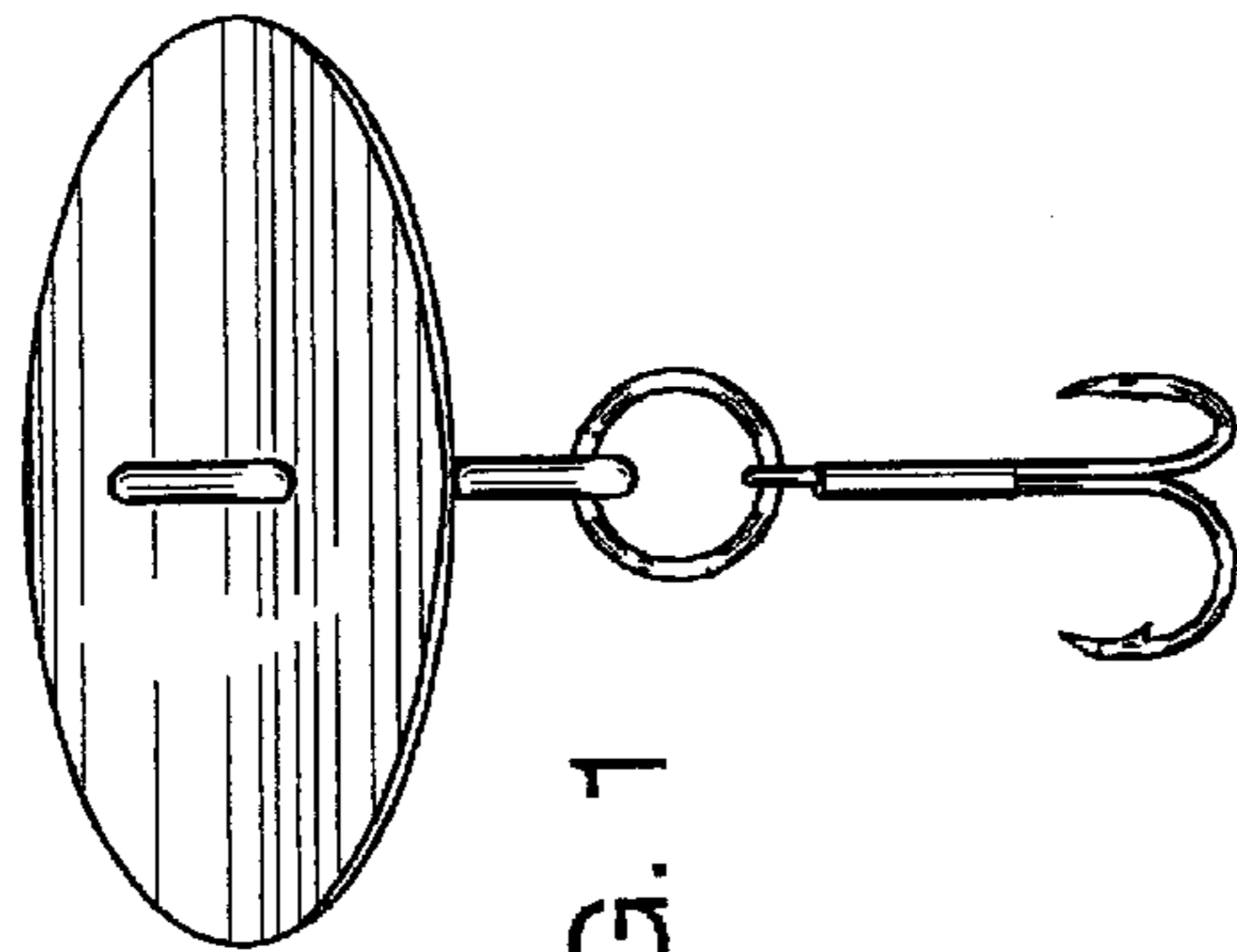


FIG. 1

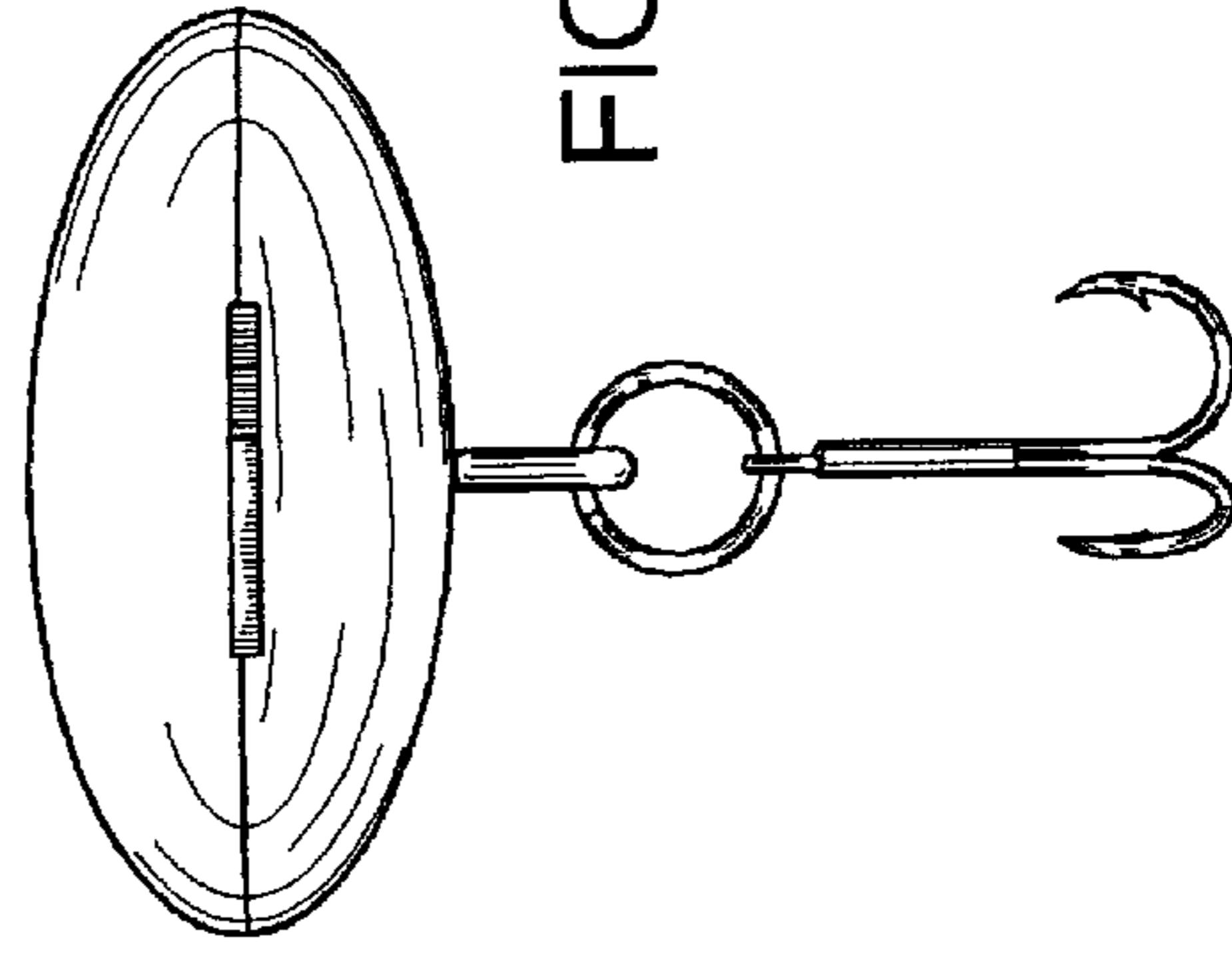


FIG. 2

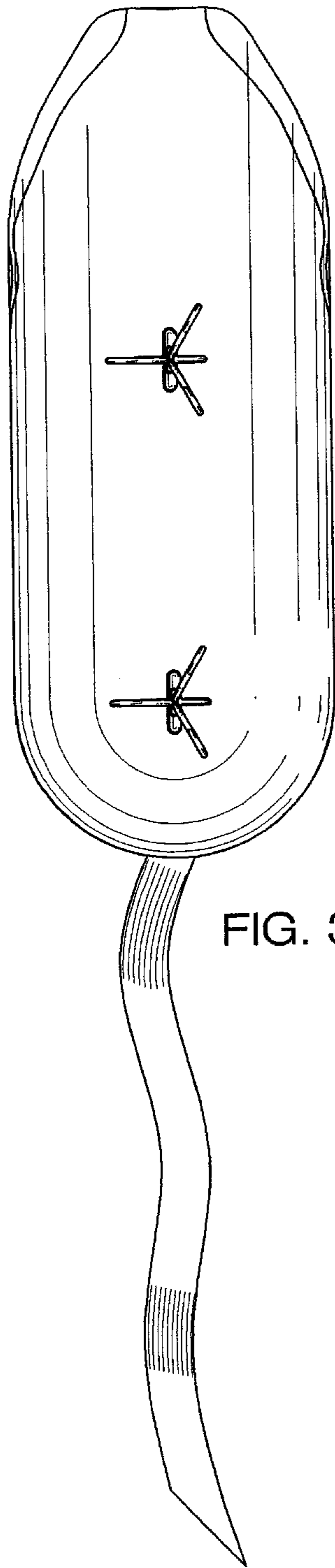


FIG. 3

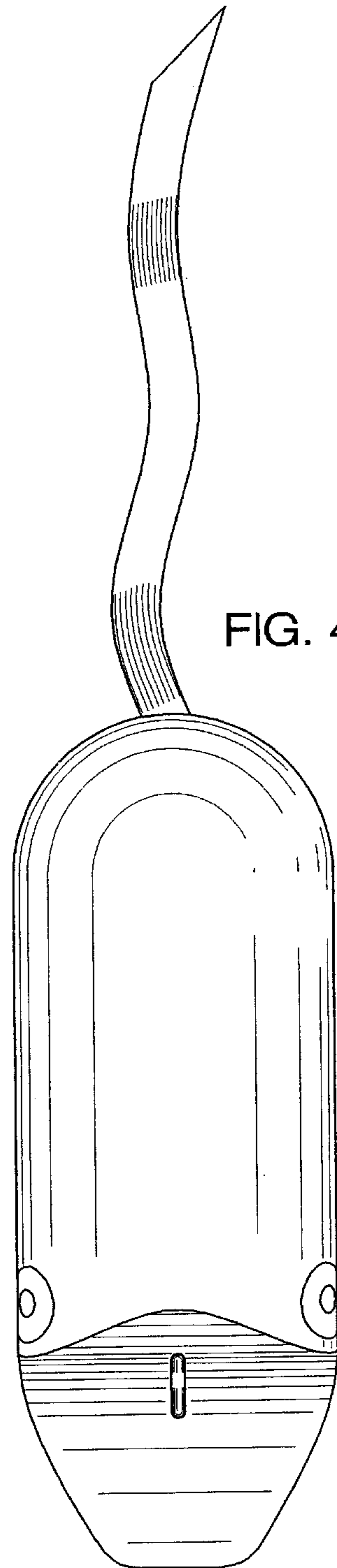


FIG. 4

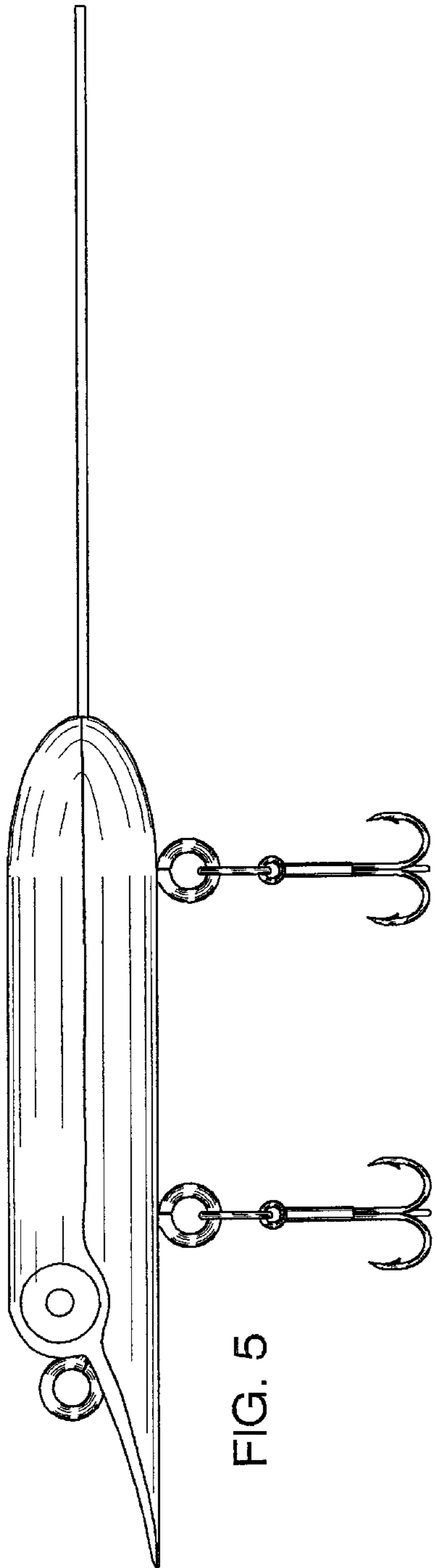


FIG. 5

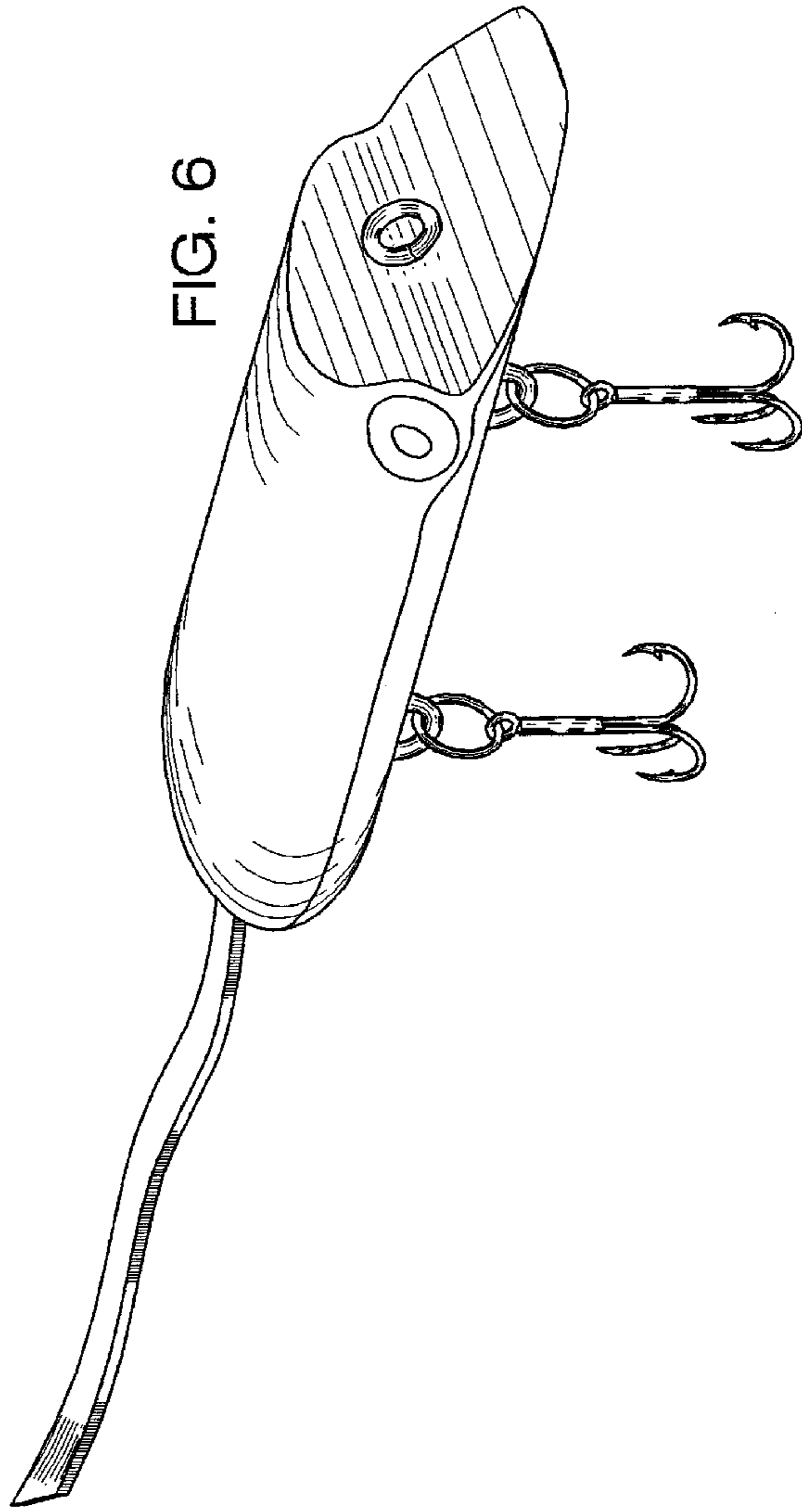


FIG. 6