



US00D538382S

(12) **United States Design Patent**  
**Debaere**

(10) **Patent No.:** **US D538,382 S**

(45) **Date of Patent:** **\*\* Mar. 13, 2007**

(54) **FISHING LURE**

D518,139 S \* 3/2006 Lester ..... D22/126

(76) Inventor: **Richard Debaere**, 13023 Old Highway  
11, Sturtevent, WI (US) 53177

\* cited by examiner

(\*\*) Term: **14 Years**

*Primary Examiner*—Catherine R. Oliver

(74) *Attorney, Agent, or Firm*—Jansson, Shupe, Munger &  
Antaramian, Ltd.

(21) Appl. No.: **29/252,849**

(57) **CLAIM**

(22) Filed: **Jan. 27, 2006**

The ornamental design for a fishing lure, as shown and  
described.

(51) **LOC (8) Cl.** ..... **22-05**

(52) **U.S. Cl.** ..... **D22/126**

(58) **Field of Classification Search** ..... D22/125–133;  
43/42.24, 42.31, 42.32, 42.36, 43.13, 42.53,  
43/44.2, 42.39, 44.8, 44.81; D8/1; 135/118  
See application file for complete search history.

**DESCRIPTION**

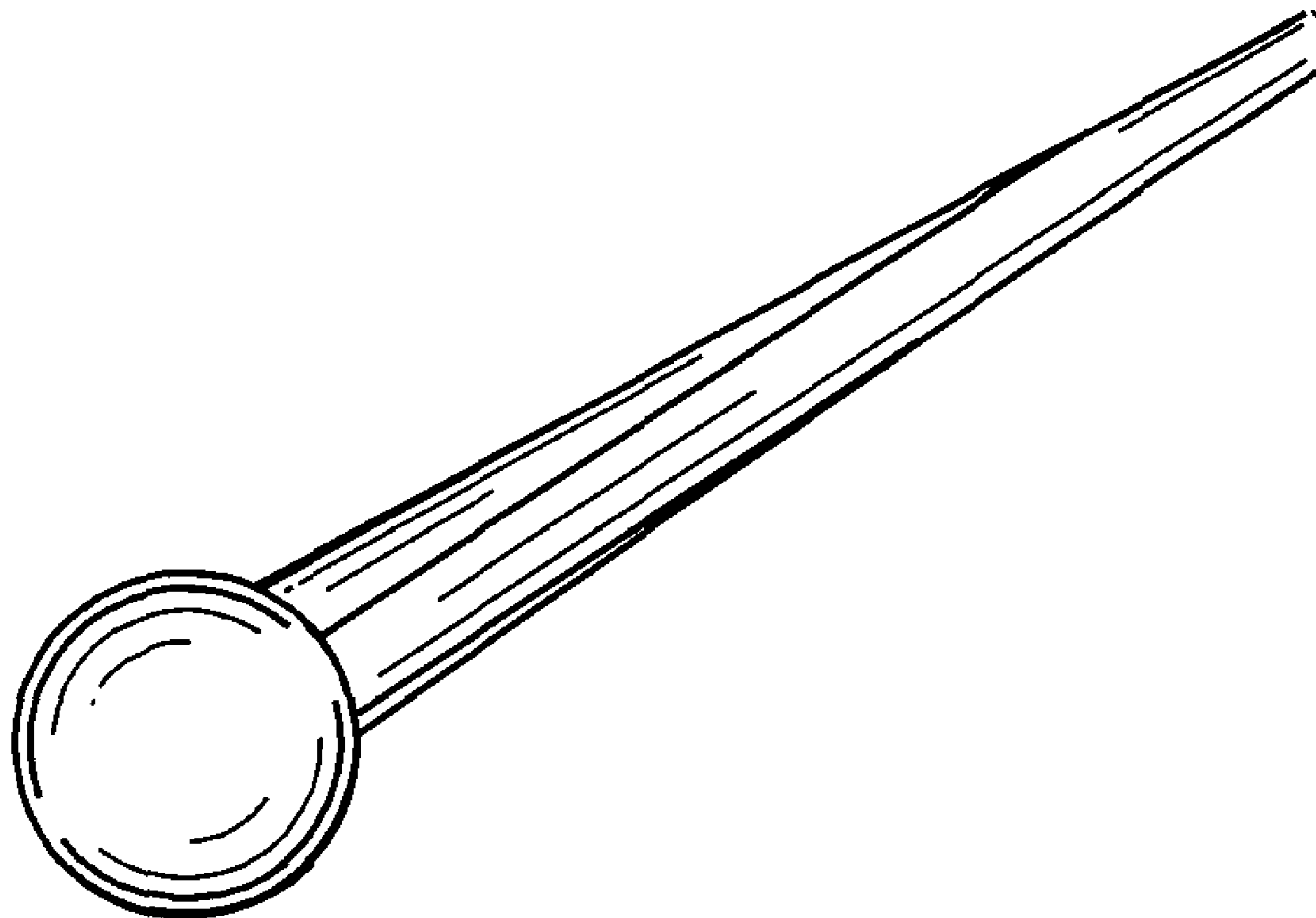
FIG. 1 is a perspective view of the fishing lure.  
FIG. 2 is a side view of the fishing lure.  
FIG. 3 is a top plan view of the fishing lure.  
FIG. 4 is a front view of the fishing lure; and,  
FIG. 5 is a rear view of the fishing lure.  
Parts shown in broken lines in the figures are shown for  
illustrative purposes only and form no part of the claimed  
design.

(56) **References Cited**

**U.S. PATENT DOCUMENTS**

- D374,266 S \* 10/1996 Parks ..... D22/127
- D491,029 S \* 6/2004 Atkins et al. .... D8/1
- D511,197 S \* 11/2005 Berdine ..... D22/126

**1 Claim, 1 Drawing Sheet**



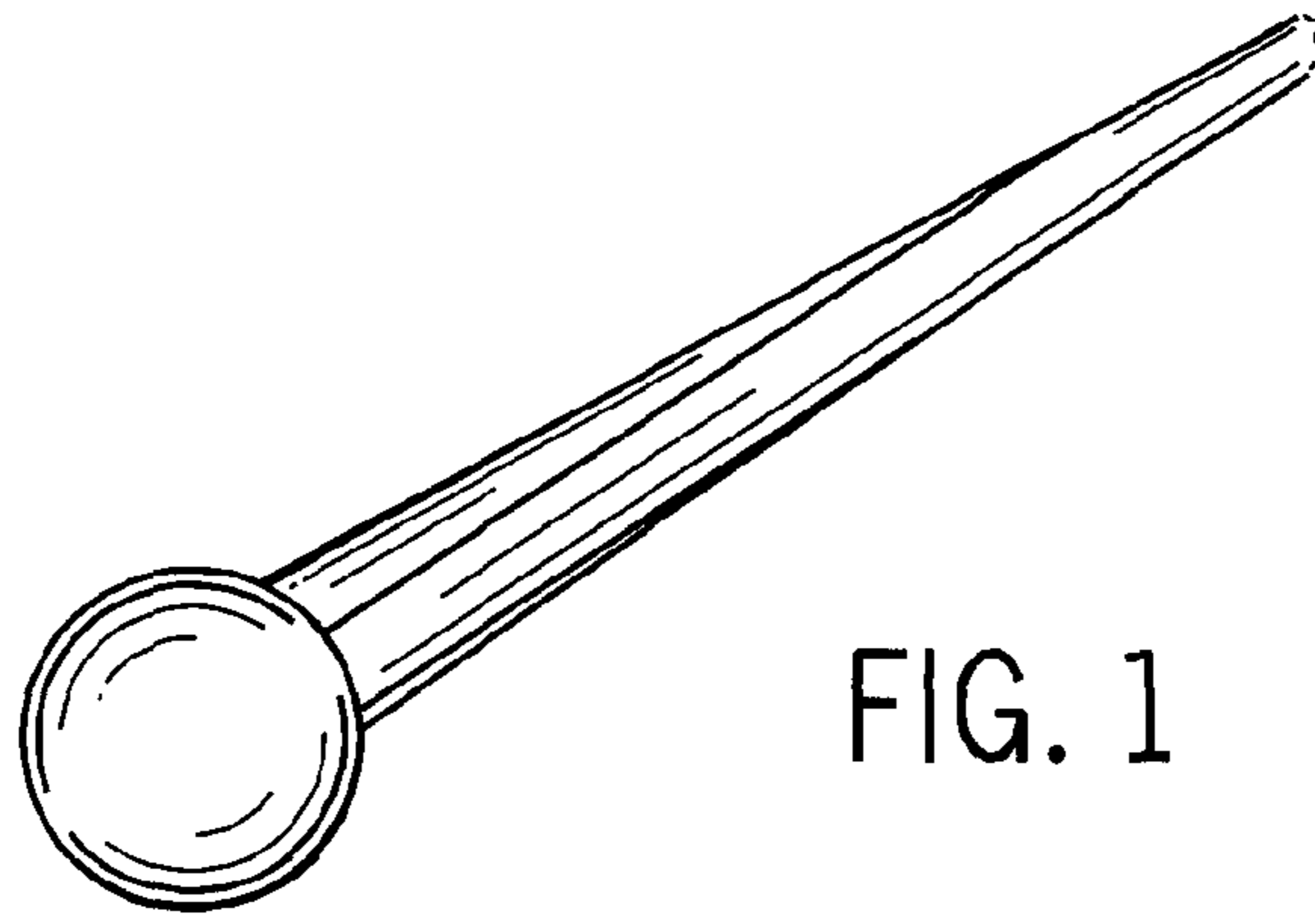


FIG. 1

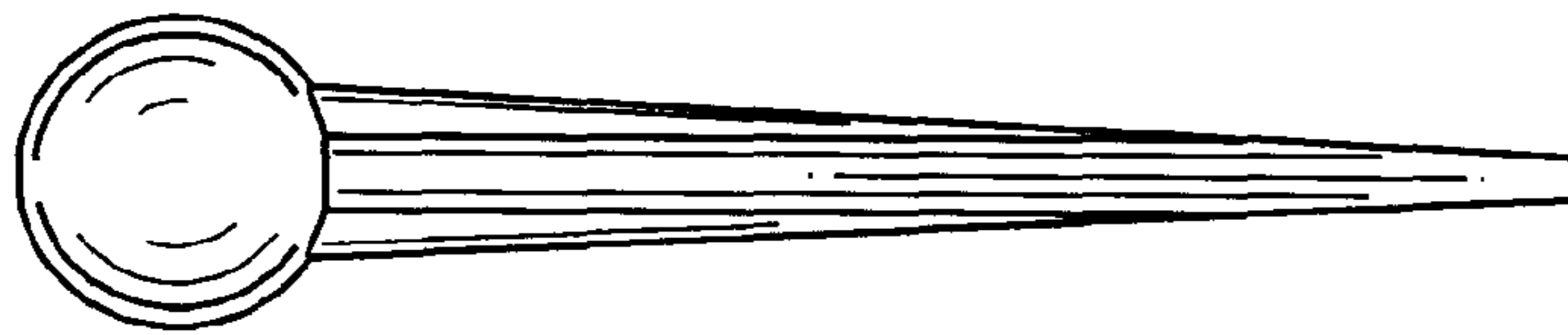


FIG. 2

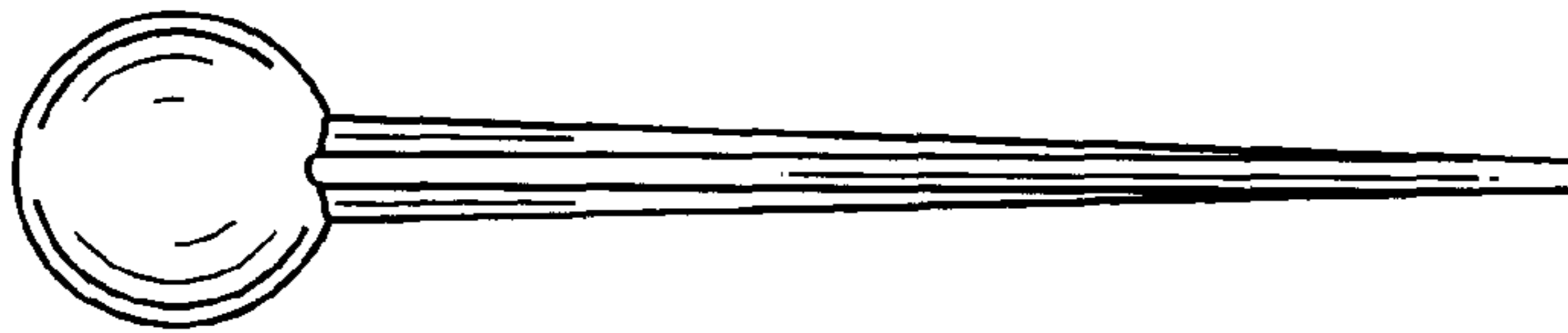


FIG. 3

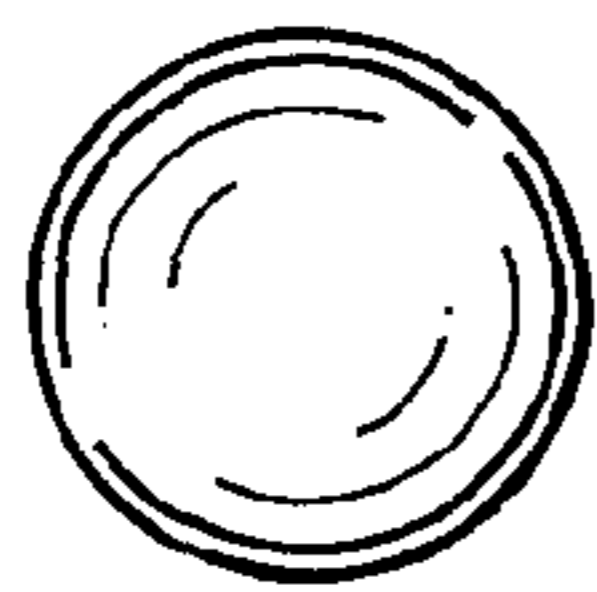


FIG. 4

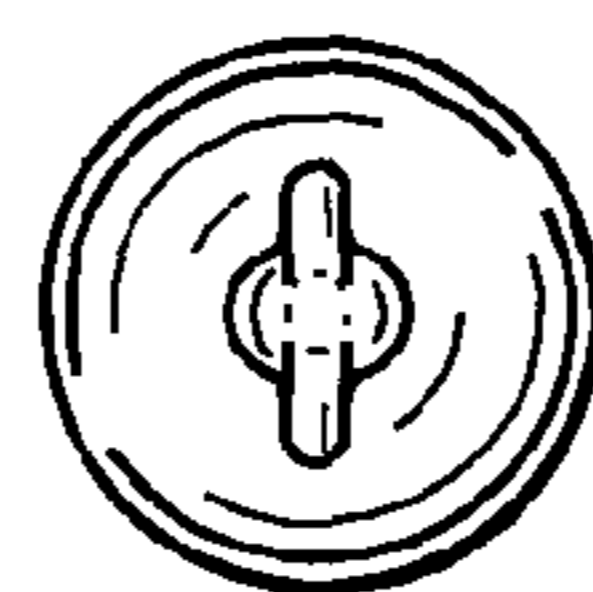


FIG. 5