

US00D538381S

(12) **United States Design Patent**  
**Chen**

(10) **Patent No.:** **US D538,381 S**

(45) **Date of Patent:** **\*\* Mar. 13, 2007**

(54) **SOLAR POWERED INSECT  
EXTERMINATOR**

D291,226 S \* 8/1987 Wan ..... D22/123  
D293,014 S \* 12/1987 Davis ..... D22/123  
D335,910 S \* 5/1993 Cheshire, Jr. .... D22/123

(75) Inventor: **Chi Gon Chen**, Guang Zhou (CN)

\* cited by examiner

(73) Assignee: **International Development Corp.**,  
Roanoke, TX (US)

*Primary Examiner*—Catherine R. Oliver

(74) *Attorney, Agent, or Firm*—Strasburger & Price

(\*\*) Term: **14 Years**

(57) **CLAIM**

(21) Appl. No.: **29/256,784**

The ornamental design for a solar powered insect exterminator, as shown and described.

(22) Filed: **Mar. 23, 2006**

**DESCRIPTION**

(51) **LOC (8) Cl.** ..... **22-06**

(52) **U.S. Cl.** ..... **D22/123**

(58) **Field of Classification Search** ..... D22/119–125;  
43/107, 112–113, 124, 131; D26/37  
See application file for complete search history.

FIG. 1 is a front elevational view of the solar powered insect exterminator;

FIG. 2 is a top view; and,

FIG. 3 is a bottom view.

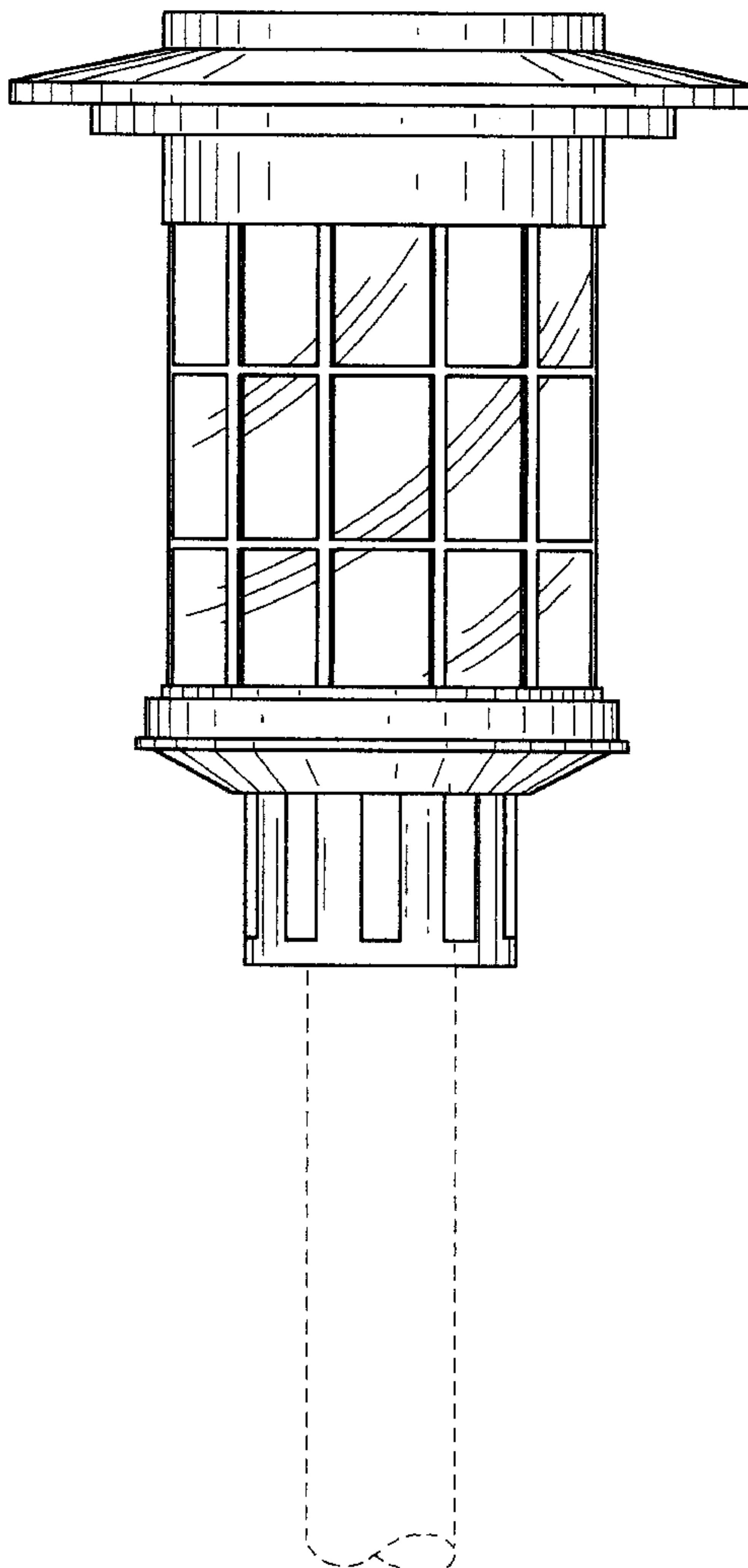
The broken line showing of environment in the drawings is included for the purpose of illustrating only and forms no part of the claimed design.

(56) **References Cited**

**U.S. PATENT DOCUMENTS**

D217,086 S \* 4/1970 Miller ..... D22/123

**1 Claim, 2 Drawing Sheets**



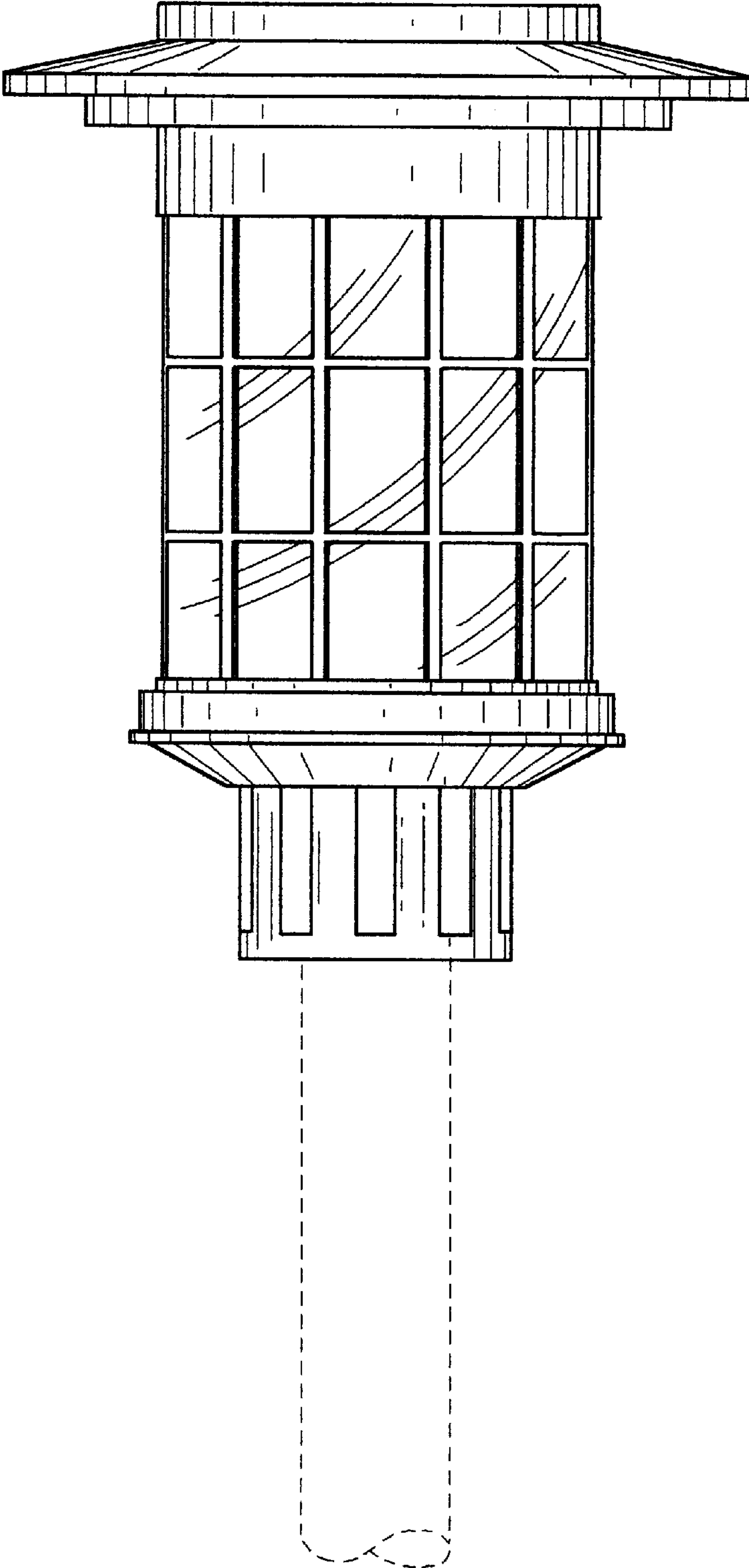
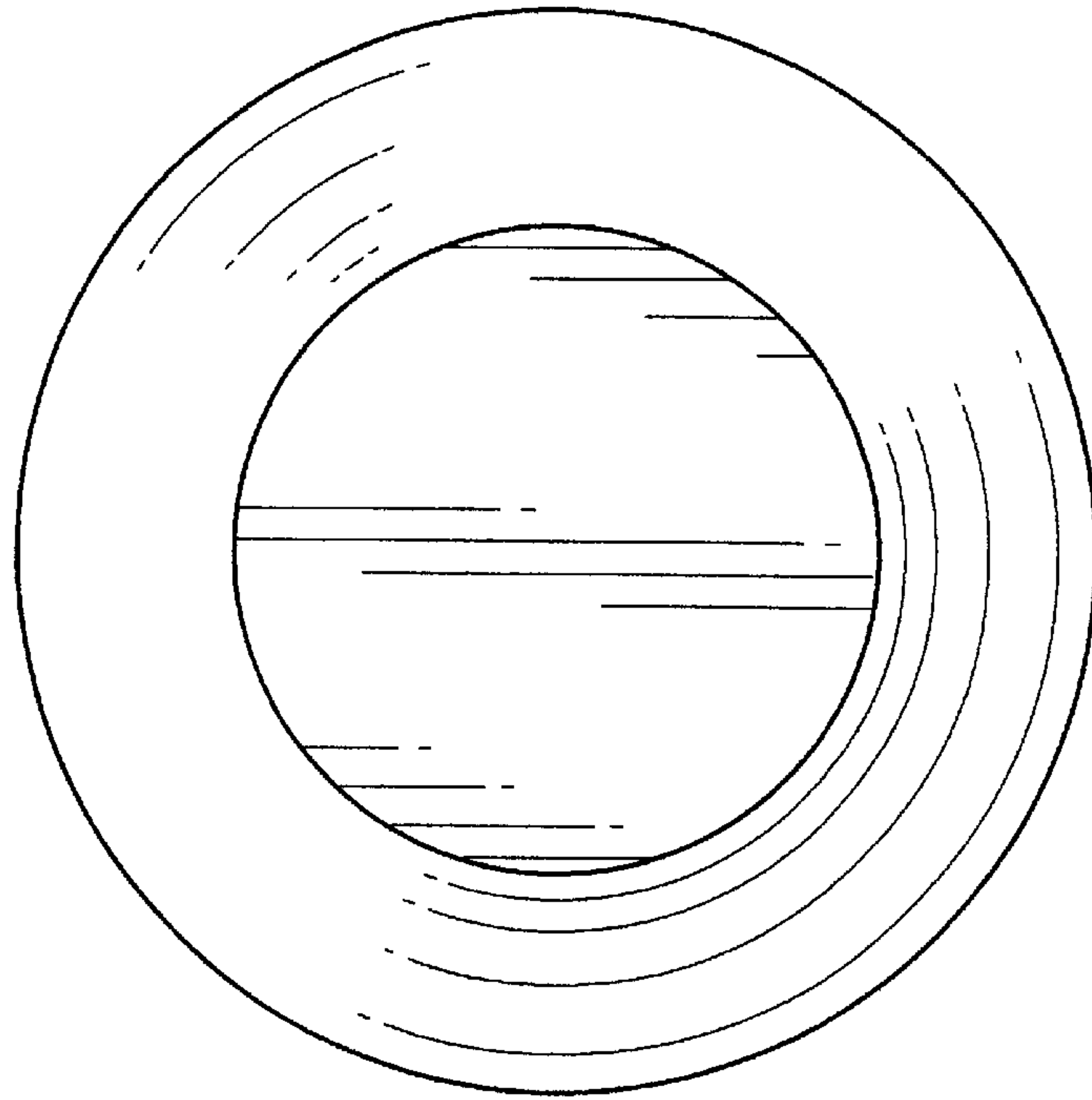
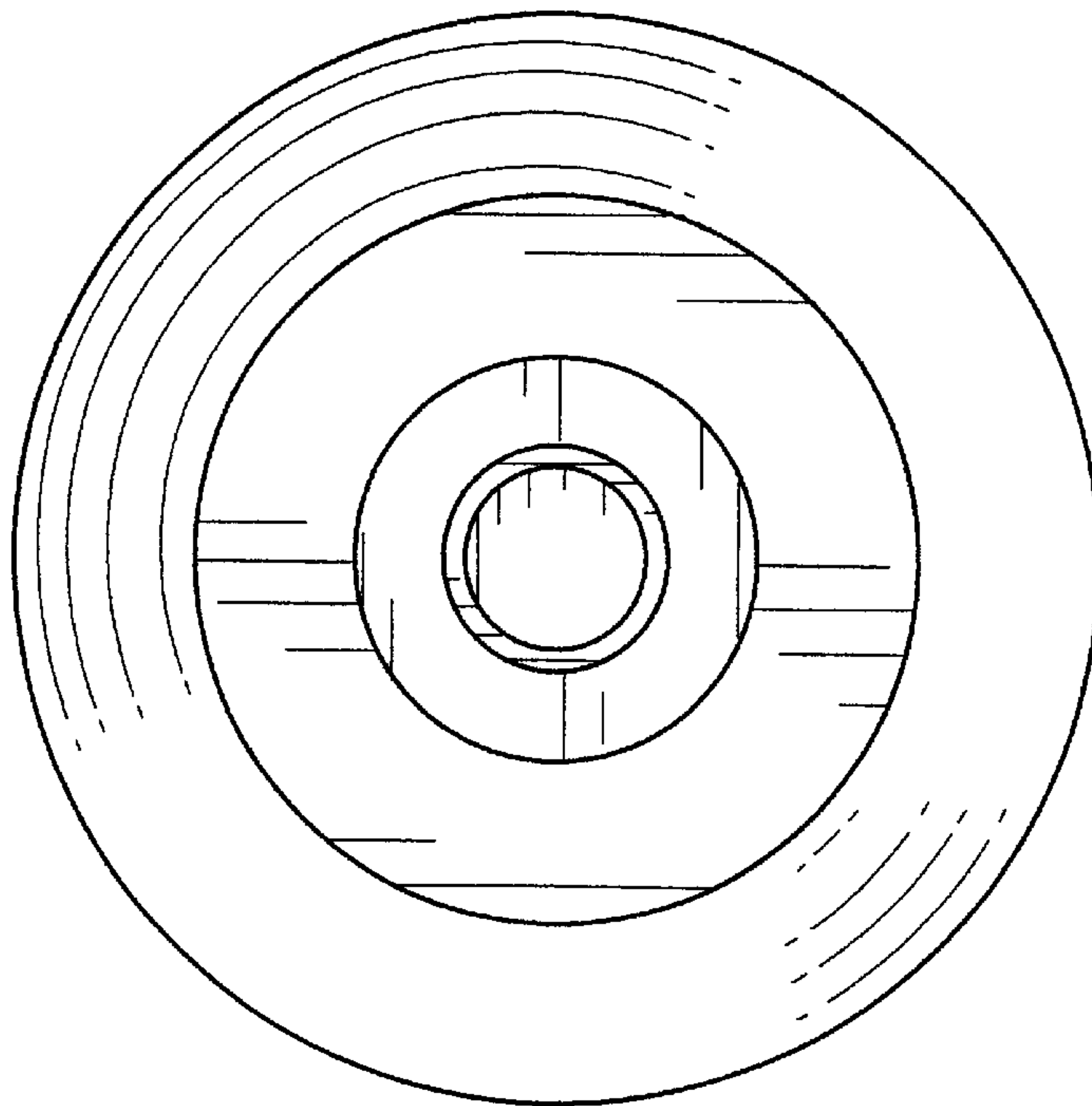


Fig. 1



*Fig. 2*



*Fig. 3*