



US00D538372S

(12) **United States Design Patent**
Bonnemere

(10) **Patent No.:** **US D538,372 S**

(45) **Date of Patent:** **** Mar. 13, 2007**

(54) **SKI BINDING**

(75) Inventor: **Patrick Bonnemere**, Lyons (FR)

(73) Assignee: **Salomon S.A.**, Metz-Tessy (FR)

(**) Term: **14 Years**

(21) Appl. No.: **29/231,126**

(22) Filed: **Jun. 2, 2005**

(30) **Foreign Application Priority Data**

Dec. 3, 2004 (EM) 000262878-0001/0002

(51) **LOC (8) Cl.** **21-02**

(52) **U.S. Cl.** **D21/773**

(58) **Field of Classification Search** D21/760-761,
D21/765-766, 768, 771, 772-777; 441/68-70;
280/601-606, 609-610, 842, 11.3, 11.31
See application file for complete search history.

(56) **References Cited**

U.S. PATENT DOCUMENTS

D322,300	S	12/1991	Provence et al.	
5,082,410	A	1/1992	Provence	
5,088,756	A	2/1992	Hue et al.	
5,090,723	A	2/1992	Arnulf	
5,207,447	A *	5/1993	Erdei et al.	280/617
5,211,417	A *	5/1993	Klaus et al.	280/617
5,356,169	A	10/1994	Hue et al.	
5,730,457	A *	3/1998	Couderc et al.	280/602
5,794,963	A	8/1998	Girard	
6,017,050	A	1/2000	Girard	
D425,955	S *	5/2000	Girard et al.	D21/773
6,244,616	B1 *	6/2001	Arduin et al.	280/602
2001/0010420	A1 *	8/2001	Arduin et al.	280/611

2001/0042972	A1 *	11/2001	Kruajitch	280/624
2003/0085550	A1 *	5/2003	Godde et al.	280/617
2003/0193169	A1 *	10/2003	Holzinger et al.	280/607
2003/0193171	A1 *	10/2003	Krumbeck et al.	280/616
2004/0164519	A1	8/2004	Quellais et al.	
2005/0116444	A1 *	6/2005	Himmetsberger et al.	280/617
2006/0012151	A1 *	1/2006	Girard et al.	280/615

OTHER PUBLICATIONS

Skiing Magazine—a Time Mirror Magazine, Sep. 1995, p. 207 “Ski Bindings—790 PP Palladium, &90 PP, 780 FF, 760 FF”, located on the bottom left side of page.*

Skiing Magazine—a Time Mirror Magazine, Sep. 1995, p. 1, “Marker Ski Binding”, located on the right side of page.*

* cited by examiner

Primary Examiner—Janice Seeger

Assistant Examiner—Zenia Bennett

(74) *Attorney, Agent, or Firm*—Greenblum & Bernstein, P.L.C.

(57) **CLAIM**

I claim the ornamental design for a ski binding, as shown and described.

DESCRIPTION

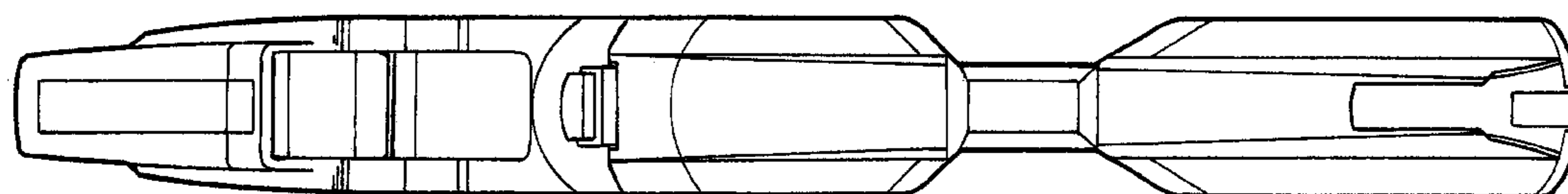
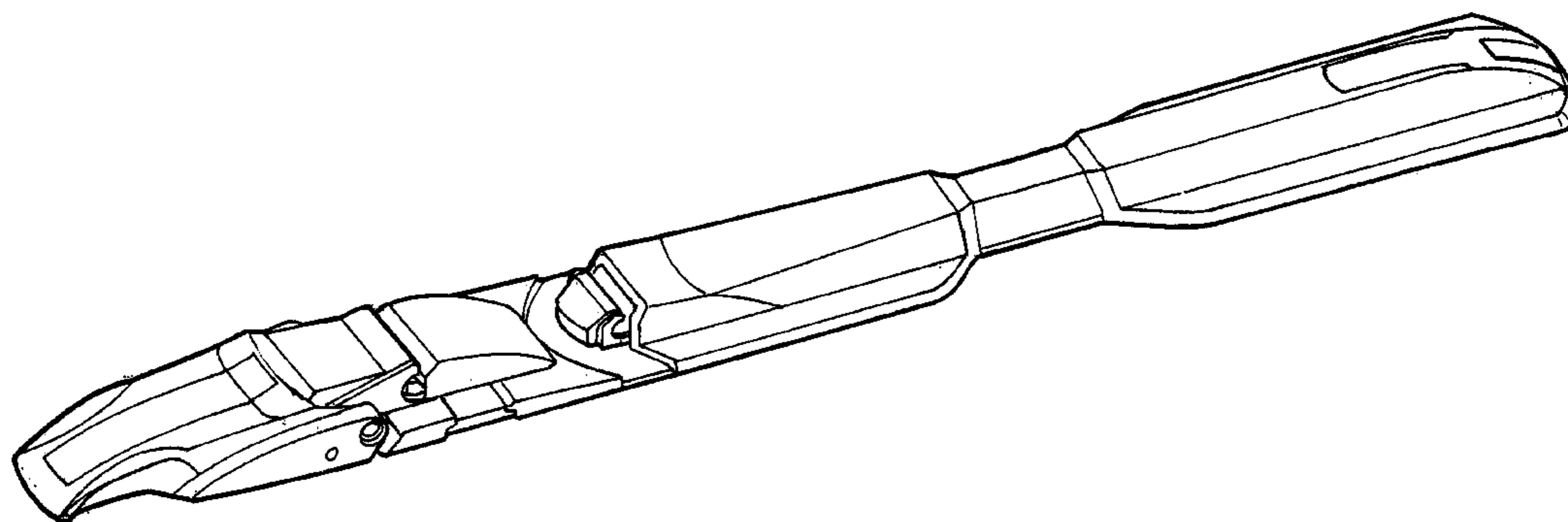
FIG. 1 is a perspective view of a ski binding, seen from the front and left side thereof, showing my new design;

FIG. 2 is a perspective view, seen from the rear and left side thereof;

FIG. 3 is a top view thereof; and,

FIG. 4 is a left side view thereof, the right side being a mirror image of the left side.

1 Claim, 4 Drawing Sheets



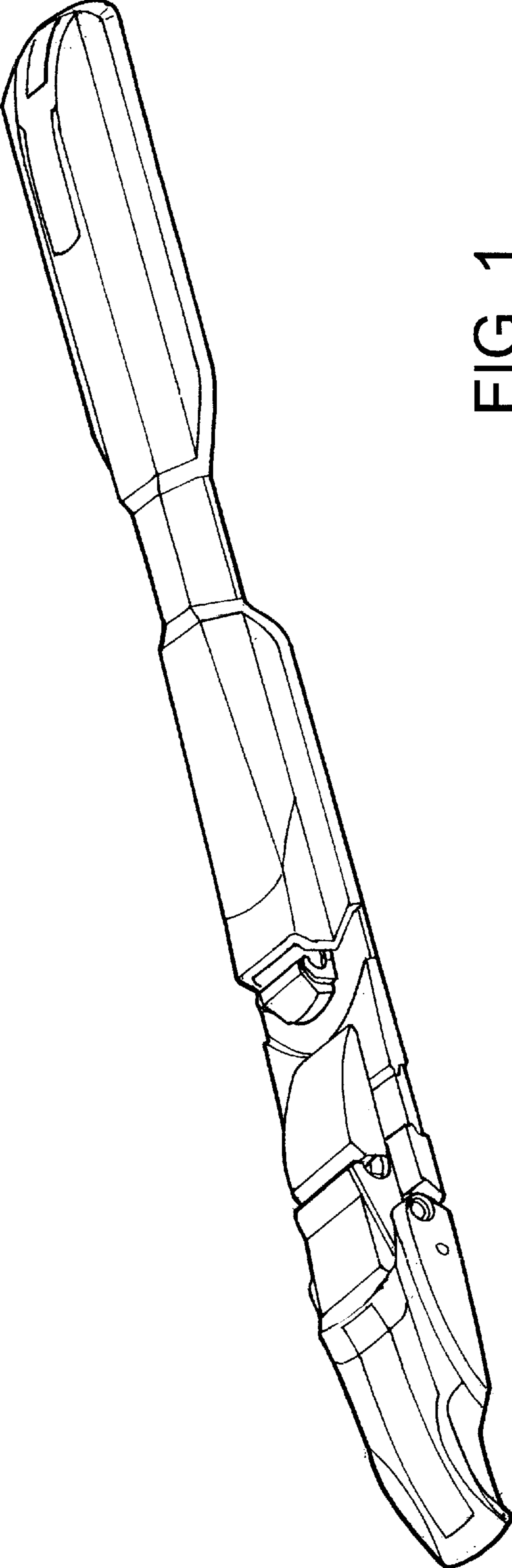


FIG. 1

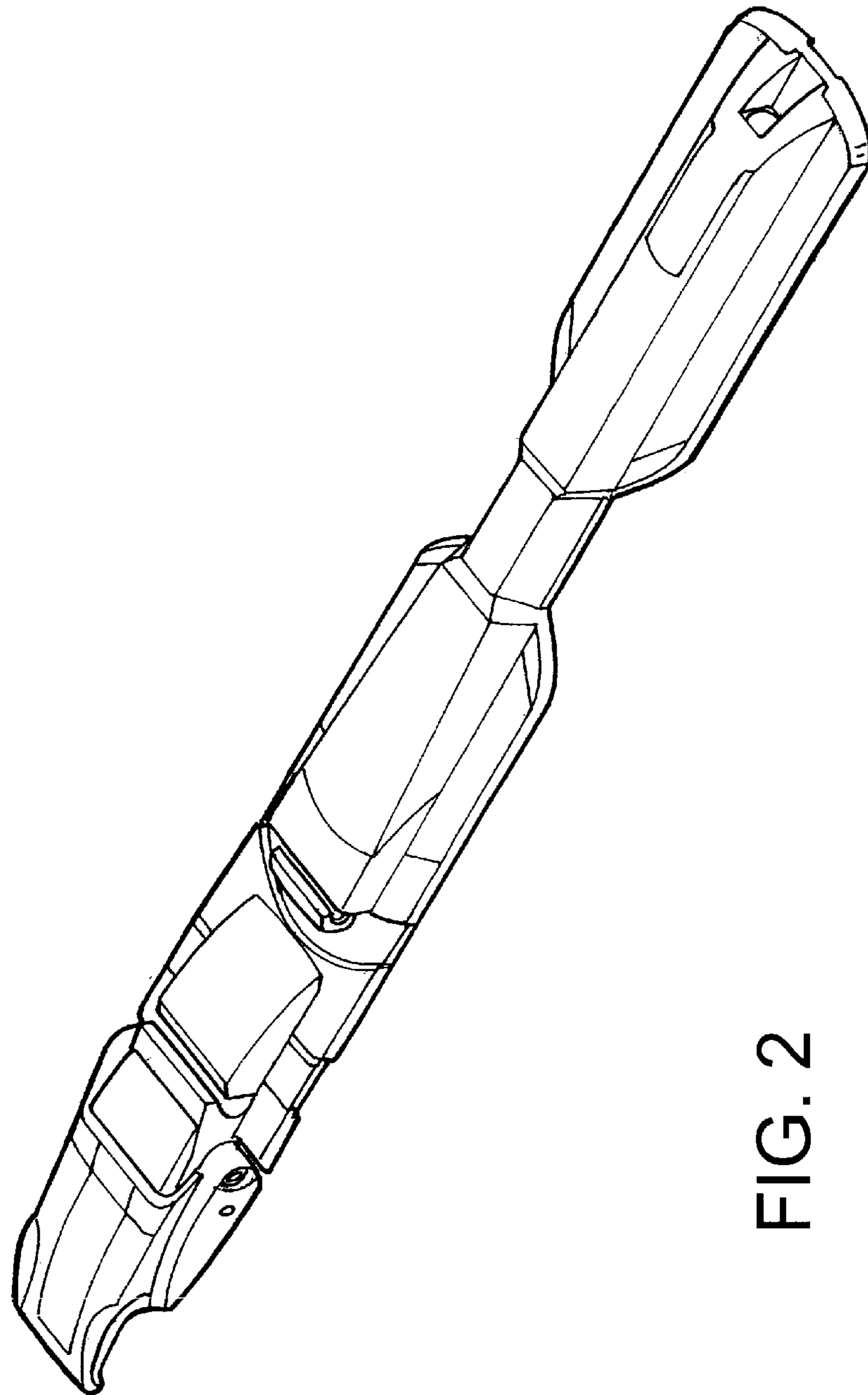


FIG. 2

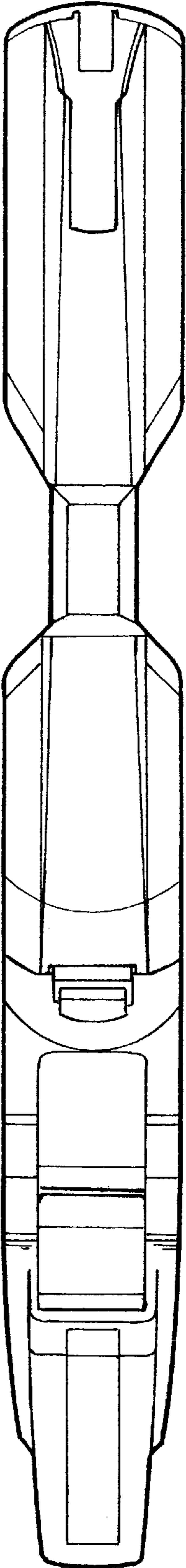


FIG. 3

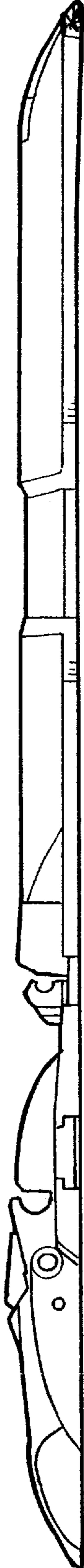


FIG. 4