



US00D538369S

(12) **United States Design Patent**
Gilbert et al.

(10) **Patent No.:** **US D538,369 S**

(45) **Date of Patent:** **** *Mar. 13, 2007**

(54) **GOLF CLUB CAVITY WITH RED SECTION**

(75) Inventors: **Peter J. Gilbert**, Carlsbad, CA (US);
John Kelley, San Francisco, CA (US);
Christopher R. Kays, San Marcos, CA
(US); **Bruce R. Pettibone**, Carlsbad,
CA (US)

(73) Assignee: **Acushnet Company**, Fairhaven, MA
(US)

(*) Notice: This patent is subject to a terminal dis-
claimer.

(**) Term: **14 Years**

(21) Appl. No.: **29/240,671**

(22) Filed: **Oct. 17, 2005**

(51) **LOC (8) Cl.** **21-02**

(52) **U.S. Cl.** **D21/759**

(58) **Field of Classification Search** D21/747-751,
D21/759; 473/324-331, 350
See application file for complete search history.

(56) **References Cited**

U.S. PATENT DOCUMENTS

D383,820 S * 9/1997 Watanabe D21/749

D435,278 S * 12/2000 Reed et al. D21/747
D466,576 S * 12/2002 Nagai et al. D21/759
D490,490 S 5/2004 Gilbert et al.
D490,871 S 6/2004 Gilbert et al.
D511,360 S * 11/2005 Kawami D21/747
D512,475 S * 12/2005 Madore D21/759
D516,152 S * 2/2006 Madore D21/759
D517,626 S * 3/2006 Gilbert et al. D21/747

* cited by examiner

Primary Examiner—Mitchell Siegel

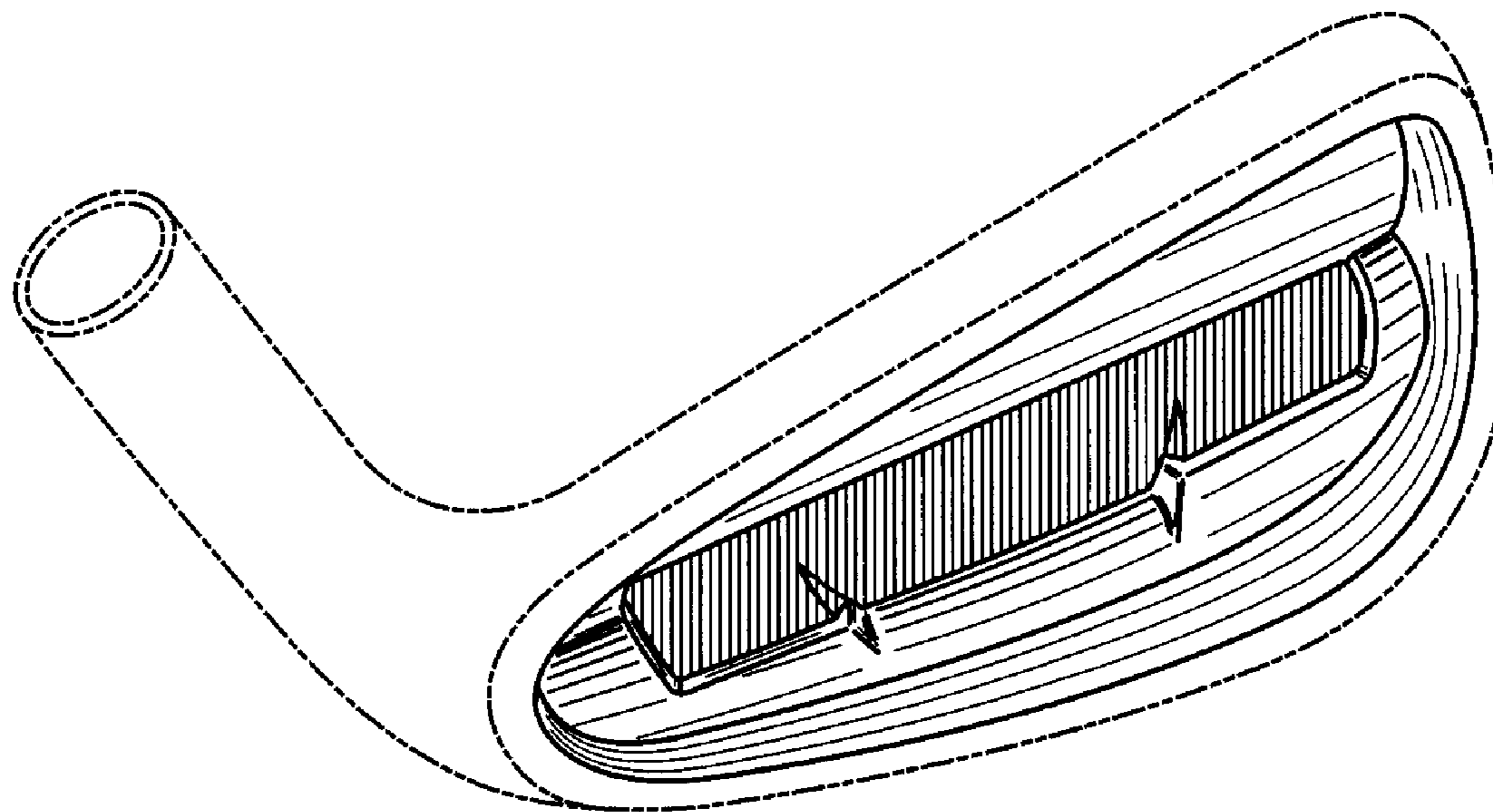
(57) **CLAIM**

The ornamental design for a golf club cavity with a red
section, as shown and described.

DESCRIPTION

FIG. 1 is a heel side perspective view of our new golf club
cavity with a red section;
FIG. 2 is a toe side perspective view thereof;
FIG. 3 is a bottom perspective view thereof;
FIG. 4 is a back side view thereof; and,
FIG. 5 is a toe side view thereof.
The portion of the golf club shown in phantom does not form
any portion of the present invention. The center section with
vertical hatching designates the red section.

1 Claim, 2 Drawing Sheets



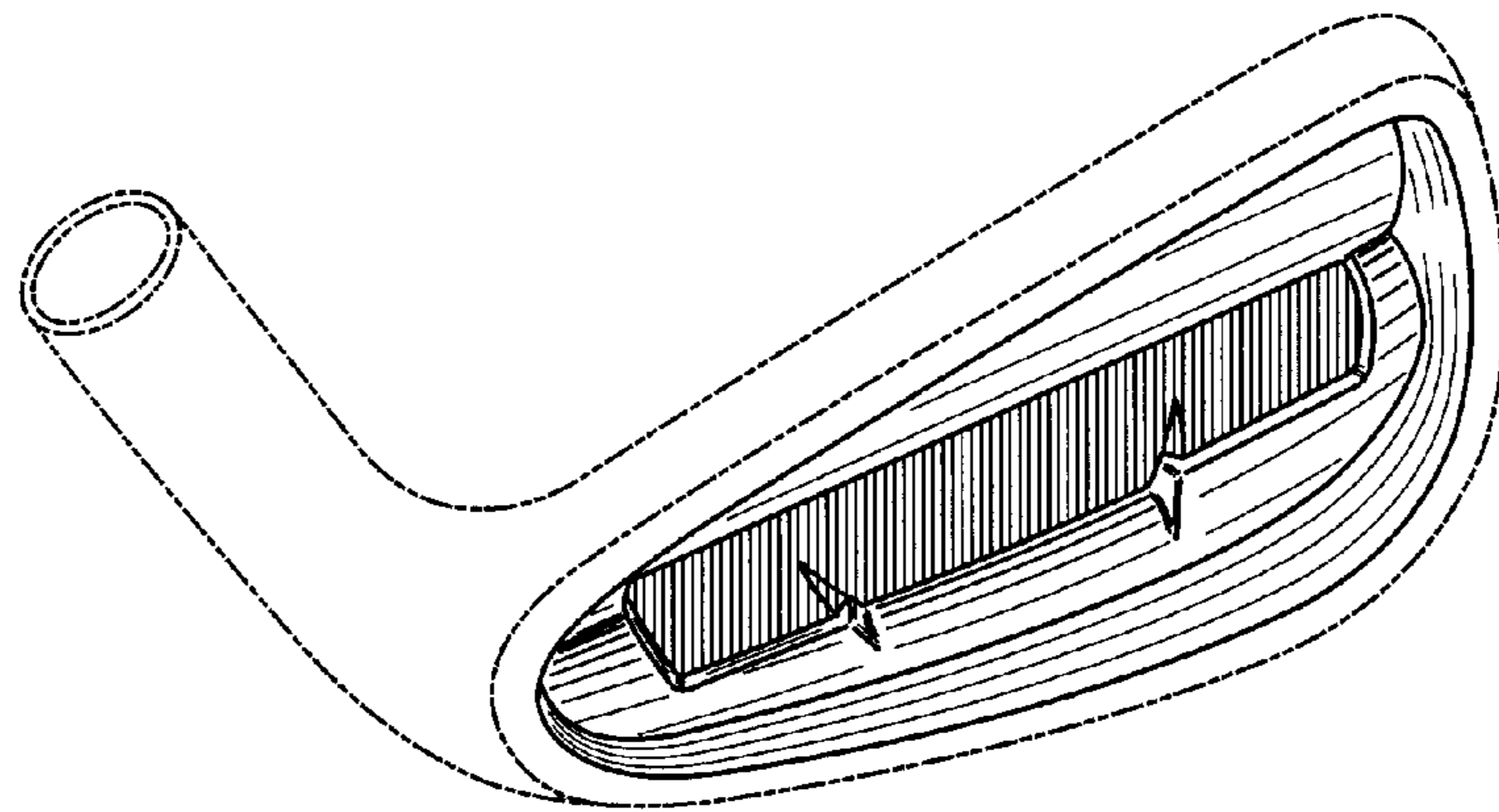


FIG. 1

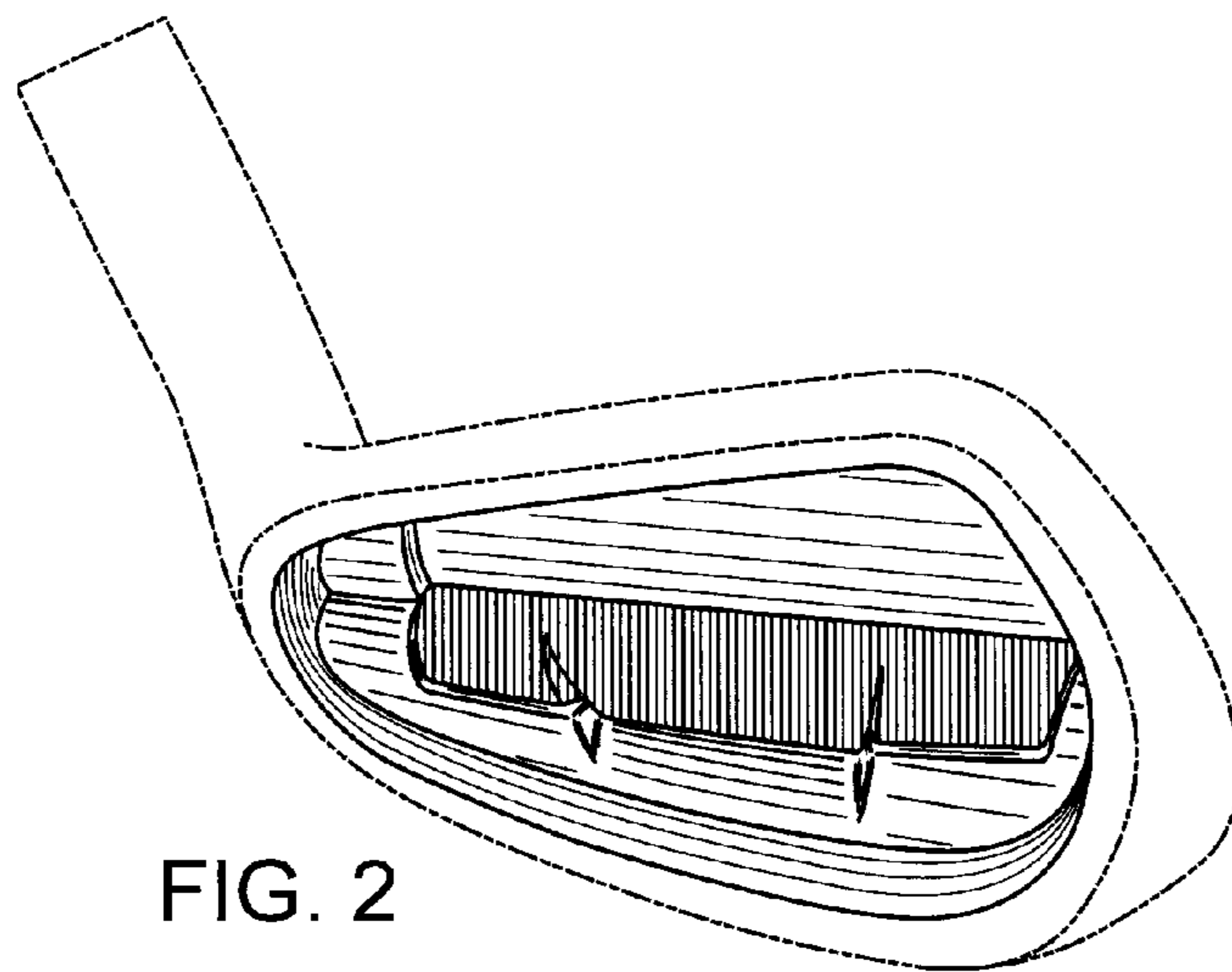


FIG. 2

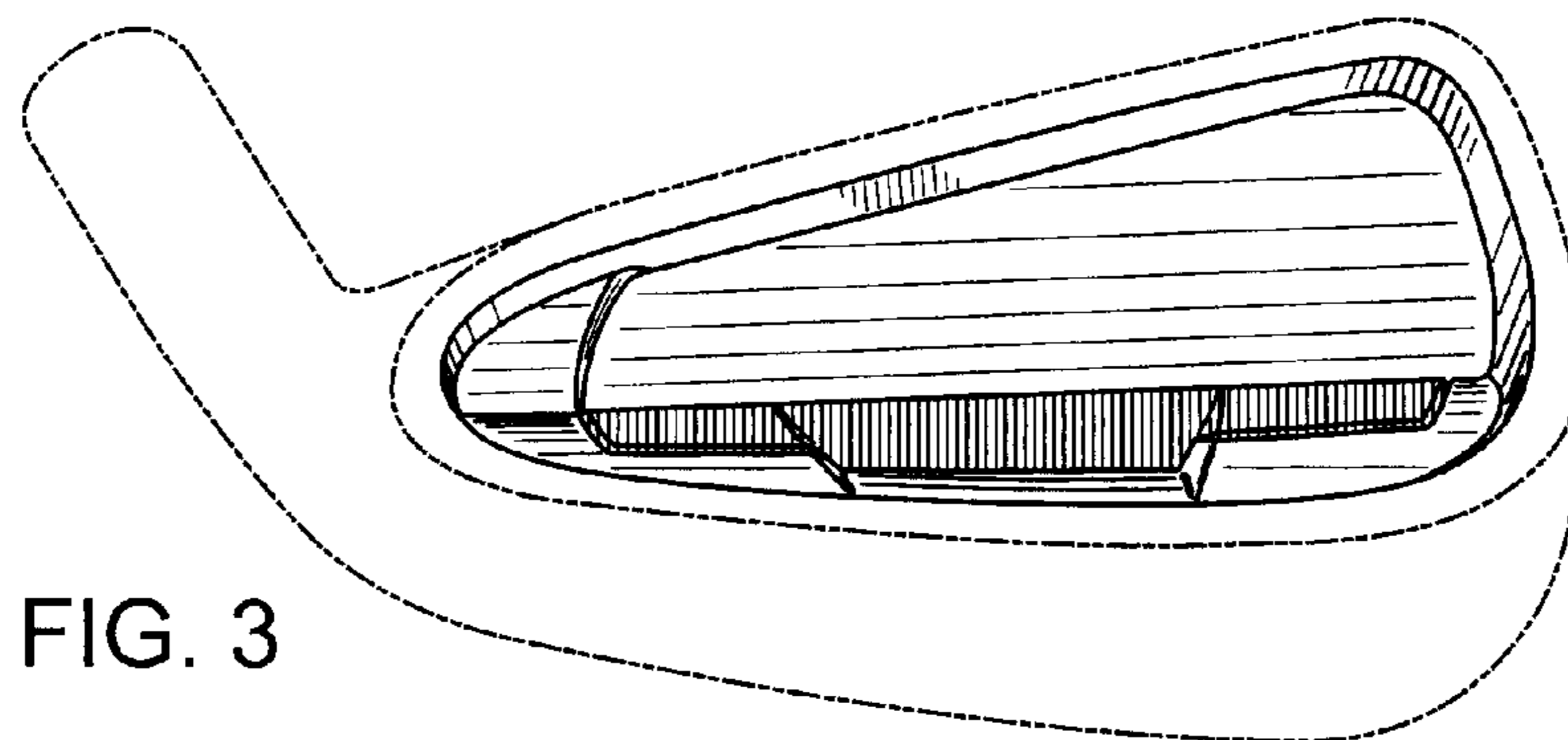


FIG. 3

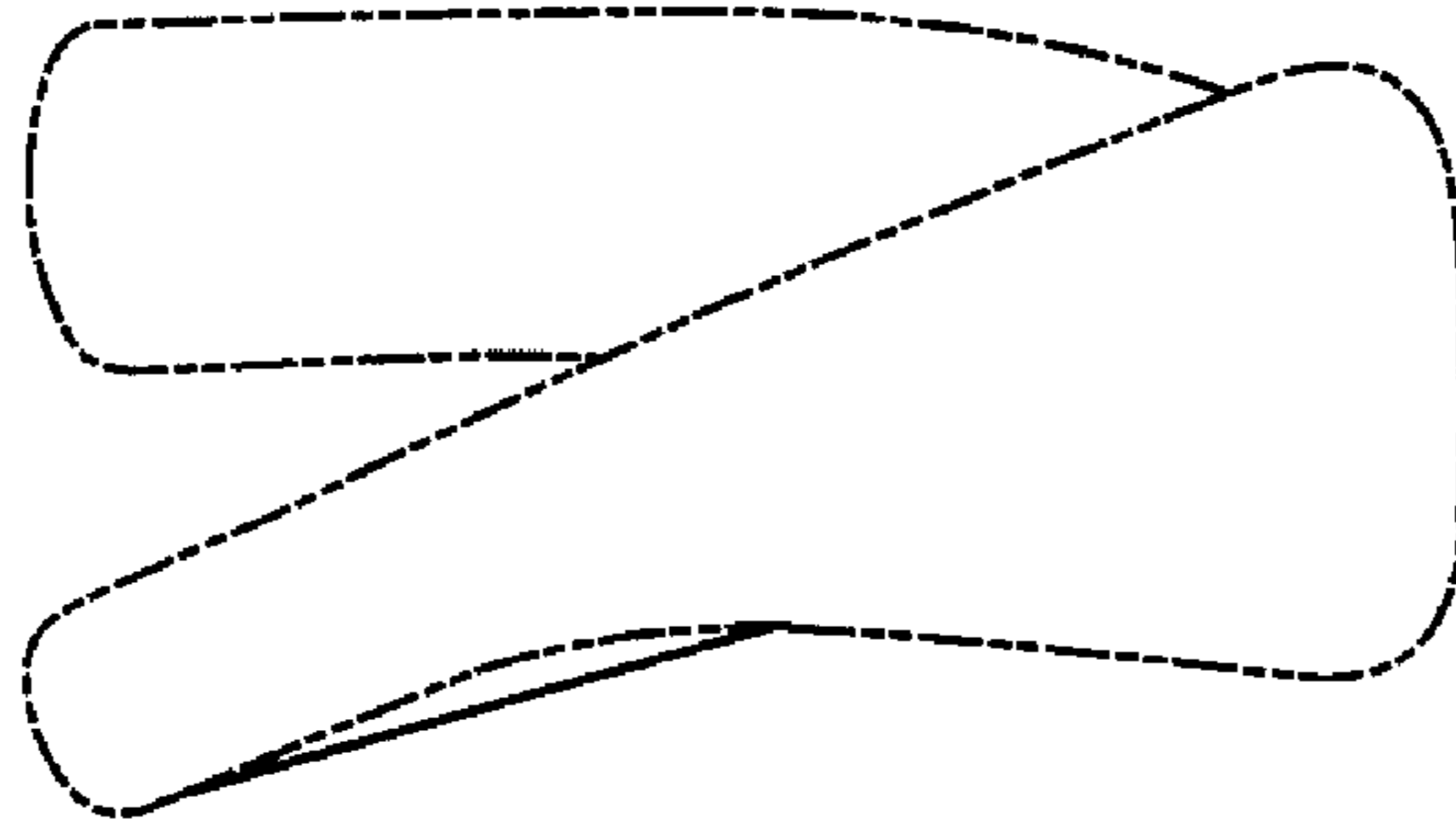


FIG. 5

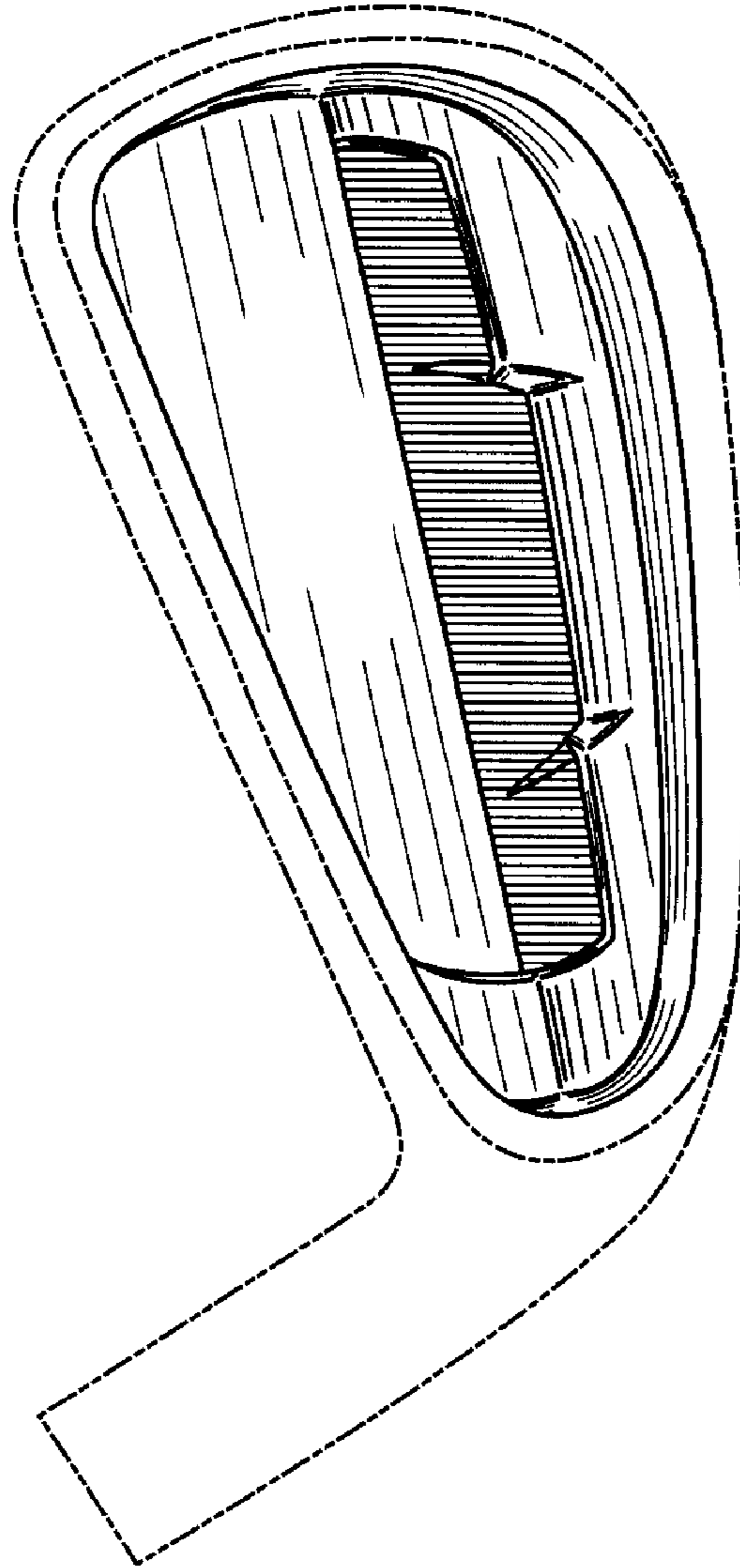


FIG. 4