

US00D538364S

(12) **United States Design Patent**
Frame et al.

(10) **Patent No.:** **US D538,364 S**
(45) **Date of Patent:** **** Mar. 13, 2007**

(54) **GOLF CLUB HEAD**

(75) Inventors: **Nick Frame**, Vista, CA (US); **Maresala Milo**, San Diego, CA (US); **Jose Miraflor**, Oceanside, CA (US); **Marni Ines**, San Marcos, CA (US)

(73) Assignee: **Taylor Made Golf Company, Inc.**, Carlsbad, CA (US)

(**) Term: **14 Years**

(21) Appl. No.: **29/254,829**

(22) Filed: **Feb. 27, 2006**

(51) **LOC (8) Cl.** **21-02**

(52) **U.S. Cl.** **D21/736**

(58) **Field of Classification Search** D21/736-746;
473/324-331, 340, 341, 251-256

See application file for complete search history.

(56) **References Cited**

U.S. PATENT DOCUMENTS

D437,017 S *	1/2001	Ford	D21/744
6,471,600 B2	10/2002	Tang et al.		
6,506,125 B2	1/2003	Helmstetter et al.		
6,692,378 B2	2/2004	Shmoldas et al.		
6,716,110 B1	4/2004	Ballow		
6,796,911 B2	9/2004	Grace		
D503,445 S *	3/2005	Toroussian	D21/736
6,896,625 B2	5/2005	Grace		
D521,582 S *	5/2006	Souza et al.	D21/743
D523,102 S *	6/2006	Stites et al.	D21/742
2003/0228925 A1	12/2003	Rohrer		

OTHER PUBLICATIONS

Internet website, "Odyssey 2-Ball Putter," www.drputt.com/Ody2BallPutter.htm (3 pages).

Internet website, "Ping CRAZ-E Putter," www.utahgolf.net/product460.html (1 page).

Internet website of Callaway Golf I-Trax putter, www.callawaygolf.com/en/ProductCatalog.aspx?type=8 (1 page).

Internet website of Ray Cook Golf Super Gyro 1, Super Gyro 2, Super Gyro 3, and Super Gyro 4 clubs, www.ray-cookgolf.com/supergyro_series.htm (2 pages), www.ray-cookgolf.com/gyro_series.htm (3 pages).

Internet website of Never Compromise Inc. Voodoo putters, www.nevercompromise.com/nevercompromise.html (1 page).

Internet website of Nike BC OZ T100 putter, www.nike.com/nikegolf/flash_reg.jhtml.

Sales literature, Callaway Golf I-Trax Putter (1 page).

Sales literature, MacGregor V-Foil and M-Series putters (1 page).

Images of Ben Hogan Baby Ben putter (2 pages).

Images of Ben Hogan Hawk putter (2 pages).

Images of MacGregor V-Foil putter (5 pages).

Images of Odyssey putters (1 page).

Images of Ping putters (1 page).

Images of Scotty Cameron Phantom putters (3 pages).

* cited by examiner

Primary Examiner—Mitchell Siegel

(74) *Attorney, Agent, or Firm*—Klarquist Sparkman, LLP

(57) **CLAIM**

We claim the ornamental design for a golf club head, as shown and described.

DESCRIPTION

FIG. 1 is a perspective view of a putter head, as viewed from the front, top, and one side thereof, according to one embodiment.

FIG. 2 is a perspective of the putter head of FIG. 1, as viewed from the rear, top, and one side thereof.

FIG. 3 is a front elevation view of the putter head of FIG. 1.

FIG. 4 is a rear elevation view of the putter head of FIG. 1.

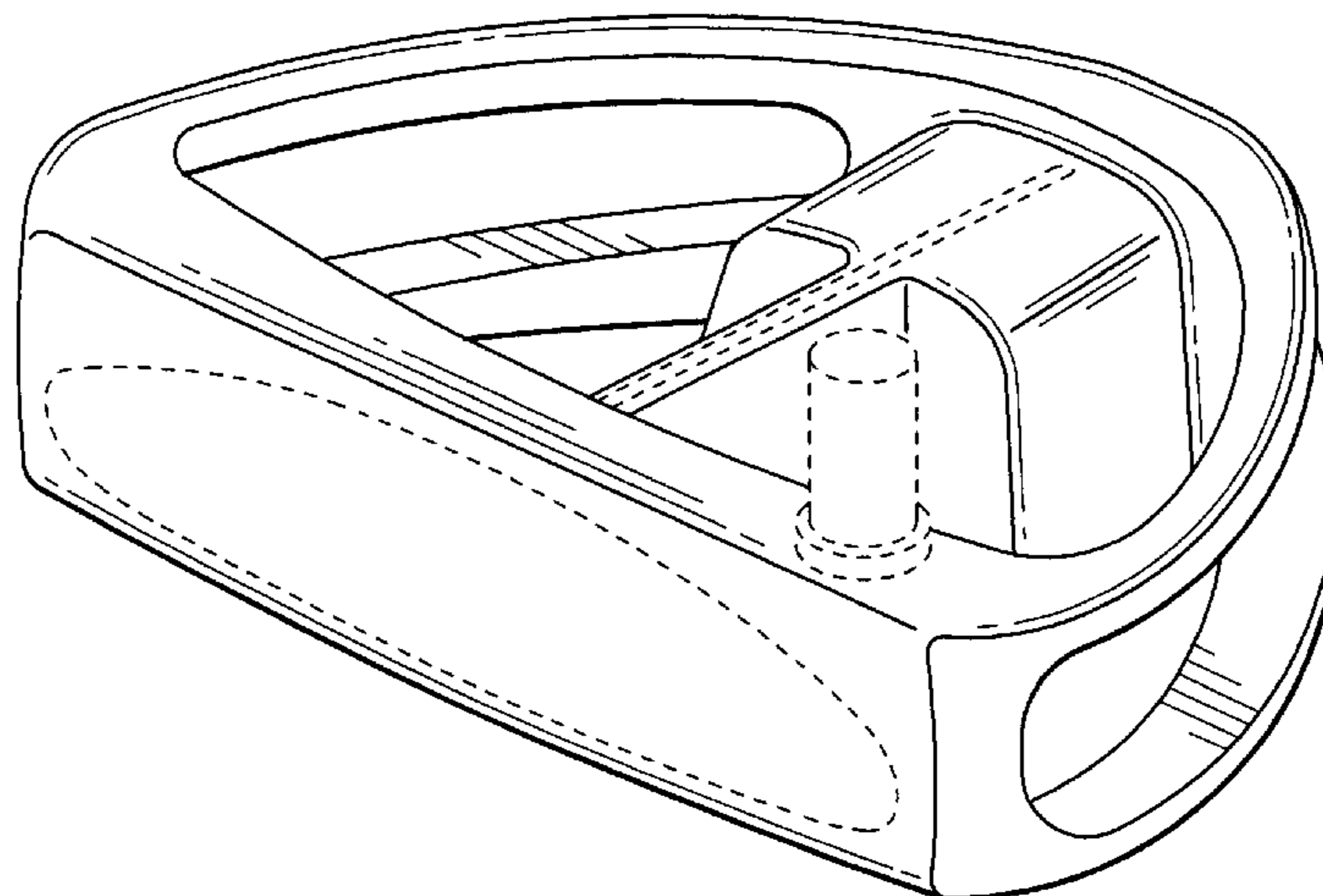
FIG. 5 is a side elevation view of the putter head of FIG. 1, the opposite side being a mirror image thereof.

FIG. 6 is a top plan view of the putter head of FIG. 1; and,

FIG. 7 is a bottom plan view of the putter head of FIG. 1.

The dashed lines in the drawings are for illustrative purposes only and form no part of the claimed design.

1 Claim, 3 Drawing Sheets



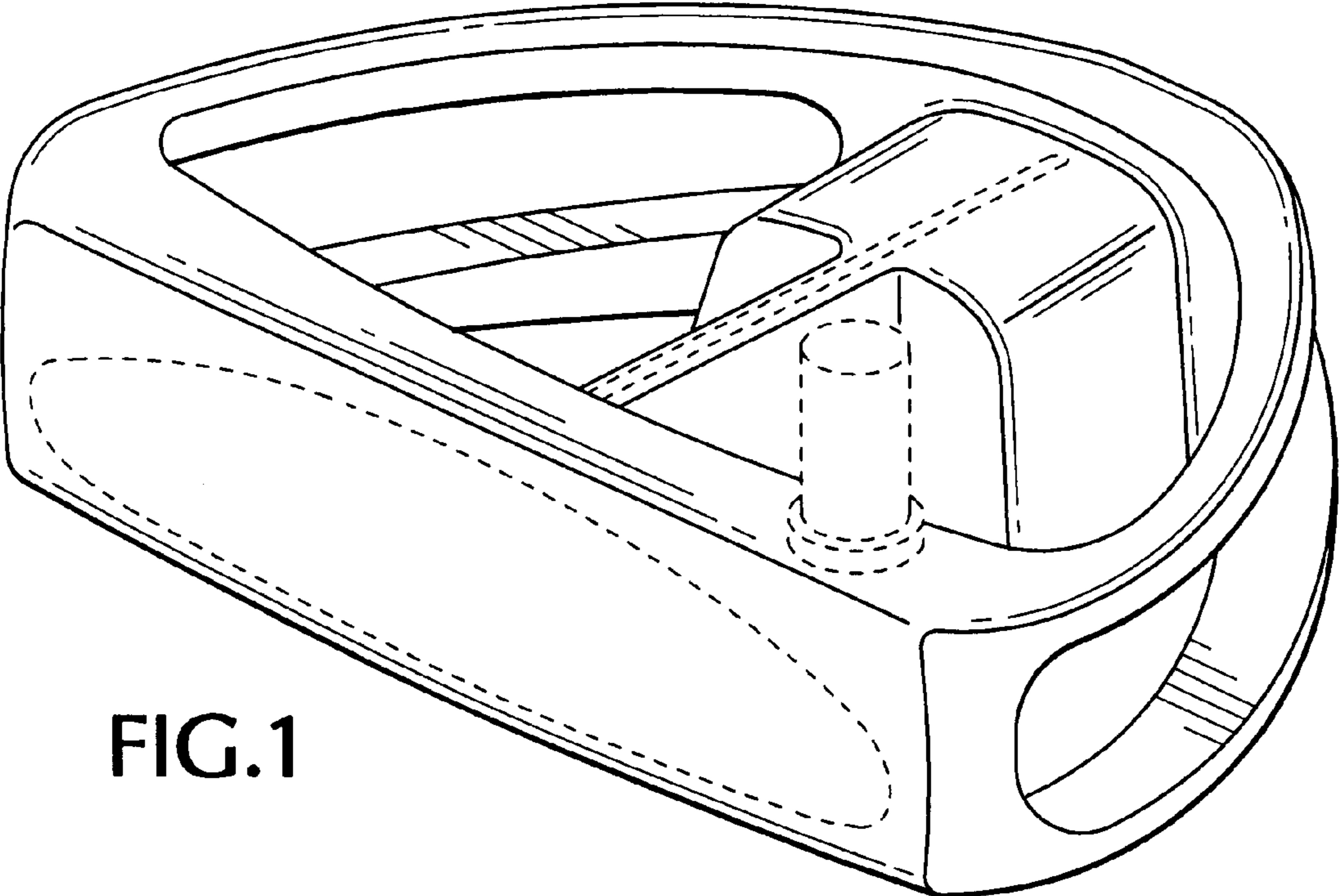


FIG. 1

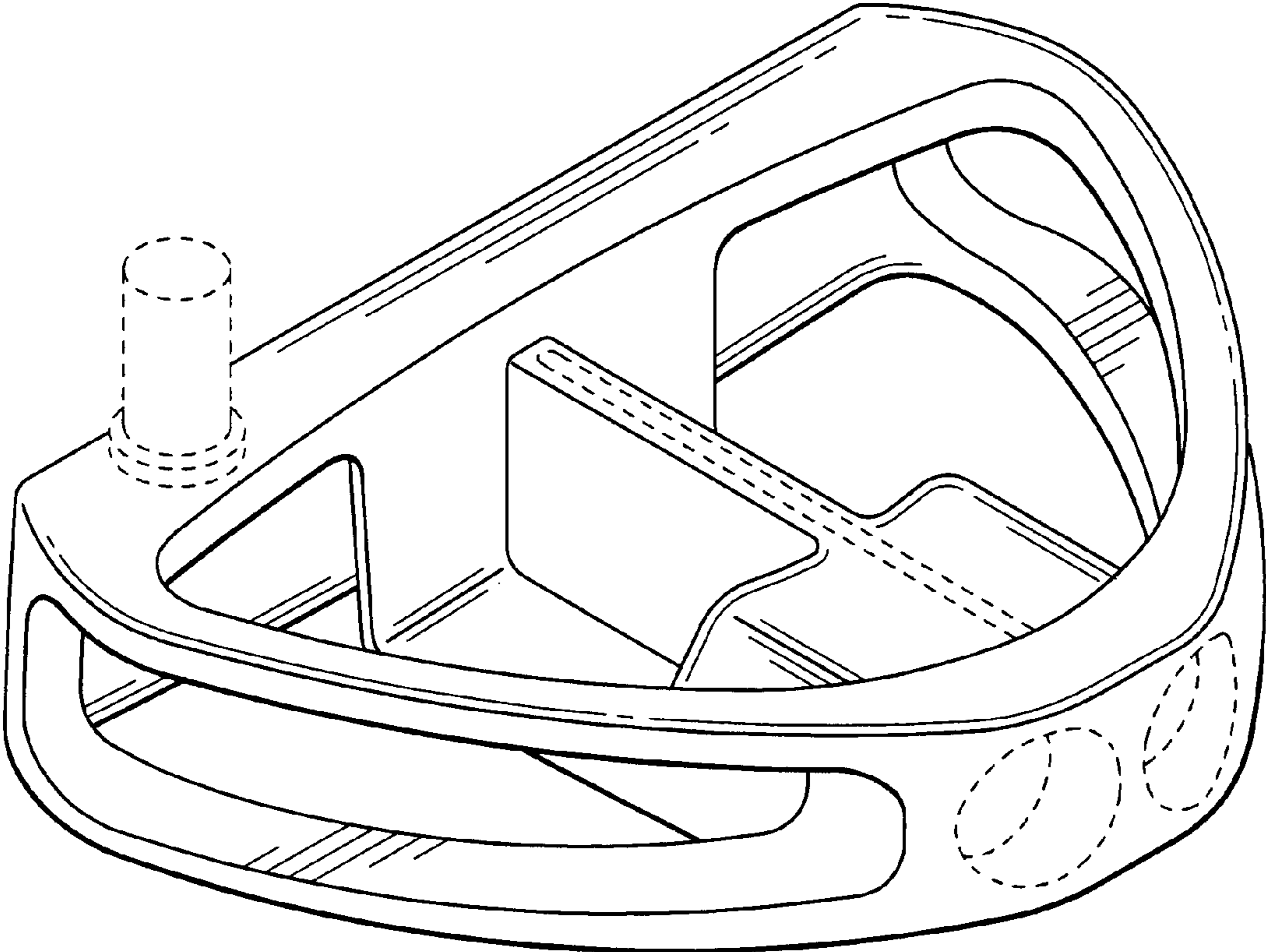


FIG. 2

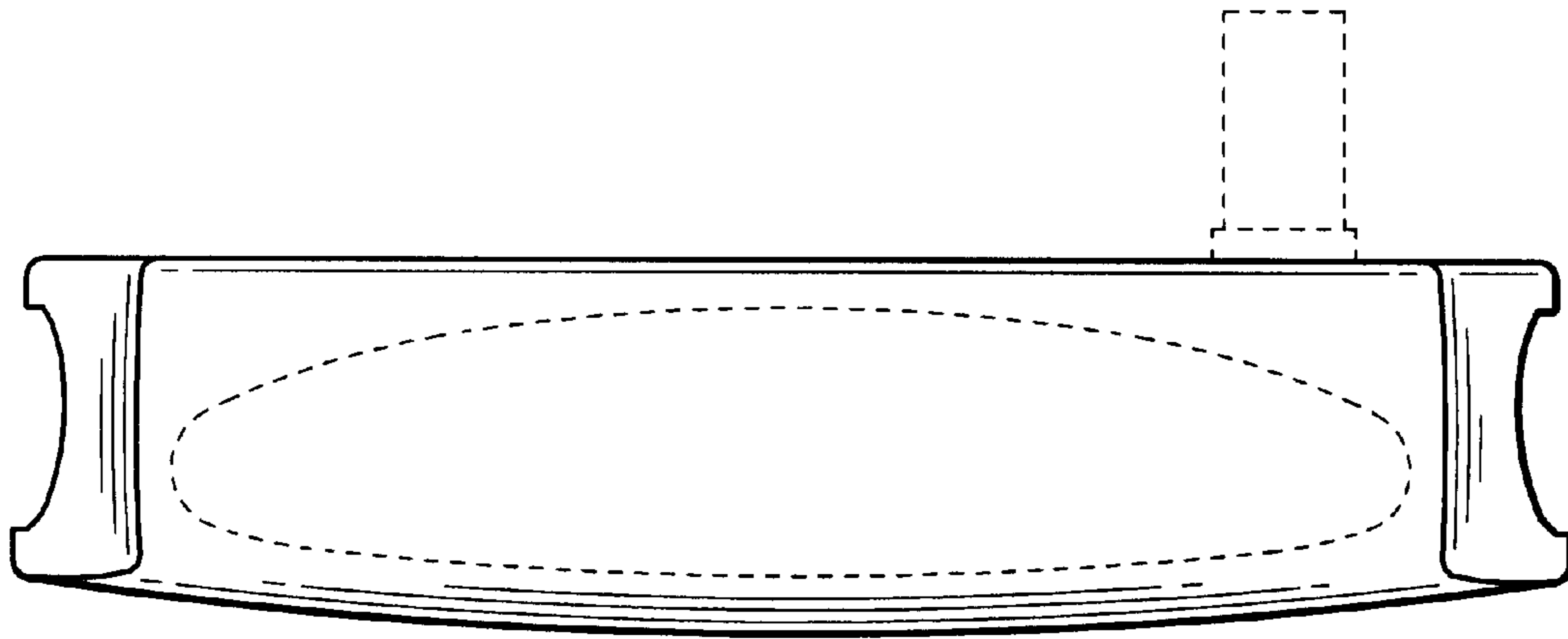


FIG.3

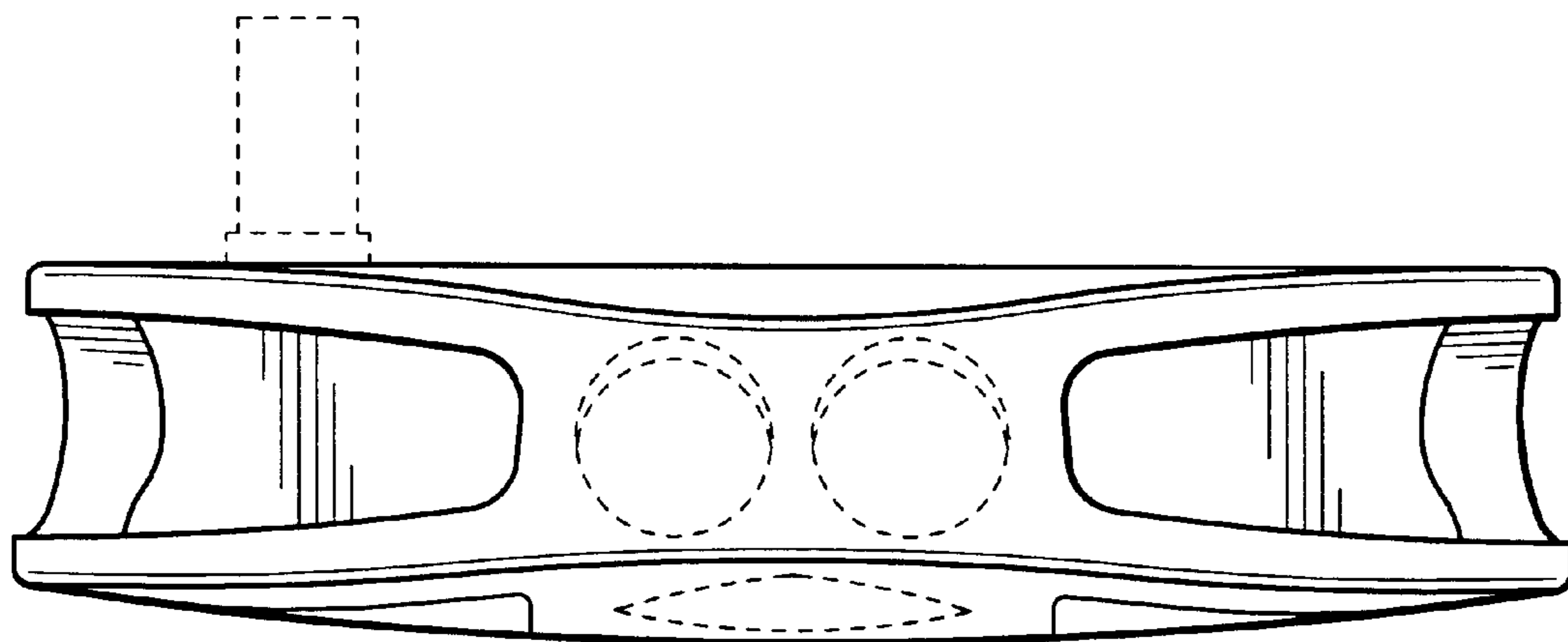


FIG.4

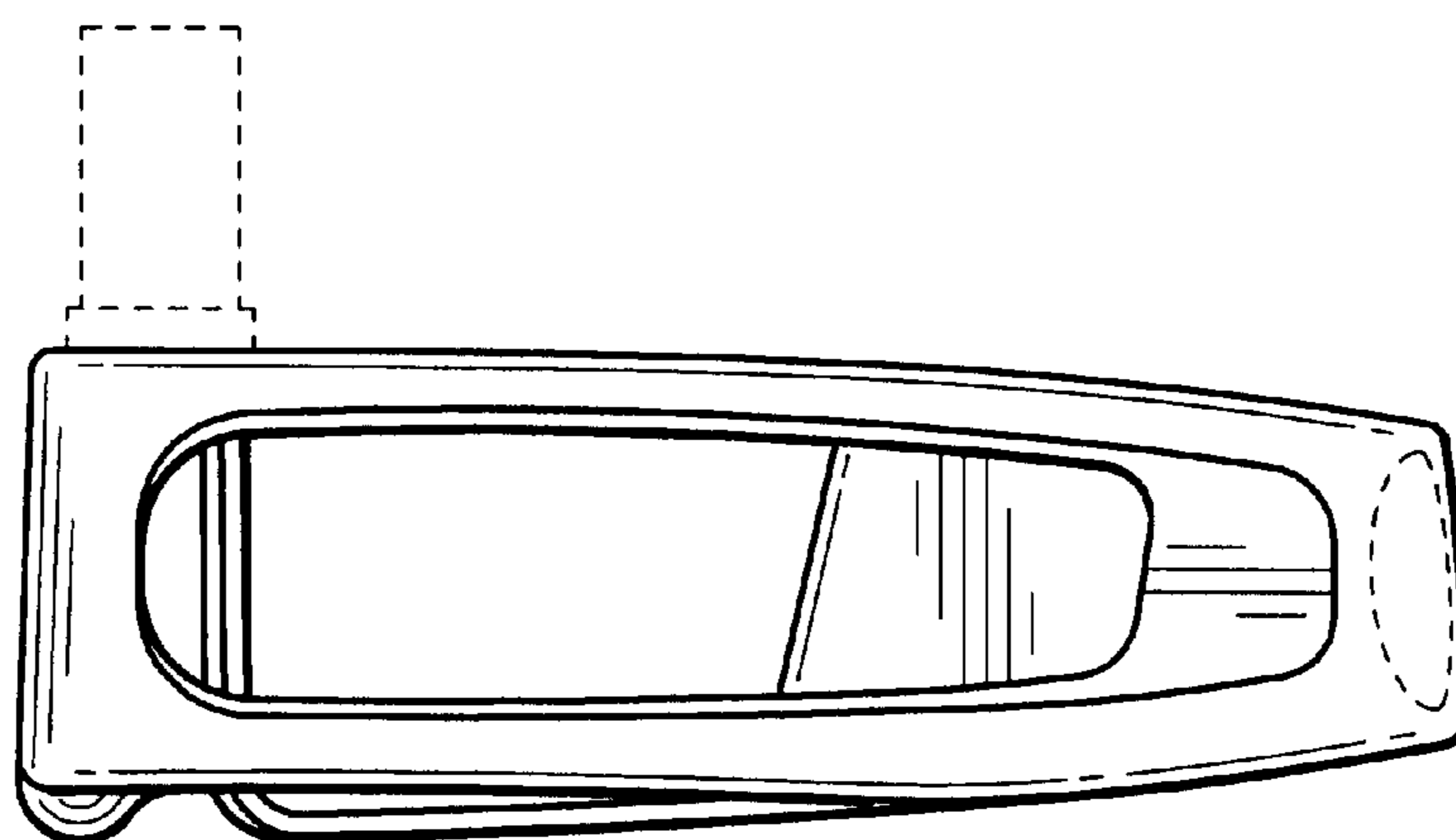


FIG.5

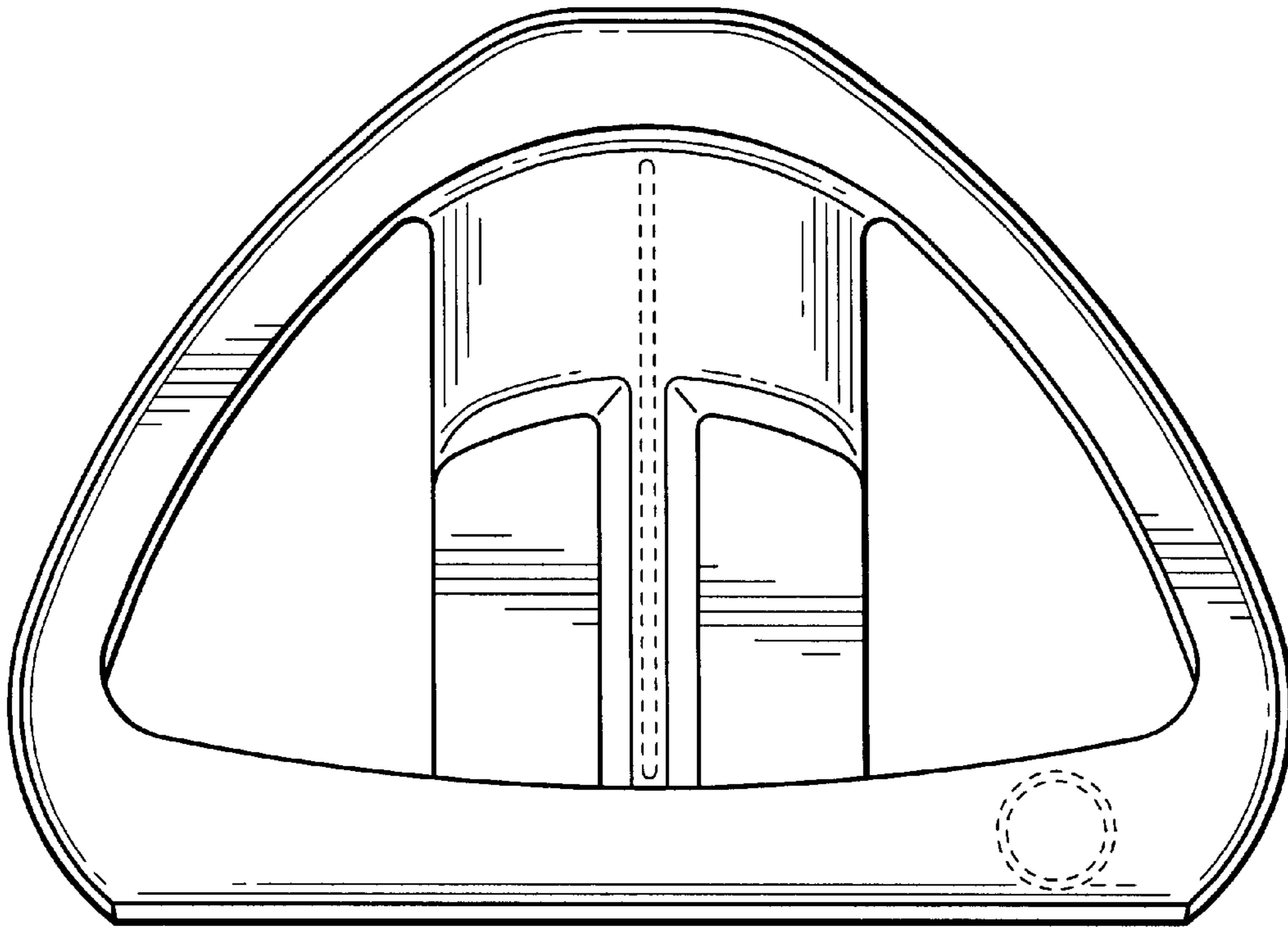


FIG. 6

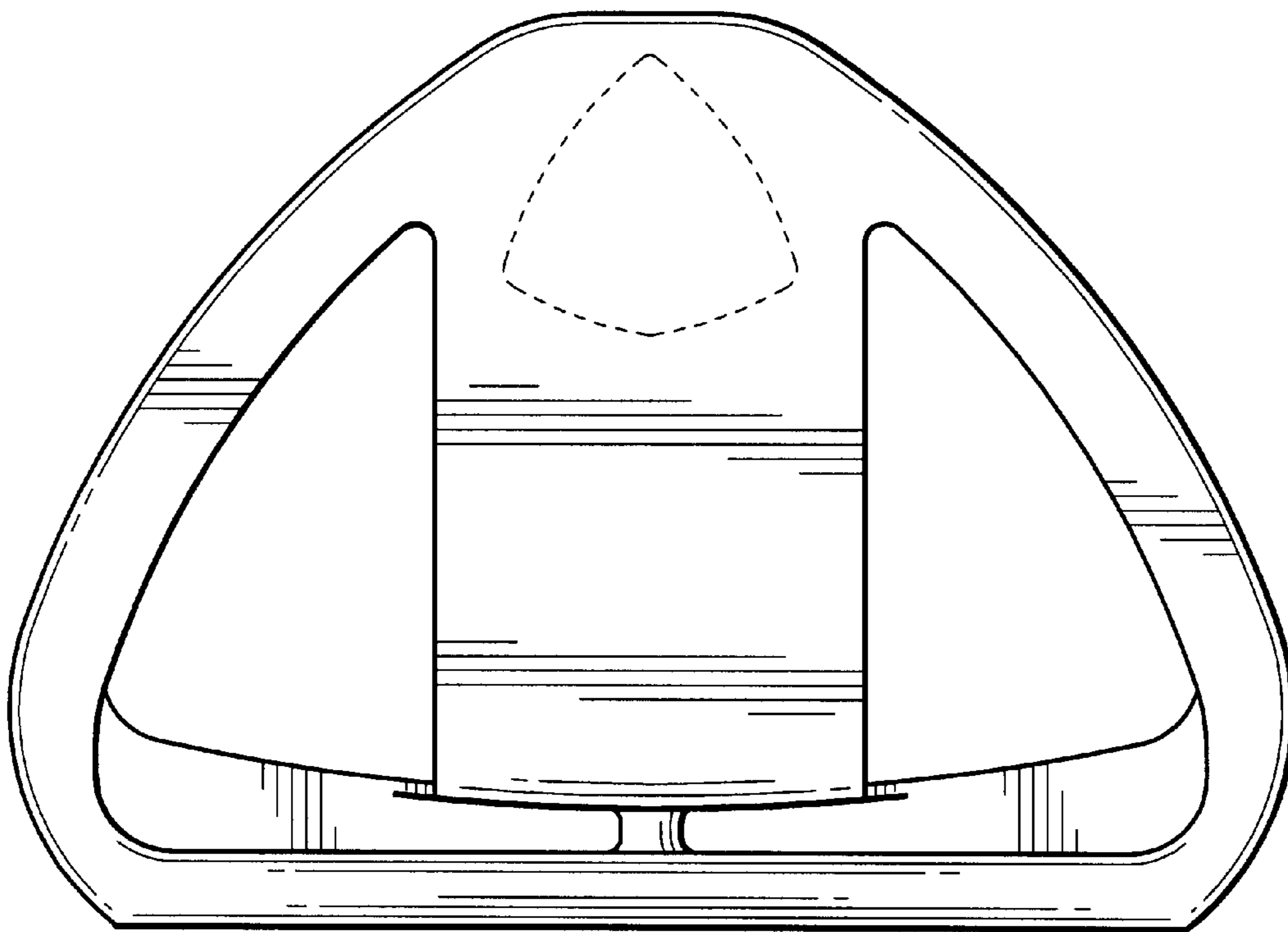


FIG. 7