

US00D538360S

(12) **United States Design Patent**
Beaupre

(10) **Patent No.:** **US D538,360 S**
(45) **Date of Patent:** **** Mar. 13, 2007**

(54) **EXERCISE APPARATUS FOR FOREARMS**
(75) Inventor: **Pierre-Paul Beaupre, L'ile Perrot (CA)**
(73) Assignee: **Productions Imagine Enterprise, Inc.,**
Province of Quebec (CA)
(**) Term: **14 Years**

D378,386 S 3/1997 Brubaker
D403,384 S * 12/1998 Clark et al. D21/684
D476,706 S 7/2003 Albright
D505,459 S * 5/2005 Lagattuta D21/684

* cited by examiner

Primary Examiner—Philip S. Hyder
(74) *Attorney, Agent, or Firm*—Merchant & Gould

(21) Appl. No.: **29/225,223**
(22) Filed: **Mar. 11, 2005**

(57) **CLAIM**

The ornamental design for an exercise apparatus for forearms, as shown and described.

(51) **LOC (8) Cl.** **21-02**
(52) **U.S. Cl.** **D21/684; D21/662**
(58) **Field of Classification Search** D21/662,
D21/684, 683; 482/44, 45, 46, 49, 50, 92,
482/93

DESCRIPTION

FIG. 1 is a perspective view of an exercise apparatus for forearms showing my new design, wherein the cable is in partially assembled state;
FIG. 2 is a front elevation view, wherein, the rear view being a mirror image thereof; and,
FIG. 3 is an enlarged left side elevation view thereof, wherein the cable is in a fully assembled state, the right side view is a mirror image thereof.
The broken line showing of the weight in FIG. 1 is for illustrative purposes only and forms no part of the claimed design.

See application file for complete search history.

(56) **References Cited**

U.S. PATENT DOCUMENTS

3,806,121 A * 4/1974 Crossley 273/335
D264,237 S 5/1982 McCabe et al.
D268,436 S 3/1983 Clark
4,438,920 A 3/1984 Veillette
5,312,309 A 5/1994 Fox

1 Claim, 3 Drawing Sheets

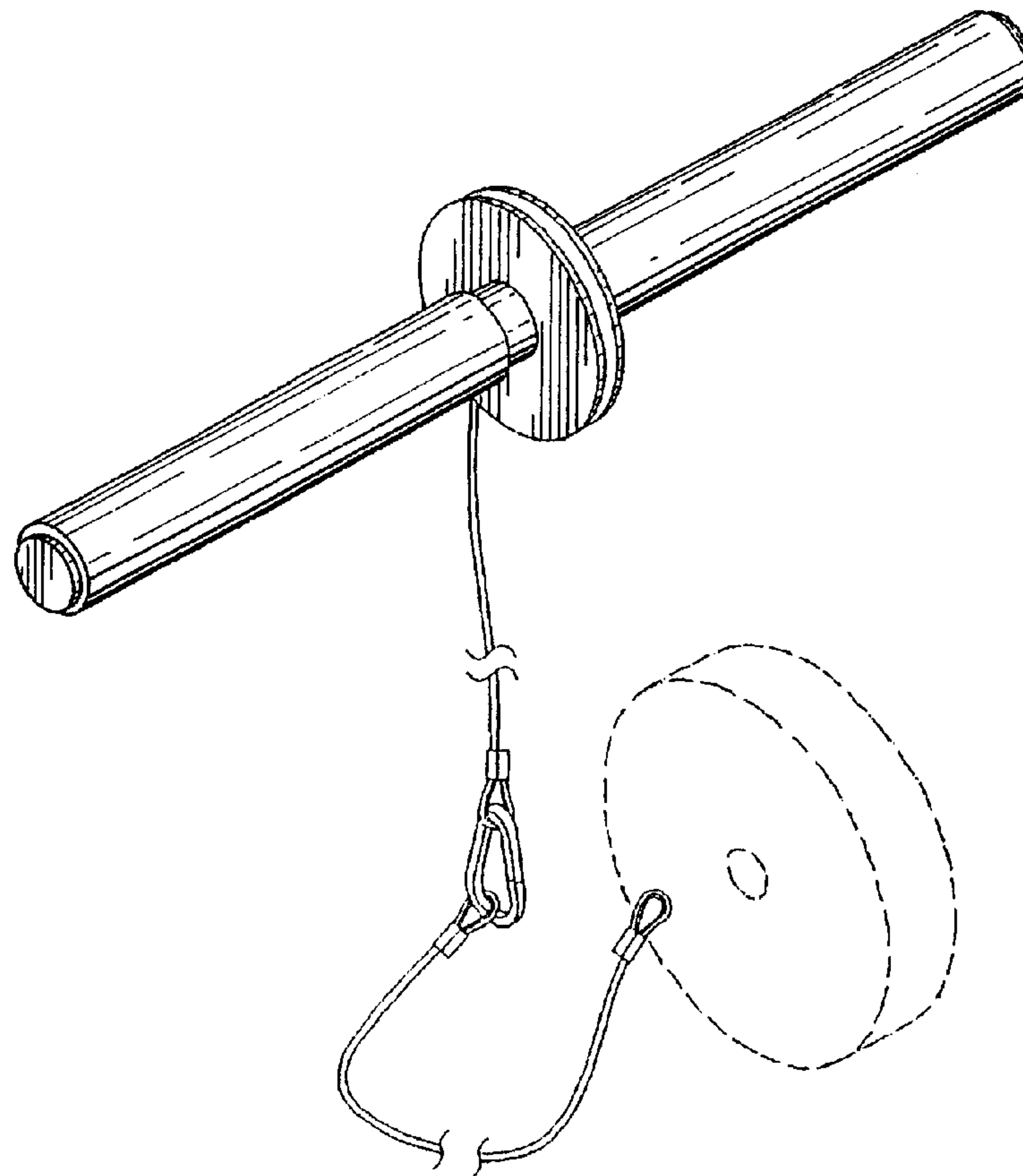
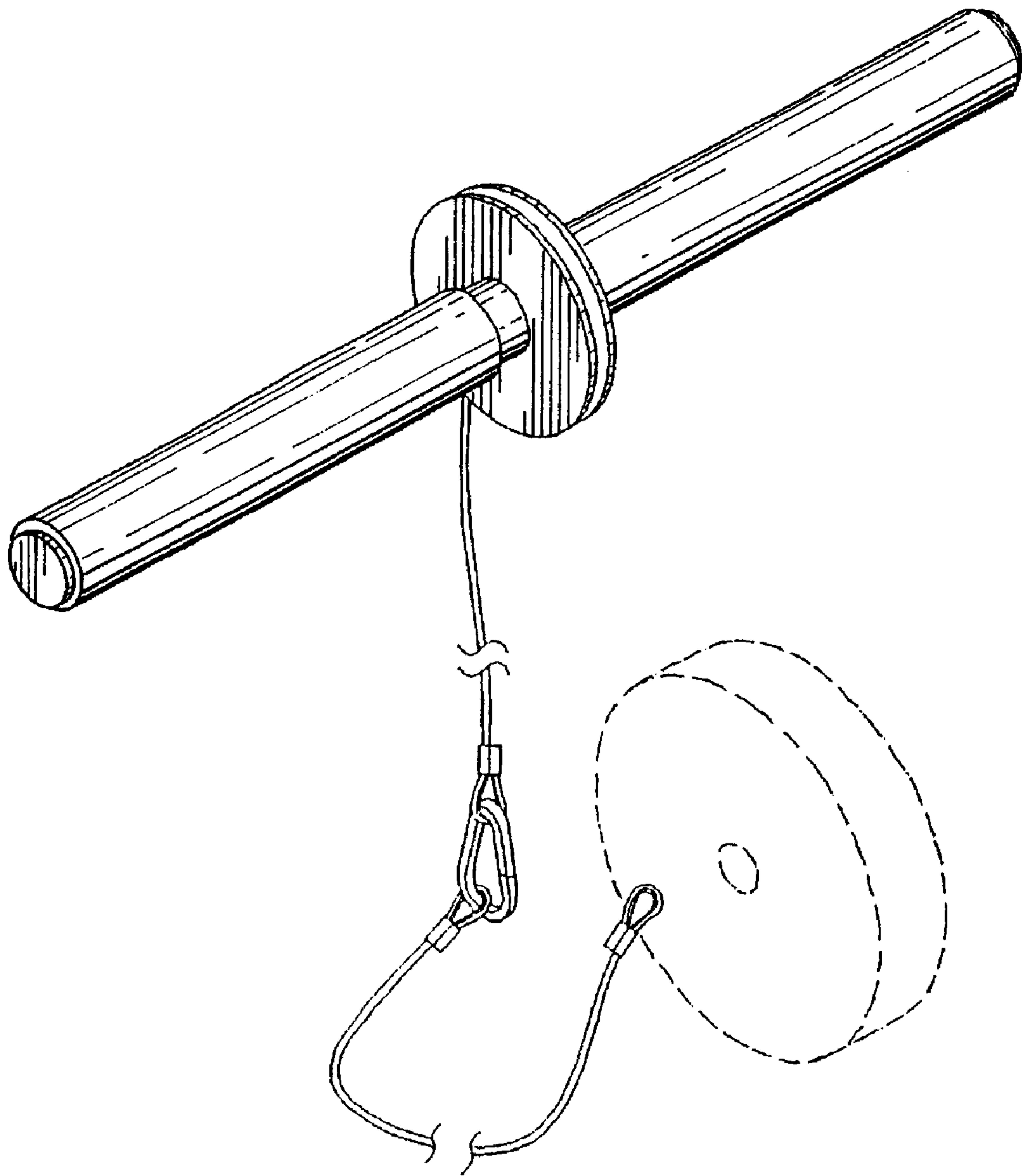


FIG. 1



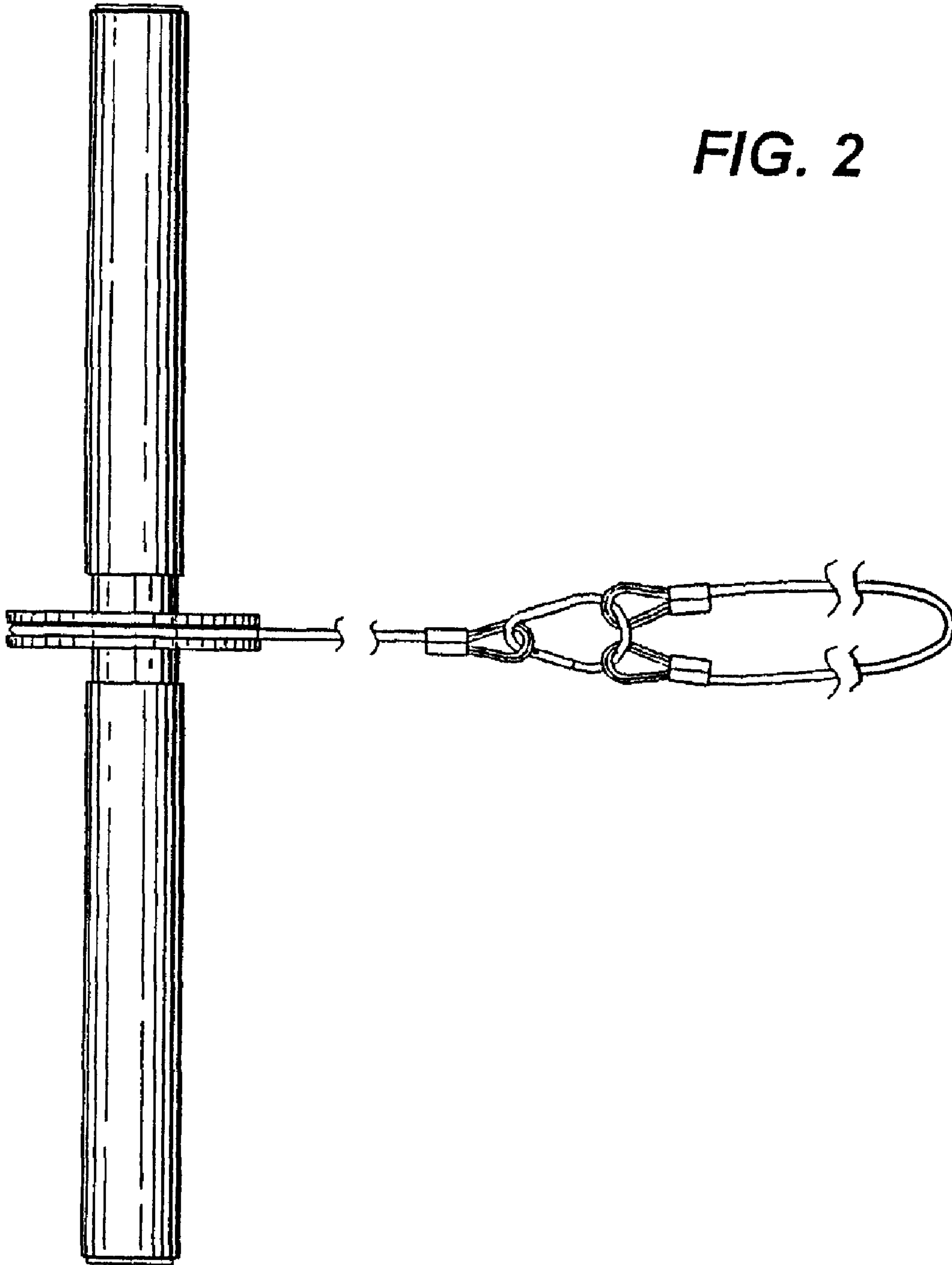


FIG. 2

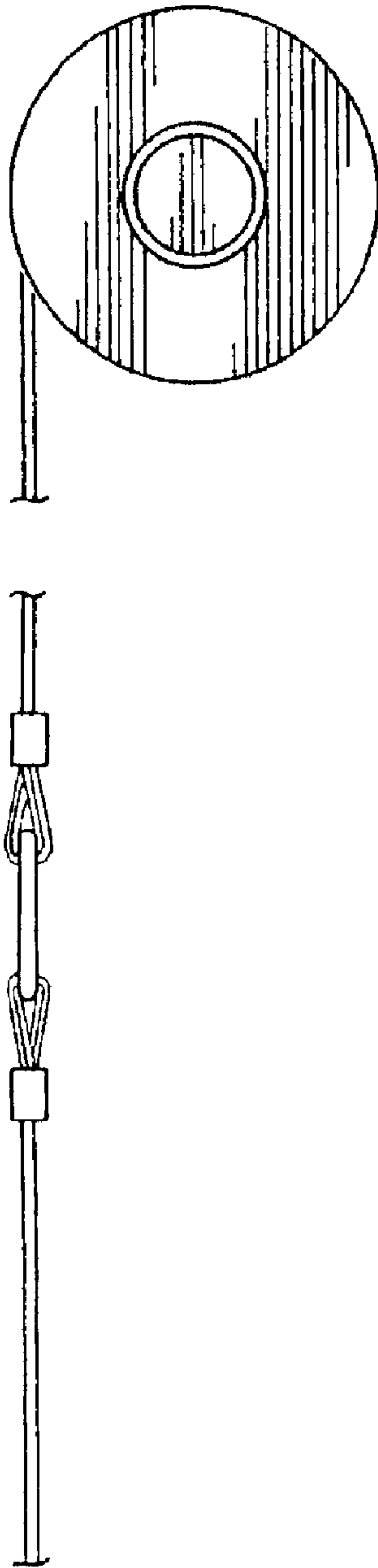


FIG. 3