



US00D538359S

(12) **United States Design Patent**  
**Yordinsky**

(10) **Patent No.:** **US D538,359 S**

(45) **Date of Patent:** **\*\* Mar. 13, 2007**

(54) **EXERCISE DUMBBELL WITH BOTTLE ENDS SHAPED LIKE APPLES**

(76) Inventor: **Sol Yordinsky**, 23 Dongan Hills Ave.,  
Staten Island, NY (US) 10306

(\*\*) Term: **14 Years**

(21) Appl. No.: **29/236,516**

(22) Filed: **Aug. 17, 2005**

(51) **LOC (8) Cl.** ..... **21-02**

(52) **U.S. Cl.** ..... **D21/681**

(58) **Field of Classification Search** ..... D21/680,  
D21/681, 682, 683, 684; 482/105, 106, 107,  
482/108, 109

See application file for complete search history.

(56) **References Cited**

**U.S. PATENT DOCUMENTS**

3,334,899	A	*	8/1967	Bosko et al.	.....	482/108
4,695,051	A	*	9/1987	Jenison	.....	482/108
4,720,098	A		1/1988	Gordon	.....	272/122
D339,839	S	*	9/1993	Day	.....	D21/678
5,250,014	A	*	10/1993	Chang	.....	482/106

5,379,909	A		1/1995	Roark	.....	215/329
5,431,615	A		7/1995	Correll	.....	482/108
5,445,587	A		8/1995	Brown	.....	482/108
D415,803	S	*	10/1999	Cousins	.....	D21/681
6,382,439	B1		5/2002	Belokin et al.	.....	215/228

\* cited by examiner

*Primary Examiner*—Philip S. Hyder

(74) *Attorney, Agent, or Firm*—Goldstein Law Offices P.C.

(57) **CLAIM**

The ornamental design for an exercise dumbbell with bottle ends shaped like apples, as shown and described.

**DESCRIPTION**

FIG. 1 is a perspective view of the exercise dumbbell with bottle ends shaped like apples in full lines.

FIG. 2 is a front elevational view of the exercise dumbbell with bottle ends shaped like apples.

FIG. 3 is a rear elevational view thereof.

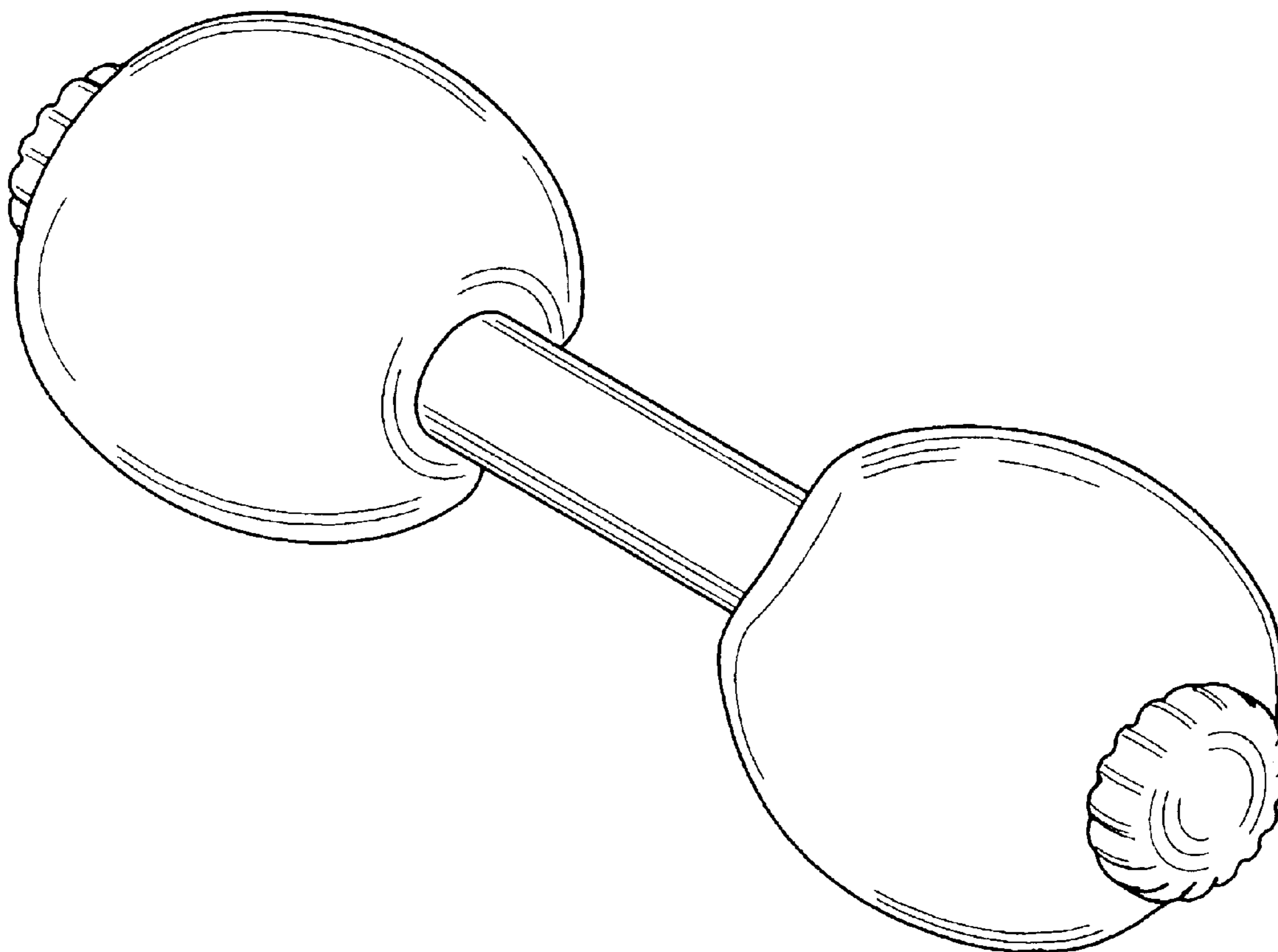
FIG. 4 is a left side elevational view thereof.

FIG. 5 is a right side elevational view thereof.

FIG. 6 is a top plan view thereof; and,

FIG. 7 is a bottom plan view thereof.

**1 Claim, 4 Drawing Sheets**



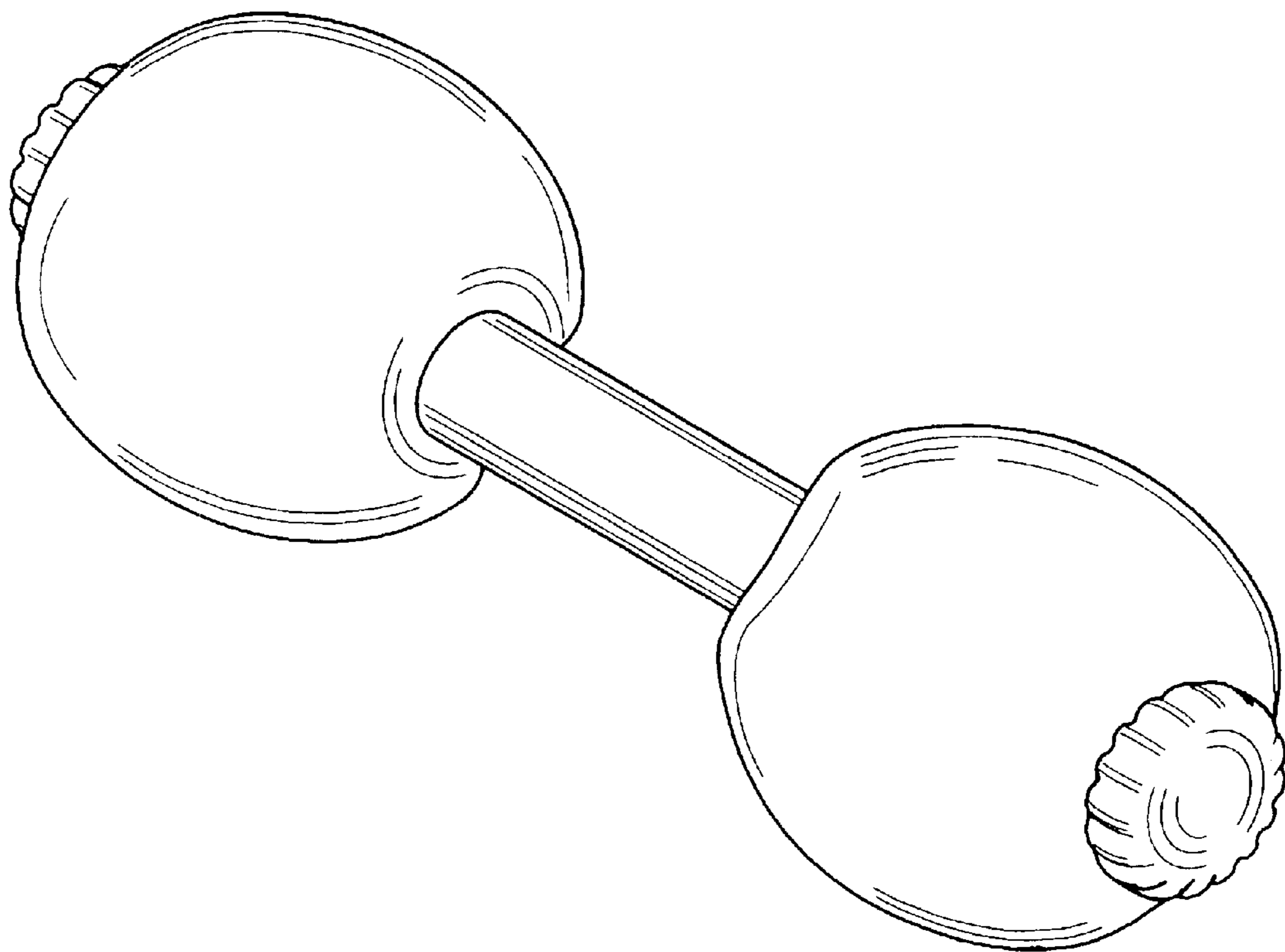


FIG. 1

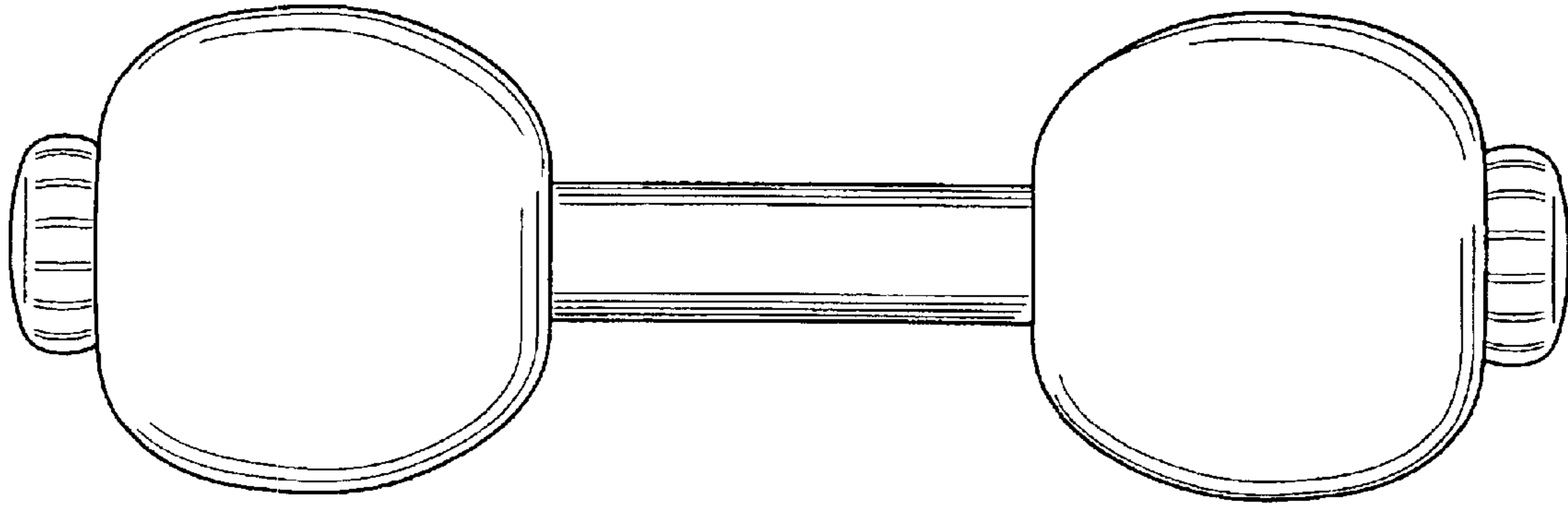


FIG. 2

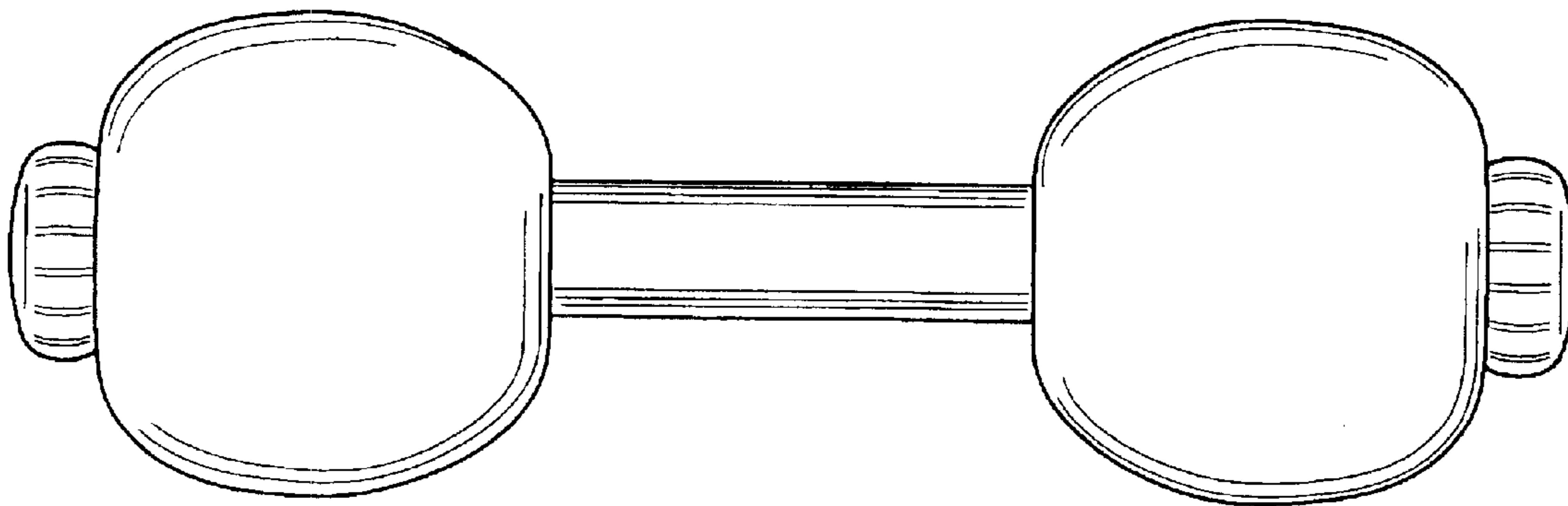


FIG. 3

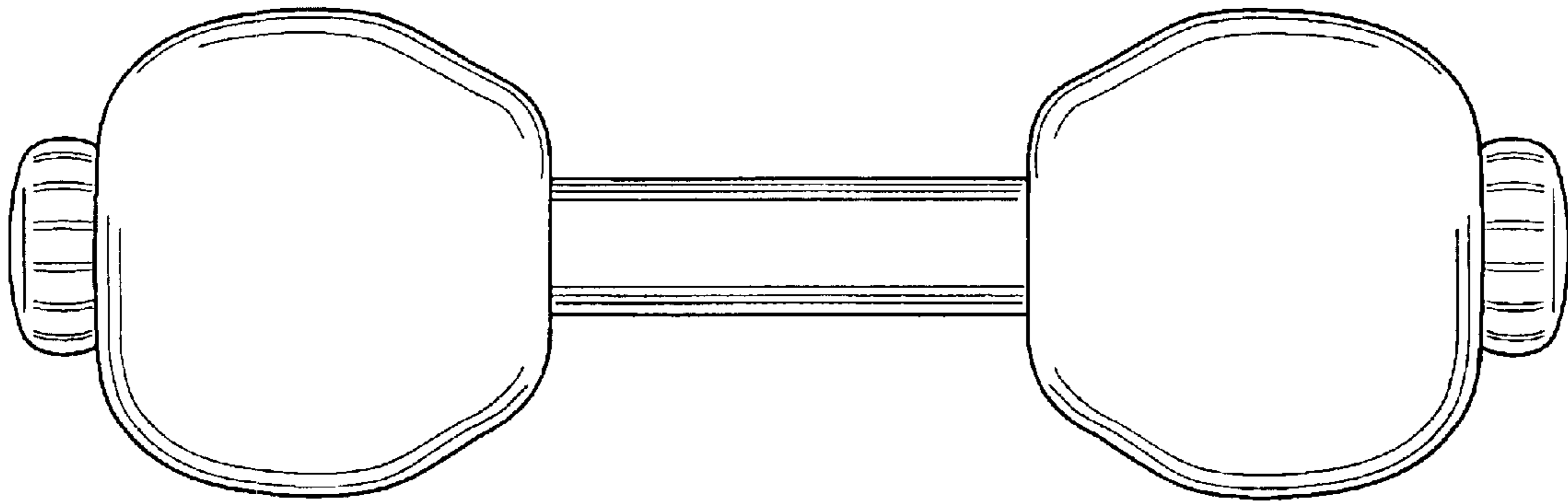


FIG. 4

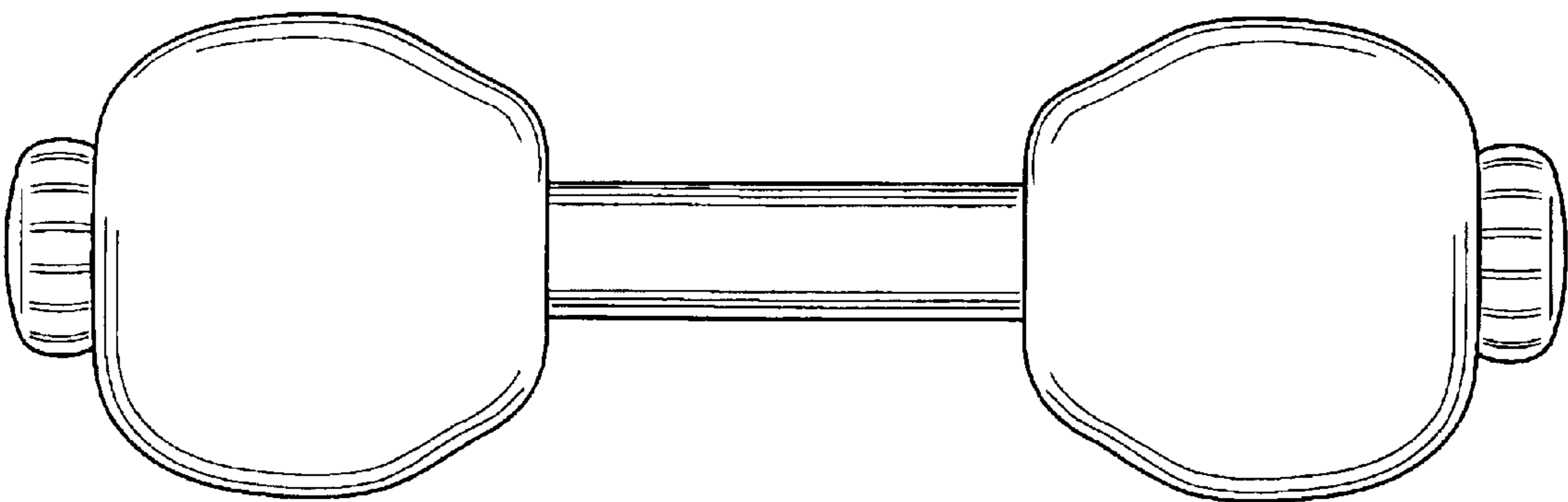


FIG. 5

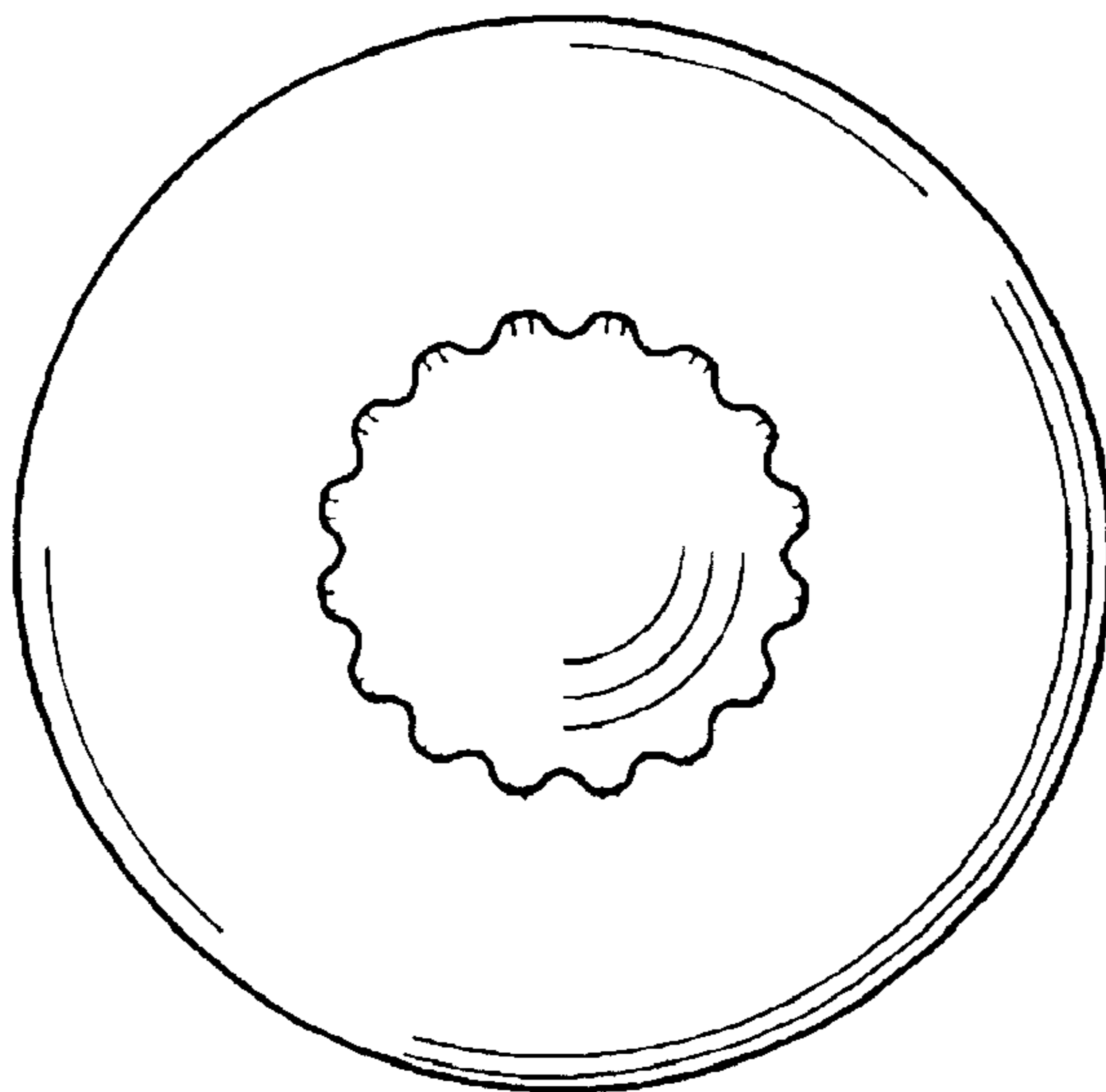


FIG. 6

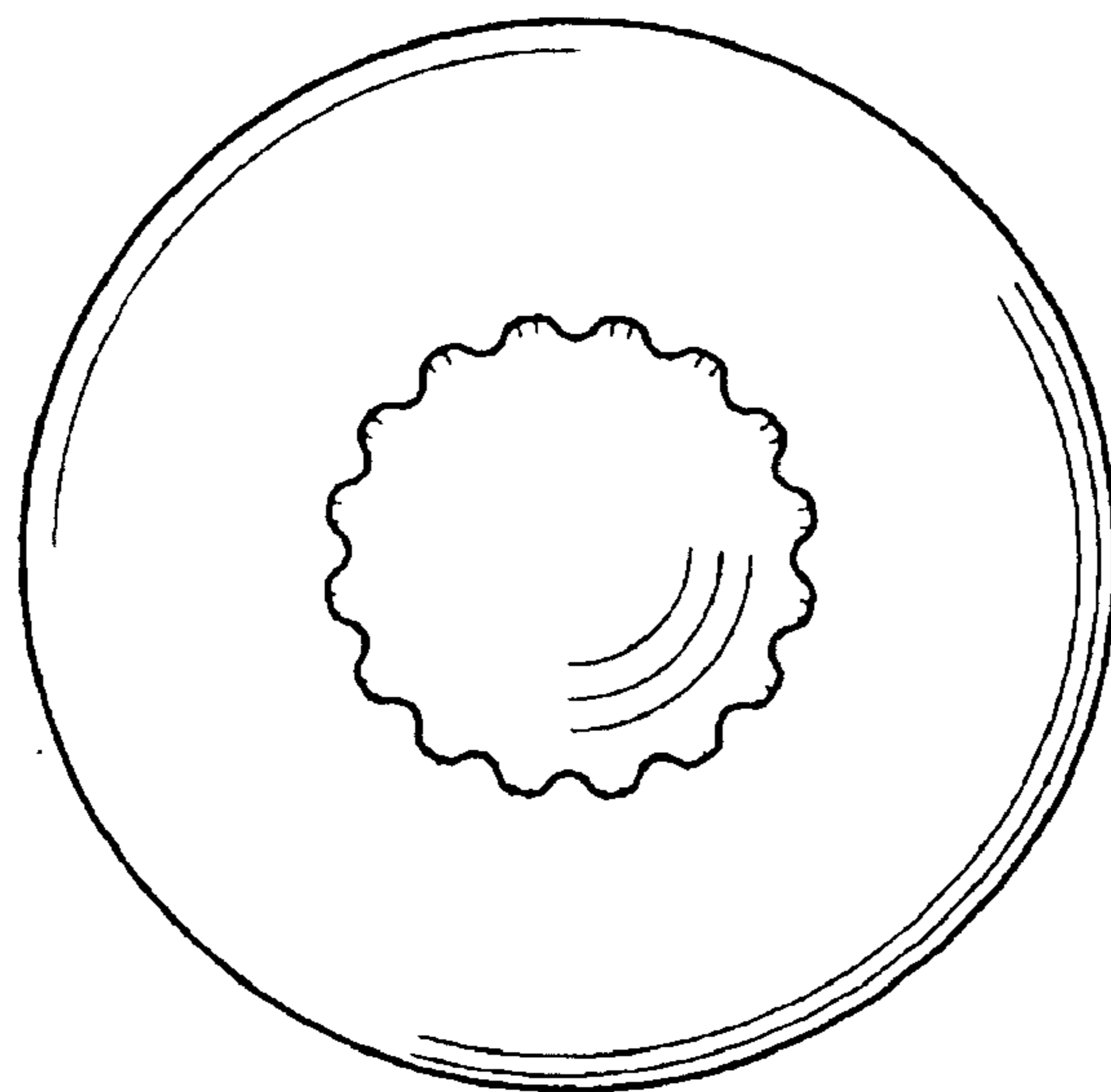


FIG. 7