



US00D538358S

(12) **United States Design Patent**  
**Glier**

(10) **Patent No.:** **US D538,358 S**

(45) **Date of Patent:** **\*\* Mar. 13, 2007**

(54) **EXERCISE VIBRATION PLATE MACHINE**

(75) Inventor: **Bernd Glier**, Berlin (DE)

(73) Assignee: **Uniphy Elektromedizin GmbH & Co. KG**, Hennigsdorf (DE)

(\*\*) Term: **14 Years**

(21) Appl. No.: **29/232,438**

(22) Filed: **Jun. 17, 2005**

(30) **Foreign Application Priority Data**

Dec. 17, 2004 (DE) ..... 404 07 195

(51) **LOC (8) Cl.** ..... **21-02**

(52) **U.S. Cl.** ..... **D21/662; D21/686**

(58) **Field of Classification Search** ..... D21/662,  
D21/672, 686, 688-689; D24/213, 215; 482/51-52,  
482/71, 77, 79, 91-92, 133, 140-148  
See application file for complete search history.

(56) **References Cited**

**U.S. PATENT DOCUMENTS**

- D362,479 S \* 9/1995 Destasio, Jr. .... D21/688
- D380,508 S \* 7/1997 Chang ..... D21/688
- 5,921,899 A \* 7/1999 Rose ..... 482/112
- 6,176,817 B1 \* 1/2001 Carey et al. .... 482/146
- D460,506 S \* 7/2002 Tamminga et al. .... D21/686
- 6,620,117 B1 \* 9/2003 Johnson et al. .... 601/90
- D480,439 S \* 10/2003 Verheem et al. .... D21/686
- D489,423 S \* 5/2004 Fan et al. .... D21/688
- D494,645 S \* 8/2004 Otomi et al. .... D21/662
- D495,015 S \* 8/2004 Tudico ..... D21/688
- D500,100 S \* 12/2004 van der Meer ..... D21/662
- 6,843,776 B2 \* 1/2005 Trandafir et al. .... 601/1
- 6,884,227 B2 \* 4/2005 Krompasick ..... 601/90

- 6,923,773 B2 \* 8/2005 Leivseth et al. .... 601/27
- 2004/0068211 A1 \* 4/2004 Leivseth et al. .... 601/49
- 2004/0092849 A1 \* 5/2004 Talish ..... 601/90

**OTHER PUBLICATIONS**

Nemes Bosco –System. Downloaded Mar. 15, 2006 at <http://www.bosco-system.com/>.\*

Bosco-System Vibration Training. Downloaded Mar. 15, 2006 at [http://www.bosco-system.com/wst\\_page2.html](http://www.bosco-system.com/wst_page2.html).\*

Vibraflex. Downloaded Mar. 15, 2006 at <http://www.vibraflex.com/training/bodyeffects.php>.\*

\* cited by examiner

*Primary Examiner*—Philip S. Hyder

*Assistant Examiner*—RoseLynne (Ulm) Cody

(74) *Attorney, Agent, or Firm*—The Webb Law Firm

(57) **CLAIM**

The ornamental design for exercise vibration plate machine, as shown and described.

**DESCRIPTION**

FIG. 1 is a front elevation view of the exercise vibration plate machine;

FIG. 2 is a top elevation view thereof;

FIG. 3 is a left perspective view thereof, the opposite side being identical;

FIG. 4 is a right elevation view thereof, the opposite side being identical;

FIG. 5 is a left upper perspective view thereof, the right side perspective view thereof being the same; and,

FIG. 6 is an enlarged upper perspective view of the handle and display areas thereof.

The dash lines are for illustrative purposes only and form no part of the claimed design.

**1 Claim, 6 Drawing Sheets**

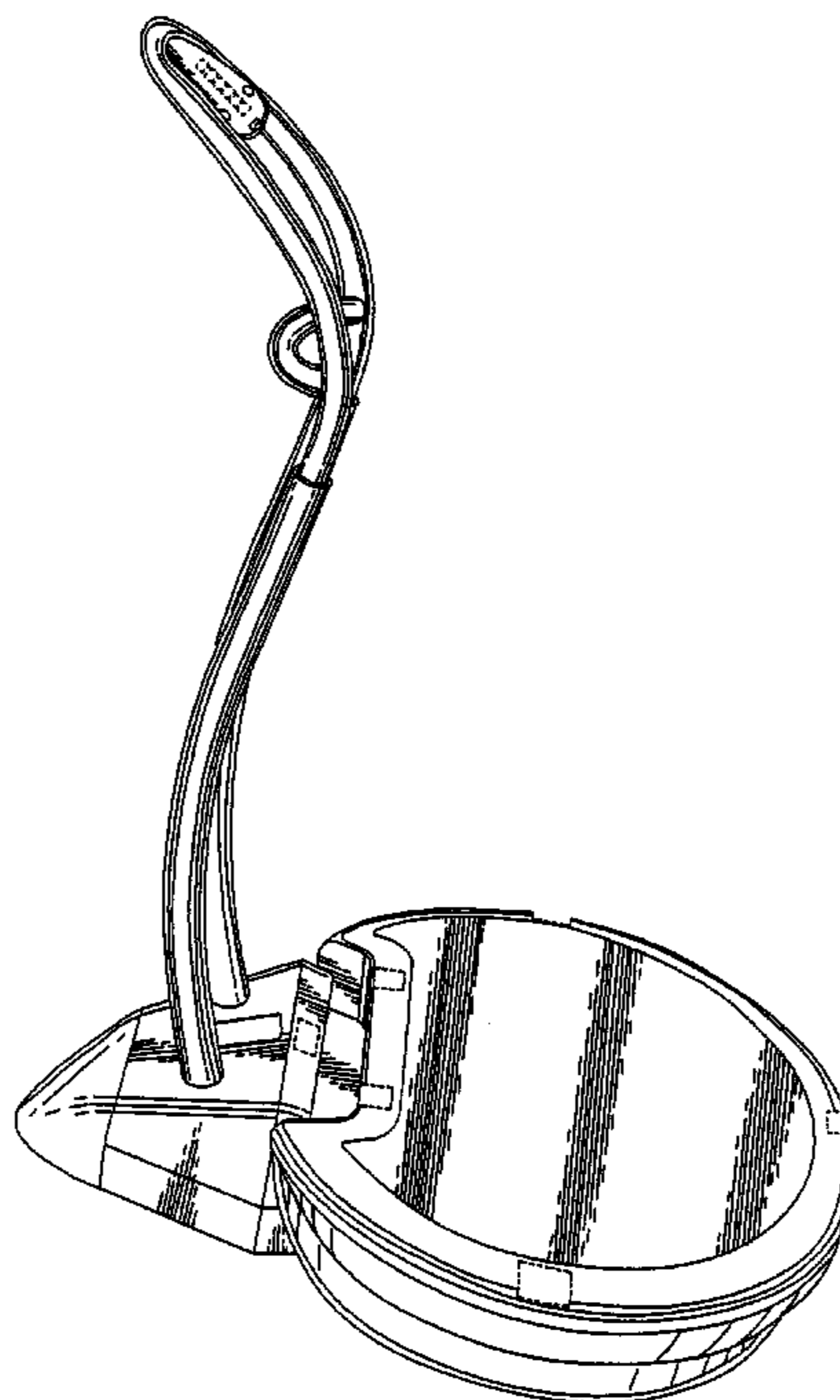


FIG. 1

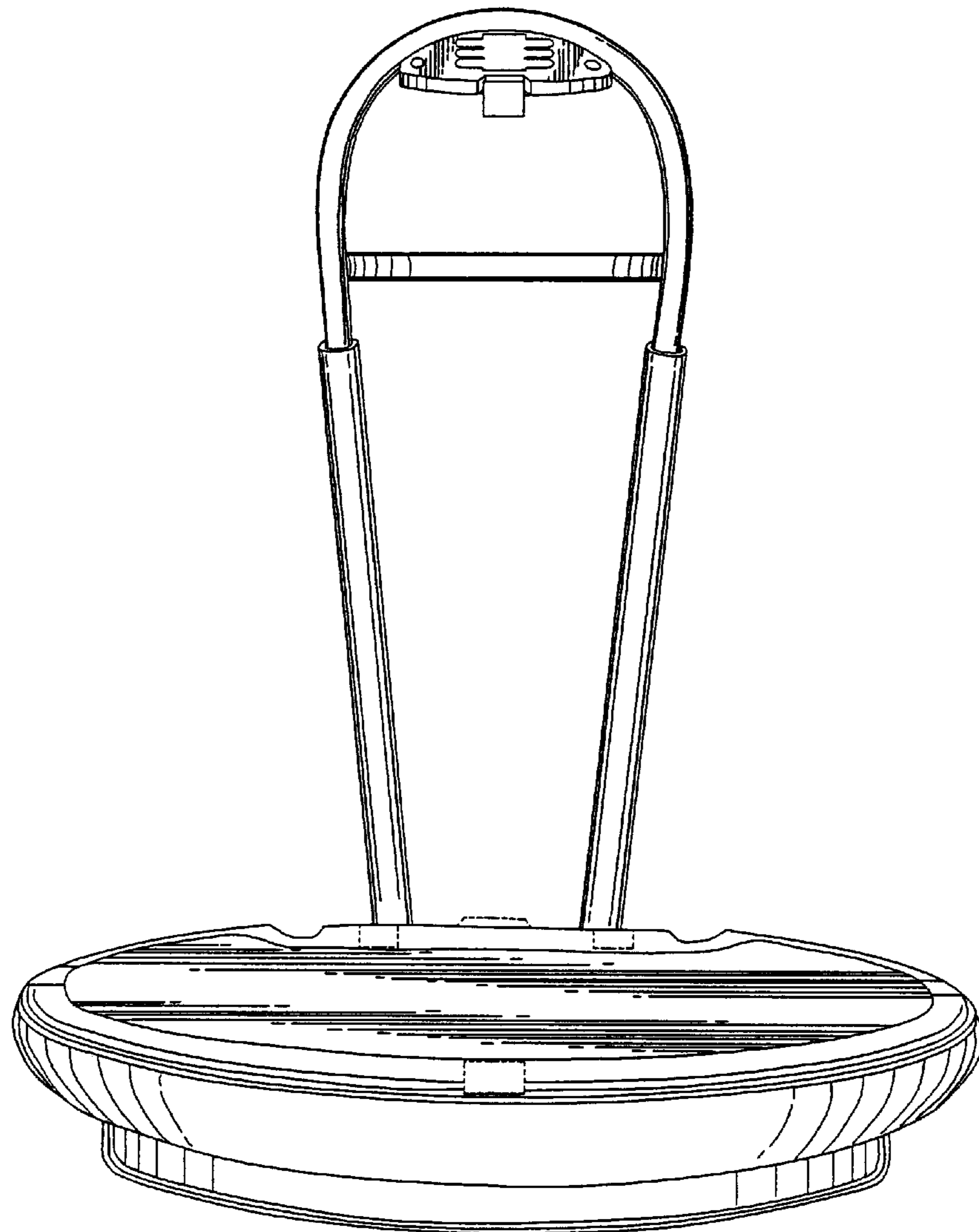


FIG. 2

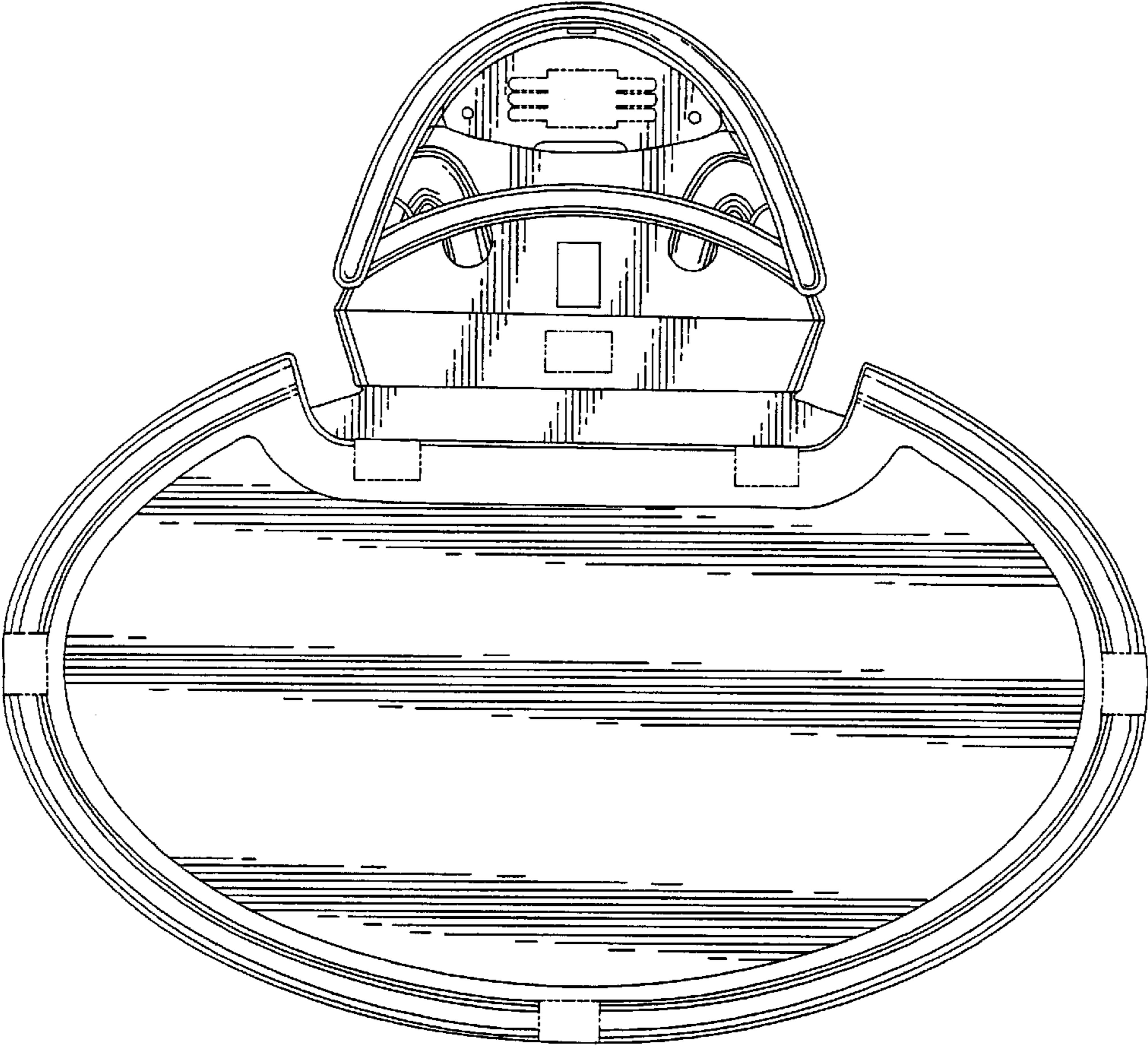


FIG. 3

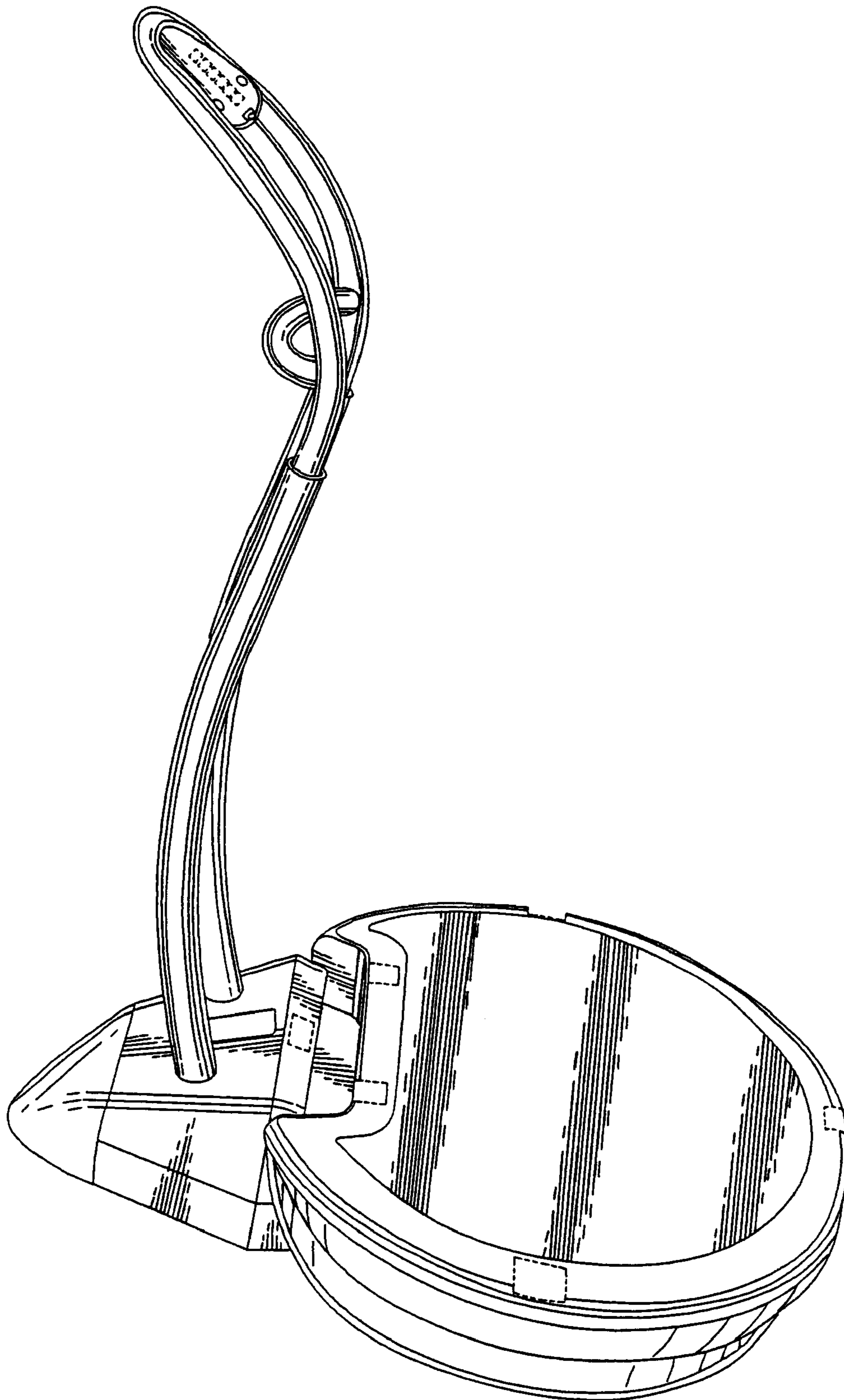
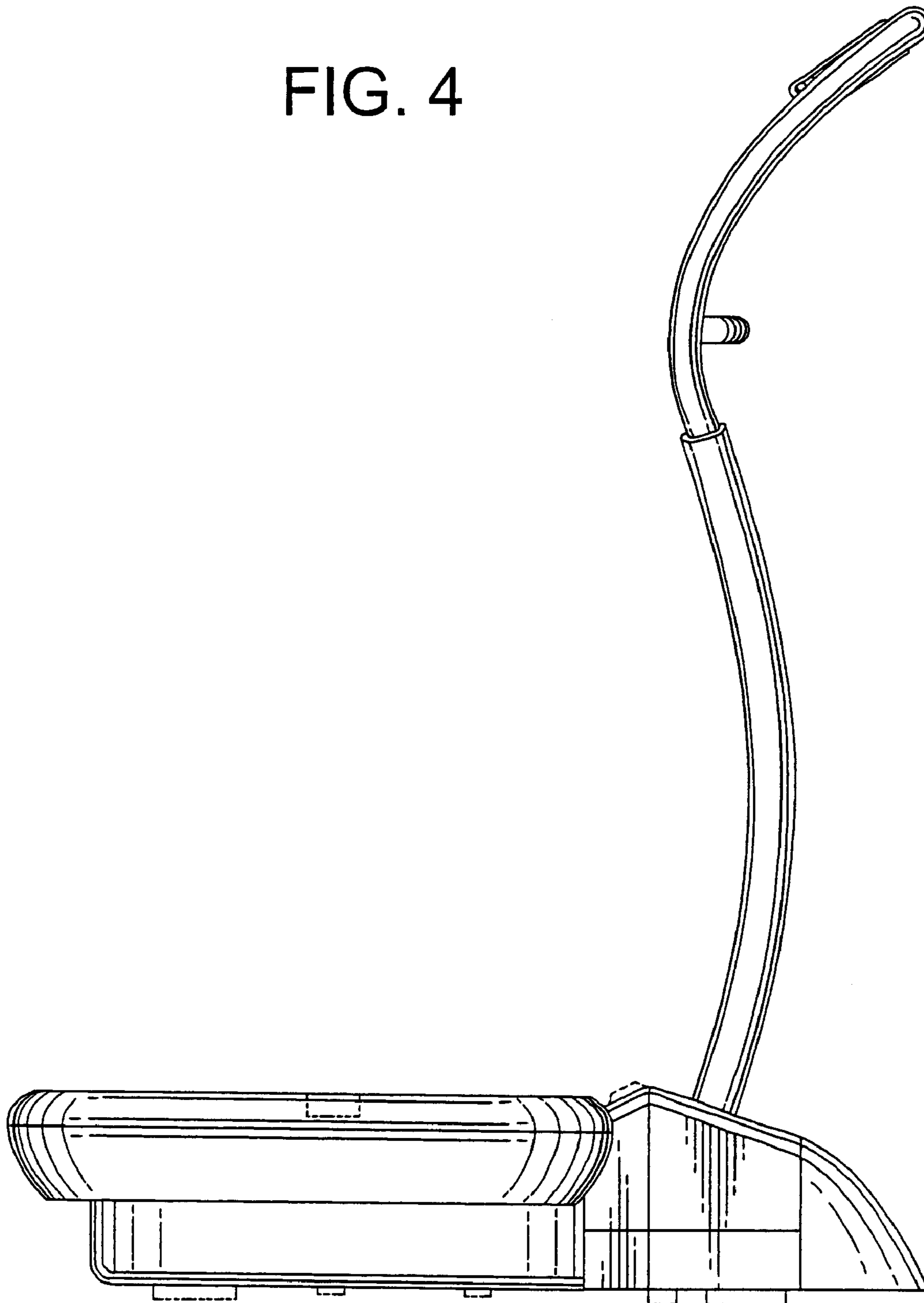




FIG. 4



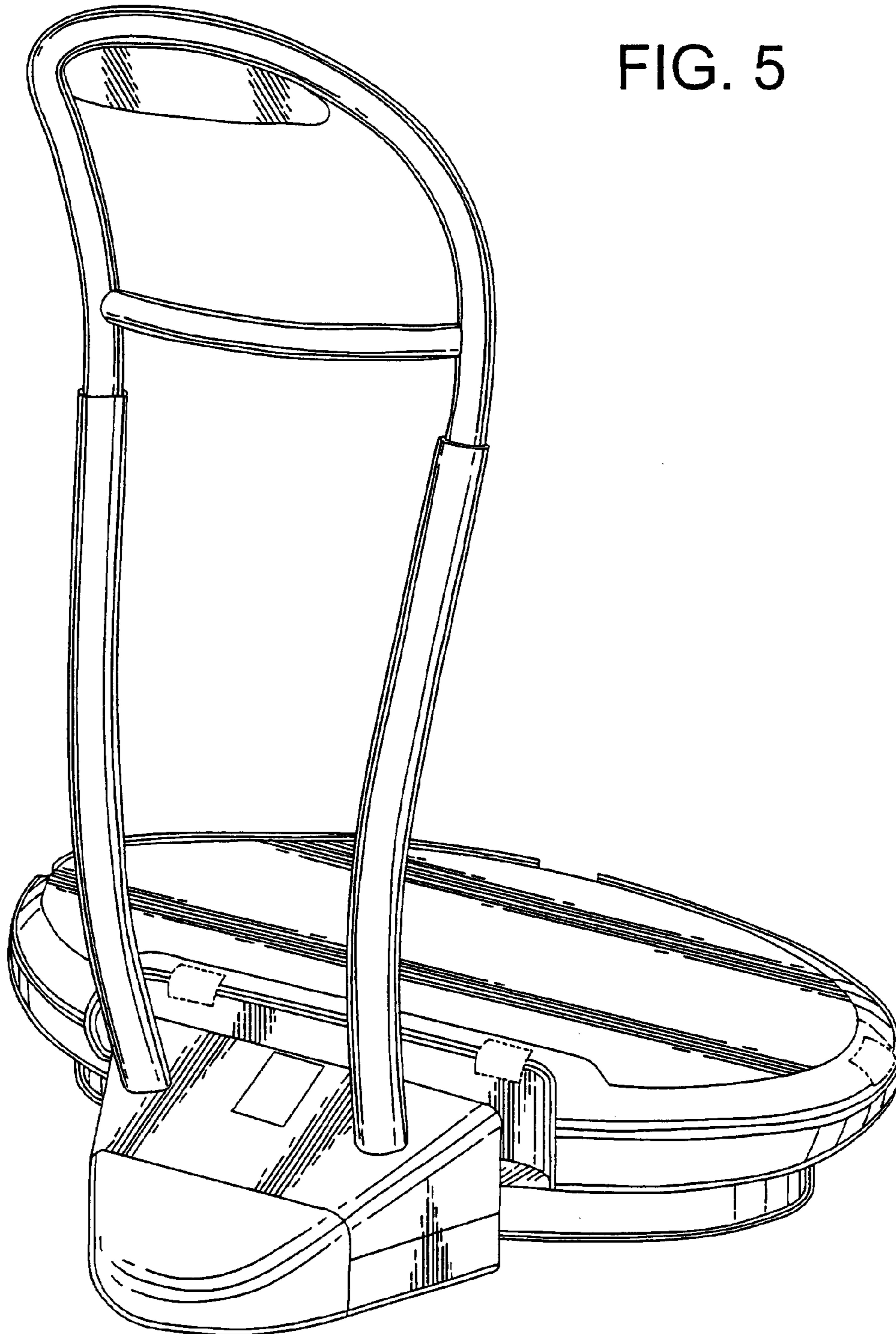


FIG. 5

FIG. 6

