



US00D538357S

(12) **United States Design Patent**  
**Salmon**

(10) **Patent No.:** **US D538,357 S**

(45) **Date of Patent:** **\*\* Mar. 13, 2007**

(54) **END CAPS FOR A TRIANGLE-SHAPED TOY BLOCK**

D499,773 S \* 12/2004 May et al. .... D21/499

\* cited by examiner

(75) Inventor: **Robert W. Salmon**, Buffalo, NY (US)

*Primary Examiner*—Gary D. Watson

*Assistant Examiner*—RoseLynne (Ulm) Cody

(73) Assignee: **Mattel, Inc.**, El Segundo, CA (US)

(74) *Attorney, Agent, or Firm*—Edell, Shapiro & Finnan, LLC

(\*\*) Term: **14 Years**

(57) **CLAIM**

(21) Appl. No.: **29/216,556**

The ornamental design for end caps for a triangle-shaped toy block, as shown and described.

(22) Filed: **Nov. 5, 2004**

(51) **LOC (8) Cl.** ..... **21-01**

(52) **U.S. Cl.** ..... **D21/505**

(58) **Field of Classification Search** ..... D21/386,  
D21/388–389, 484, 486, 504–505; D25/112–113;  
D24/101–102; D28/4, 7–8, 8.1–8.2, 76, 78–79,  
D28/82; D9/423–426, 430–432, 434–435,  
D9/516, 521, 561; 446/85, 117

See application file for complete search history.

**DESCRIPTION**

FIG. 1 is a perspective view of a triangle-shaped toy block according to the present invention;

FIG. 2 is an enlarged front view of the toy block of FIG. 1;

FIG. 3 is an enlarged rear view of the toy block of FIG. 1;

FIG. 4 is an enlarged left side view of the toy block of FIG. 1;

FIG. 5 is an enlarged right side view of the toy block of FIG. 1;

FIG. 6 is an enlarged top view of the toy block of FIG. 1; and,

FIG. 7 is an enlarged bottom view of the toy block of FIG. 1.

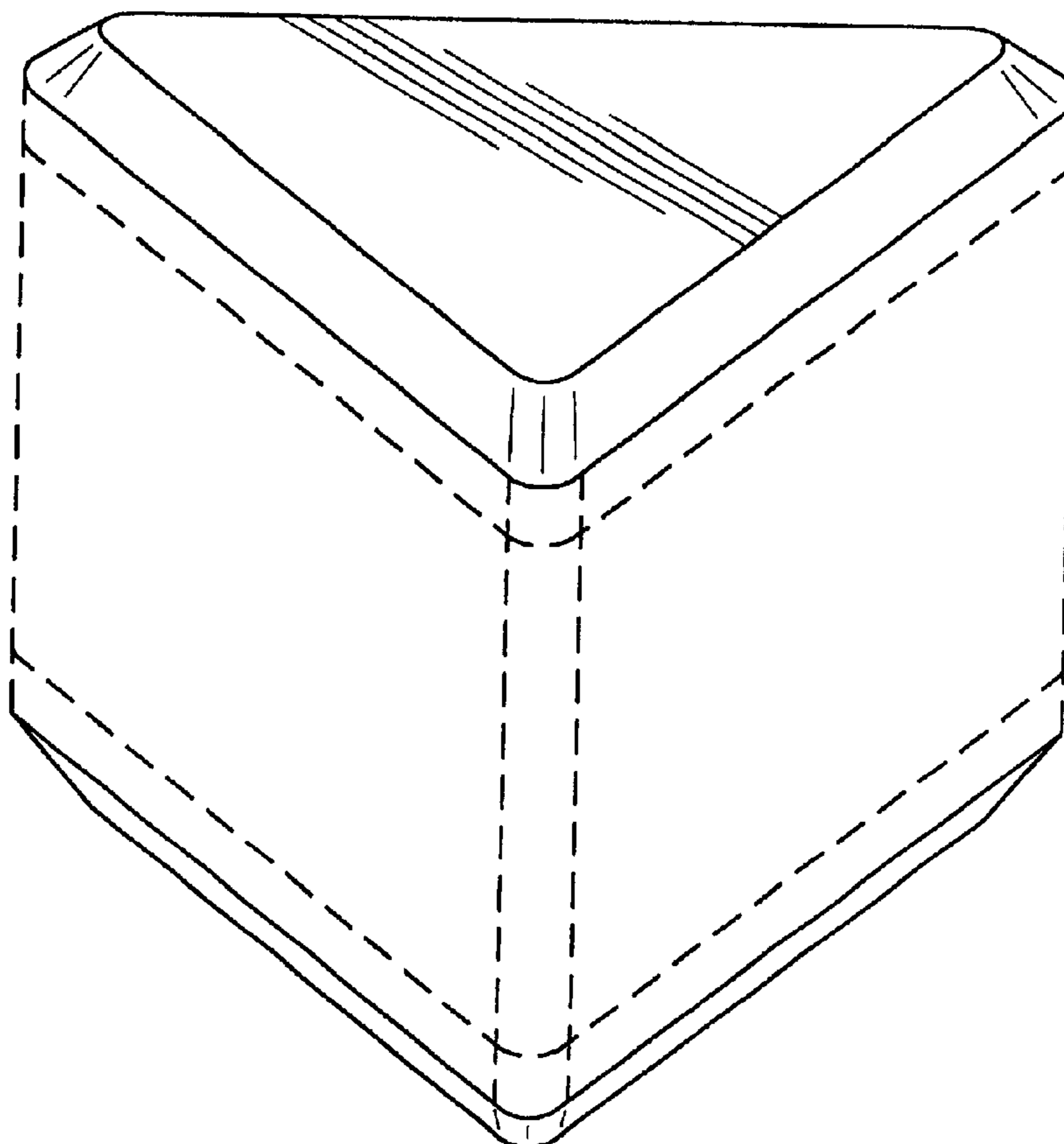
The broken lines in the figures form no part of the claimed design.

(56) **References Cited**

**U.S. PATENT DOCUMENTS**

- 2,309,579 A \* 1/1943 Duran ..... 249/119
- 3,456,446 A \* 7/1969 Kusatake ..... 405/29
- D249,723 S \* 9/1978 Cosman ..... D21/386
- D317,261 S \* 6/1991 Brown et al. .... D9/430
- D463,278 S \* 9/2002 Weinstein et al. .... D9/430
- D465,155 S \* 11/2002 Weinstein et al. .... D9/430

**1 Claim, 4 Drawing Sheets**



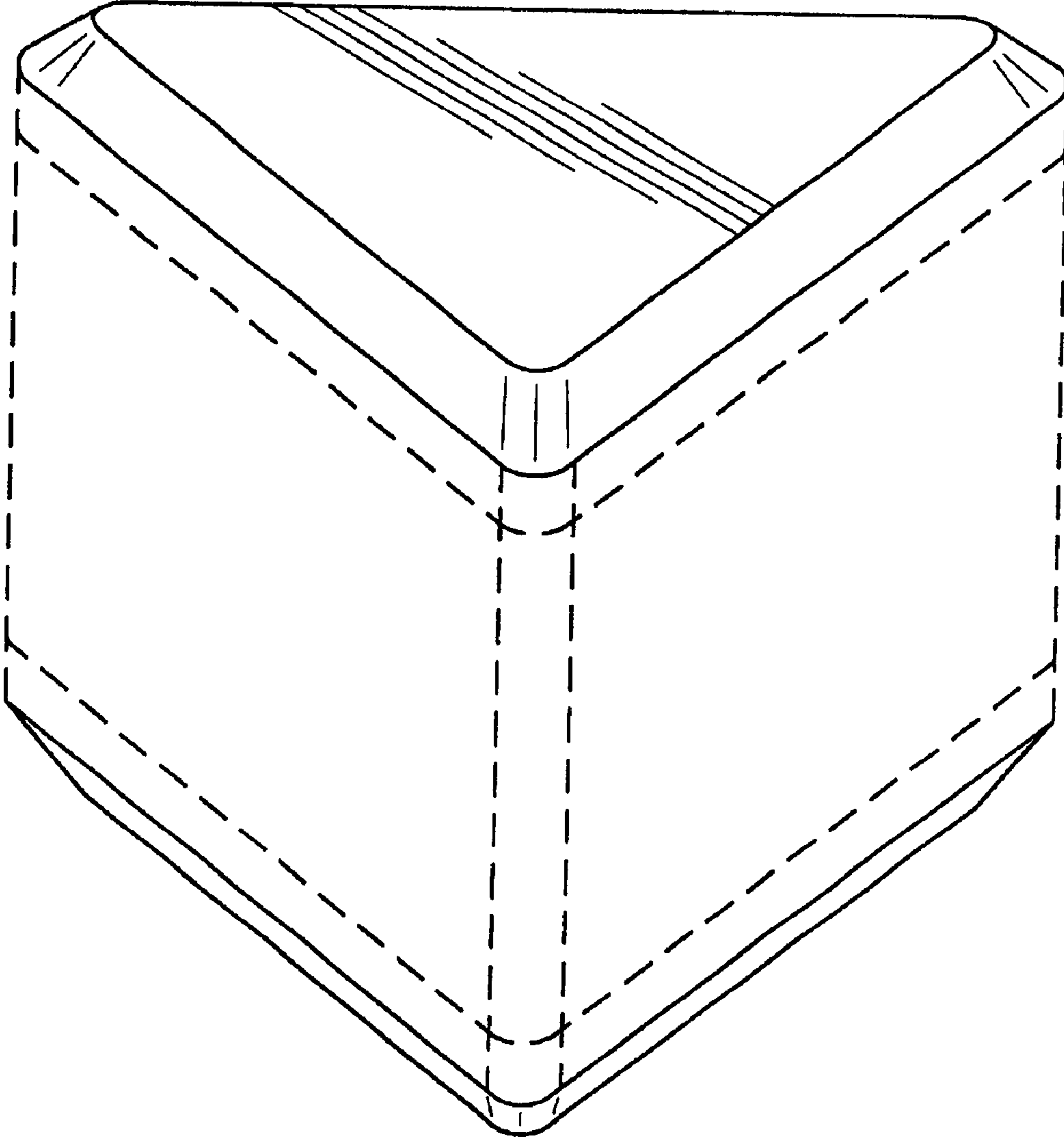


FIG.1

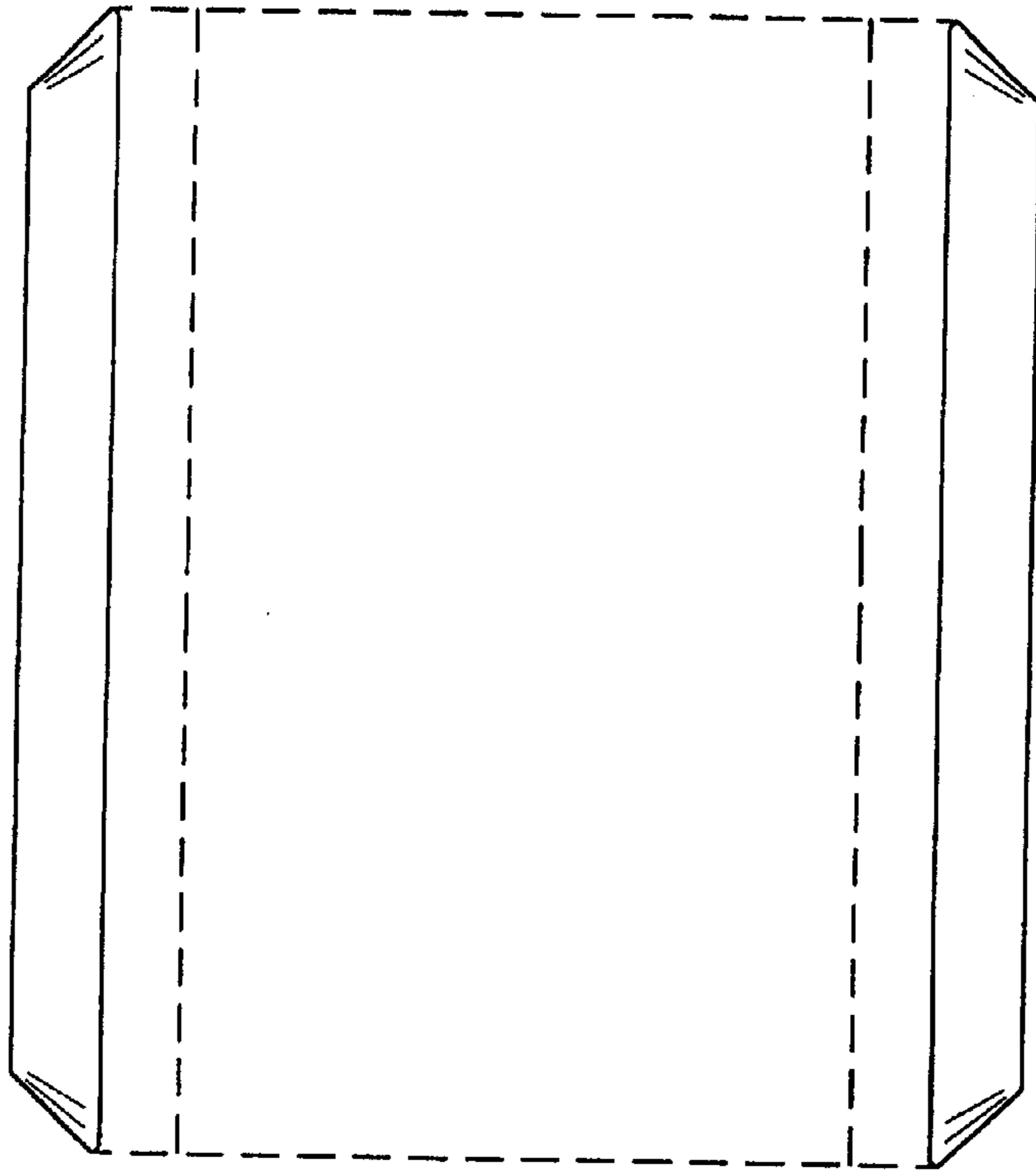


FIG.3

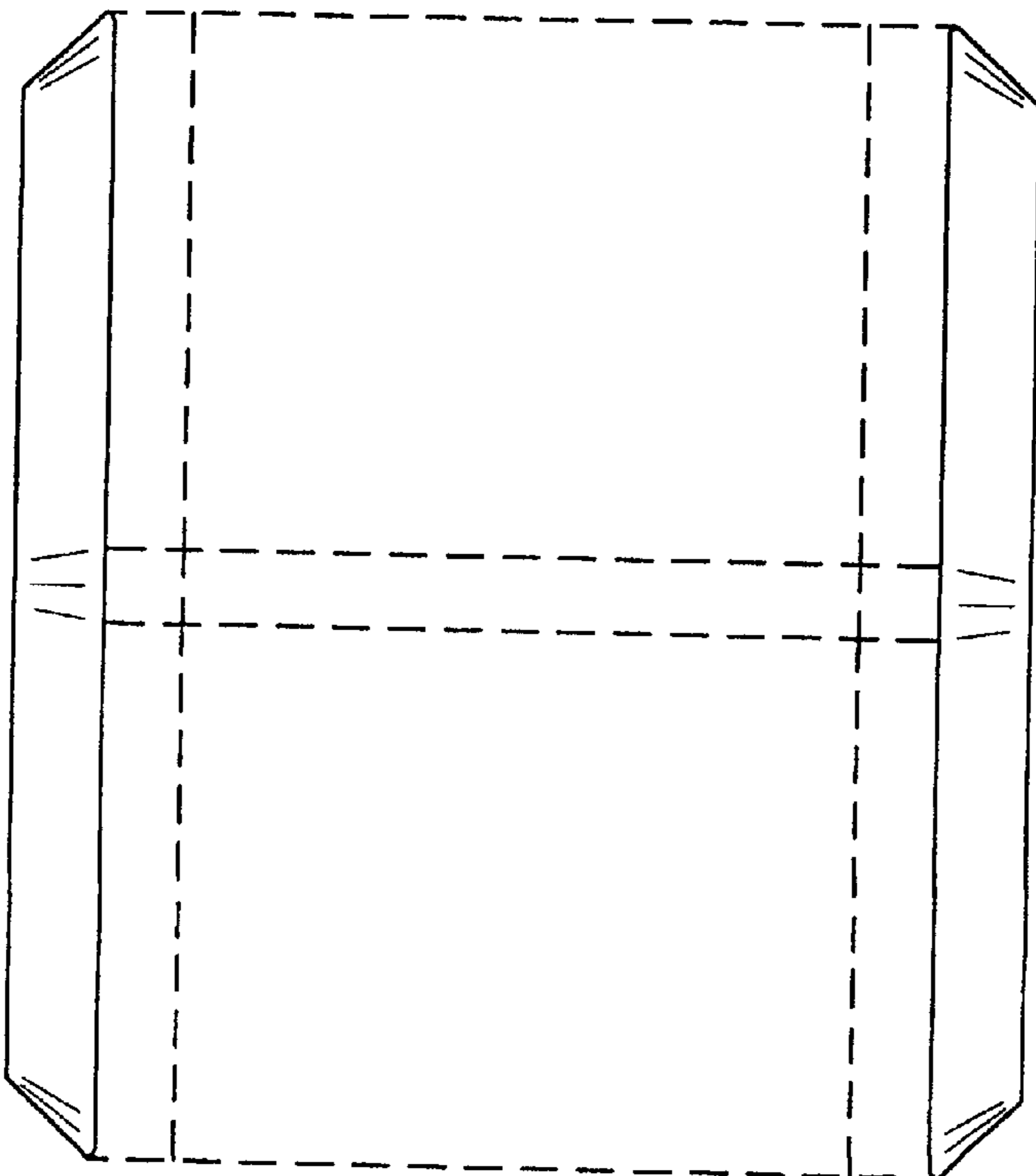


FIG.2

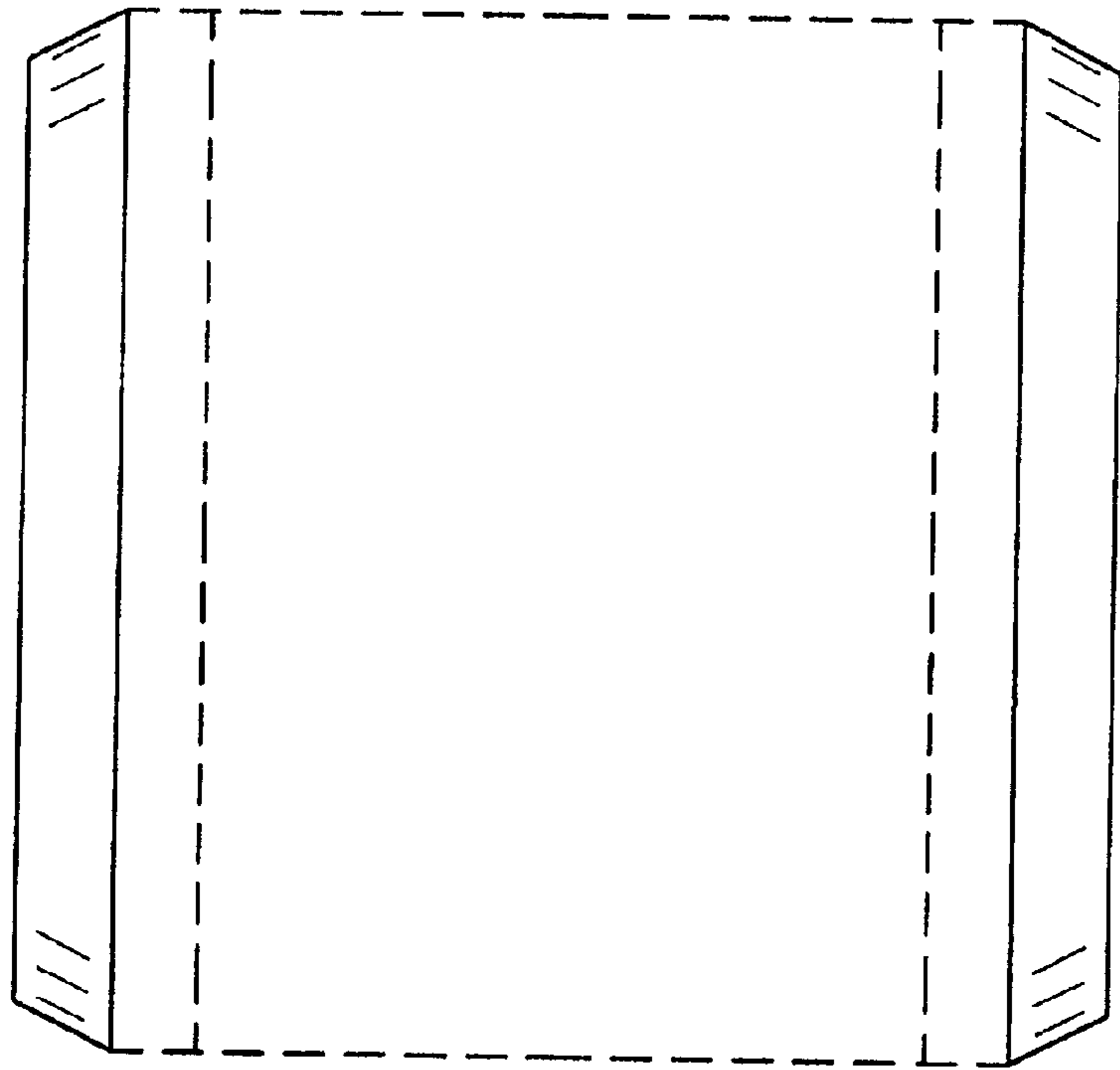


FIG.5

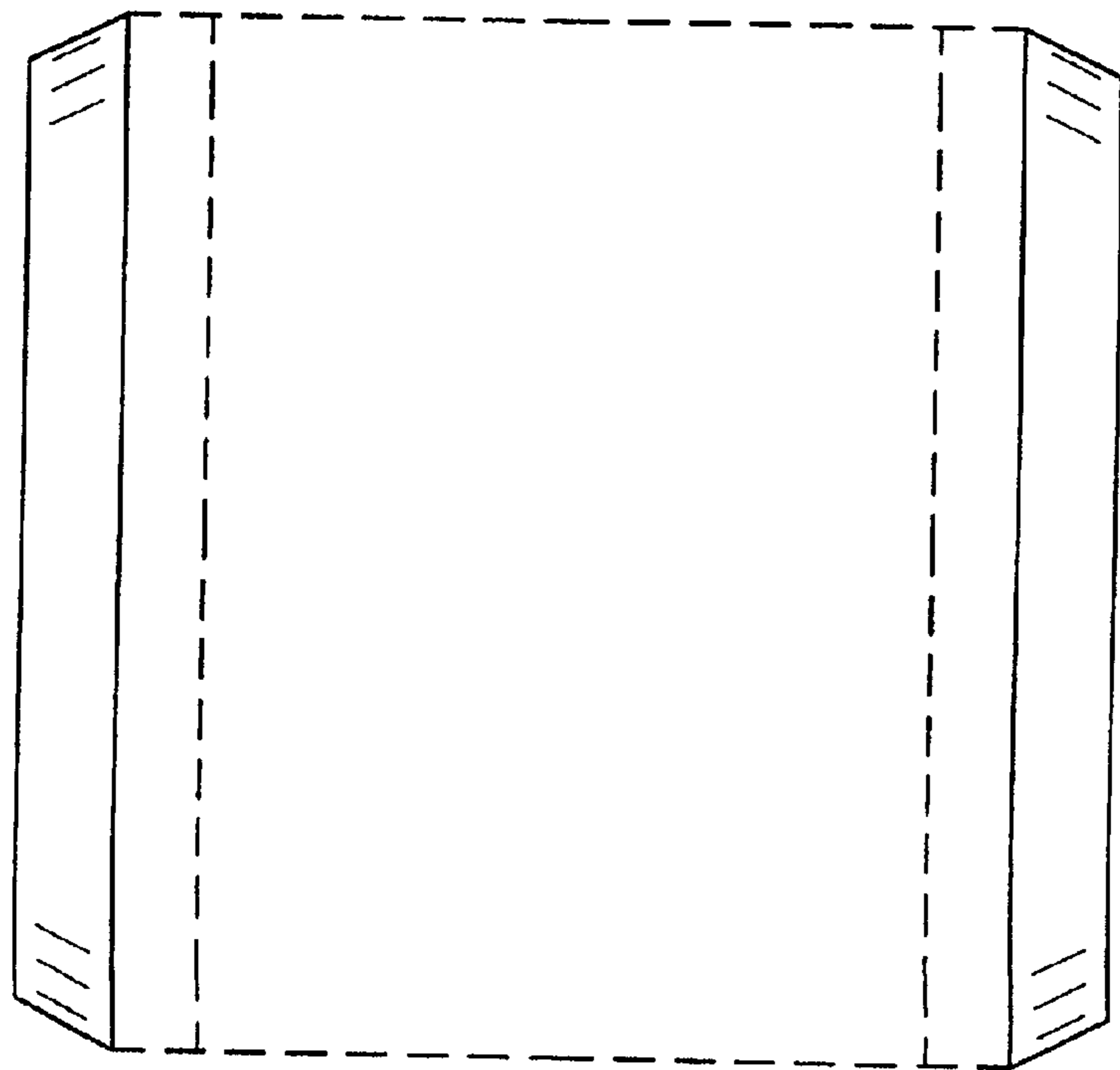


FIG.4

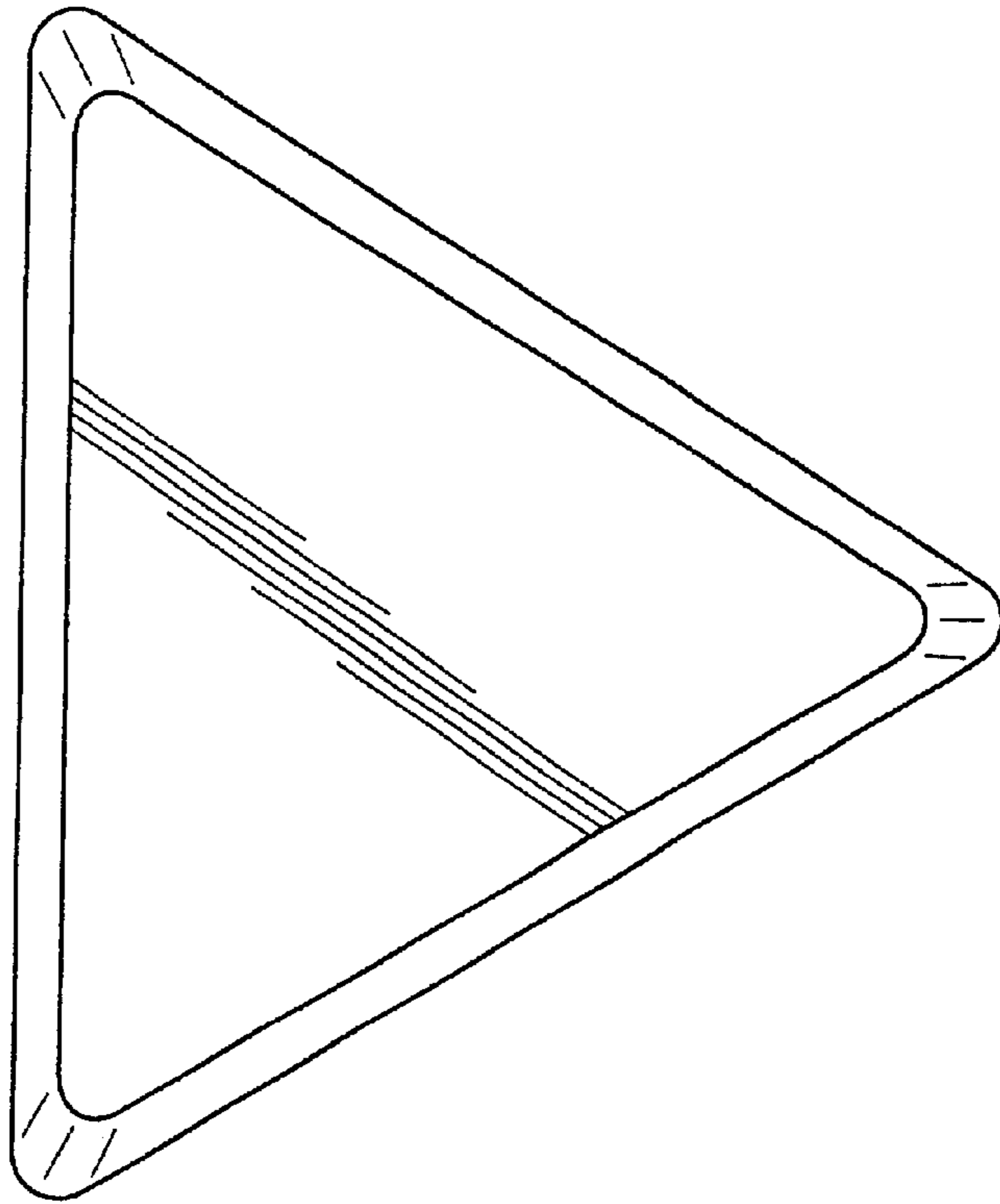


FIG.7

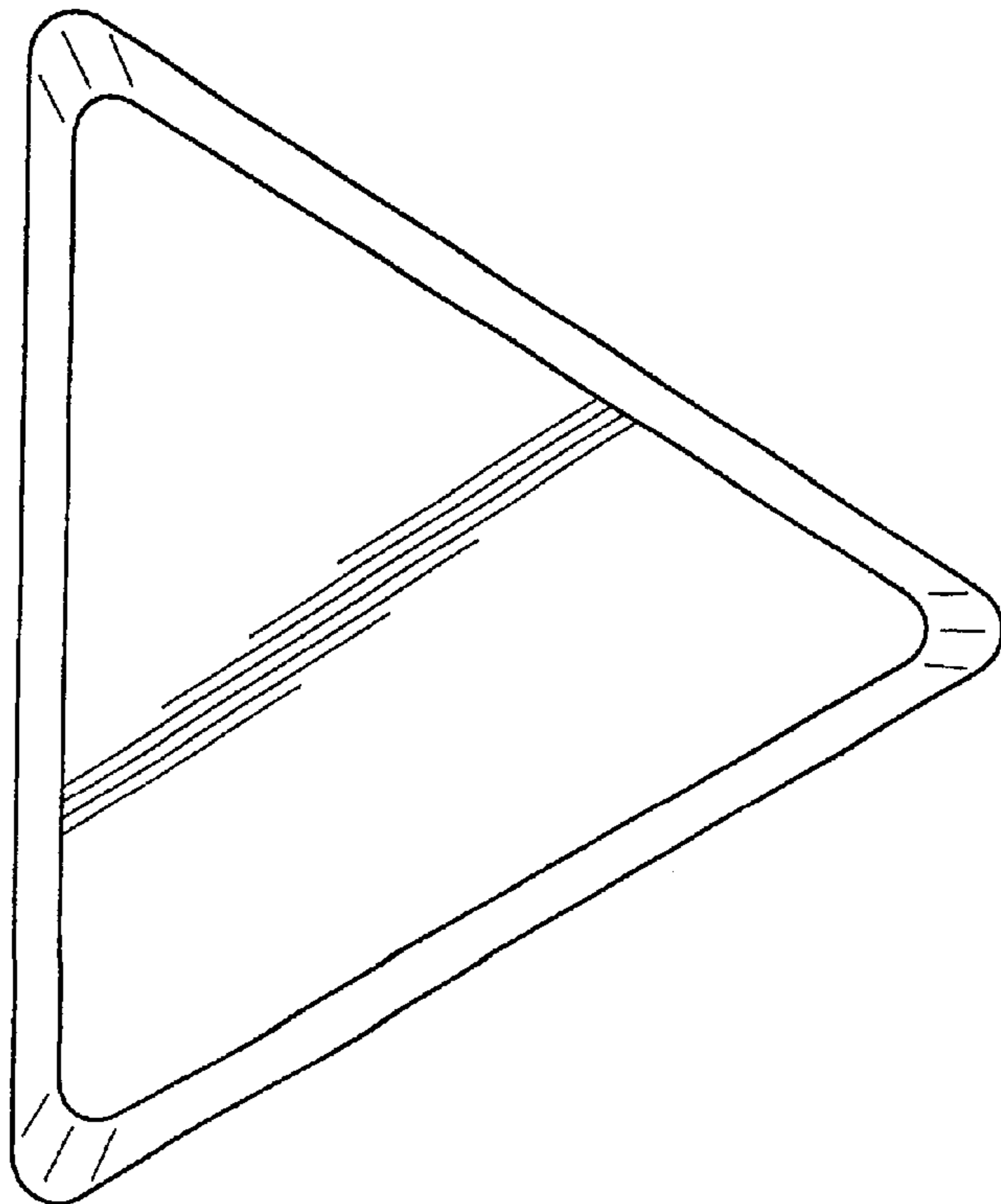


FIG.6