



US00D538356S

(12) **United States Design Patent**  
**Chen**

(10) **Patent No.:** **US D538,356 S**  
(45) **Date of Patent:** **\*\* Mar. 13, 2007**

(54) **SCOOTER FRAME**  
(75) Inventor: **Ting-Hsing Chen**, Tainan Hsien (TW)  
(73) Assignee: **Far Great Plastics Industrial Co., Ltd.**, Tainan-Hsien (TW)  
(\*\*) Term: **14 Years**

D457,574 S \* 5/2002 Chen ..... D21/423  
D459,762 S \* 7/2002 Chen ..... D21/423  
D474,511 S \* 5/2003 Chen ..... D21/423  
D475,755 S \* 6/2003 Chen ..... D21/423

(21) Appl. No.: **29/225,377**  
(22) Filed: **Mar. 16, 2005**  
(51) **LOC (8) Cl.** ..... **21-01**  
(52) **U.S. Cl.** ..... **D21/423**  
(58) **Field of Classification Search** ..... D21/423,  
D21/419-435, 533, 760, 765, 771, 583; D12/107,  
D12/110-112; 280/87.01, 87.021, 87.041,  
280/87.042, 278, 220, 87.05; 180/181, 216,  
180/219, 220  
See application file for complete search history.

**OTHER PUBLICATIONS**

Sensational Beginnings cat. holiday 2001 p. 51.\*  
\* cited by examiner

*Primary Examiner*—Raphael Barkai  
*Assistant Examiner*—Randall H. Gholson  
(74) *Attorney, Agent, or Firm*—Rosenberg, Klein & Lee

(57) **CLAIM**

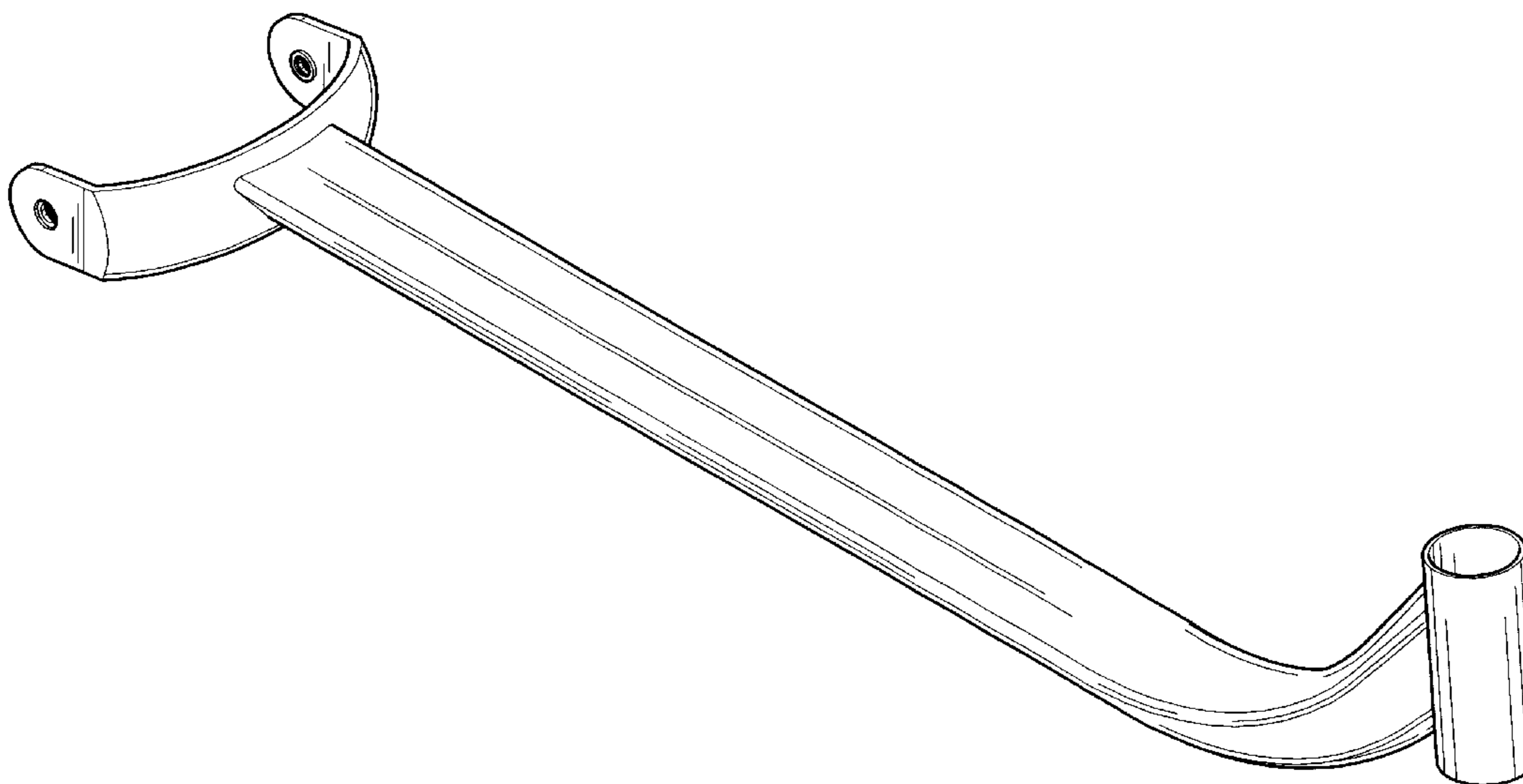
I claim, the ornamental design for a scooter frame, as shown and described.

**DESCRIPTION**

FIG. 1 is a perspective view of a scooter frame showing my present design;  
FIG. 2 is a front view thereof;  
FIG. 3 is a rear view thereof;  
FIG. 4 is a left view thereof;  
FIG. 5 is a right view thereof;  
FIG. 6 is a top plan view thereof; and,  
FIG. 7 is a bottom plan view.

(56) **References Cited**  
U.S. PATENT DOCUMENTS  
D420,942 S \* 2/2000 Chen ..... D12/111  
D427,111 S \* 6/2000 Chen ..... D12/111  
D437,363 S \* 2/2001 Chen ..... D21/423  
D437,621 S \* 2/2001 Chen ..... D21/423  
D452,885 S \* 1/2002 Chen ..... D21/423

**1 Claim, 5 Drawing Sheets**



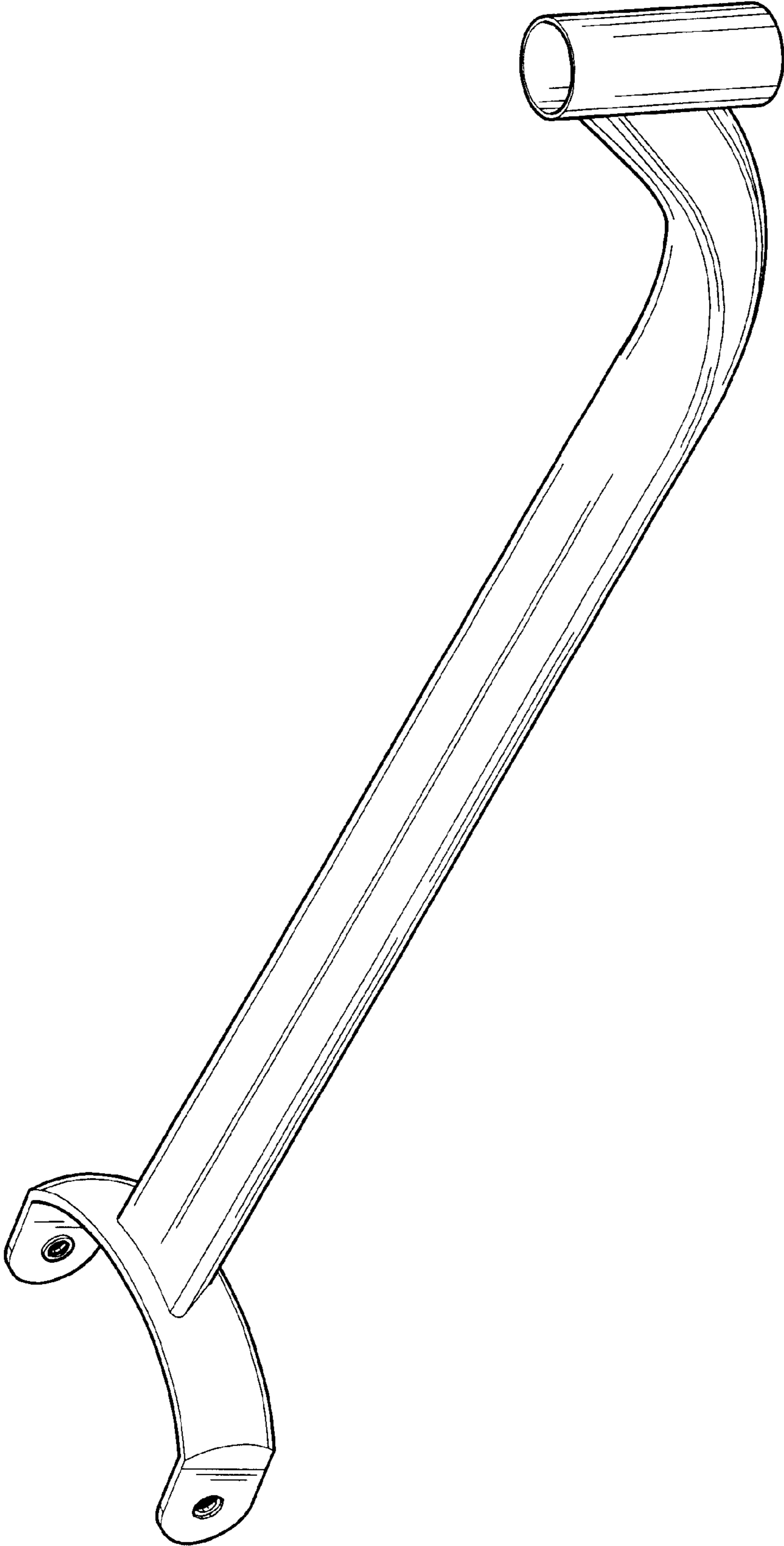


FIG. 1

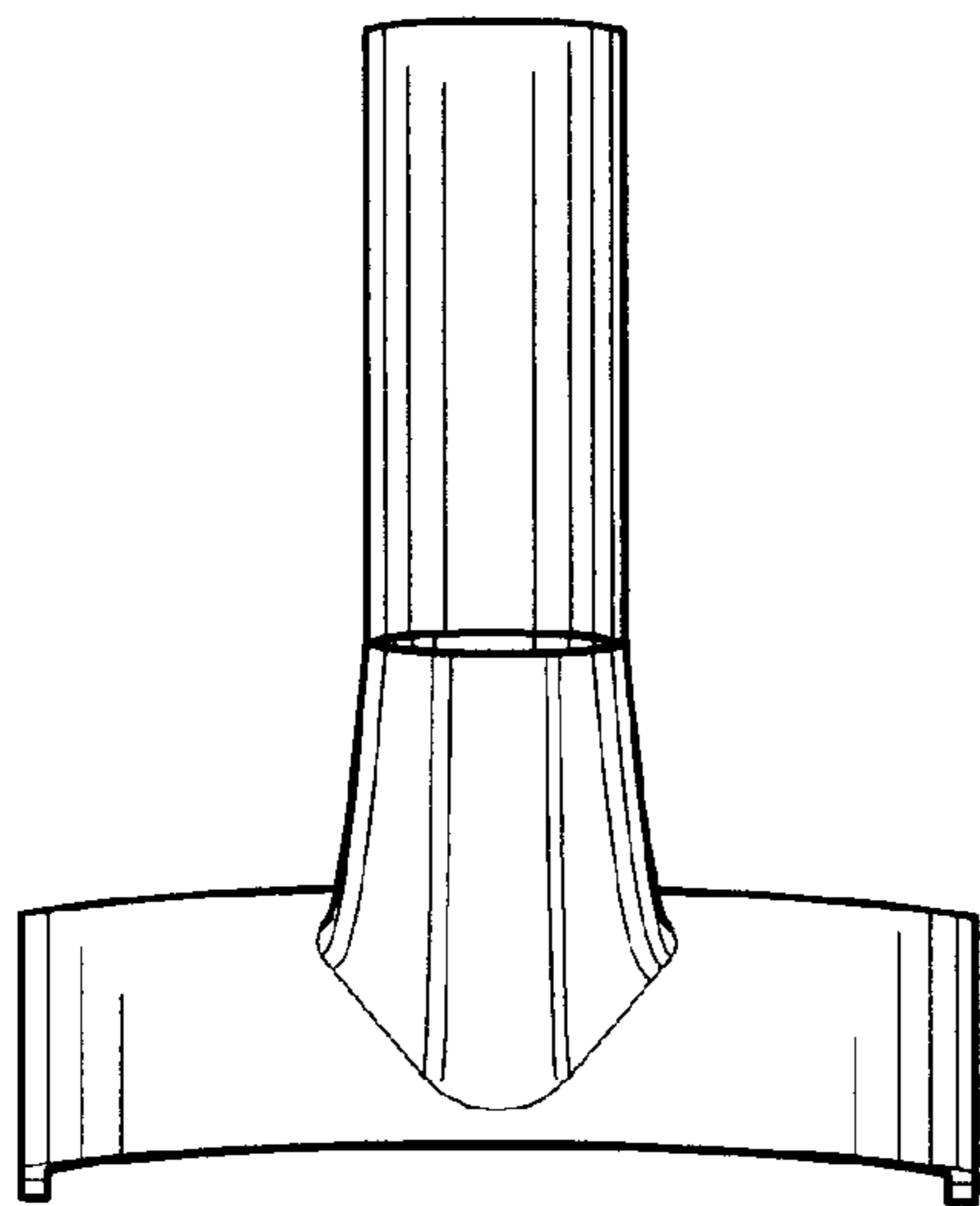


FIG. 2

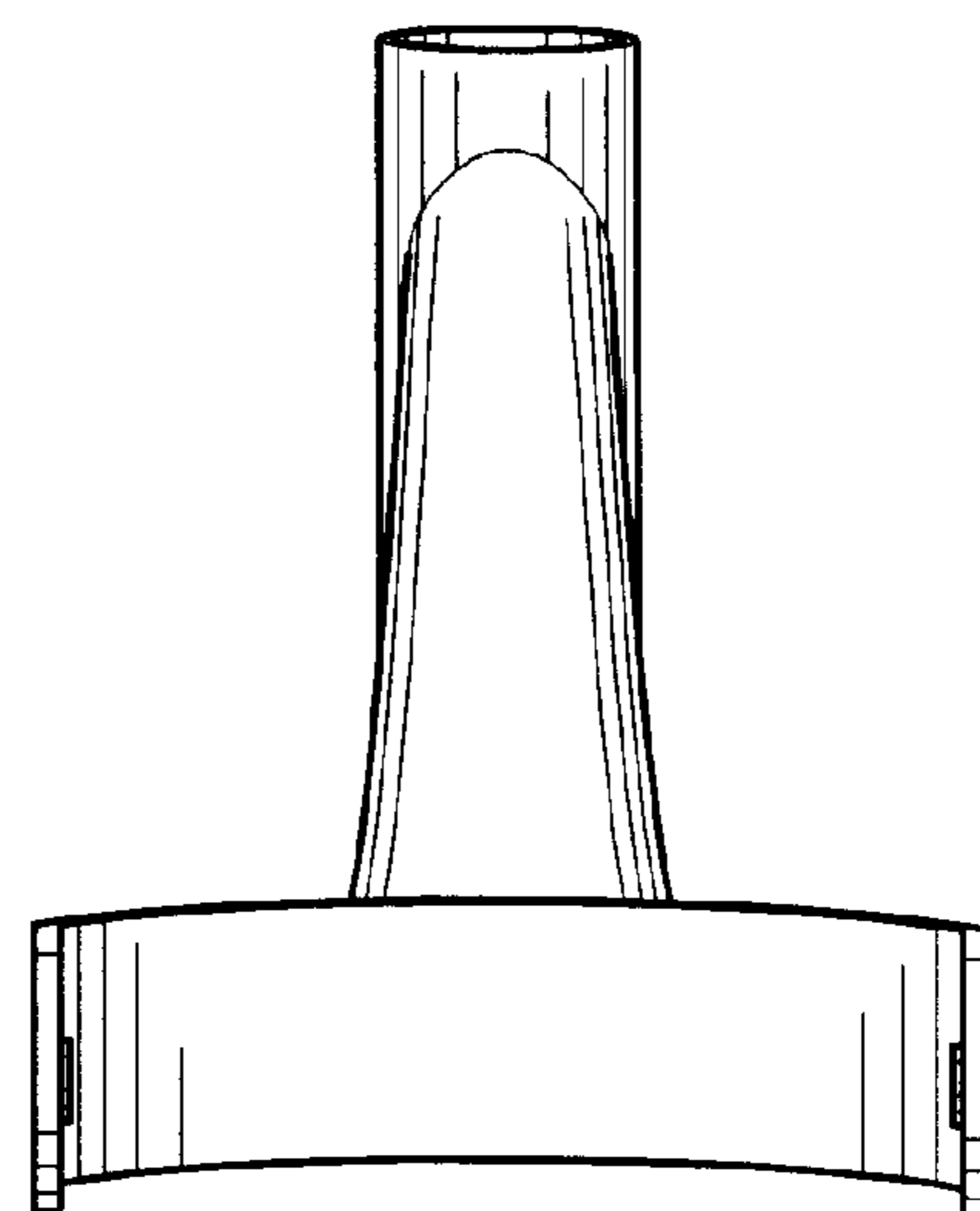


FIG. 3

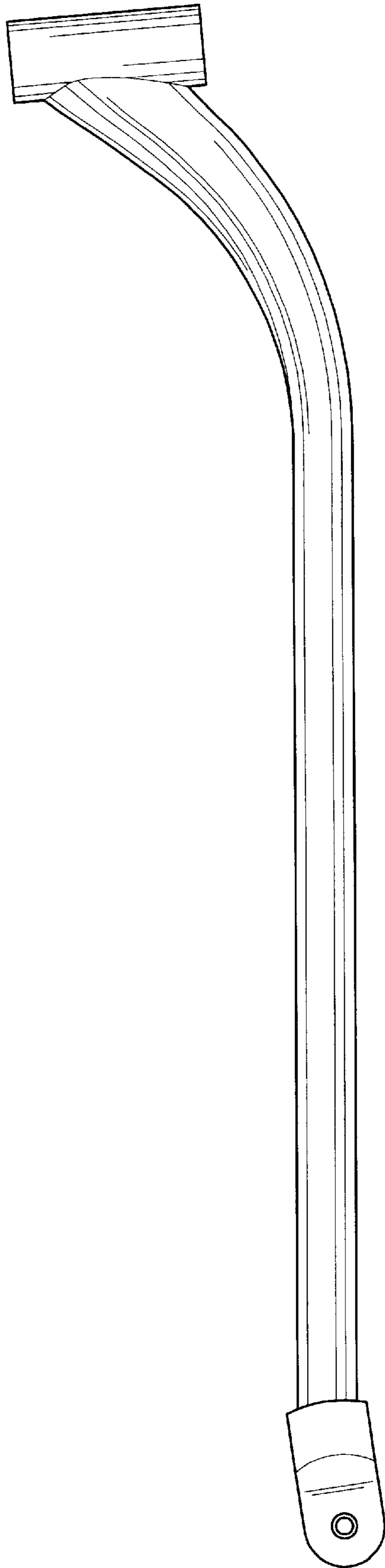


FIG. 4

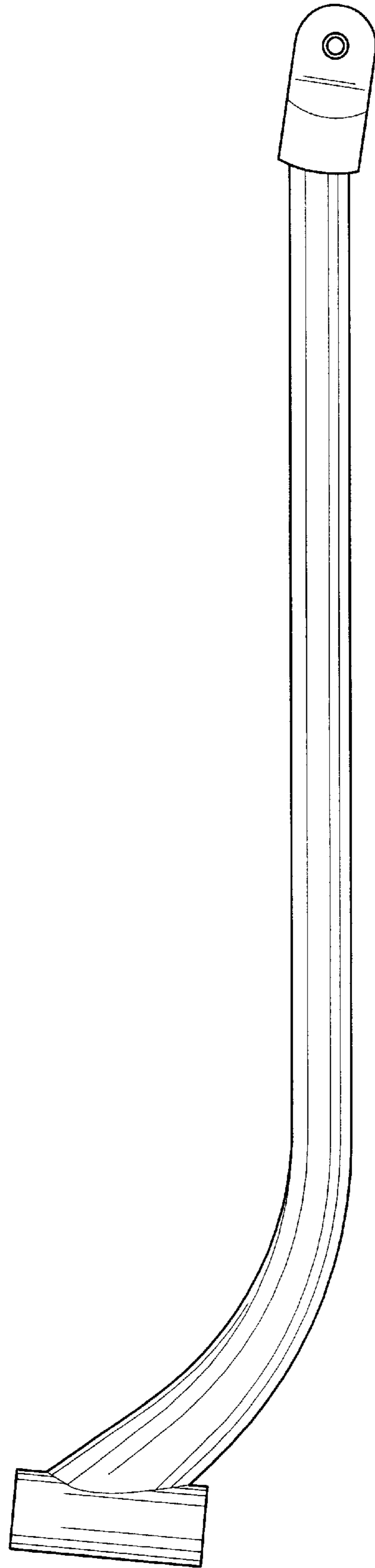


FIG. 5

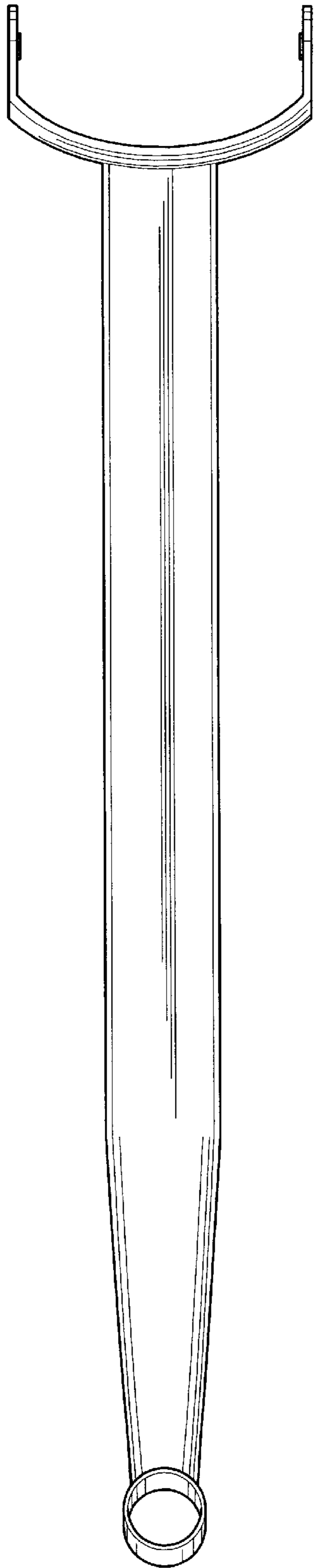


FIG. 6

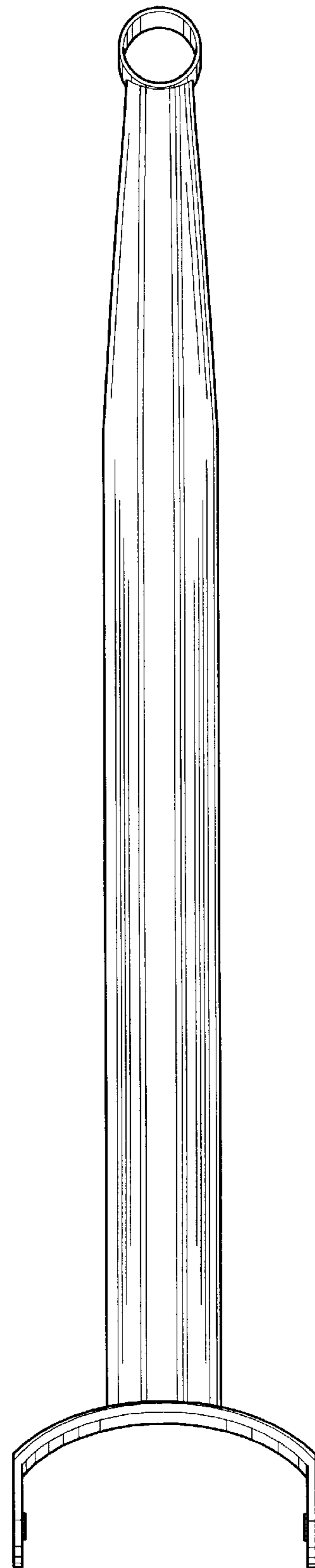


FIG. 7