



US00D538353S

(12) **United States Design Patent**  
**Spennare**

(10) **Patent No.:** **US D538,353 S**

(45) **Date of Patent:** **\*\* Mar. 13, 2007**

(54) **DISPLAY SYSTEM**

(75) Inventor: **Johan Spennare**, Saltsjobaden (SE)

(73) Assignee: **Accenta Display Corporation**,  
Mississauga (CA)

(\*\*) Term: **14 Years**

(21) Appl. No.: **29/229,790**

(22) Filed: **May 12, 2005**

(51) **LOC (8) Cl.** ..... **20-03**

(52) **U.S. Cl.** ..... **D20/43; D20/41**

(58) **Field of Classification Search** ..... D20/10,  
D20/11, 34, 40, 41, 42, 43, 44, 99; D6/315,  
D6/320, 328; D8/363, 367, 380, 394; 40/322,  
40/617, 642.01, 642.02, 661.08, 672, 771,  
40/788; 223/85, 87, 91, 97, 98; 248/125.2,  
248/170, 171; 160/24

See application file for complete search history.

(56) **References Cited**

**U.S. PATENT DOCUMENTS**

1,359,492 A \* 11/1920 Demuth ..... 248/469

D214,965 S \* 8/1969 Schlein ..... D10/121  
3,553,871 A \* 1/1971 Benchley, Jr. .... 40/607.1  
6,643,966 B2 \* 11/2003 Schmitt ..... 40/610  
D486,671 S \* 2/2004 Gillet ..... D6/462  
D488,937 S \* 4/2004 Gillet ..... D6/471  
6,991,019 B2 \* 1/2006 Chang ..... 160/24

\* cited by examiner

*Primary Examiner*—Robert M. Spear

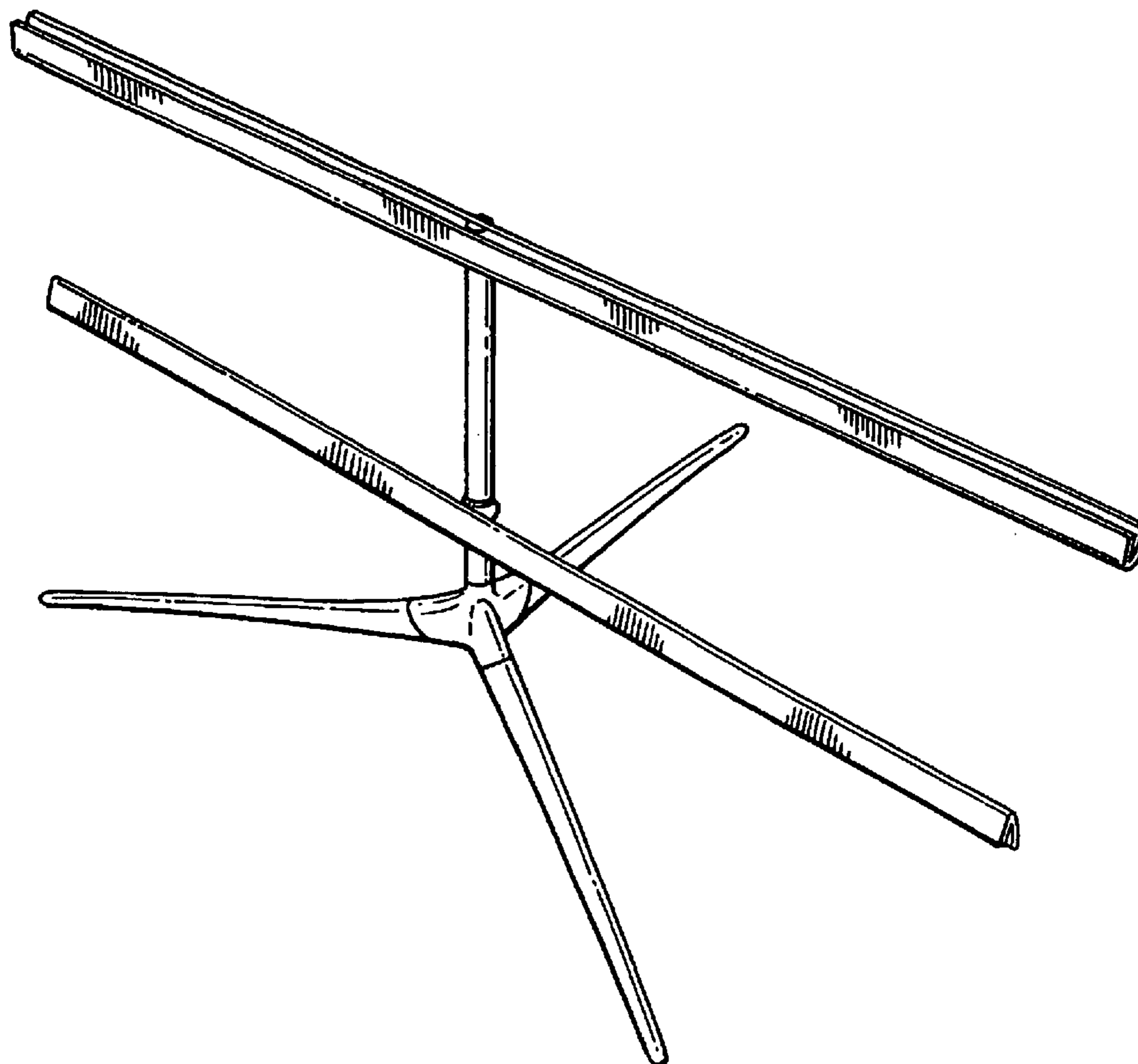
(57) **CLAIM**

The ornamental design for a display system, as shown.

**DESCRIPTION**

FIG. 1 is a front perspective view of the display system;  
FIG. 2 is a back perspective view of the display system;  
FIG. 3 is a top view of the display system;  
FIG. 4 is a bottom view of the display system;  
FIG. 5 is a left side view of the display system;  
FIG. 6 is a right side view of the display system;  
FIG. 7 is a front view of the display system; and  
FIG. 8 is a back view of the display system; and,  
FIG. 9 is a bottom perspective view of the display system.

**1 Claim, 6 Drawing Sheets**



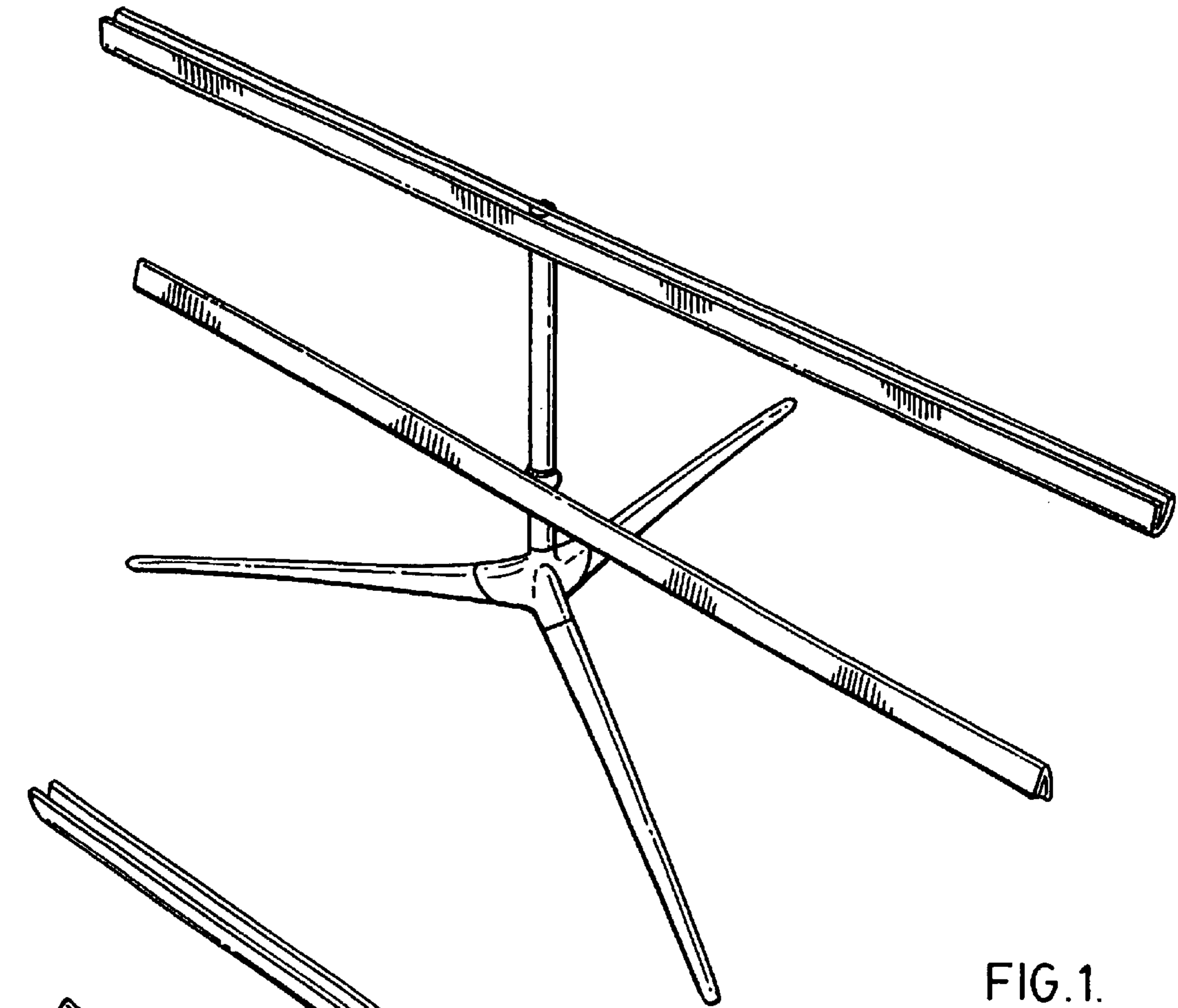


FIG. 1.

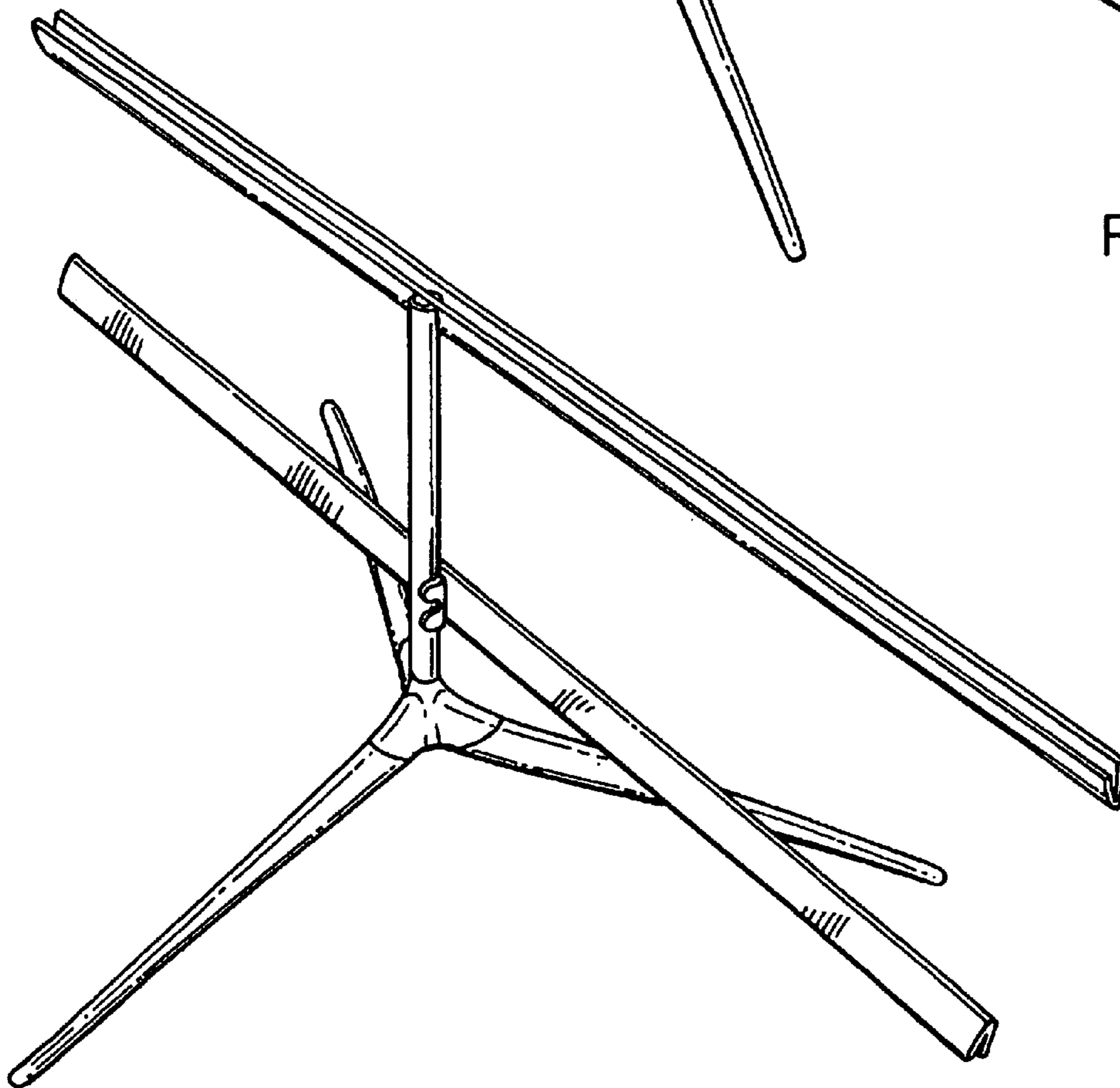


FIG. 2.

FIG. 3.

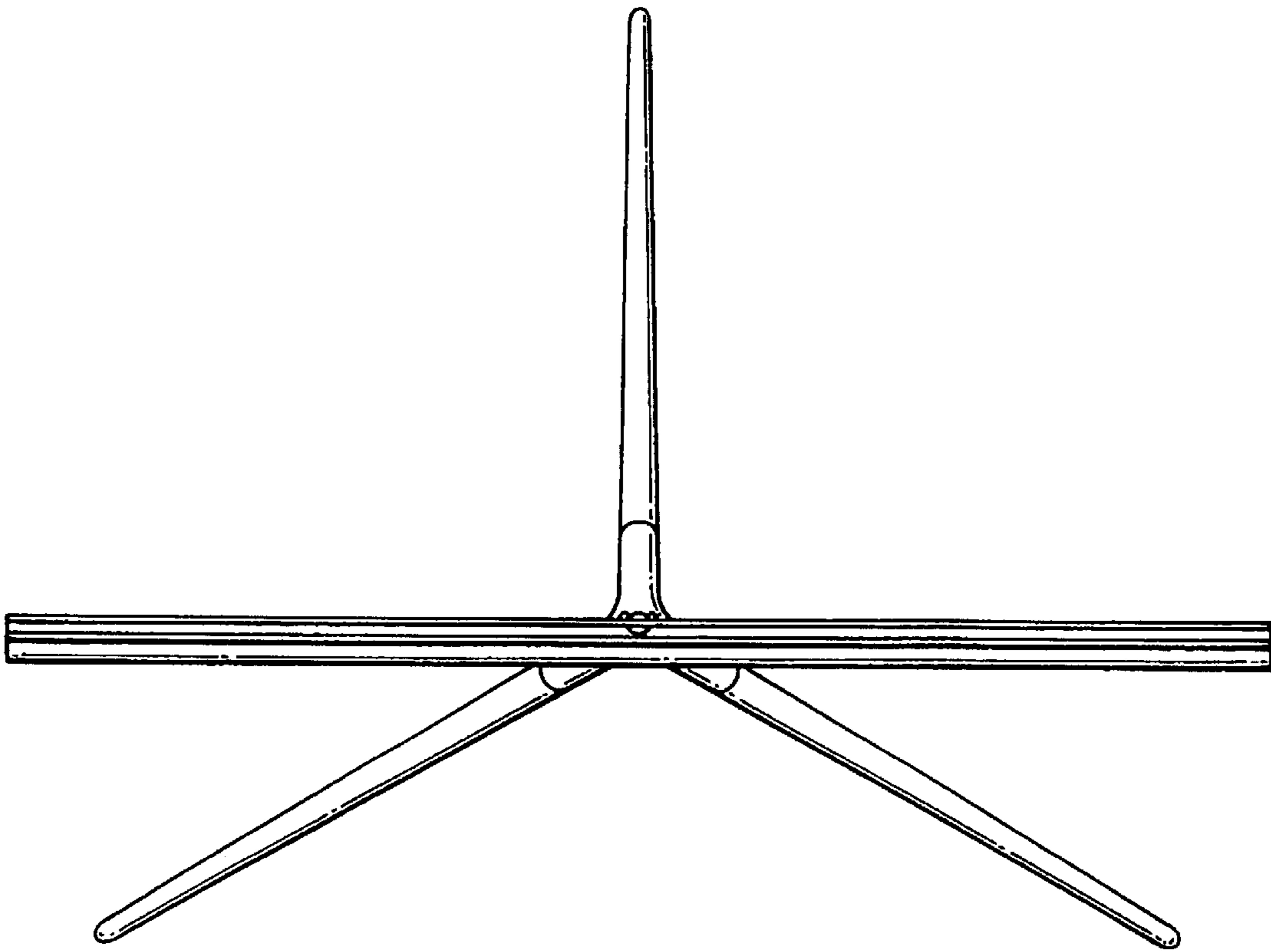
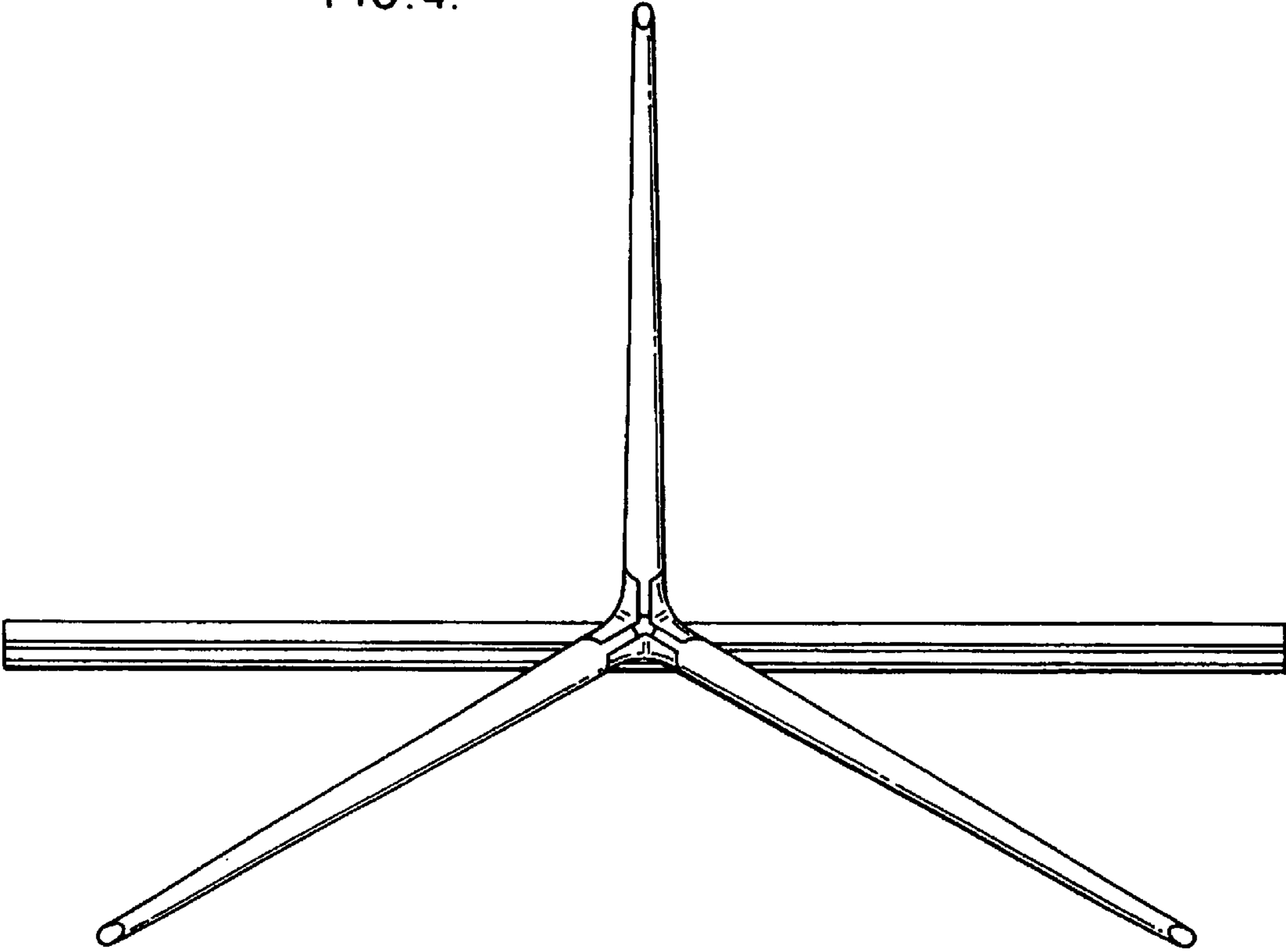


FIG. 4.



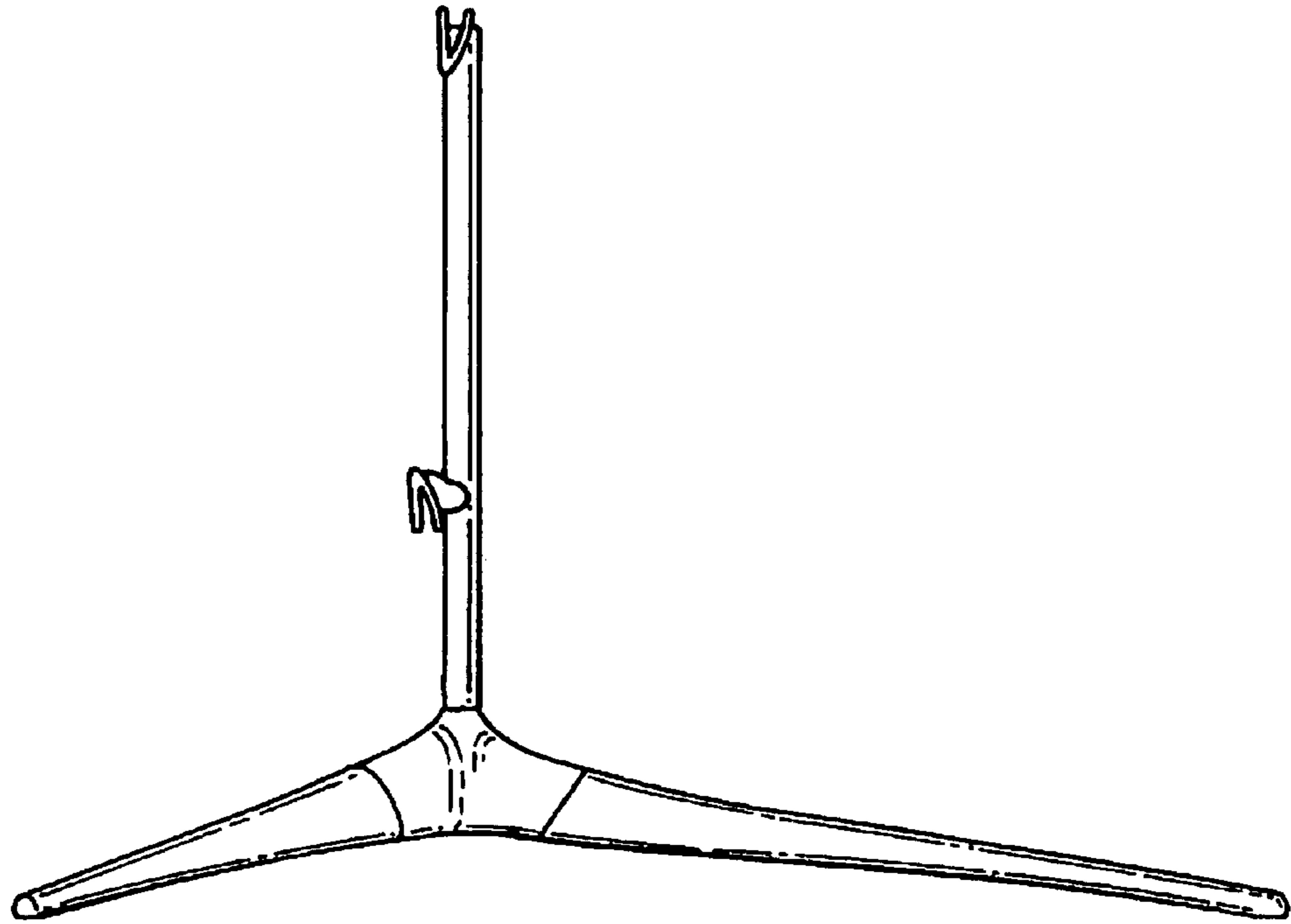


FIG. 5.

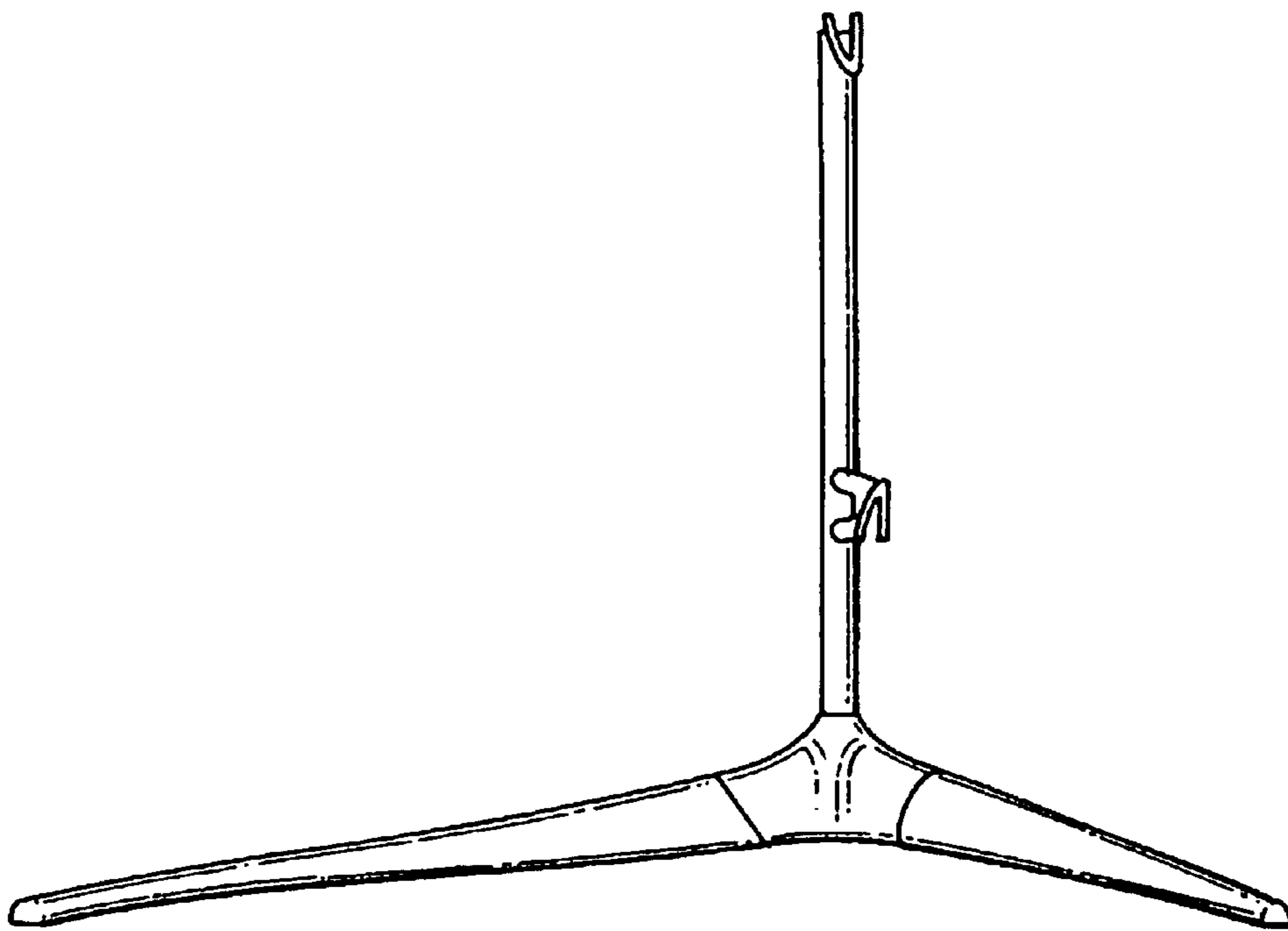


FIG. 6.

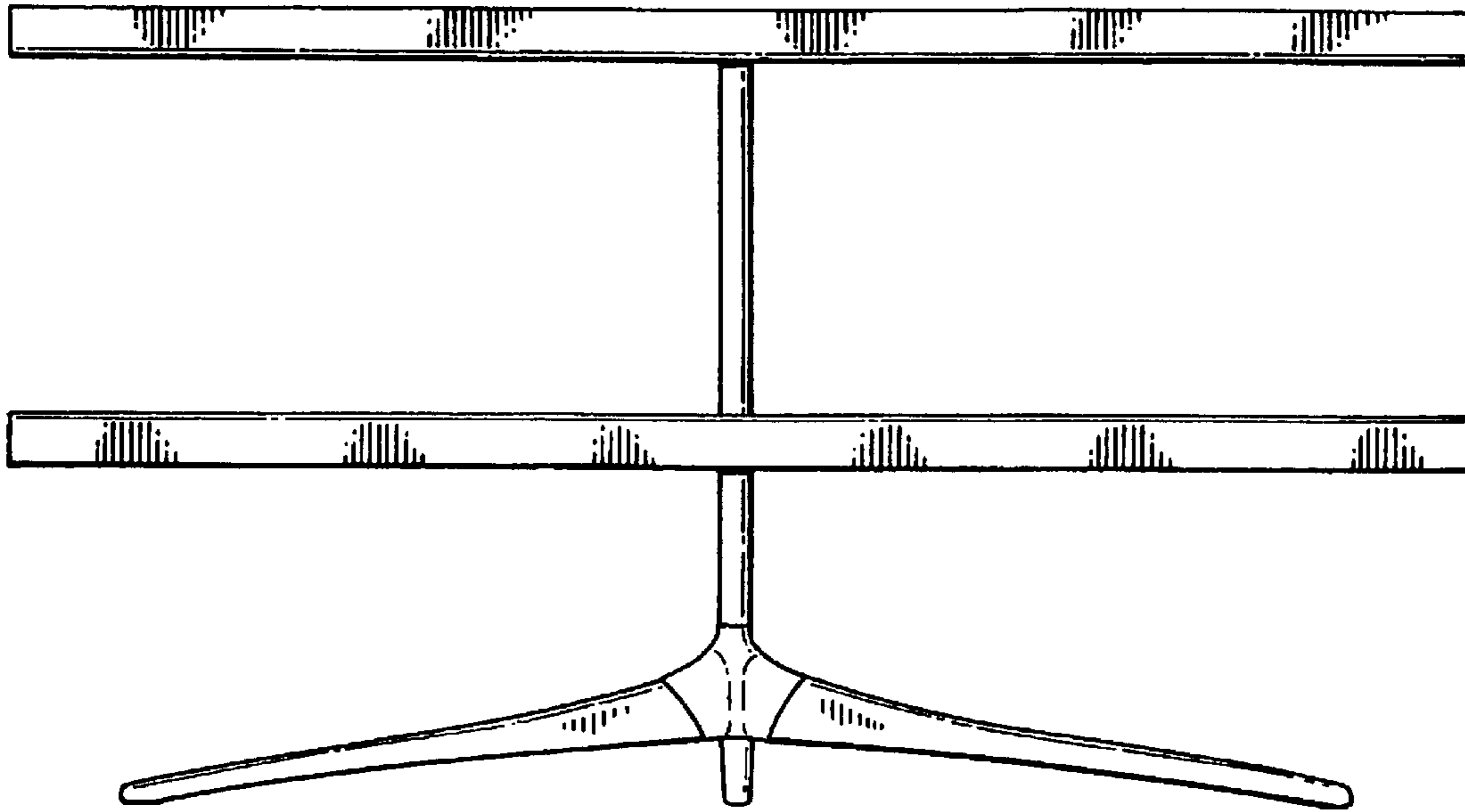


FIG. 7.

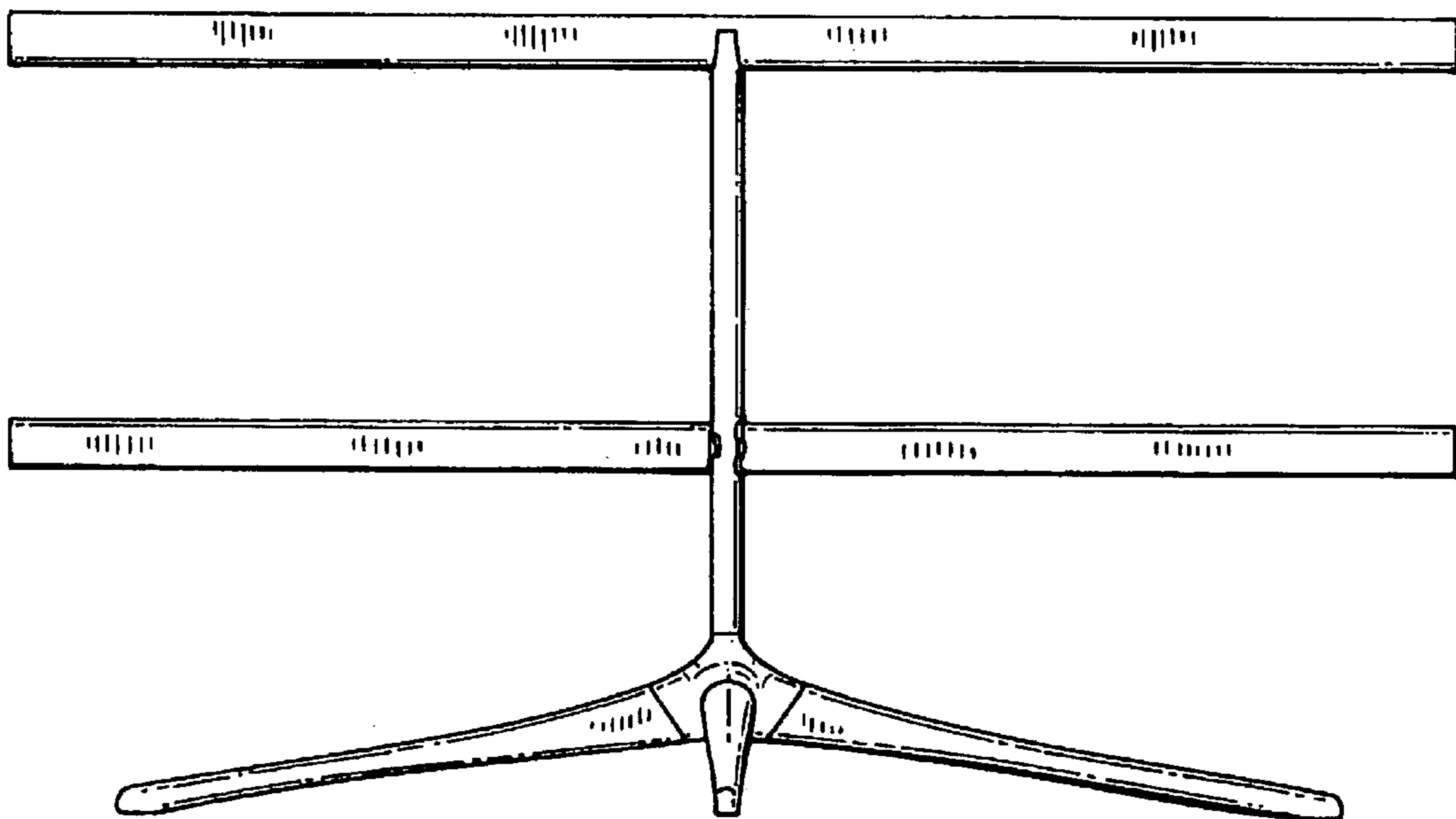


FIG. 8.

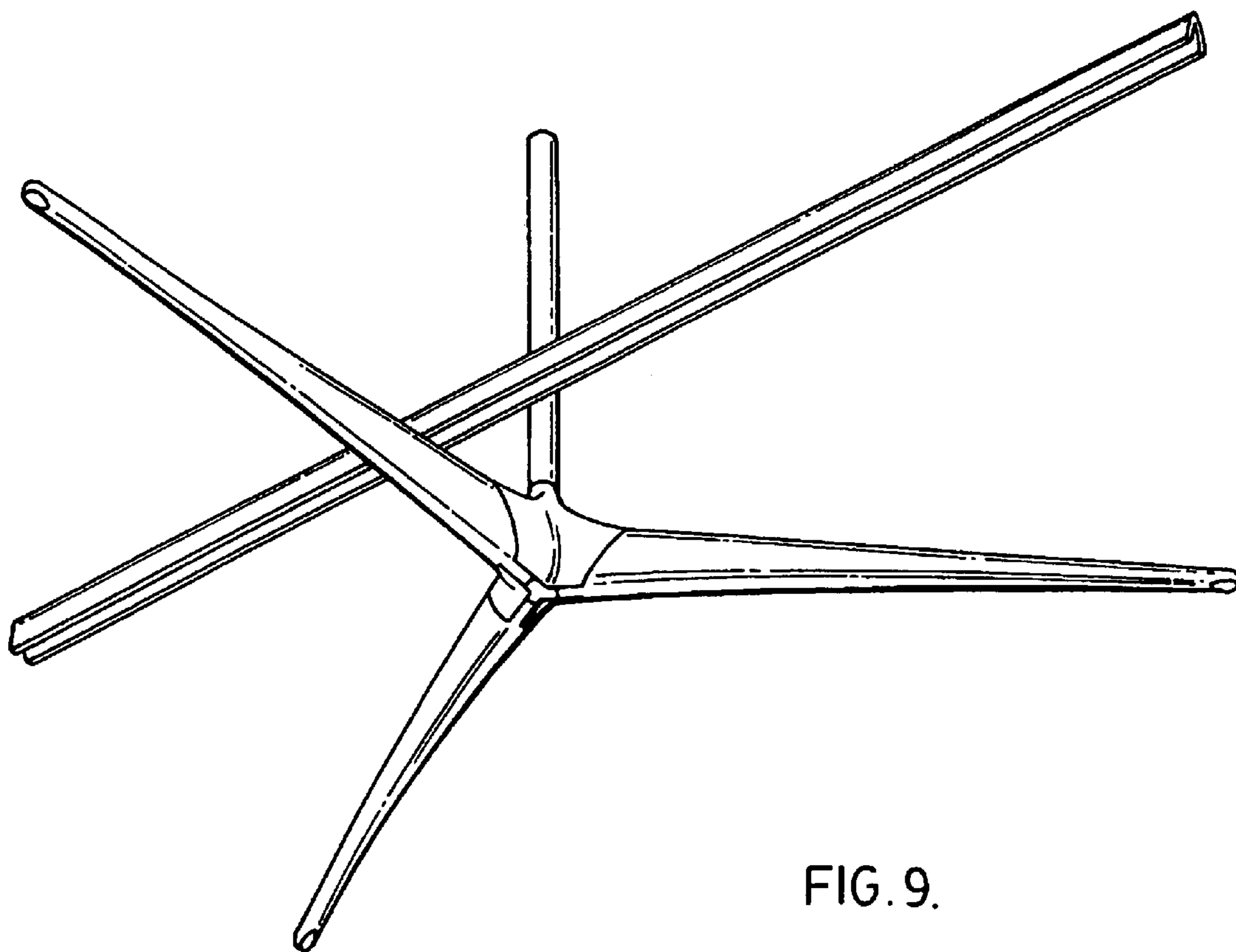


FIG. 9.