



US00D538351S

(12) **United States Design Patent**
Strong et al.

(10) **Patent No.:** **US D538,351 S**
(45) **Date of Patent:** **** Mar. 13, 2007**

(54) **INFORMATION DISPLAY FOR TELEPHONE CORD**

(76) Inventors: **Jay S. Strong**, 400 E. Colonial Dr., #1110, Orlando, FL (US) 32803; **Marie C. Wilhelm**, 1613 Puritan Ave., Winter Park, FL (US) 32792

(**) **Term:** **14 Years**

(21) **Appl. No.:** **29/236,281**

(22) **Filed:** **Aug. 15, 2005**

(51) **LOC (8) Cl.** **19-08**

(52) **U.S. Cl.** **D20/27; D20/42**

(58) **Field of Classification Search** D20/10, D20/11, 13, 19, 22, 27, 29, 31, 39, 40, 41, D20/42, 43, 44, 99; D6/470; D11/95, 116; D12/191; D25/16; 40/124.13, 312, 316, 358, 40/368, 369, 584, 591, 593, 596, 607.09, 40/610, 611.12, 616, 617, 624, 626, 628, 40/630, 765; 116/63 P, 63 T; 296/97.7, 97.8; D8/358

See application file for complete search history.

(56) **References Cited**

U.S. PATENT DOCUMENTS

D132,614 S * 6/1942 Johnson D8/358
D200,791 S * 4/1965 Smith D8/358

D285,901 S * 9/1986 Gustavsson D8/358
4,656,767 A 4/1987 Tarrant
4,679,234 A 7/1987 Earwood, Sr.
4,856,214 A 8/1989 Machen
D325,400 S 4/1992 Wolff
5,307,576 A 5/1994 Machen
D358,615 S 5/1995 Cline
5,515,580 A 5/1996 McHenry, Jr.
5,577,932 A 11/1996 Palmer
D421,773 S 3/2000 Yashar
6,374,143 B1 * 4/2002 Berrang et al. 607/137
6,823,617 B2 * 11/2004 Schweikert 40/299.01

* cited by examiner

Primary Examiner—Robert M. Spear

(74) *Attorney, Agent, or Firm*—William M. Hobby, III

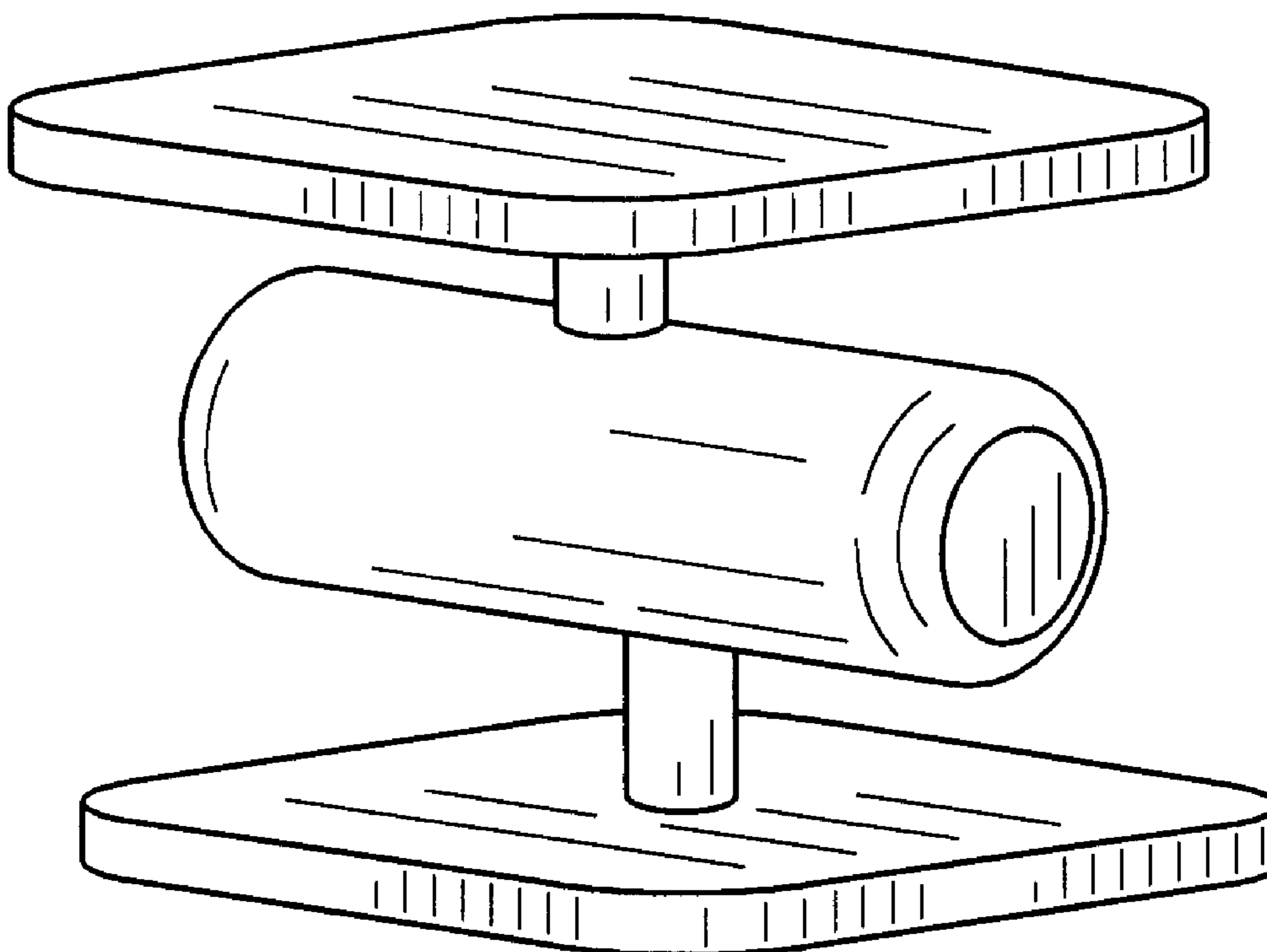
(57) **CLAIM**

The ornamental design for an information display for telephone cord, as shown.

DESCRIPTION

FIG. 1 is a top, front and left side perspective view of my new information display for telephone cord;
FIG. 2 is a rear elevation;
FIG. 3 is a right side elevation;
FIG. 4 is a bottom plan view; and,
FIG. 5 is a top plan view.

1 Claim, 1 Drawing Sheet



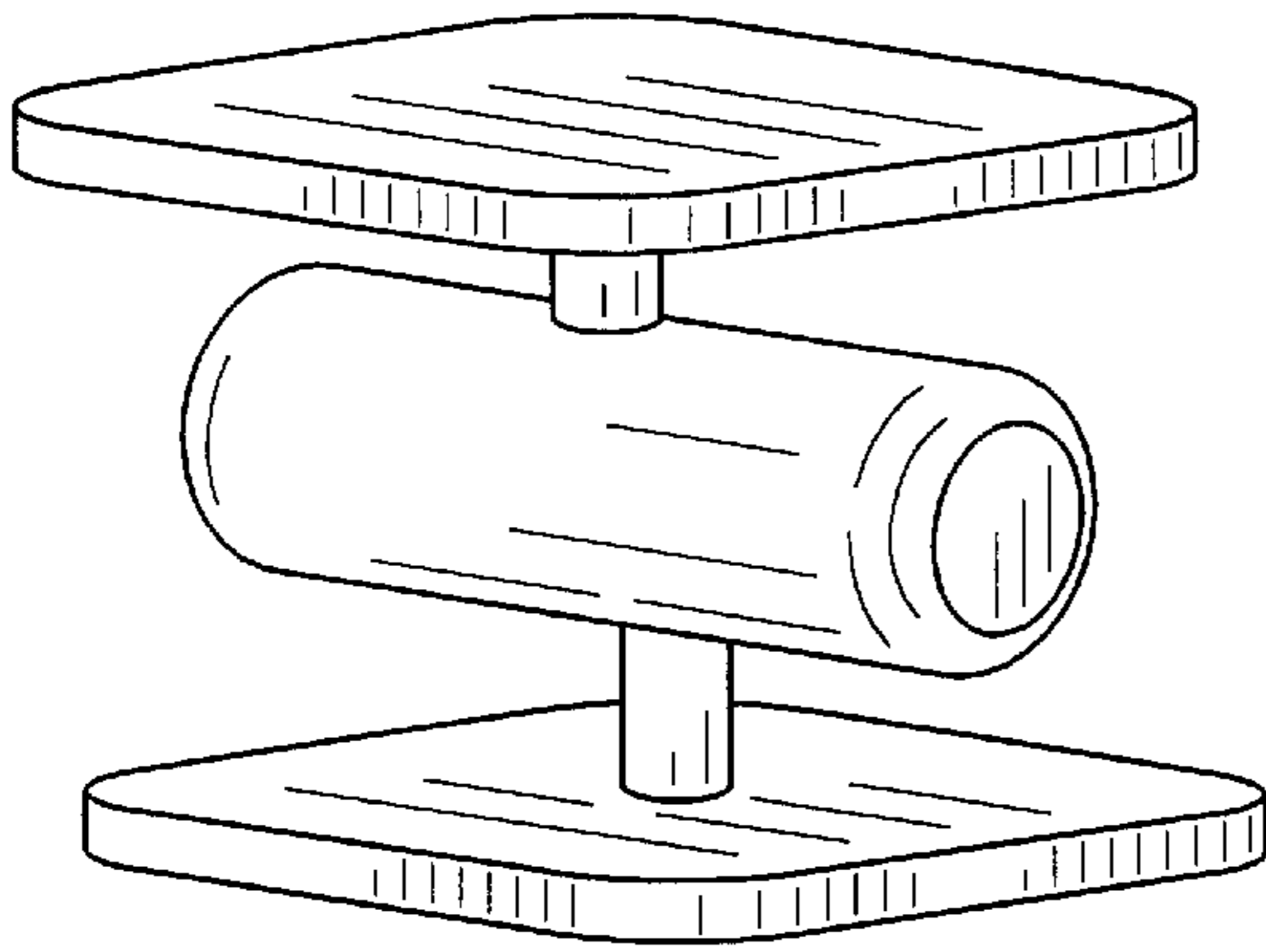


FIG. 1

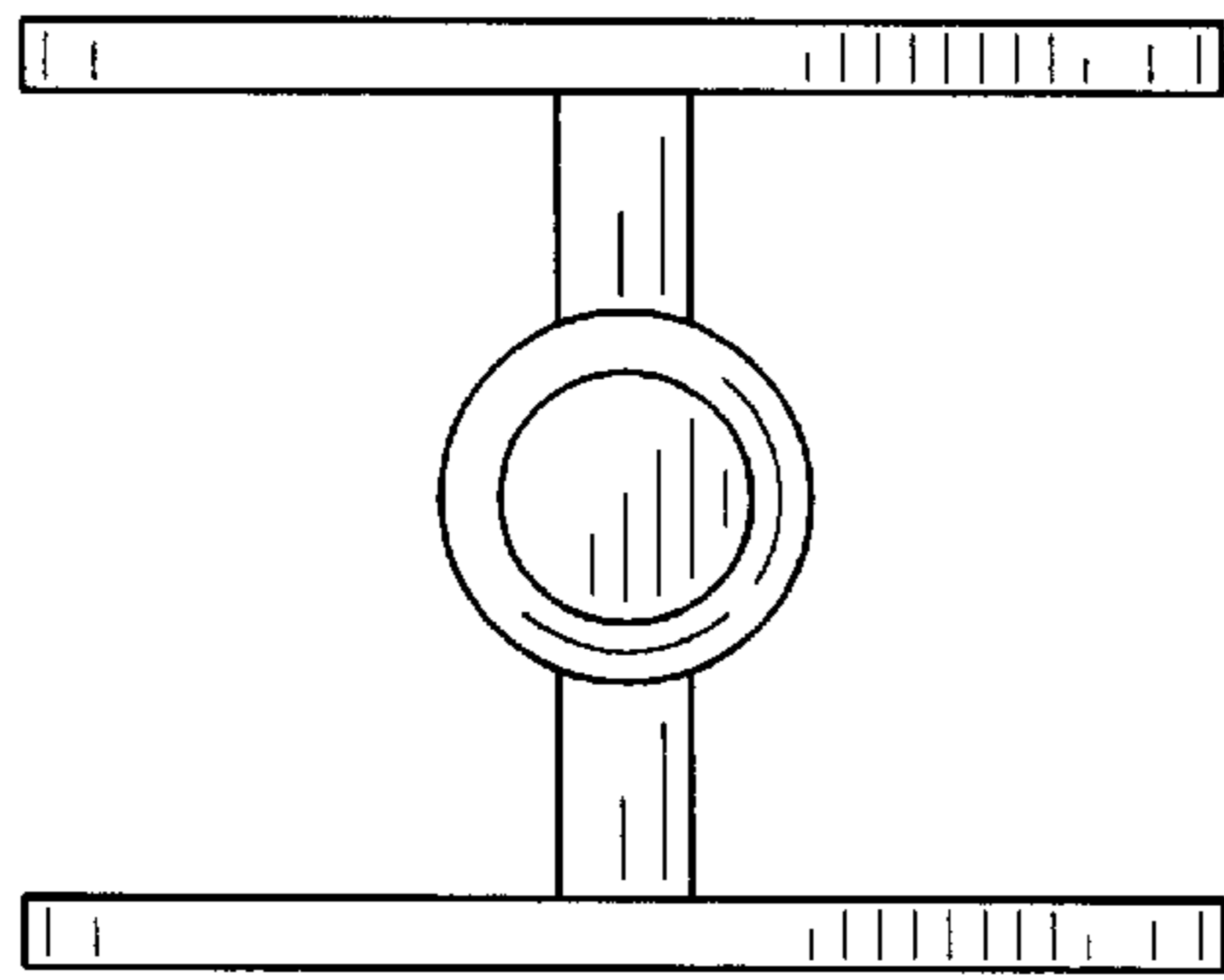


FIG. 2

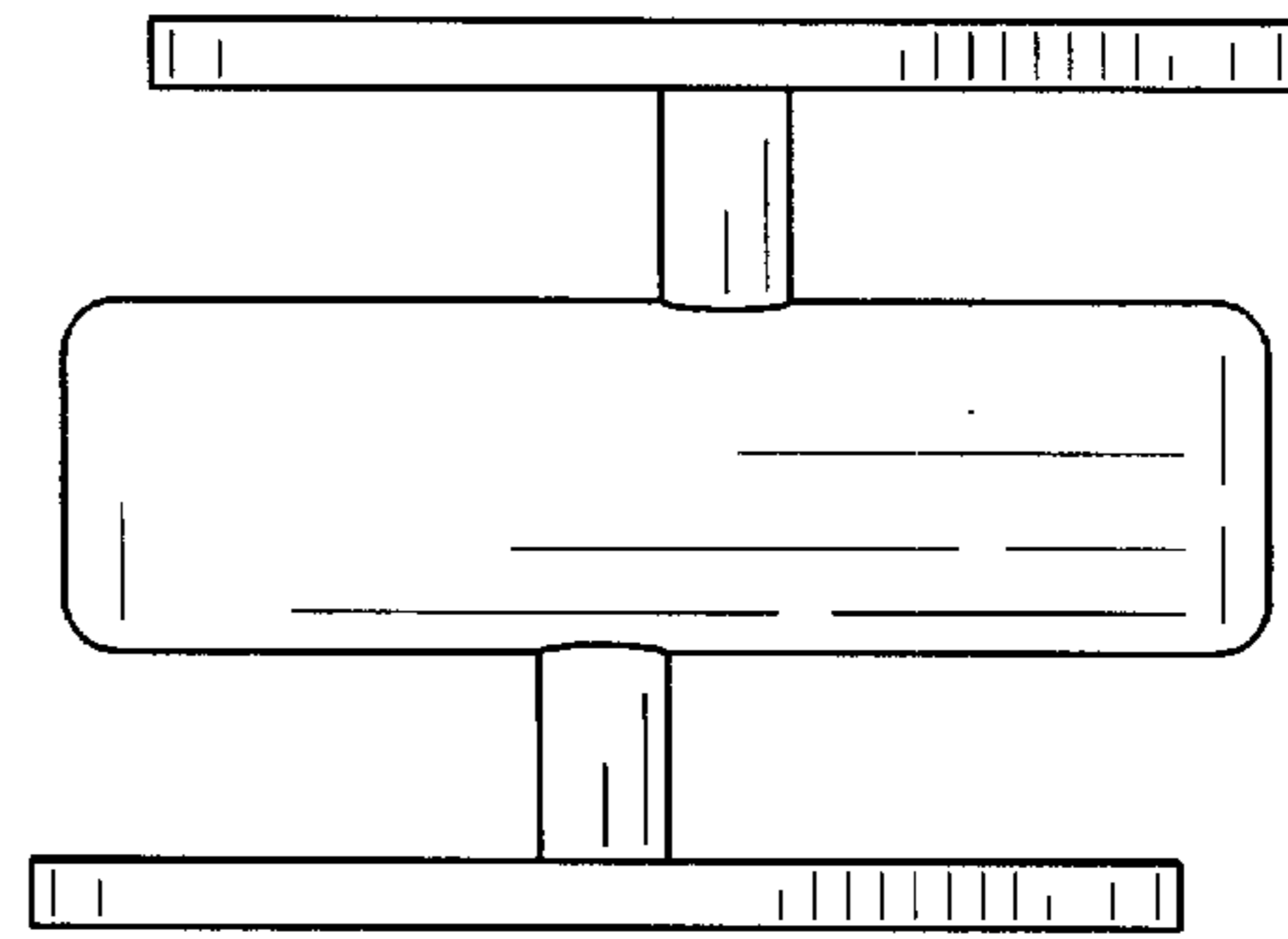


FIG. 3

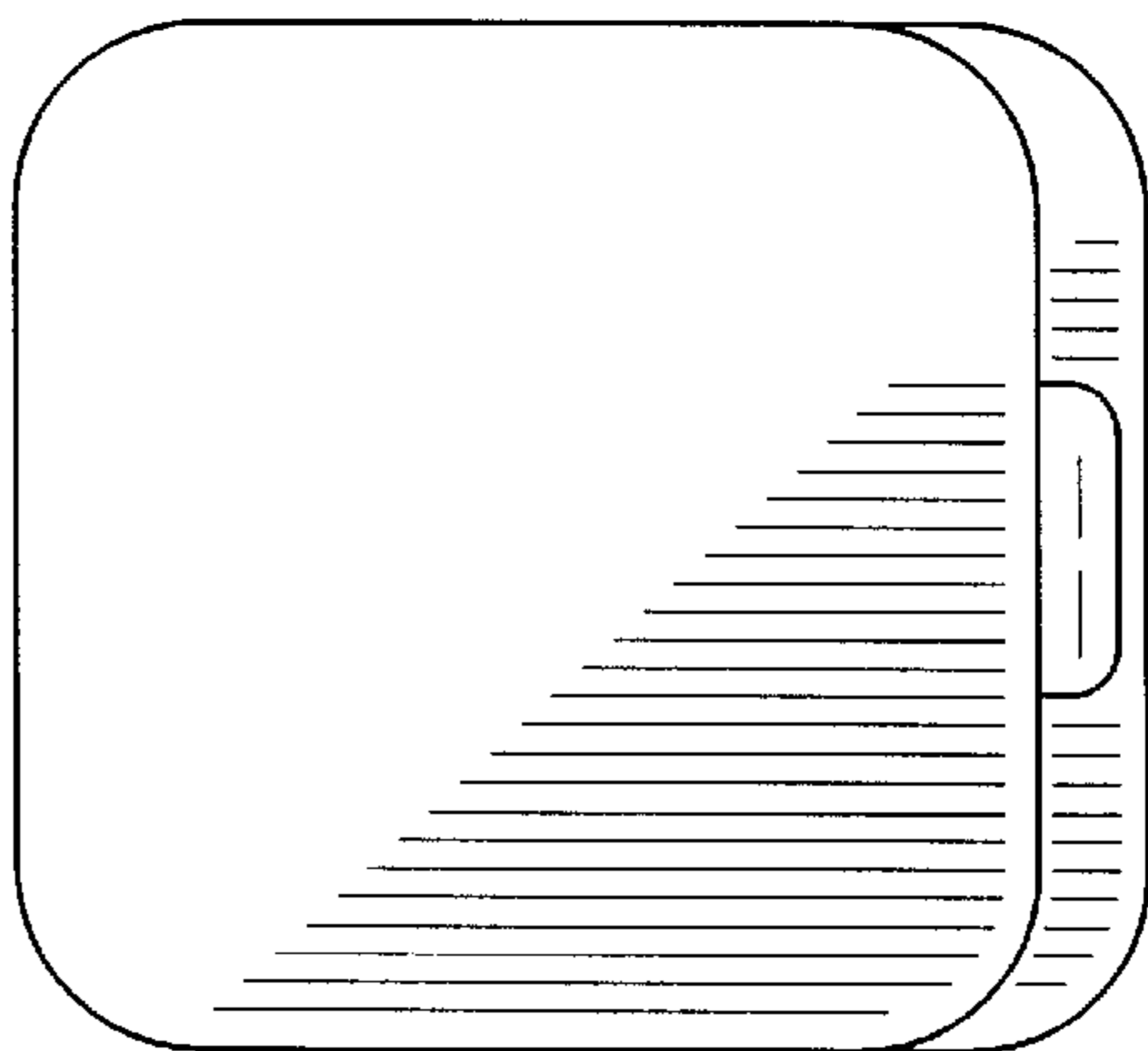


FIG. 4

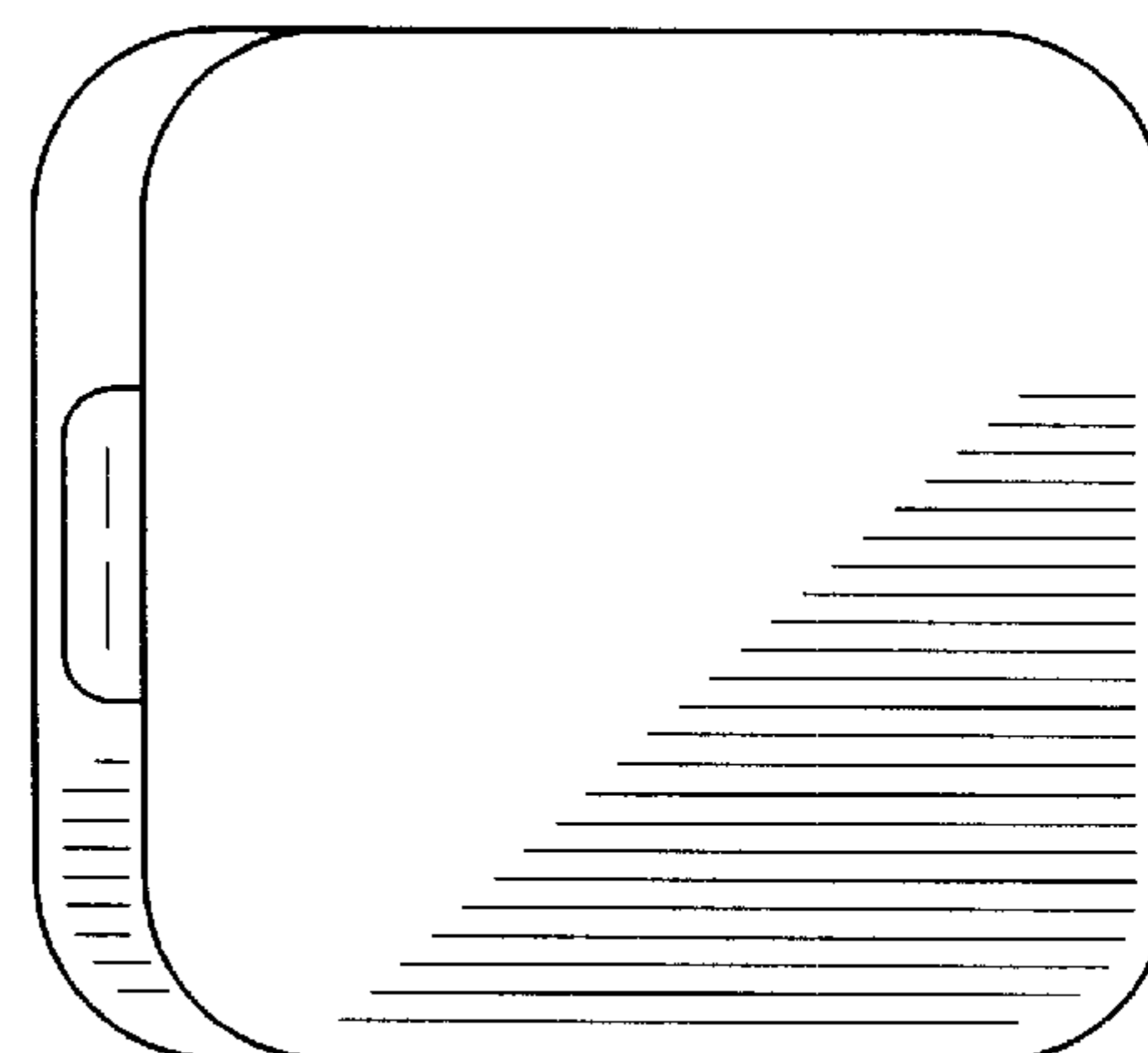


FIG. 5