



US00D538348S

(12) **United States Design Patent**
Leanza

(10) **Patent No.:** **US D538,348 S**
(45) **Date of Patent:** **** Mar. 13, 2007**

(54) **CLIPBOARD**

(76) Inventor: **Anthony S. Leanza**, 27396 Sprague Rd., Olmsted Township, OH (US) 44138

(**) Term: **14 Years**

(21) Appl. No.: **29/245,087**

(22) Filed: **Dec. 19, 2005**

(51) **LOC (8) Cl.** **19-02**

(52) **U.S. Cl.** **D19/88**

(58) **Field of Classification Search** D6/406.3,
D6/420; D19/52, 78, 86, 87, 88, 90, 91, 92;
24/67.3, 67.5, 67.7; 211/50; 248/447, 452;
281/44, 45; 362/99

See application file for complete search history.

(56) **References Cited**

U.S. PATENT DOCUMENTS

3,694,644	A	9/1972	Bauknight	
4,153,927	A	5/1979	Owens	
D313,819	S	1/1991	Craft, Jr. et al.	
D341,626	S	* 11/1993	Rosmarin et al.	D19/88
D353,399	S	* 12/1994	Dodge	D19/88
D354,772	S	* 1/1995	Flickinger et al.	D19/88
D360,649	S	* 7/1995	Volk et al.	D19/36
D383,496	S	* 9/1997	Siegel et al.	D19/88
5,829,787	A	11/1998	Newhouse, Jr.	
6,241,360	B1	6/2001	Merrell	
6,443,588	B1	9/2002	Nunez	
6,846,090	B1	* 1/2005	Smith	362/99

OTHER PUBLICATIONS

Pending U.S. Appl. No. 29/236,451, filed Aug. 16, 2005. Leanza, entitled CLIPBOARD.

* cited by examiner

Primary Examiner—Elizabeth A. Albert

(74) *Attorney, Agent, or Firm*—Tarolli, Sundheim, Covell & Tummino, LLP

(57) **CLAIM**

The ornamental design for a clipboard, as shown and described.

DESCRIPTION

FIG. 1 is a front perspective view of a clipboard showing one embodiment of my new design;

FIG. 2 is a top plan view of the clipboard of FIG. 1;

FIG. 3 is a side elevation view of one side the clipboard of FIG. 1;

FIG. 4 is a rear elevation view the clipboard of FIG. 1;

FIG. 5 is a front elevation view the clipboard of FIG. 1;

FIG. 6 is a bottom plan view the clipboard of FIG. 1;

FIG. 7 is a front perspective view of a clipboard showing another embodiment of my new design;

FIG. 8 is a top plan view of the clipboard of FIG. 7;

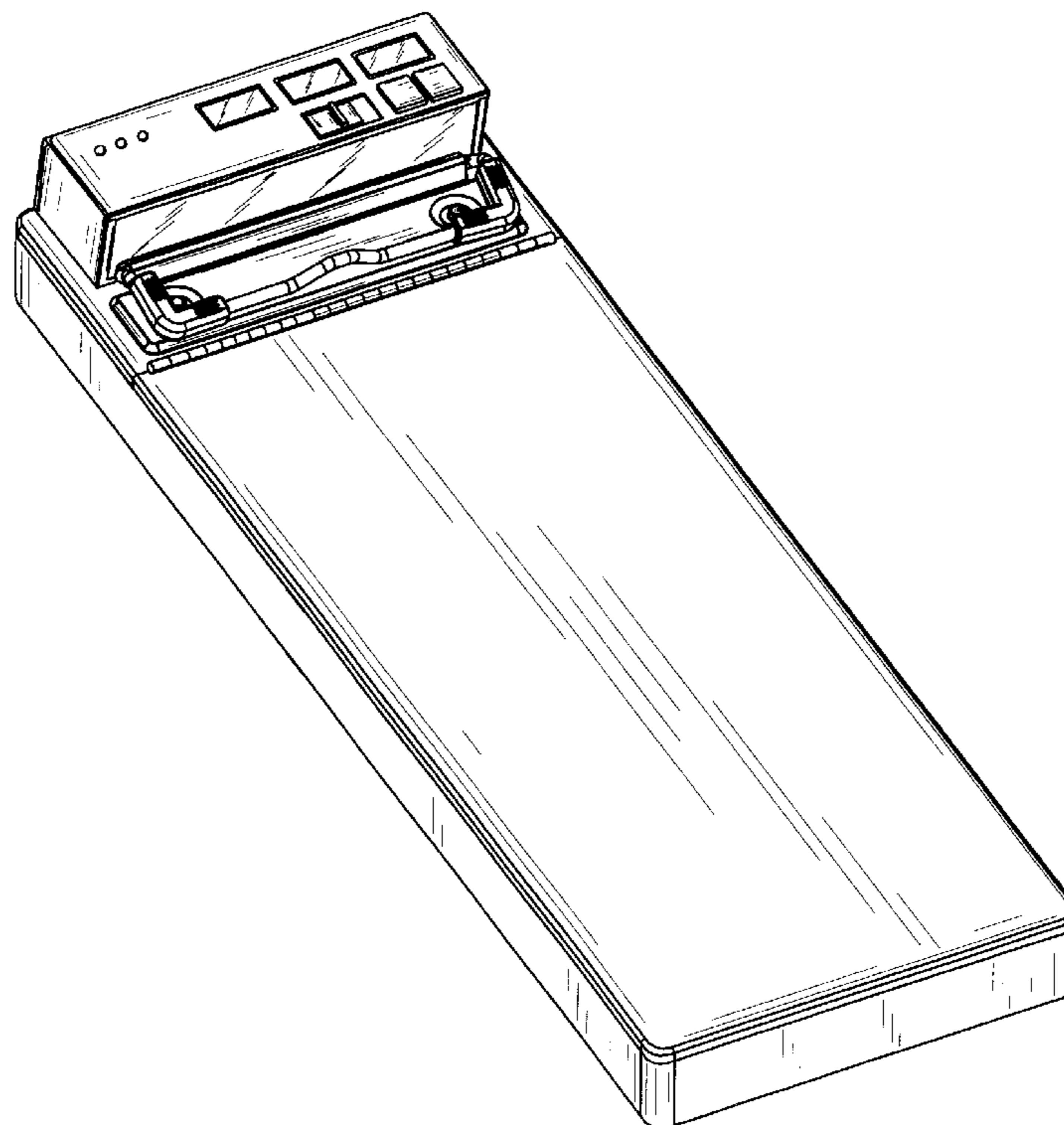
FIG. 9 is a side elevation view of one side the clipboard of FIG. 7;

FIG. 10 is a rear elevation view the clipboard of FIG. 7;

FIG. 11 is a front elevation view the clipboard of FIG. 7; and,

FIG. 12 is a bottom plan view the clipboard of FIG. 7.

1 Claim, 5 Drawing Sheets



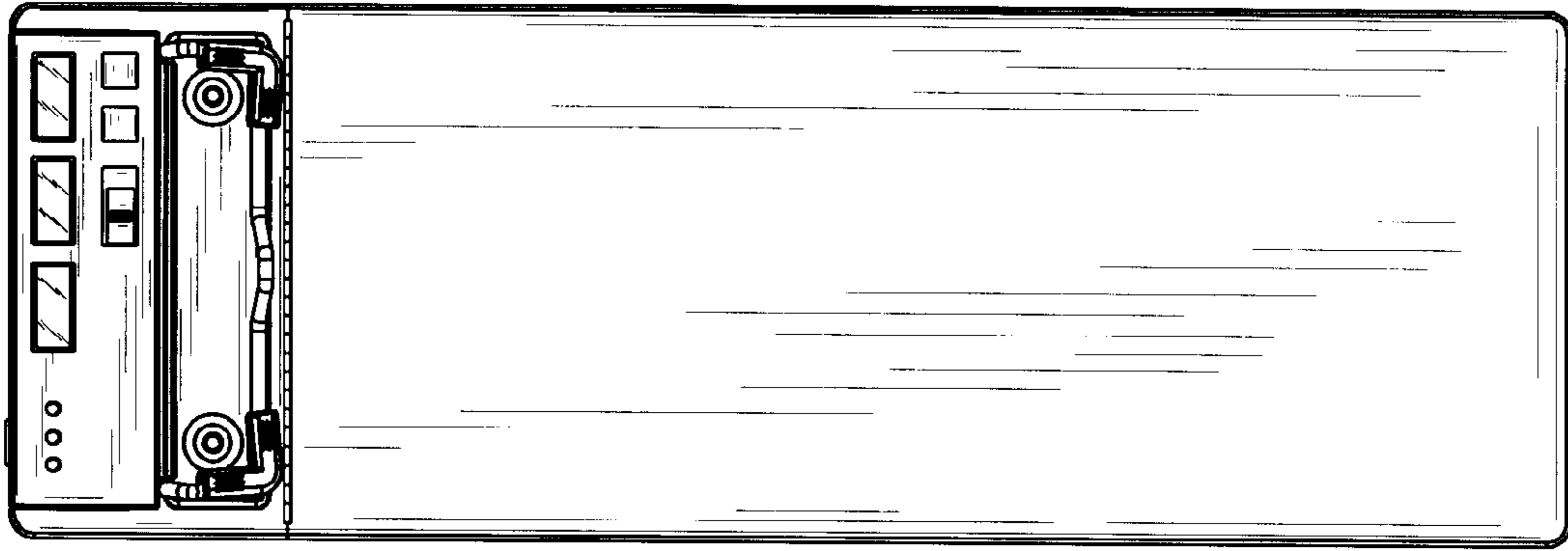


Fig.2

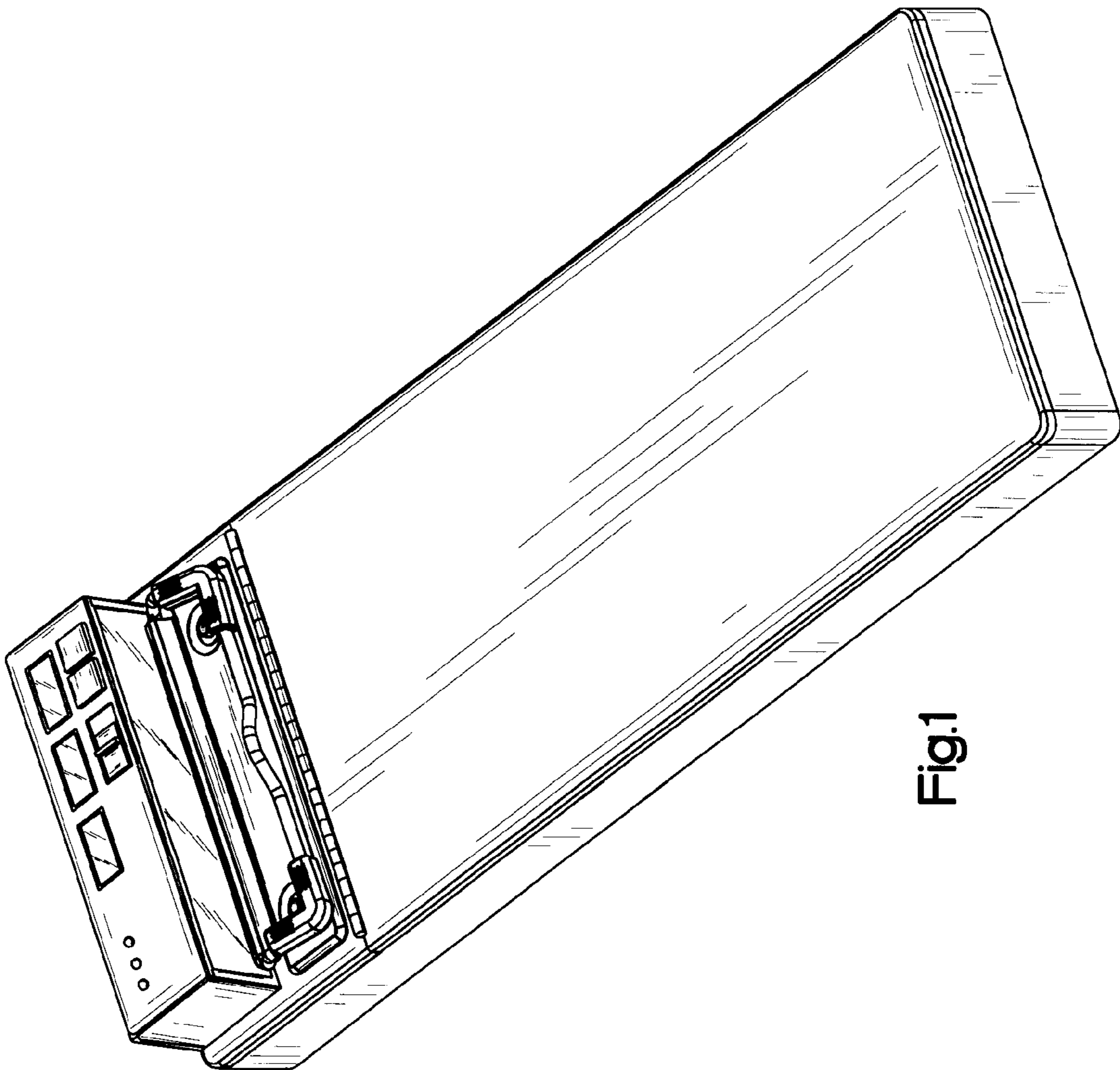


Fig.1

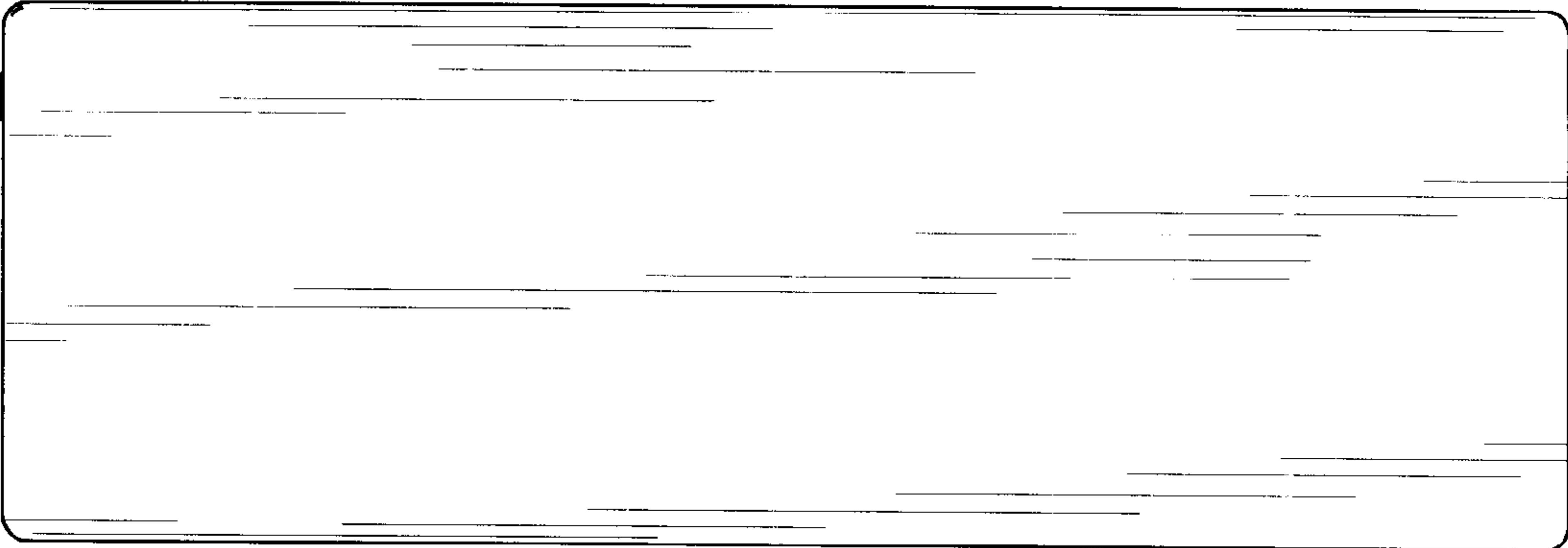


Fig.6

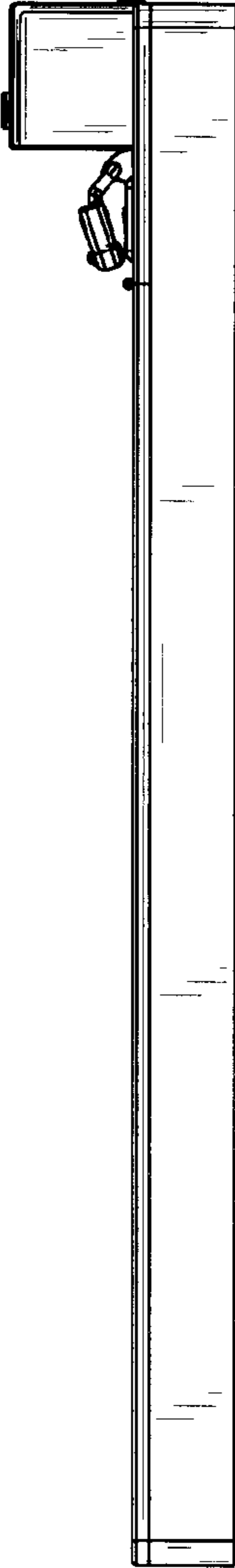


Fig.3

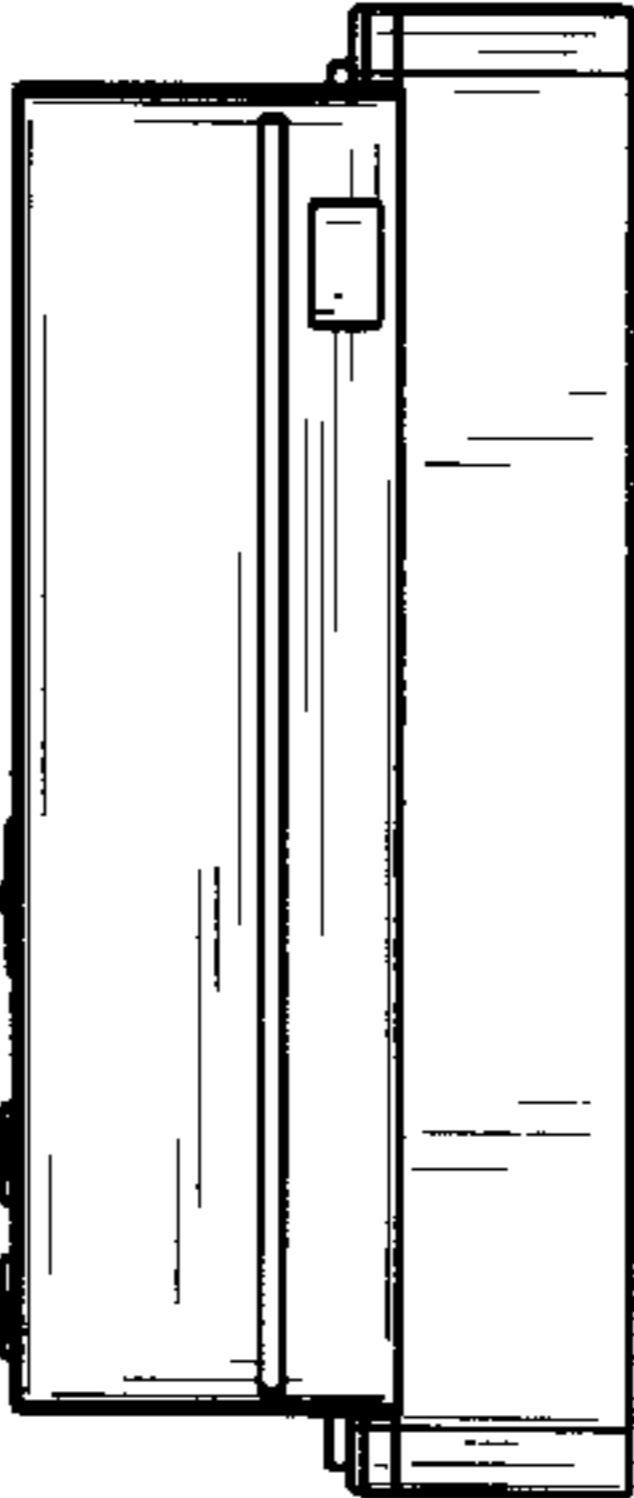


Fig.4

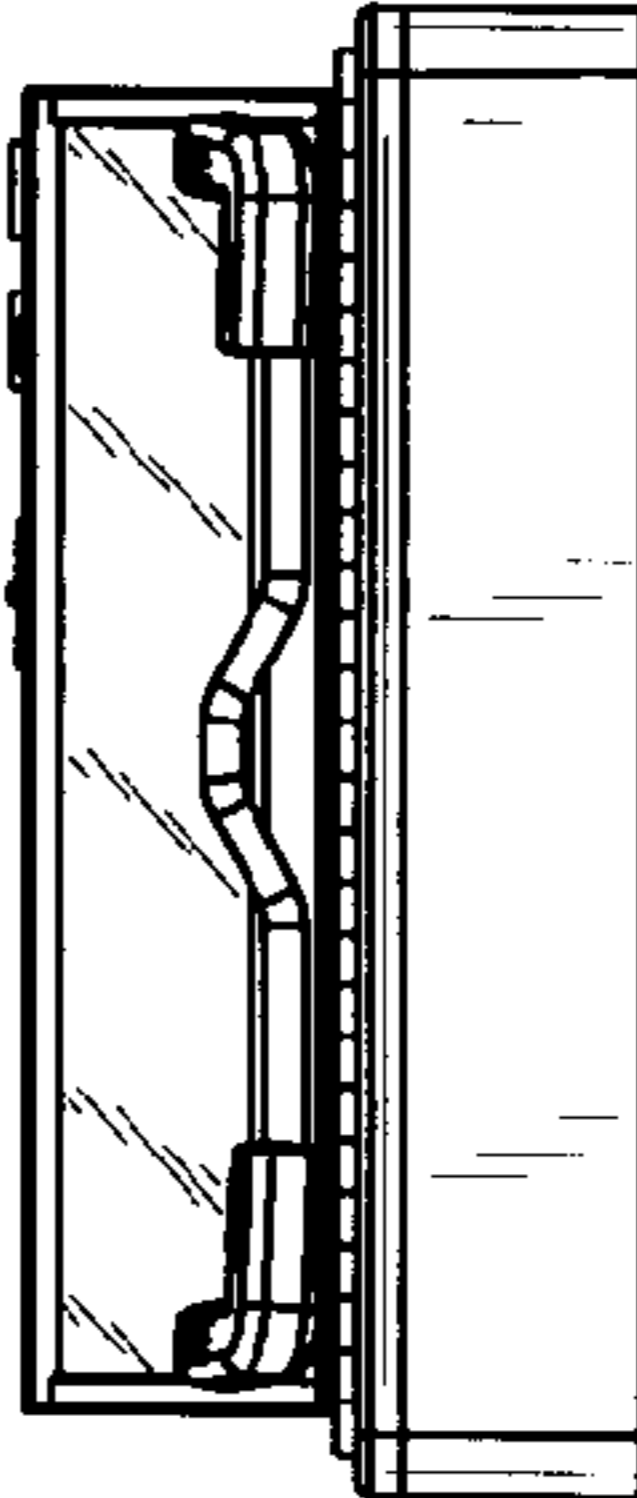


Fig.5

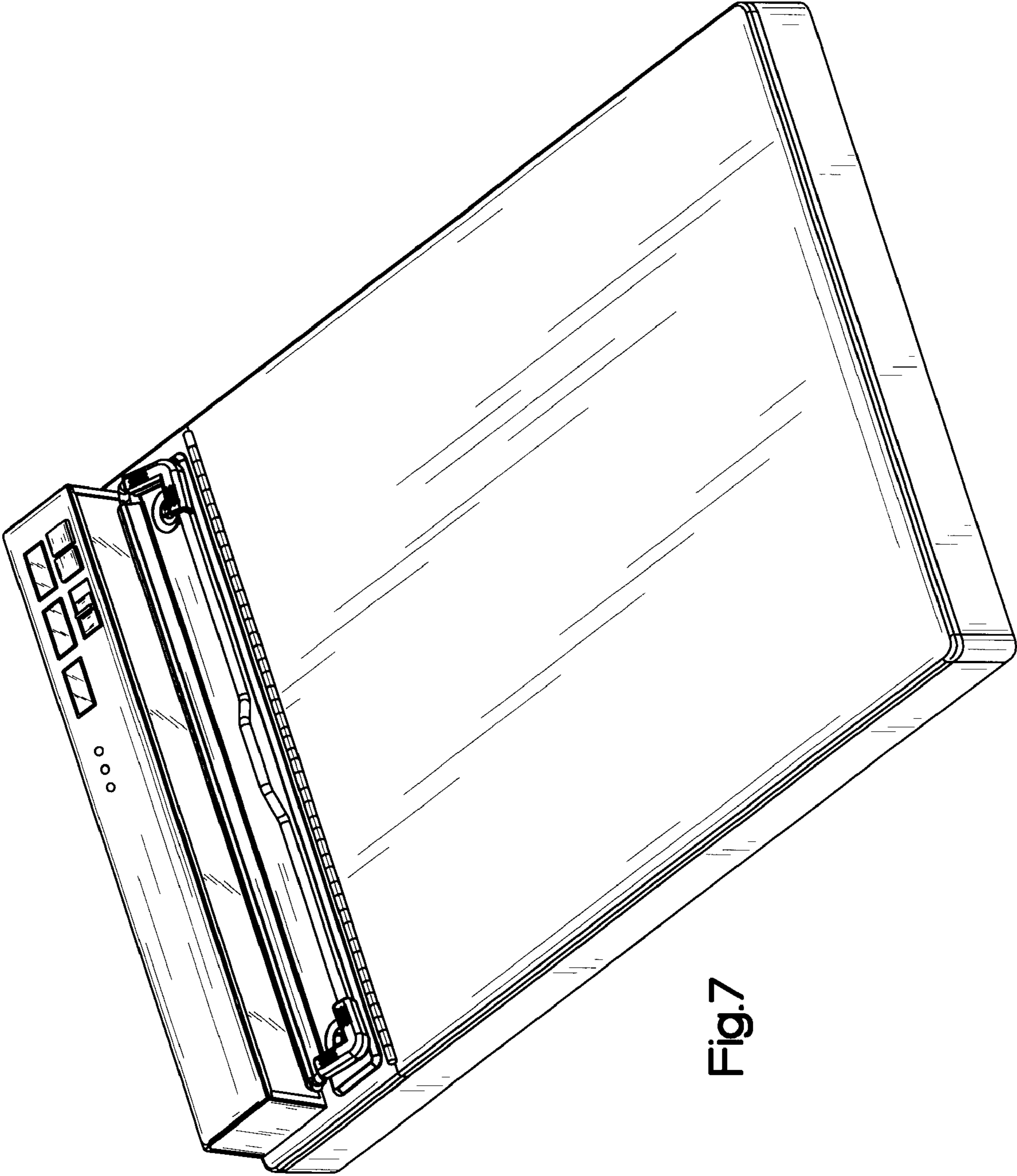


Fig.7

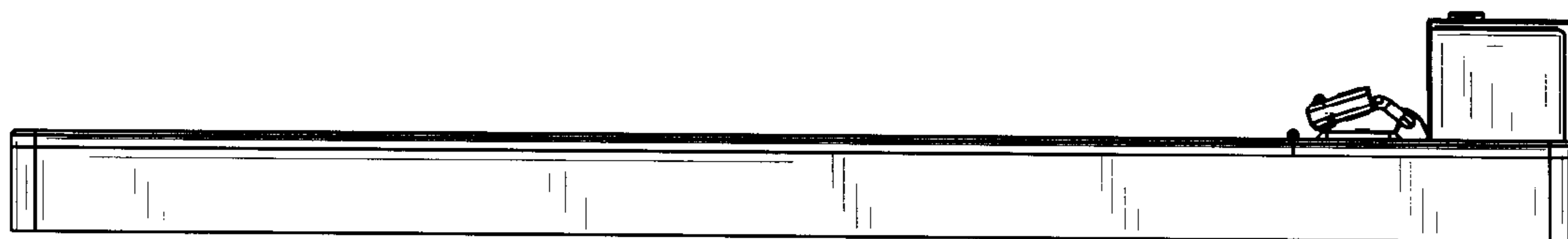
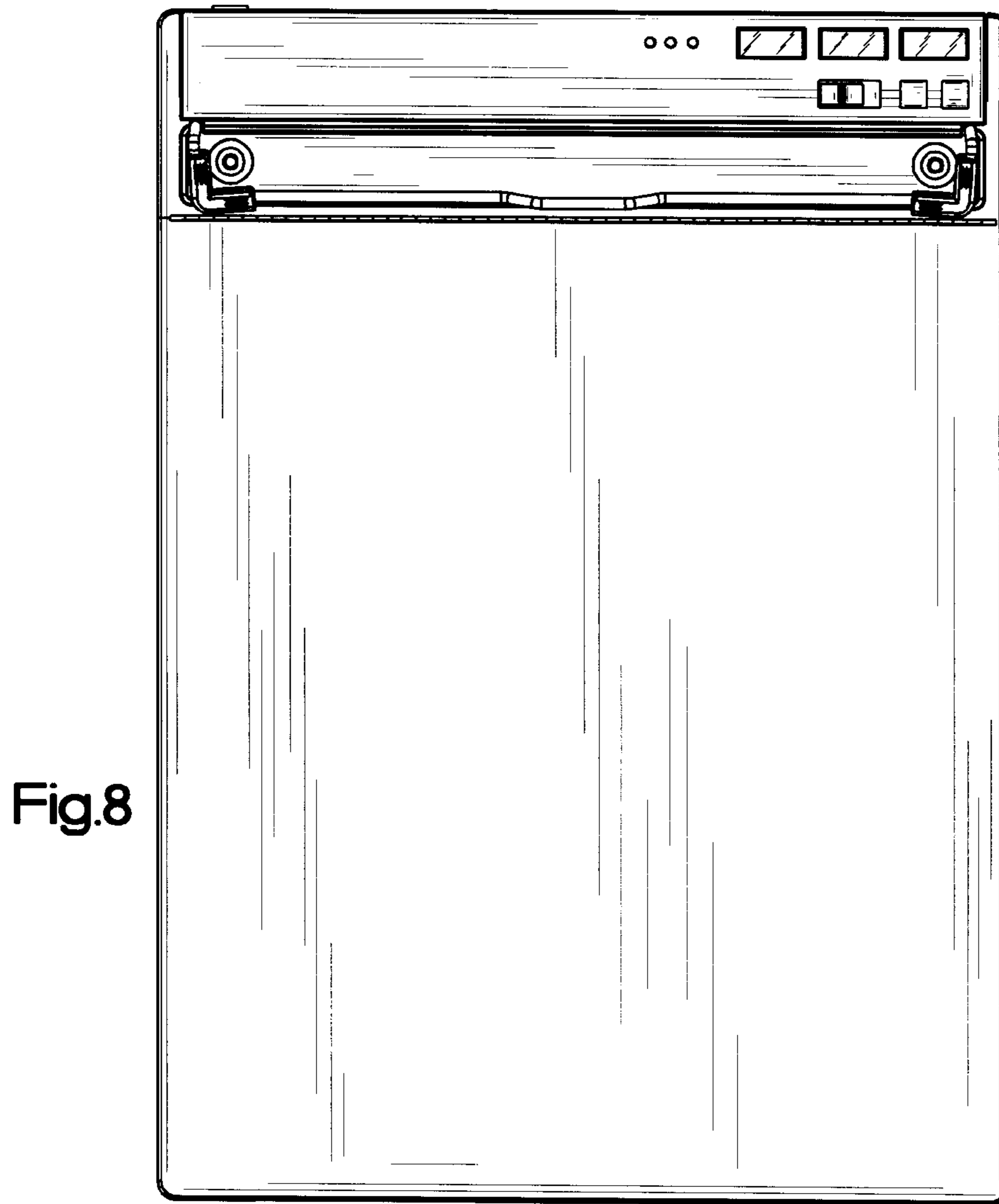


Fig.10

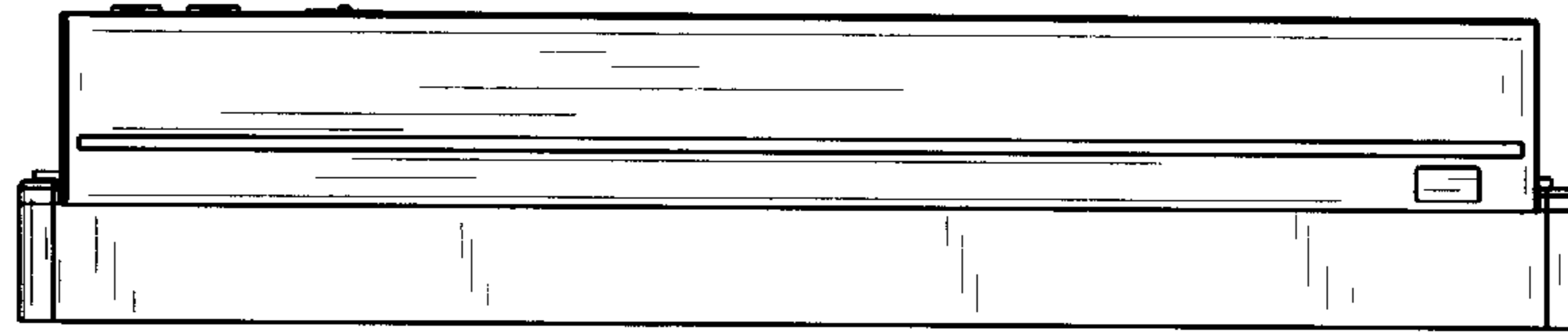


Fig.11

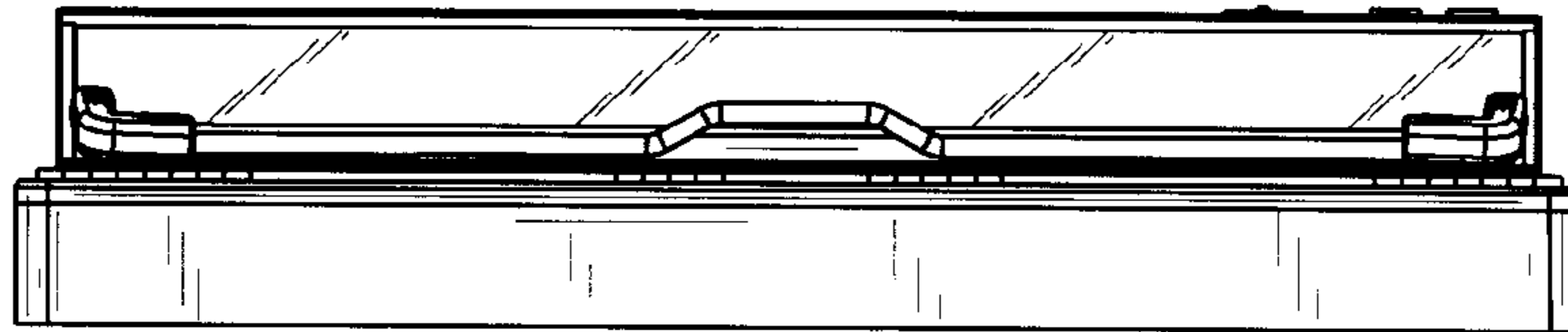


Fig.12

