



US00D538346S

(12) **United States Design Patent**
Rowe

(10) **Patent No.:** **US D538,346 S**
(45) **Date of Patent:** **** Mar. 13, 2007**

(54) **EDUCATIONAL TOY KIT**

(75) Inventor: **Anthony Rowe**, Richmond (GB)

(73) Assignee: **Ronan Francis Harvey**, S.V. Orion

(**) Term: **14 Years**

(21) Appl. No.: **29/223,050**

(22) Filed: **Feb. 8, 2005**

(51) **LOC (8) Cl.** **19-07**

(52) **U.S. Cl.** **D19/59**

(58) **Field of Classification Search** D19/59-64;
D21/324, 408, 484, 487, 488, 489, 561, 563;
273/155; 434/365, 401; 446/102-109, 111-112
See application file for complete search history.

(56) **References Cited**

U.S. PATENT DOCUMENTS

3,172,666	A	*	3/1965	Ryan	434/401
3,193,293	A	*	7/1965	Schaper	446/103
D265,666	S	*	8/1982	Nakao et al.	D21/408
5,073,138	A	*	12/1991	Klitsner et al.	446/105
5,100,142	A	*	3/1992	Cannata	273/155
D330,052	S	*	10/1992	Klitsner	D21/488
D359,526	S	*	6/1995	Keung	D21/324
D395,469	S	*	6/1998	Glickman	D21/484
6,176,757	B1	*	1/2001	Lin	446/111
6,315,628	B1	*	11/2001	Quercetti	446/103
6,561,866	B1	*	5/2003	Lee	446/103
D497,182	S	*	10/2004	McCartney	D19/59
2002/0065016	A1	*	5/2002	Huang	446/109

* cited by examiner

Primary Examiner—Louis Zarfaz

Assistant Examiner—Mark Cavanna

(74) *Attorney, Agent, or Firm*—Baker & Daniels LLP

(57) **CLAIM**

The ornamental design for an education toy kit, as shown and described.

DESCRIPTION

FIG. 1 is a plan view of the entire kit, including a backboard, seven rotating parts, and a tile;

FIG. 2 is a perspective view of the backboard of FIG. 1;

FIG. 3 is a plan view of the backboard of FIG. 2;

FIG. 4 is a rear view of the backboard of FIG. 2;

FIG. 5 is a perspective view of the first rotating part of FIG. 1;

FIG. 6 is a plan view of the first rotating part of FIG. 5;

FIG. 7 is a perspective view of the second rotating part of FIG. 1;

FIG. 8 is a plan view of the second rotating part FIG. 7;

FIG. 9 is a perspective view of the third rotating part of FIG. 1;

FIG. 10 is a plan view of the third rotating part of FIG. 9;

FIG. 11 is a perspective view of the fourth rotating part of FIG. 1;

FIG. 12 is a plan view of the fourth rotating part of FIG. 11;

FIG. 13 is a perspective view of the fifth rotating part of FIG. 1;

FIG. 14 is a plan view of the fifth rotating part of FIG. 13;

FIG. 15 is a perspective view of the sixth rotating part FIG. 1;

FIG. 16 is a plan view of the sixth rotating part of FIG. 15;

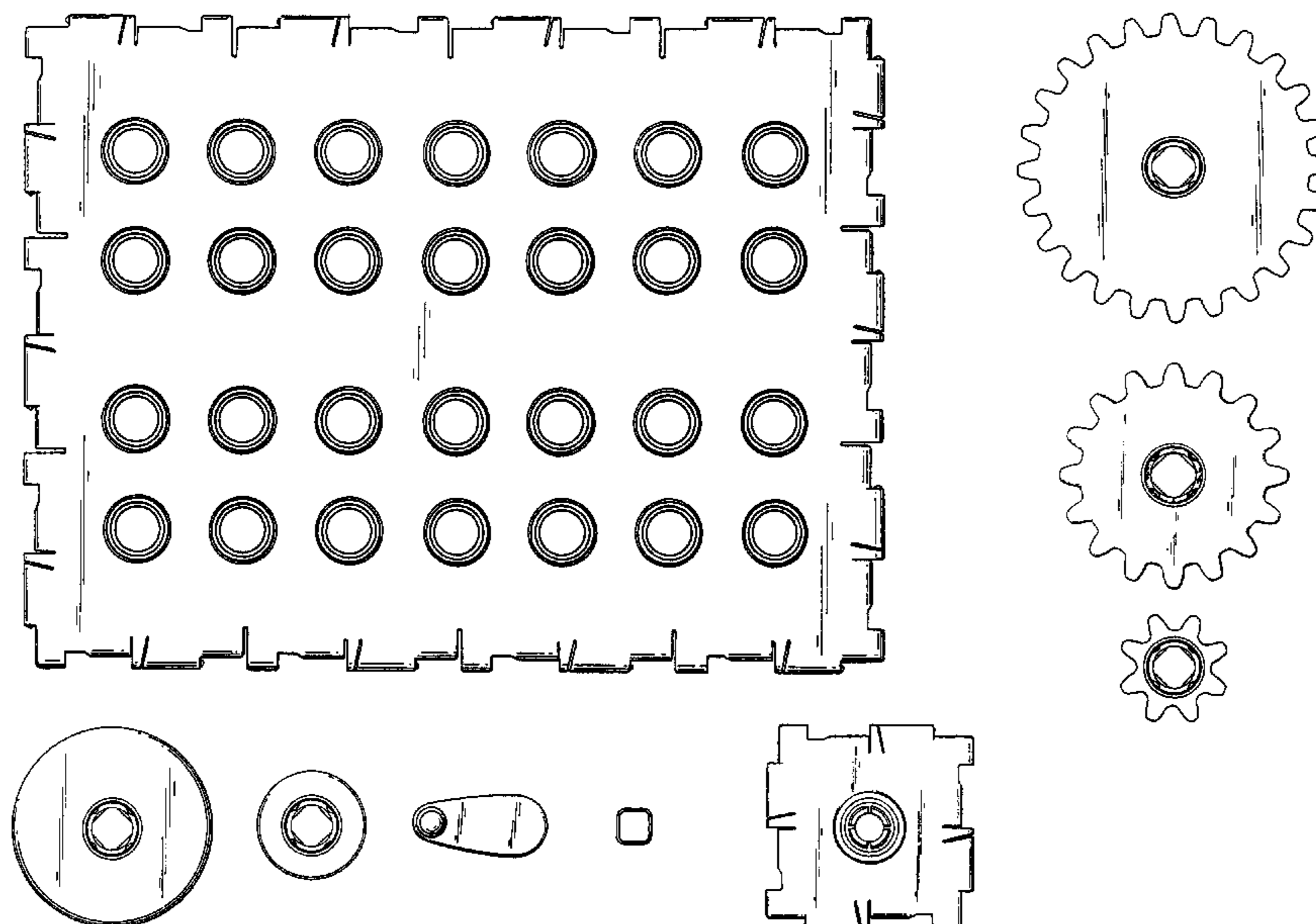
FIG. 17 is a perspective view of the seventh rotating part of FIG. 1;

FIG. 18 is a plan view of the seventh rotating part of FIG. 17;

FIG. 19 is a perspective view of the tile of FIG. 1; and,

FIG. 20 is a plan view of the tile of FIG. 19.

1 Claim, 12 Drawing Sheets



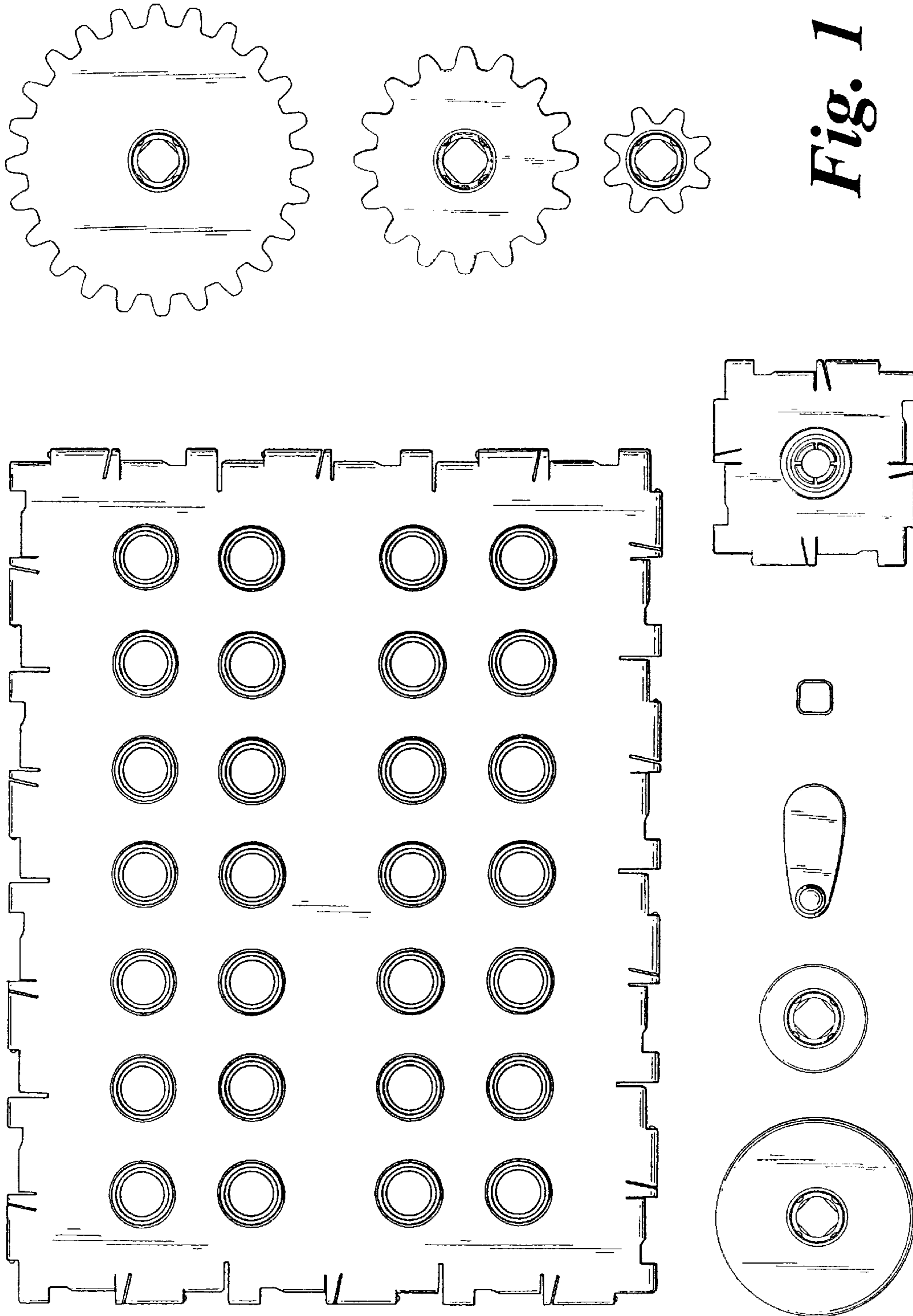


Fig. 1

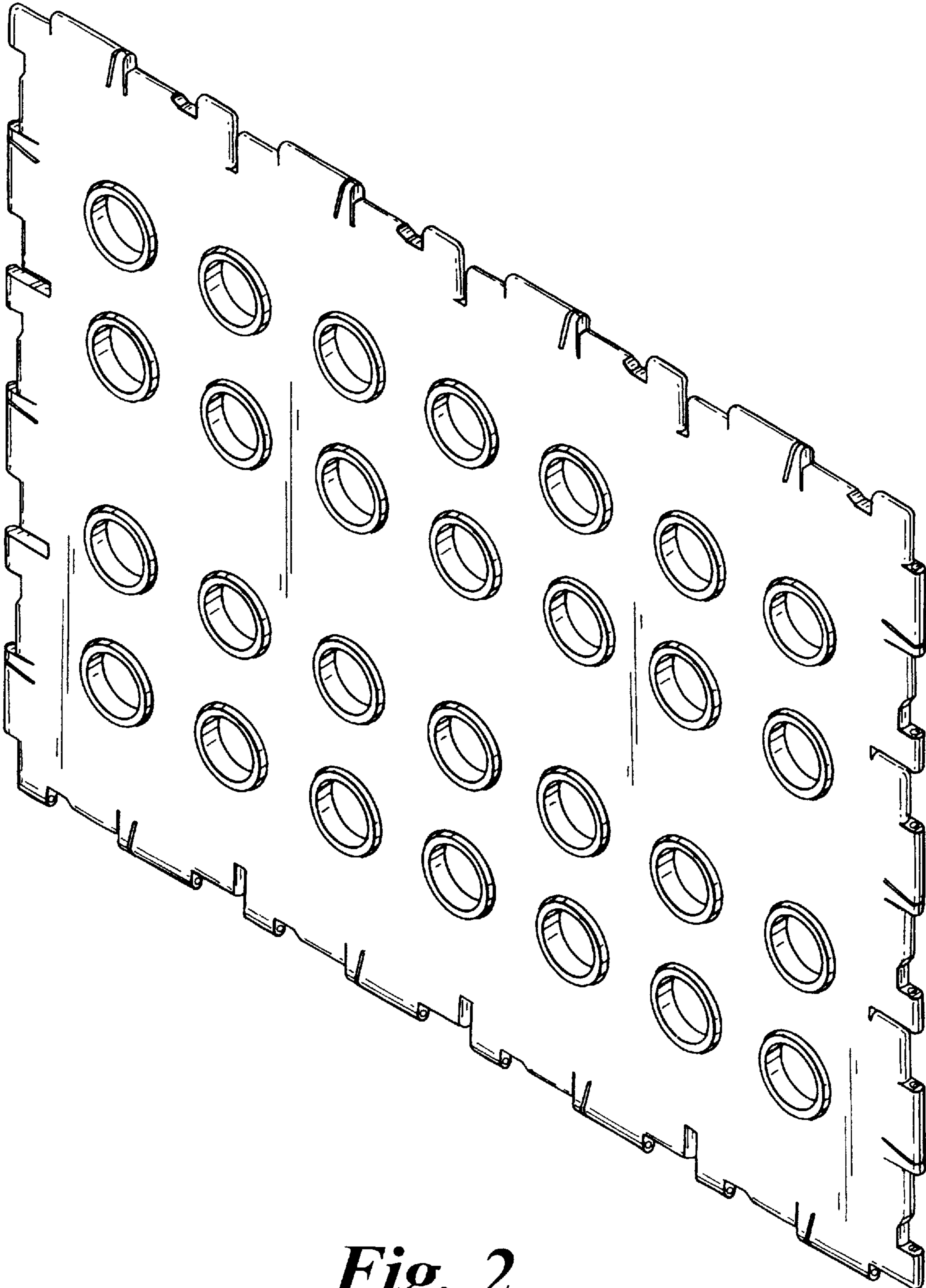


Fig. 2

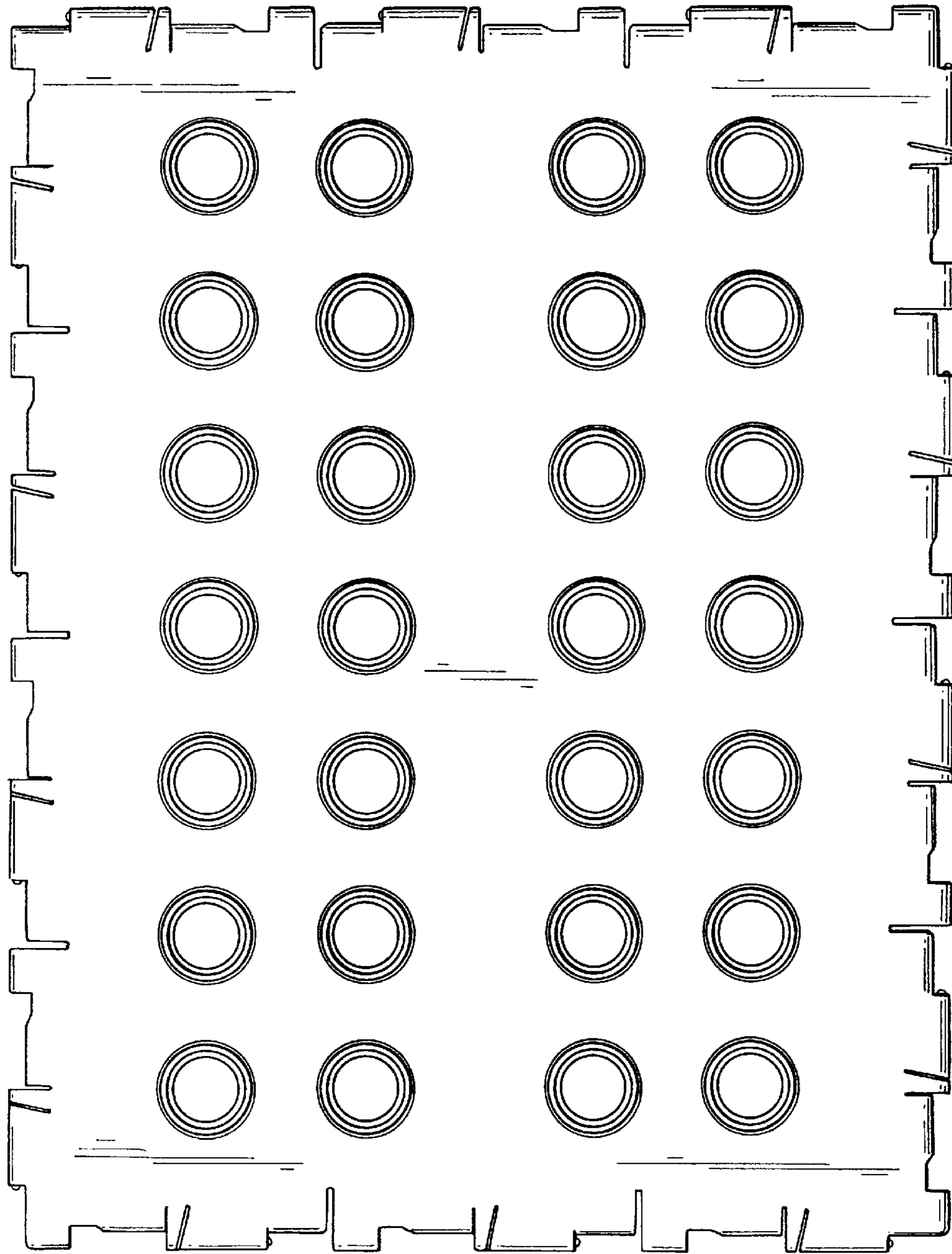


Fig. 3

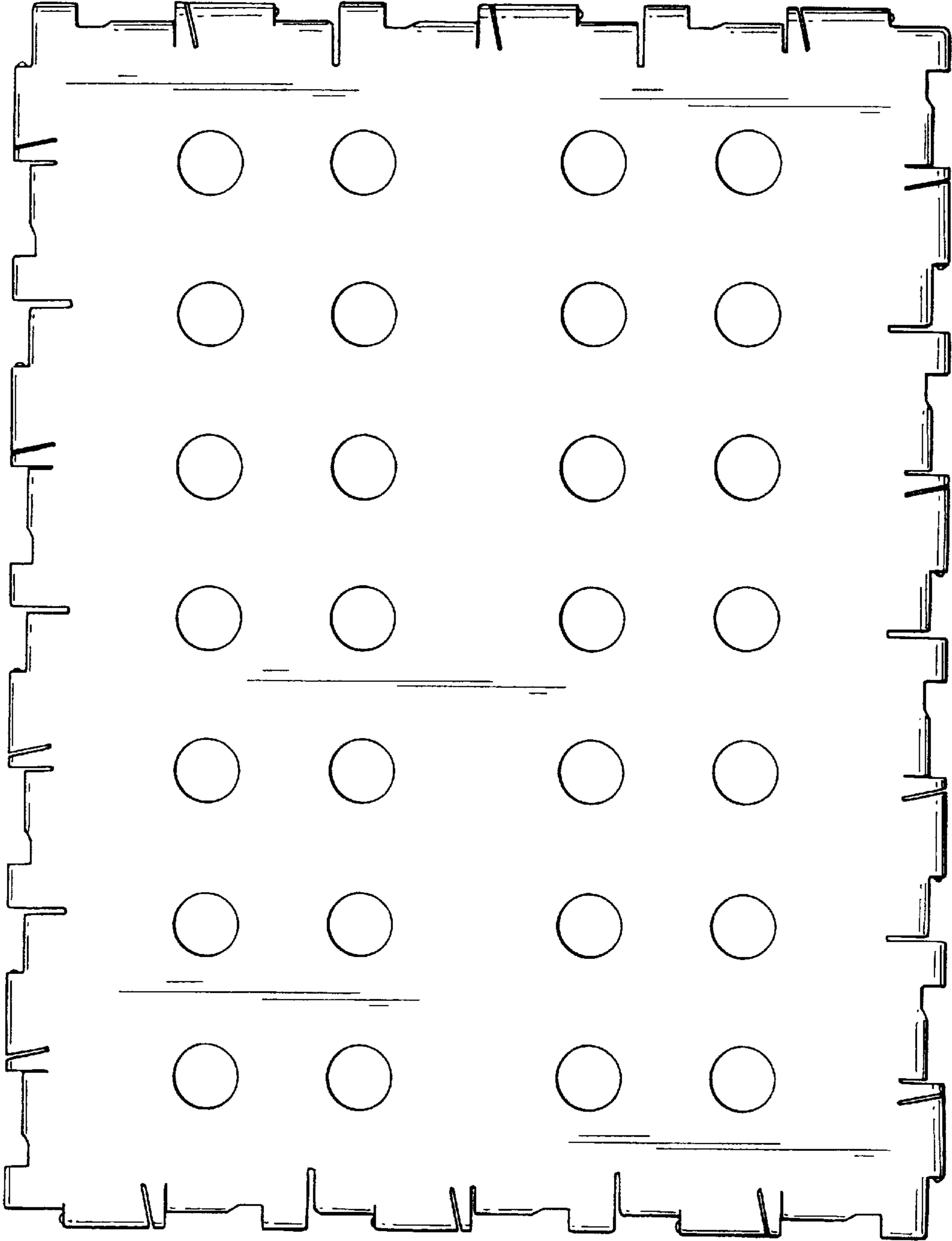


Fig. 4

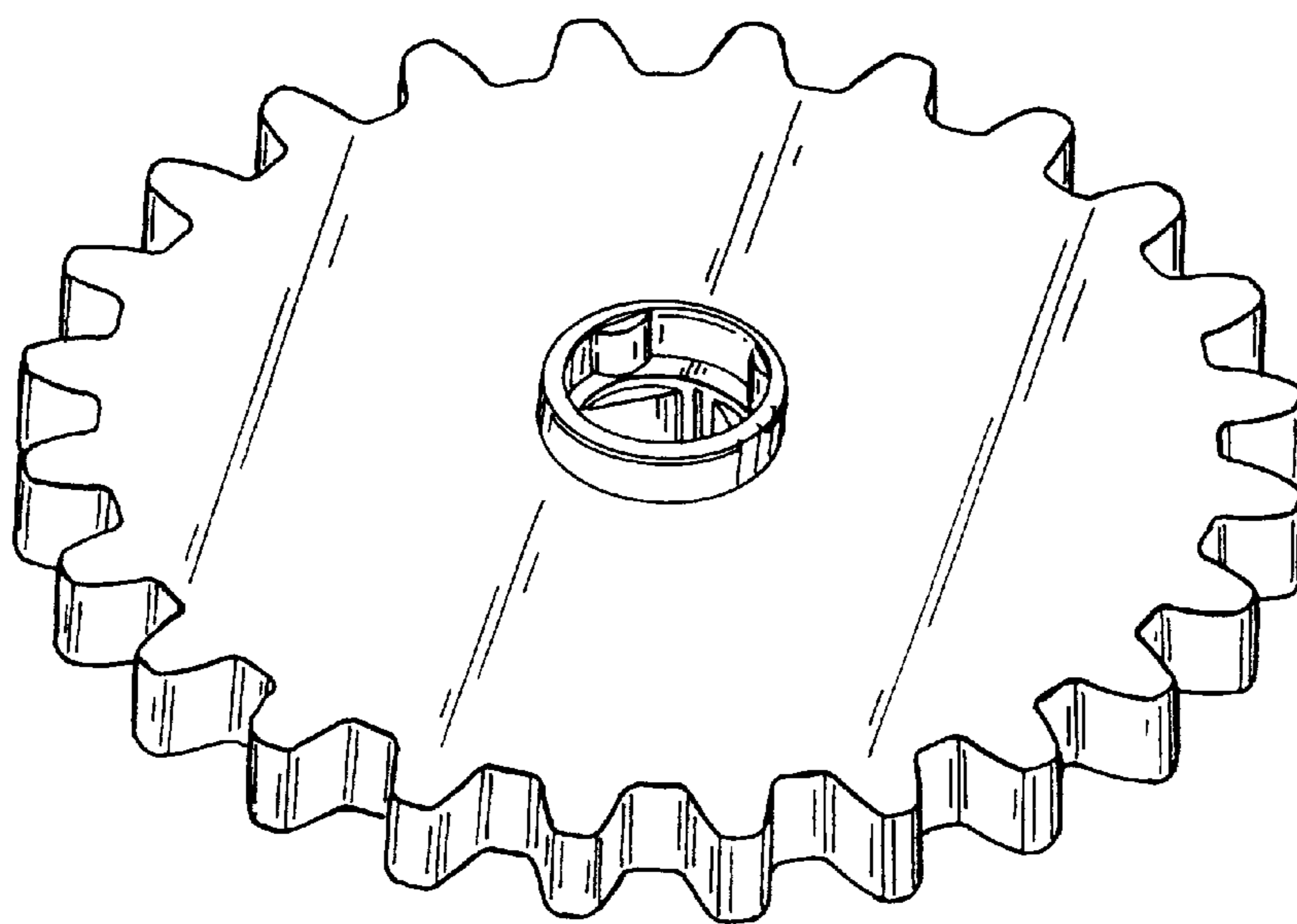


Fig. 5

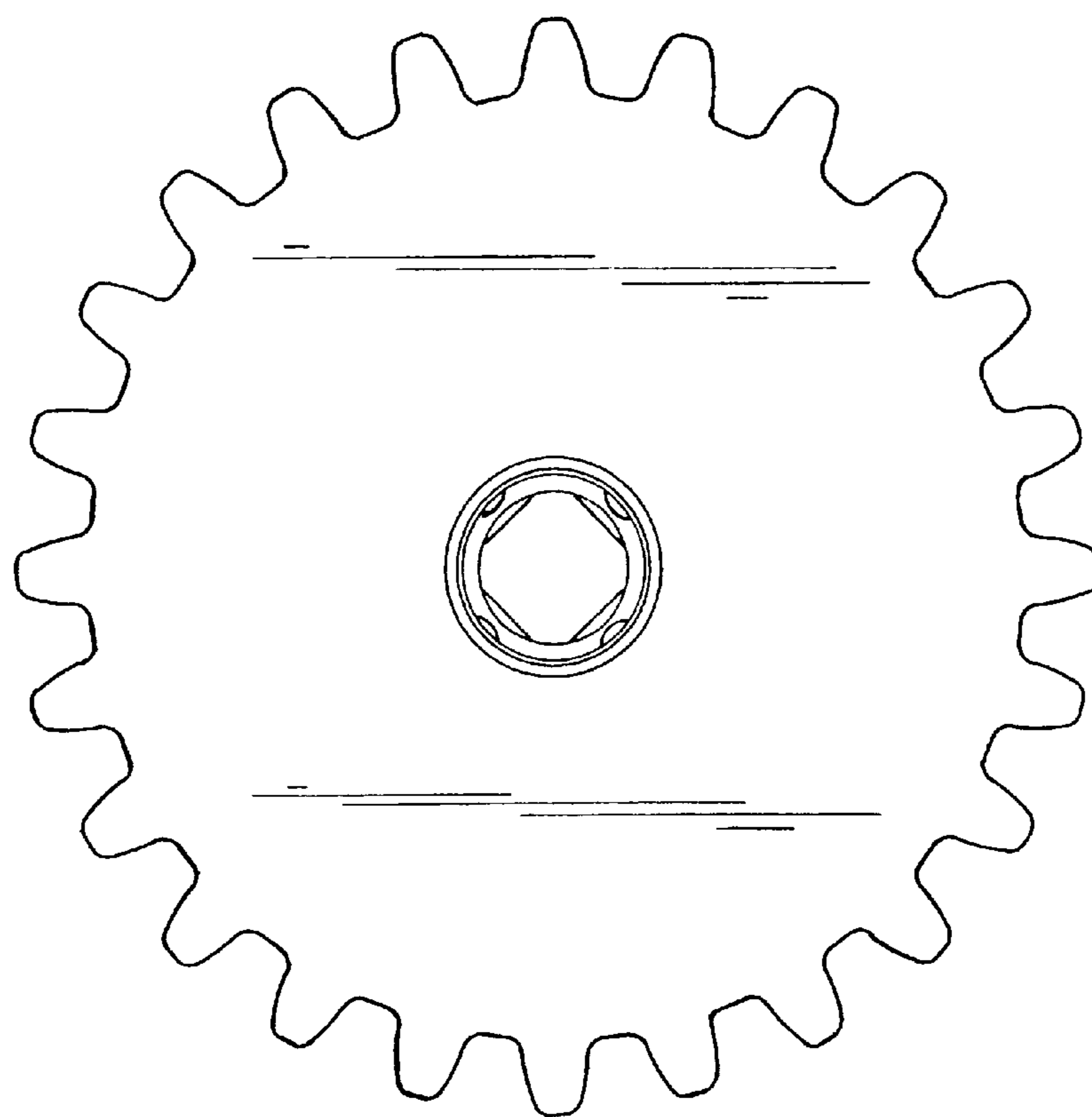


Fig. 6

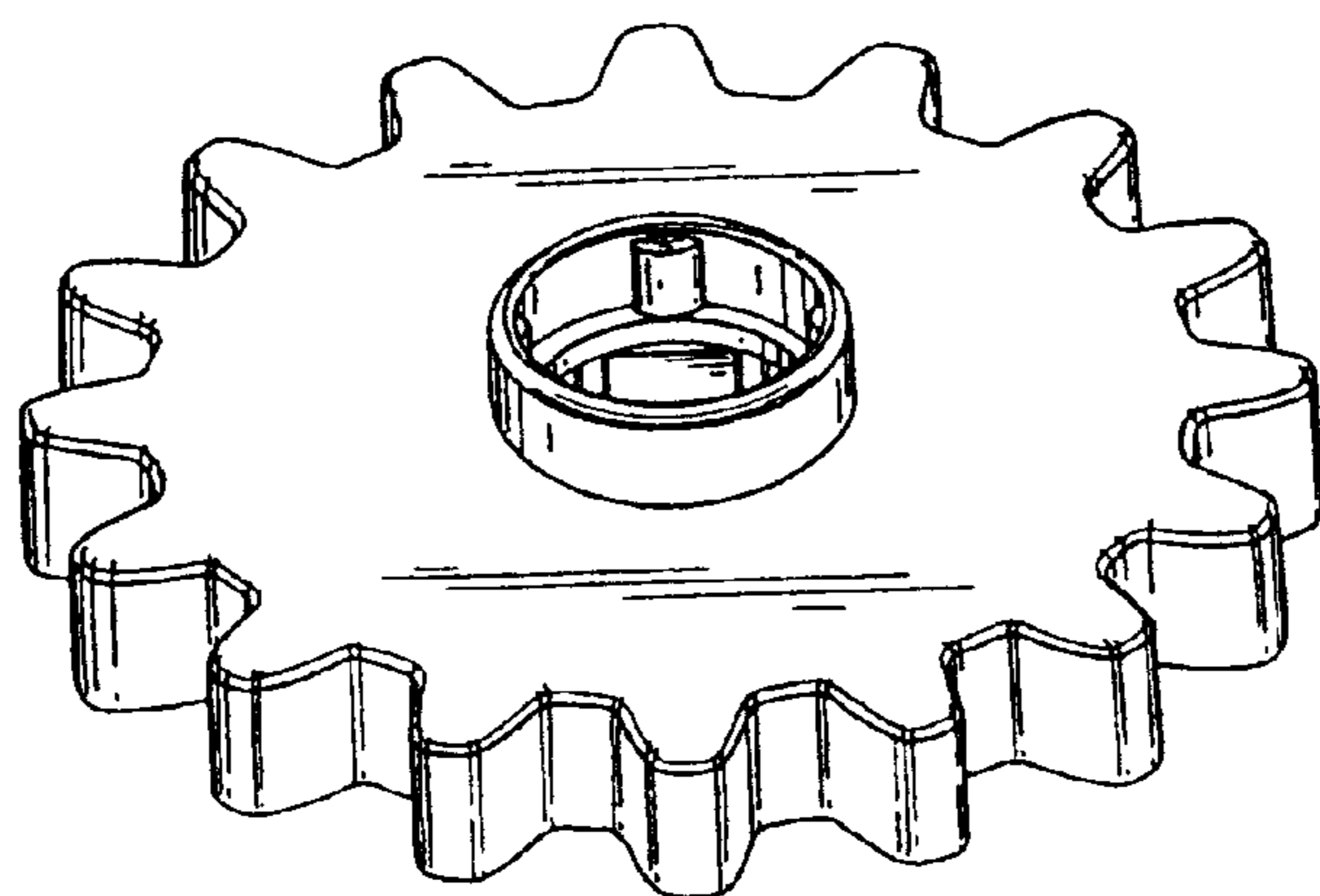


Fig. 7

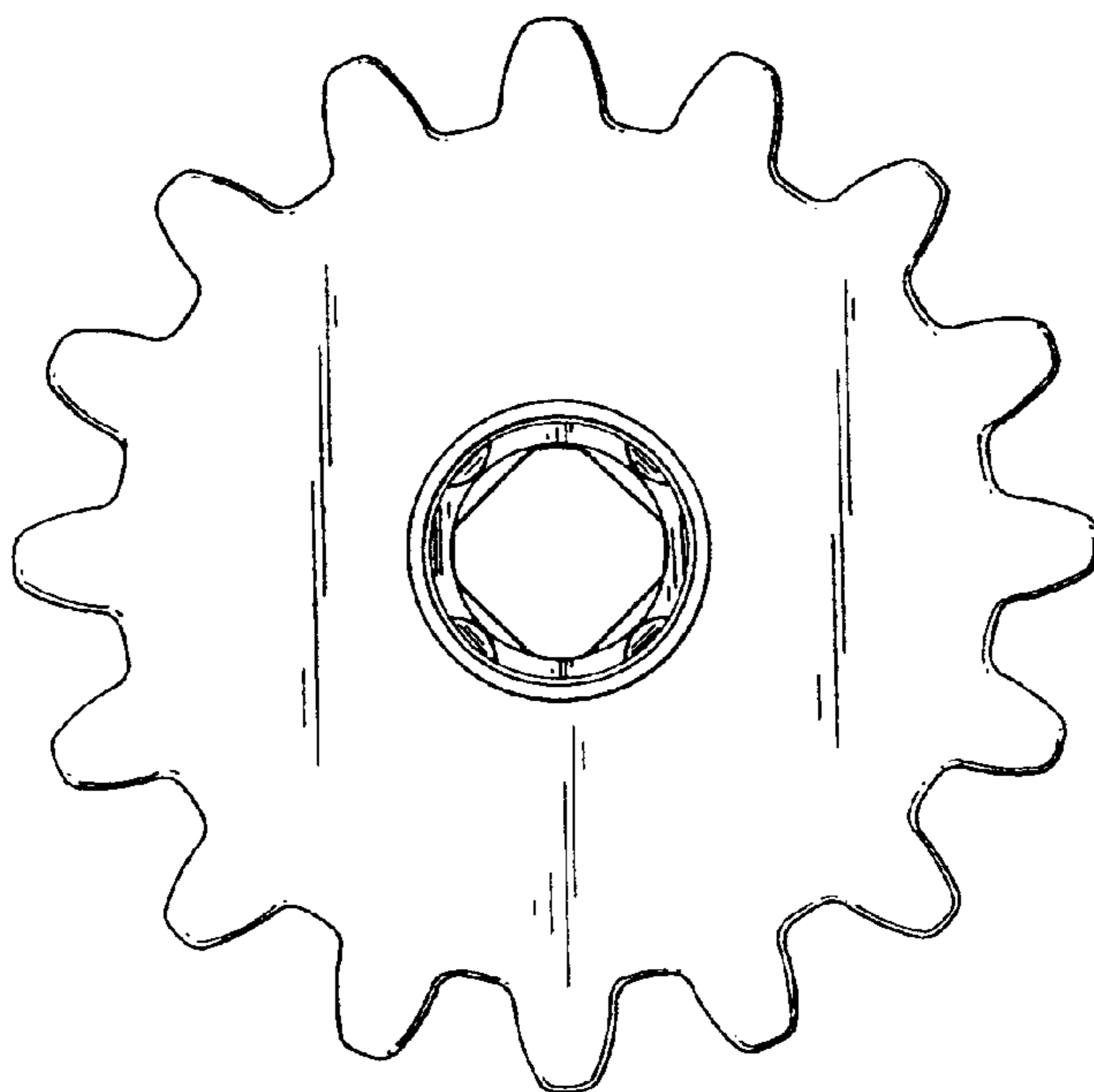


Fig. 8

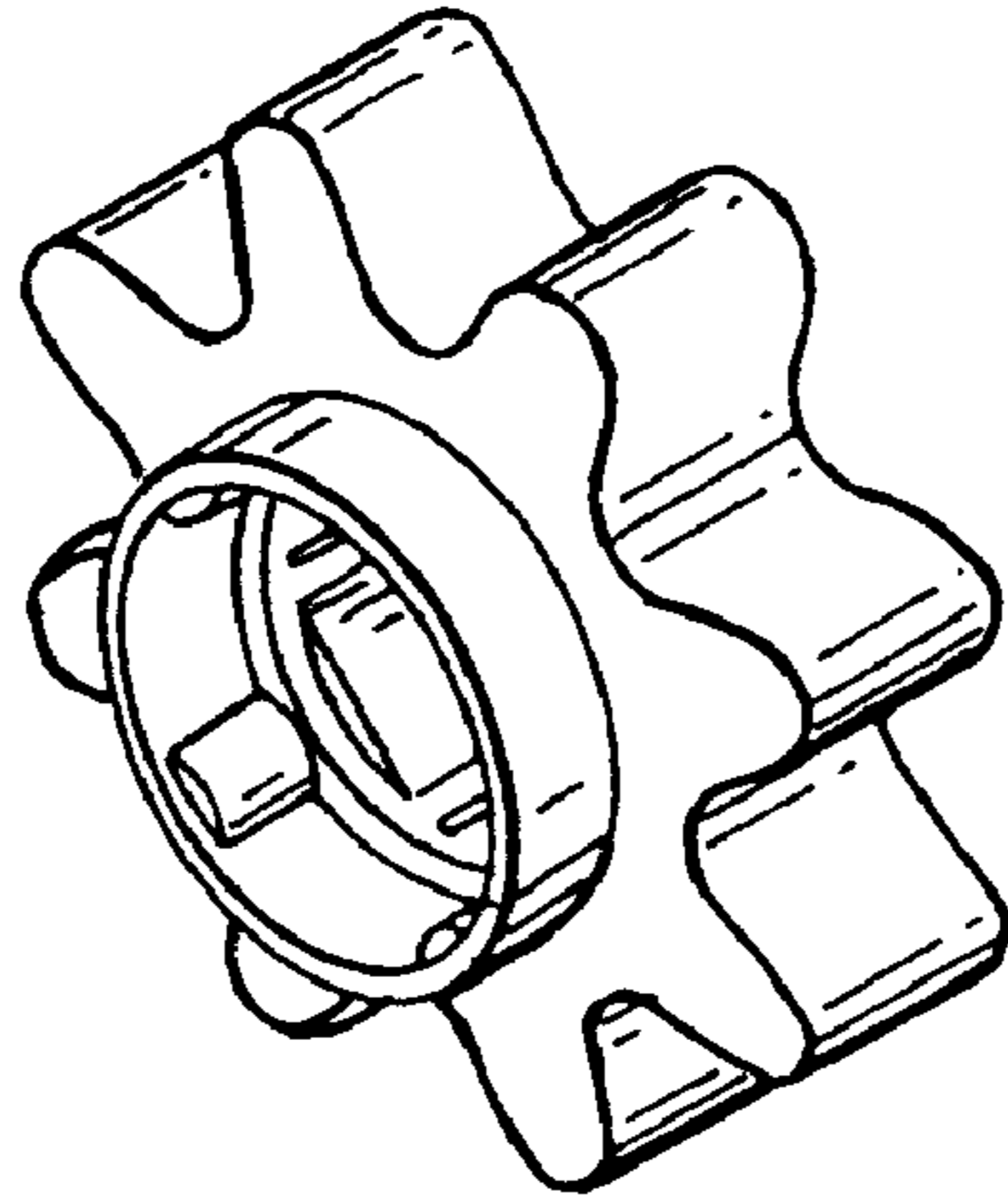


Fig. 9

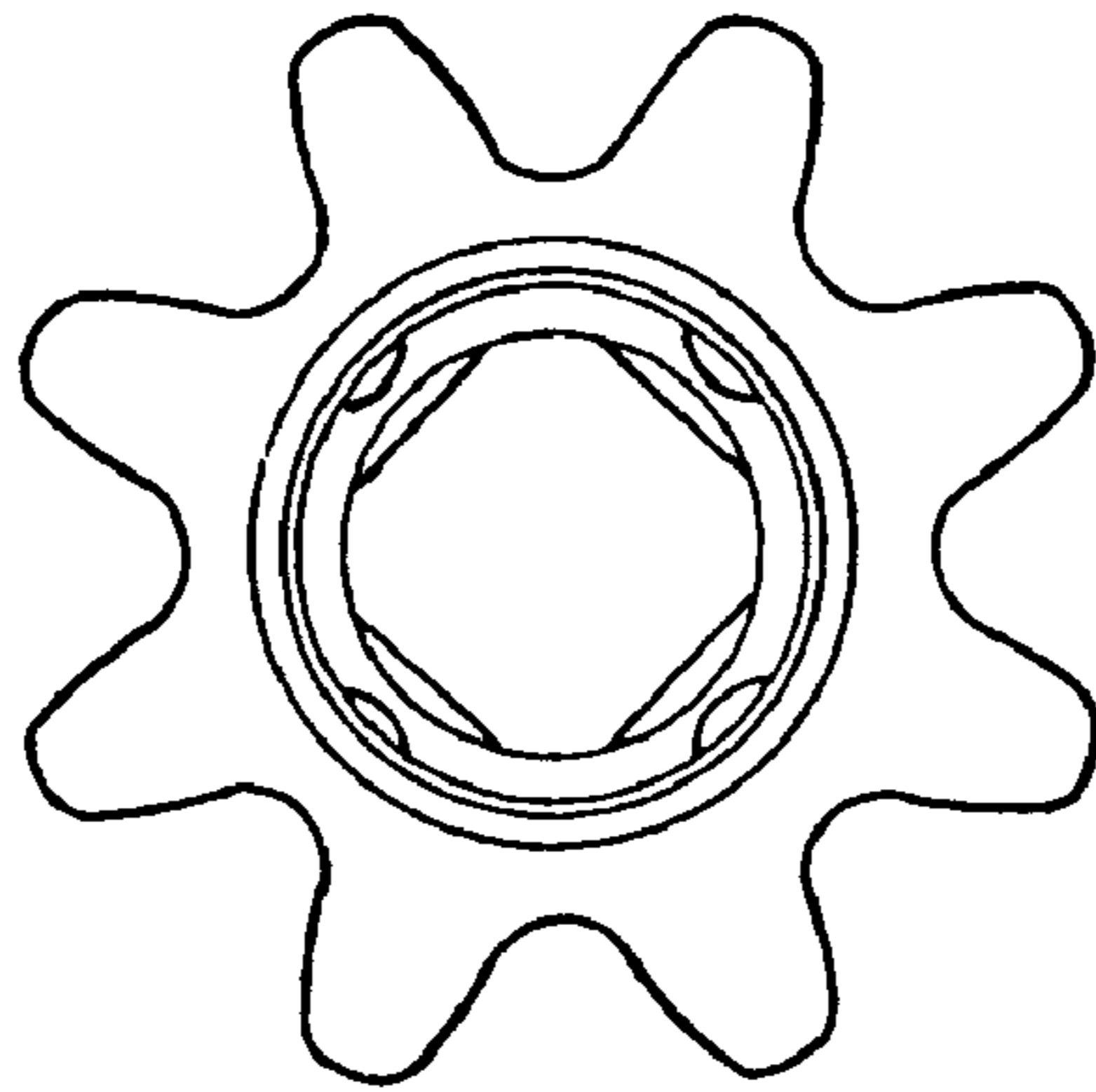


Fig. 10

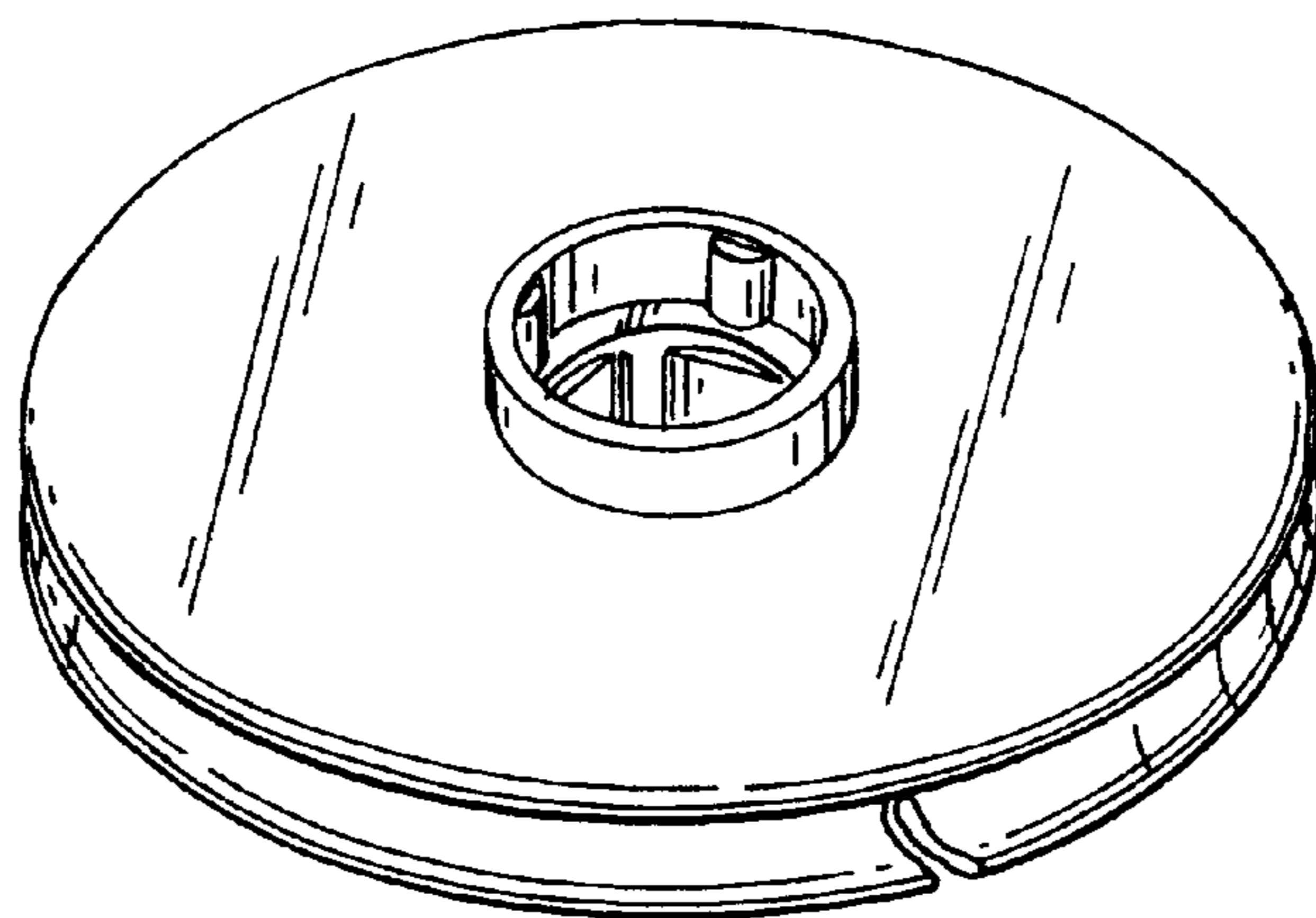


Fig. 11

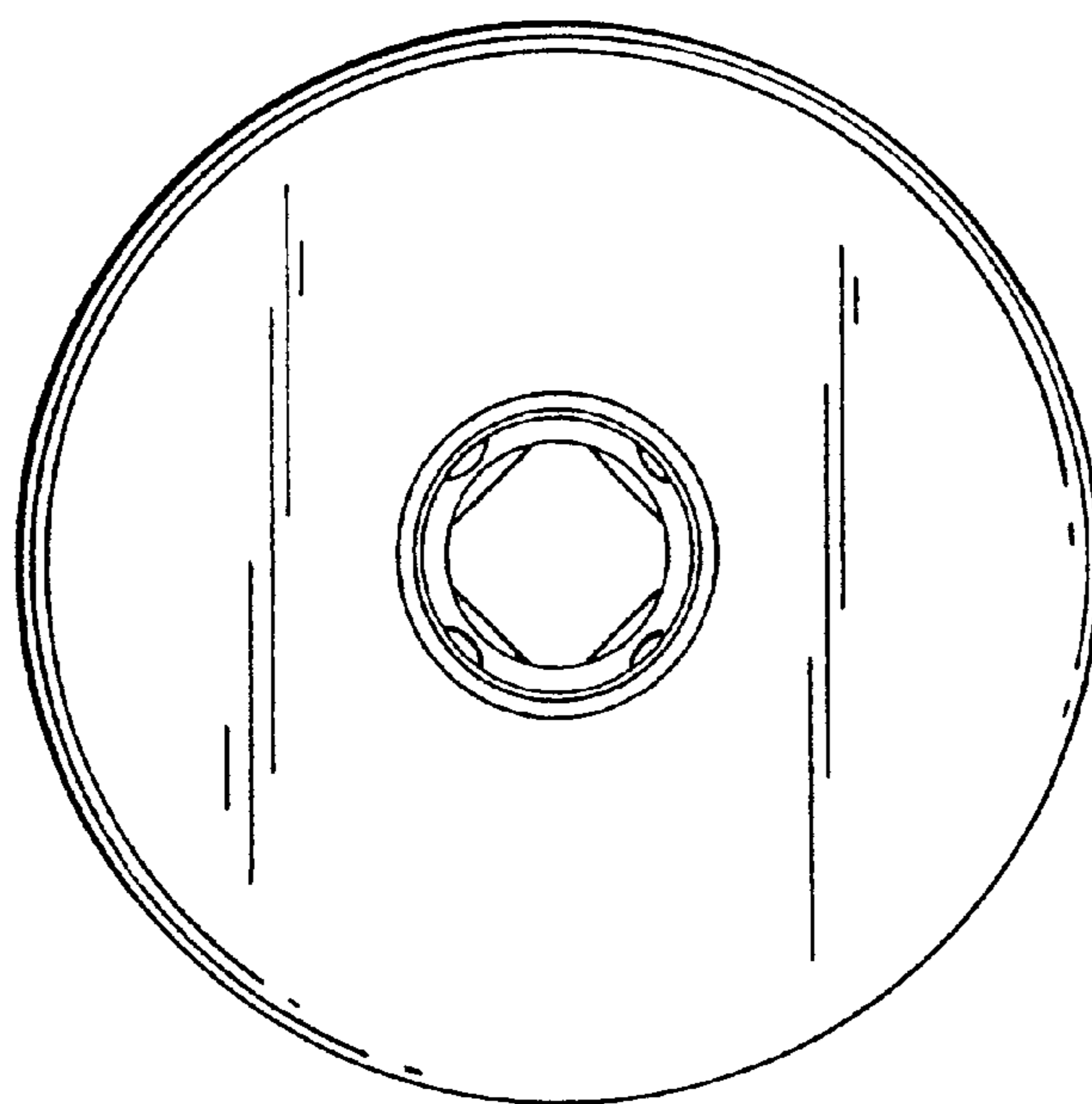


Fig. 12

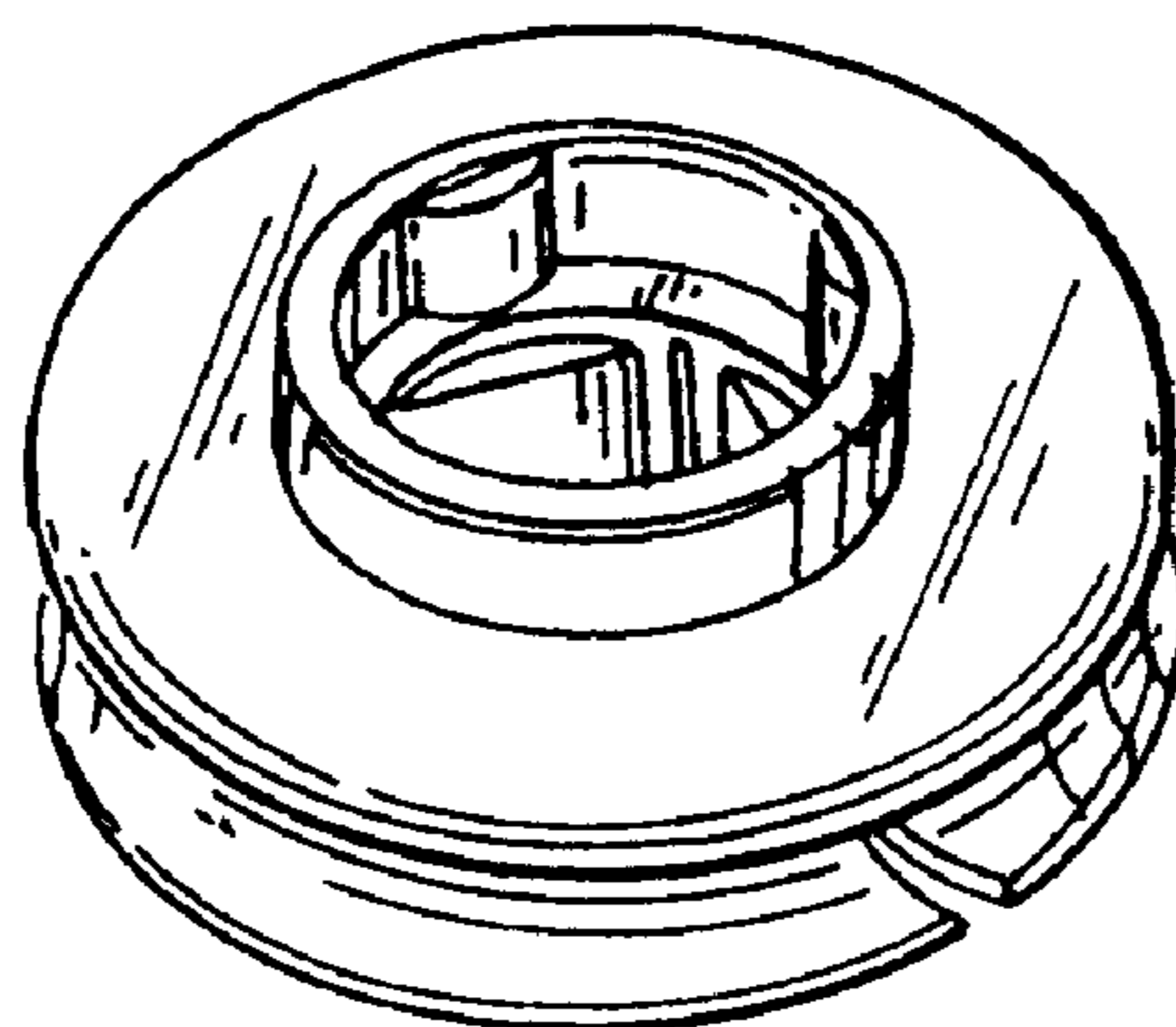


Fig. 13

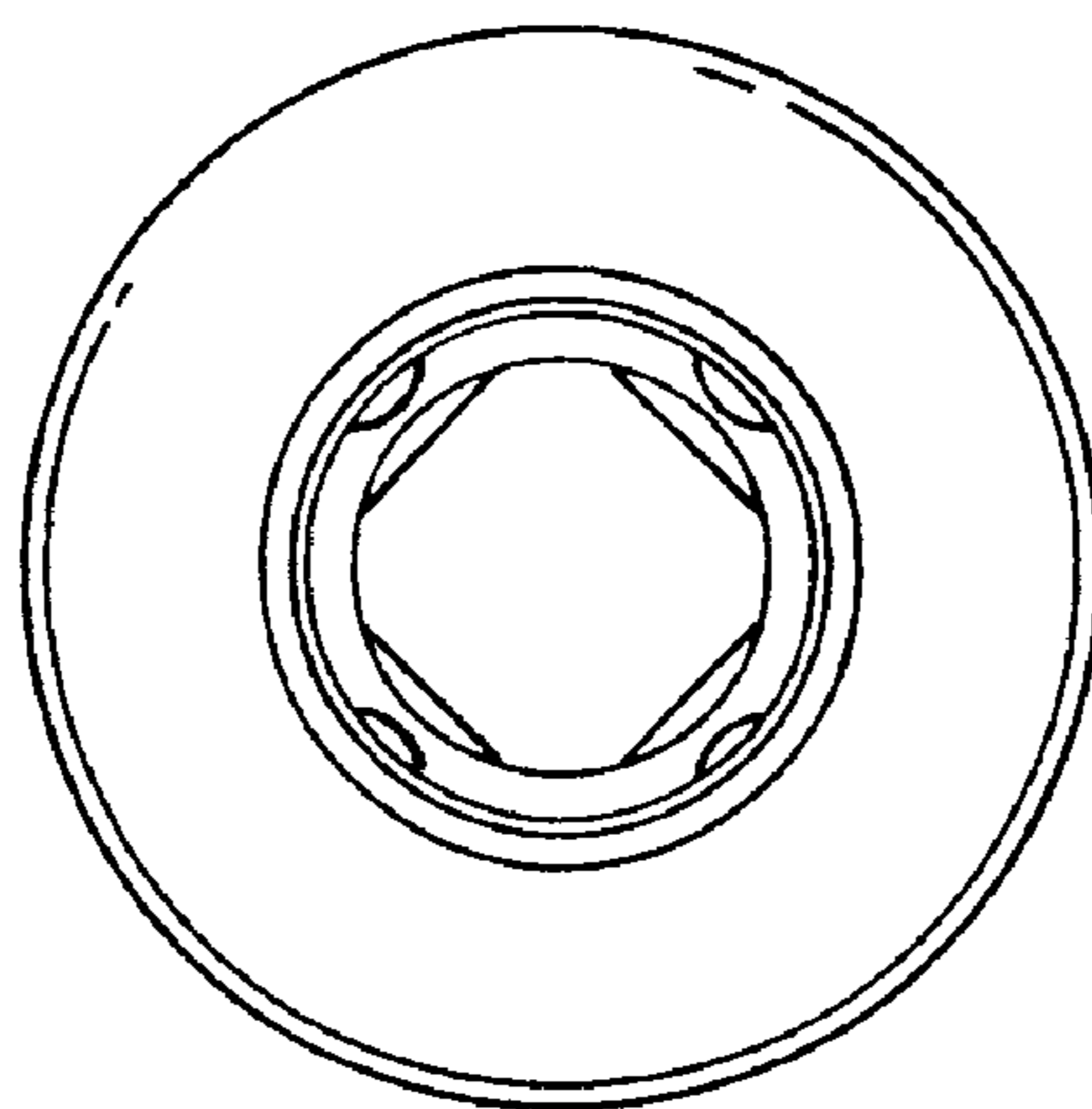


Fig. 14

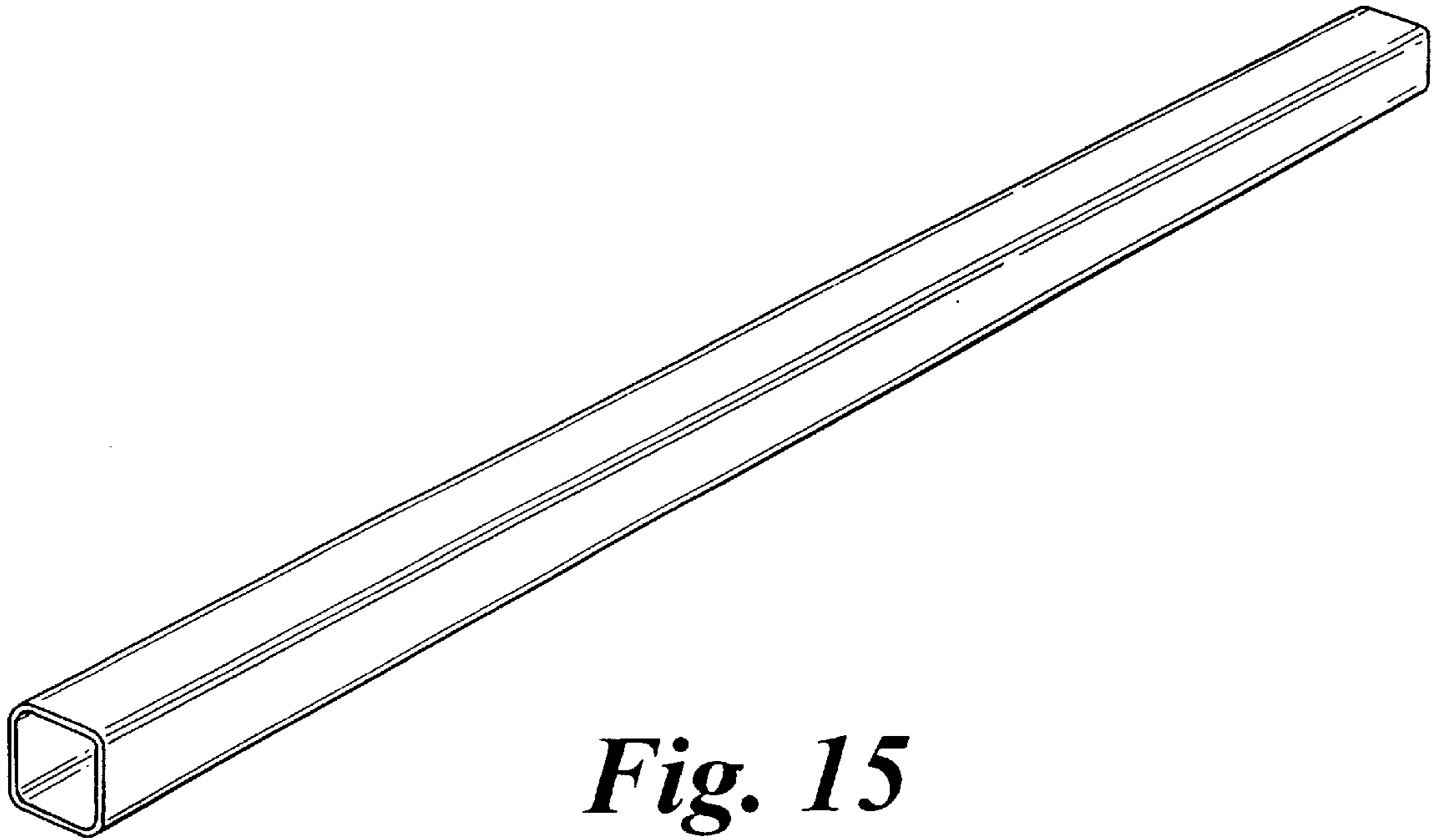


Fig. 15

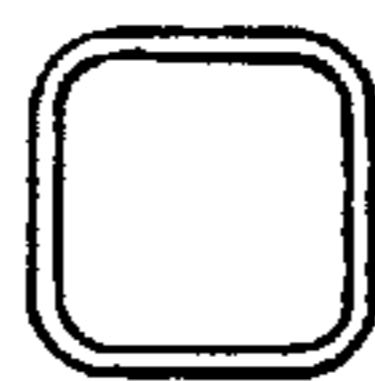


Fig. 16

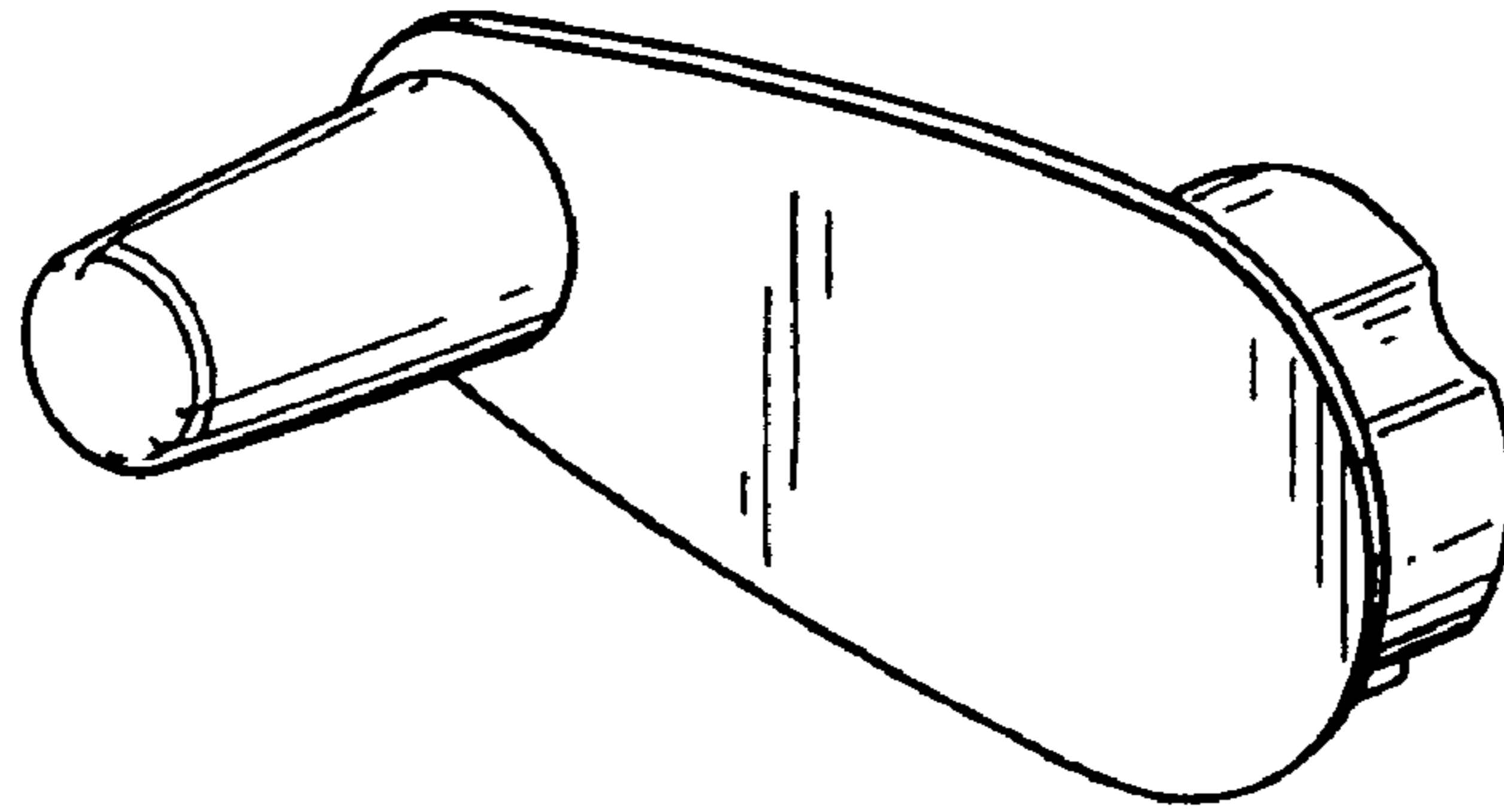


Fig. 17

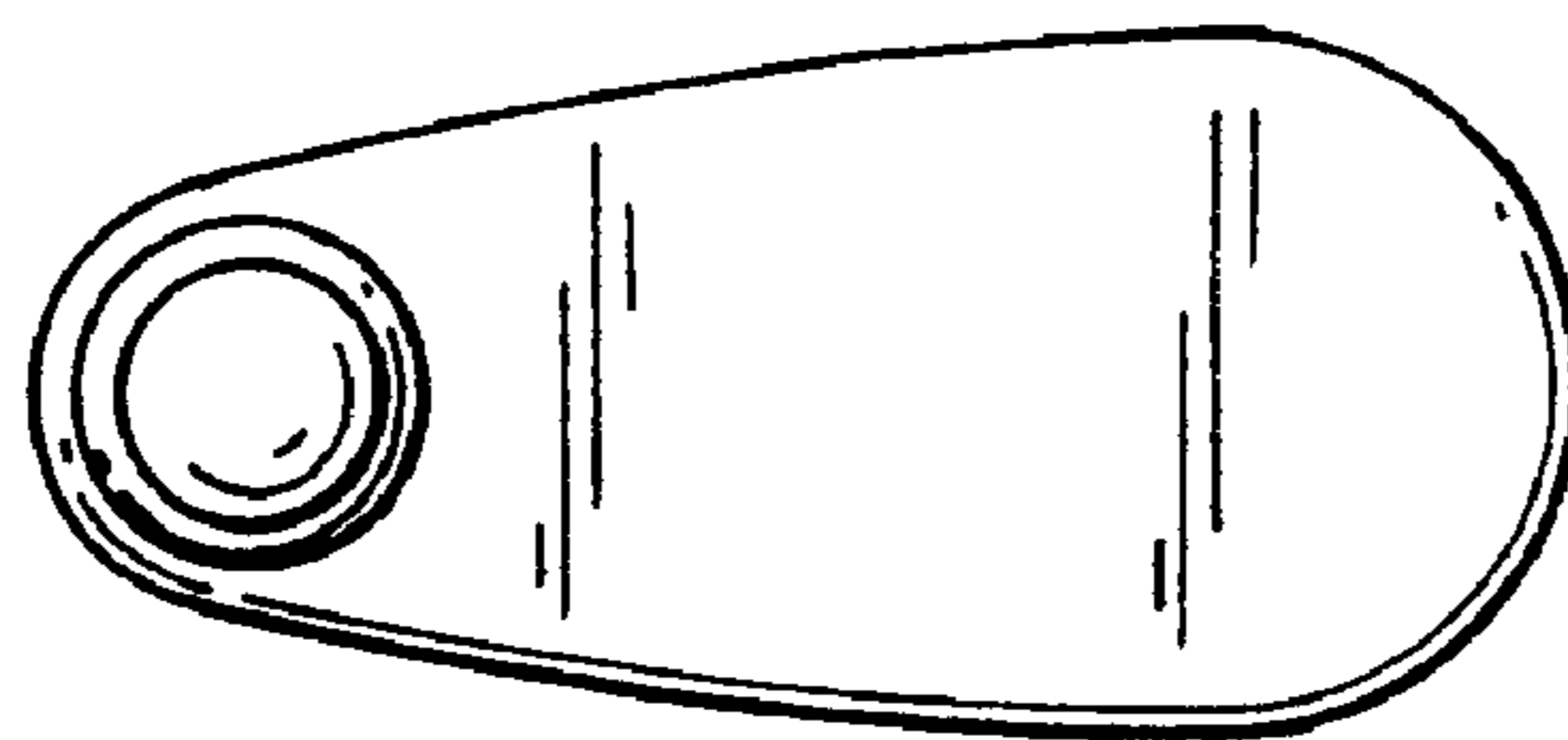


Fig. 18

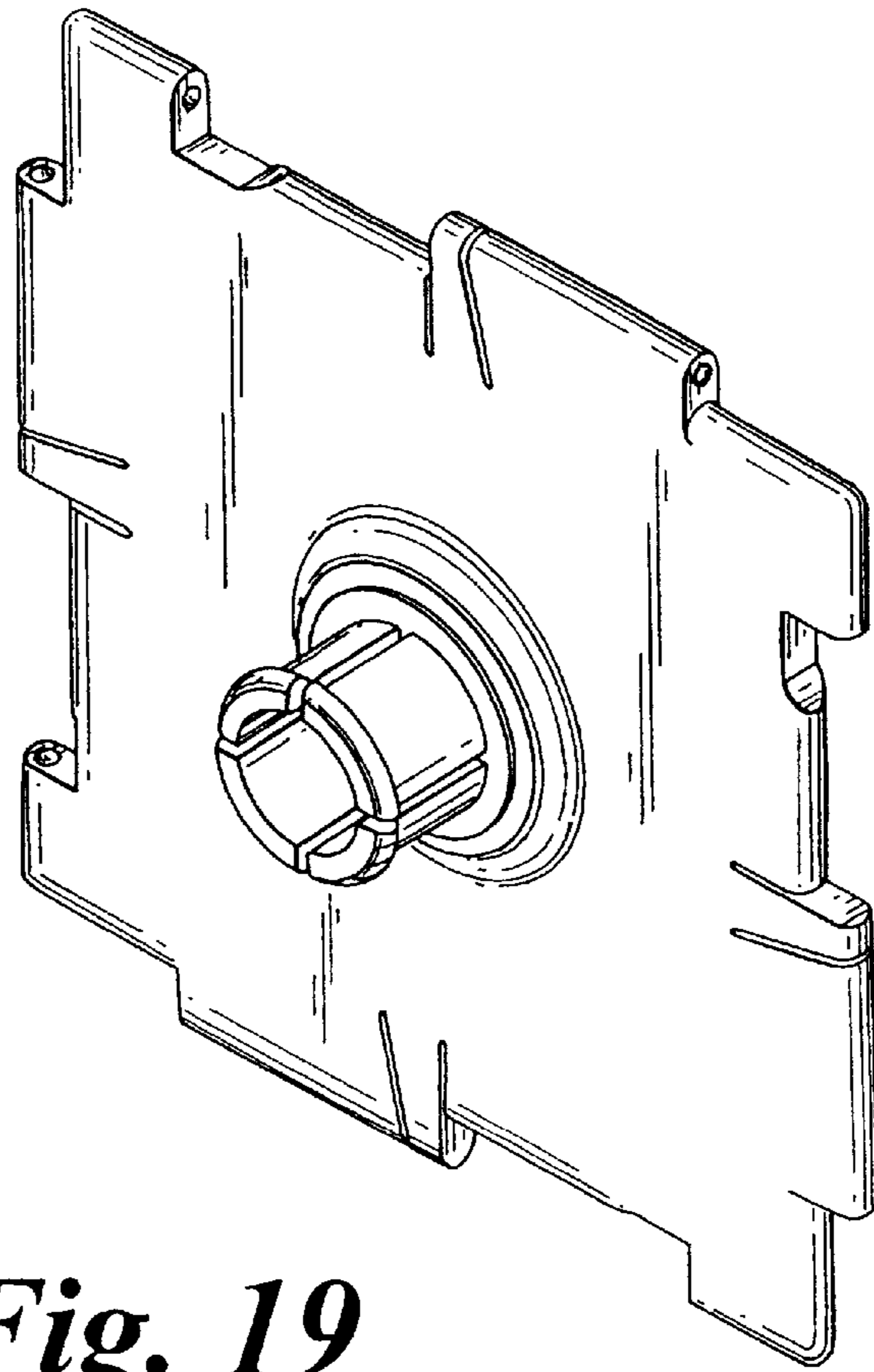


Fig. 19

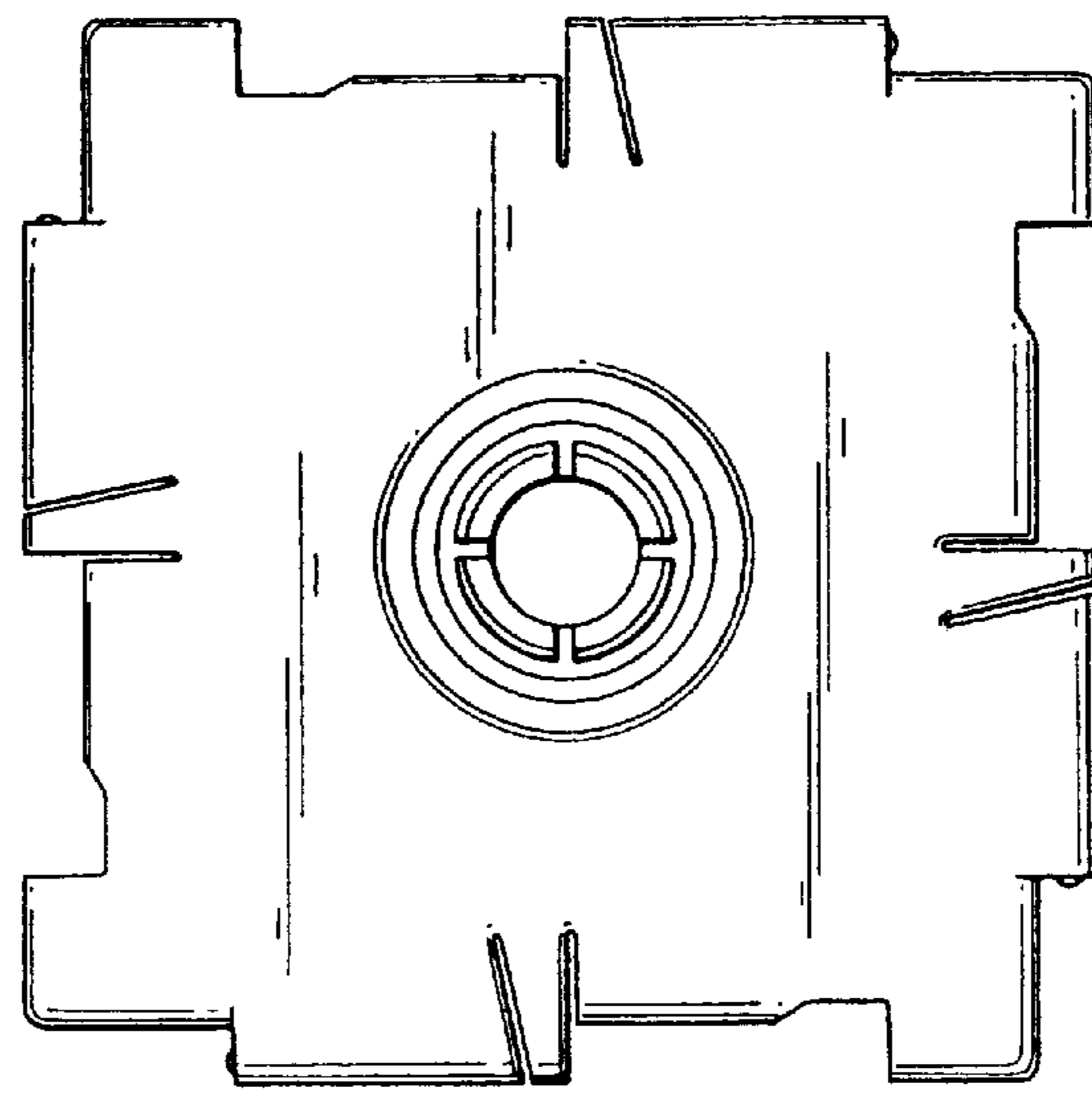


Fig. 20