



US00D538345S

(12) **United States Design Patent**
Oi

(10) **Patent No.:** **US D538,345 S**

(45) **Date of Patent:** **** Mar. 13, 2007**

(54) **CLIP OF WRITING INSTRUMENT**

(75) Inventor: **Yukiko Oi**, Tokyo (JP)

(73) Assignee: **Tombow Pencil Co., Ltd.**, Tokyo (JP)

(**) Term: **14 Years**

(21) Appl. No.: **29/233,854**

(22) Filed: **Jul. 12, 2005**

(30) **Foreign Application Priority Data**

Jan. 24, 2005 (JP) 2005-001636

(51) **LOC (8) Cl.** **19-06**

(52) **U.S. Cl.** **D19/56**

(58) **Field of Classification Search** D19/36,
D19/37, 41-51, 54-57; 24/11 R, 11 F, 11 P;
401/52, 99, 100, 104, 105, 106, 107, 108,
401/109, 192, 195, 243-247

See application file for complete search history.

(56) **References Cited**

U.S. PATENT DOCUMENTS

1,662,073 A * 3/1928 Mays 24/11 P
D410,031 S * 5/1999 Charriol D19/51

D456,847 S * 5/2002 Candelora et al. D19/57
D462,717 S * 9/2002 Rommel D19/56
D508,715 S * 8/2005 Rommel D19/43
D513,766 S * 1/2006 Cetera D19/36

* cited by examiner

Primary Examiner—Elizabeth A. Albert

(74) *Attorney, Agent, or Firm*—Birch, Stewart, Kolasch and Birch, LLP

(57) **CLAIM**

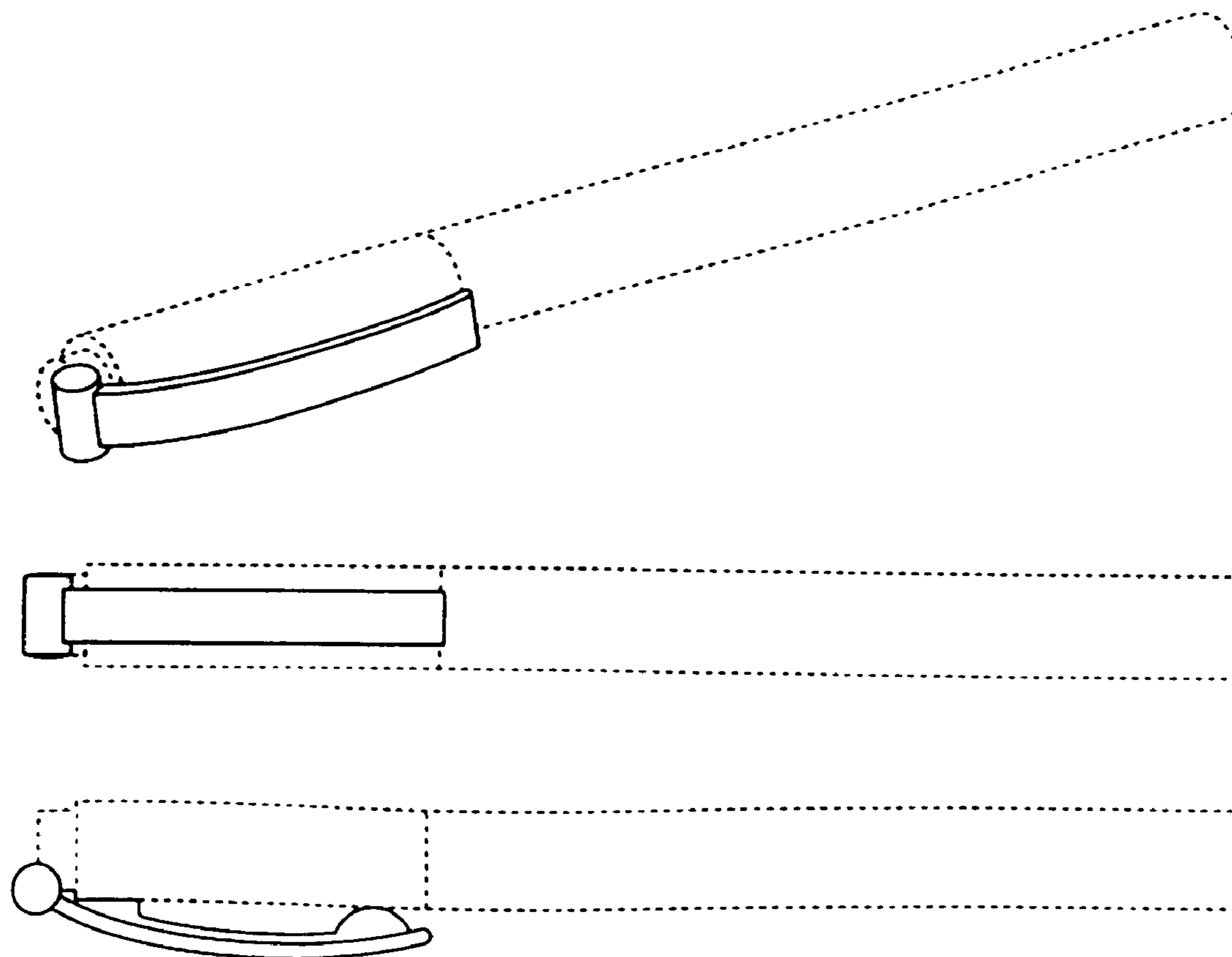
The ornamental design for a clip of writing instrument, as shown and described.

DESCRIPTION

FIG. 1 is a perspective view of the clip of writing instrument showing my new design;
FIG. 2 is a front view thereof;
FIG. 3 is a rear view thereof;
FIG. 4 is a right side view thereof;
FIG. 5 is a left side view thereof;
FIG. 6 is a top view thereof; and,
FIG. 7 is a bottom view thereof.

The broken line showing of FIGS. 1-7 is for illustrative purposes only and forms no part of the claimed design.

1 Claim, 2 Drawing Sheets



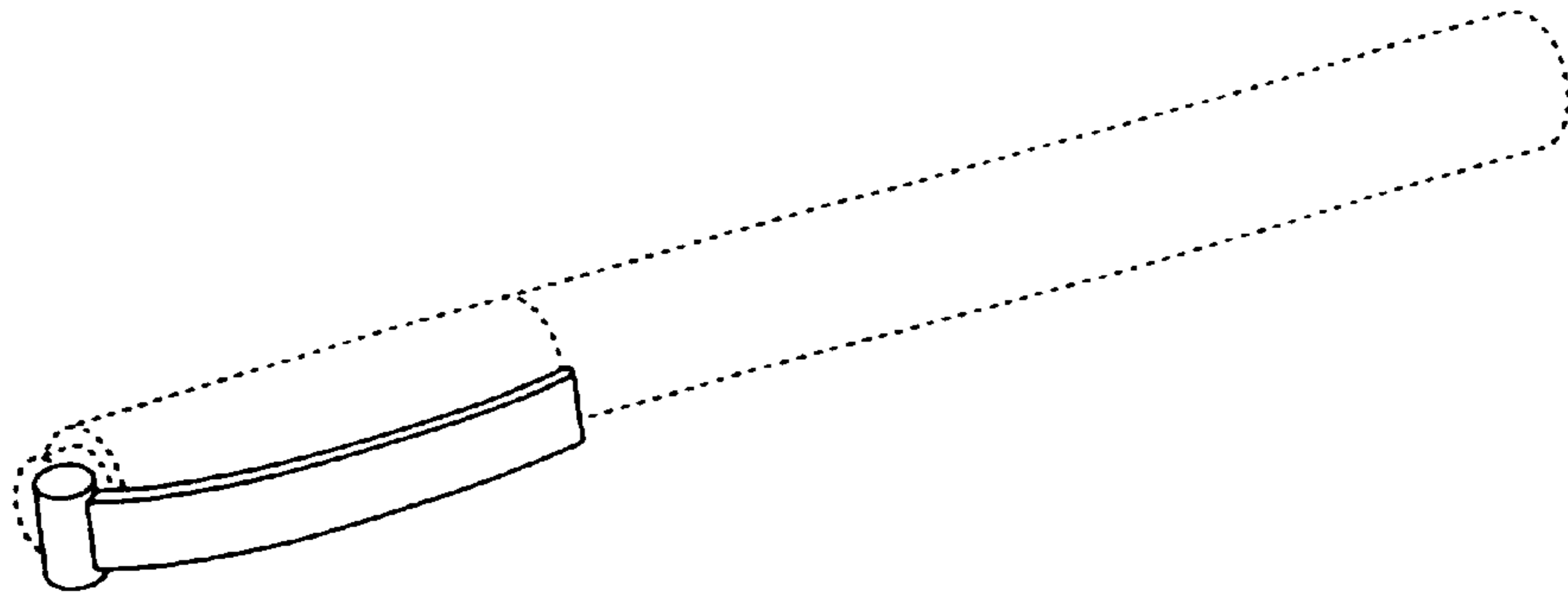


Fig. 1



Fig. 2



Fig. 3

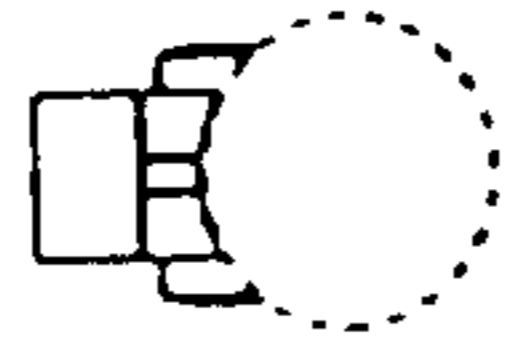


Fig. 4

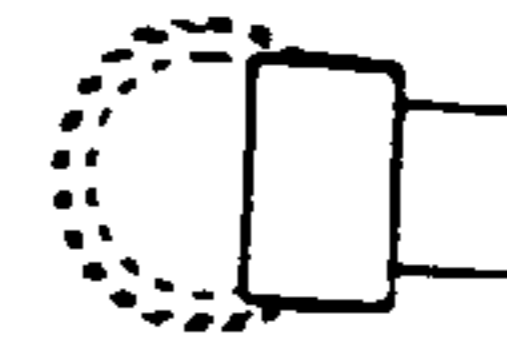


Fig. 5

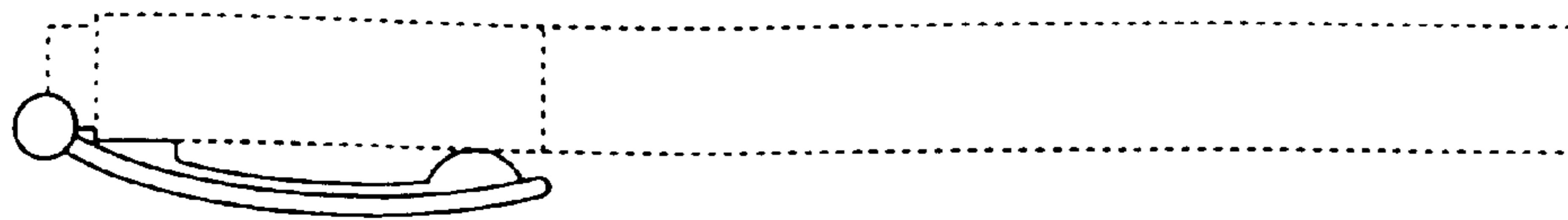


Fig. 6

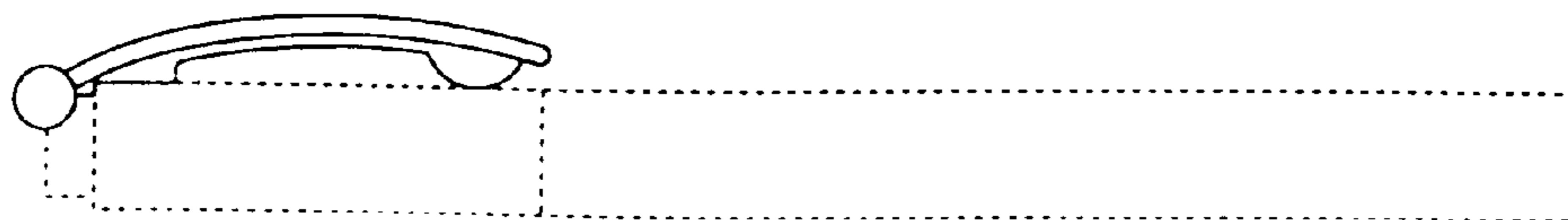


Fig. 7