



US00D538343S

(12) **United States Design Patent**  
**Morton et al.**

(10) **Patent No.:** **US D538,343 S**  
(45) **Date of Patent:** **\*\* Mar. 13, 2007**

(54) **WRITING INSTRUMENT**

FOREIGN PATENT DOCUMENTS

(75) Inventors: **Timothy J. Morton**, Chicago, IL (US);  
**Melanie Conklin**, Chicago, IL (US);  
**Gilberto Cavada, Jr.**, Melrose Park, IL (US);  
**Carolyn Rose**, Chicago, IL (US)

JP H11-342697 5/1998

*Primary Examiner*—Elizabeth A. Albert  
(74) *Attorney, Agent, or Firm*—Marshall, Gerstein & Borun LLP

(73) Assignee: **Sanford, L.P.**, Freeport, IL (US)

(57) **CLAIM**

(\*\*) Term: **14 Years**

The ornamental design for a “writing instrument,” as shown and described.

(21) Appl. No.: **29/234,146**

**DESCRIPTION**

(22) Filed: **Jul. 13, 2005**

(51) **LOC (8) Cl.** ..... **19-06**

(52) **U.S. Cl.** ..... **D19/50**

(58) **Field of Classification Search** ..... D19/36,  
D19/37, 41–51, 54–57; 24/11 R, 11 F, 11 P;  
401/52, 99, 100, 104, 105, 106, 107, 108,  
401/109, 192, 195, 243–247

See application file for complete search history.

FIG. 1 is a perspective view of the first embodiment of a writing instrument showing our new design;

FIG. 2 is a front elevational view of the writing instrument of FIG. 1;

FIG. 3 is a left side elevational view of the writing instrument of FIG. 1, the right side elevational view being a mirror image thereof;

FIG. 4 is a rear elevational view of the writing instrument of FIG. 1;

FIG. 5 is a top plan view of the writing instrument of FIG. 1;

FIG. 6 is a bottom plan view of the writing instrument of FIG. 1;

FIG. 7 is a perspective view showing a second embodiment of a writing instrument having our new design;

FIG. 8 is a front elevational view of the writing instrument of FIG. 7;

FIG. 9 is a left side elevational view of the writing instrument of FIG. 7, the right side elevational view being a mirror image thereof;

FIG. 10 is a rear elevational view of the writing instrument of FIG. 7;

FIG. 11 is a top plan view of the writing instrument of FIG. 7; and,

FIG. 12 is a bottom plan view of the writing instrument of FIG. 7.

The dashed lines are for illustrative purposes only and form no part of the claimed design.

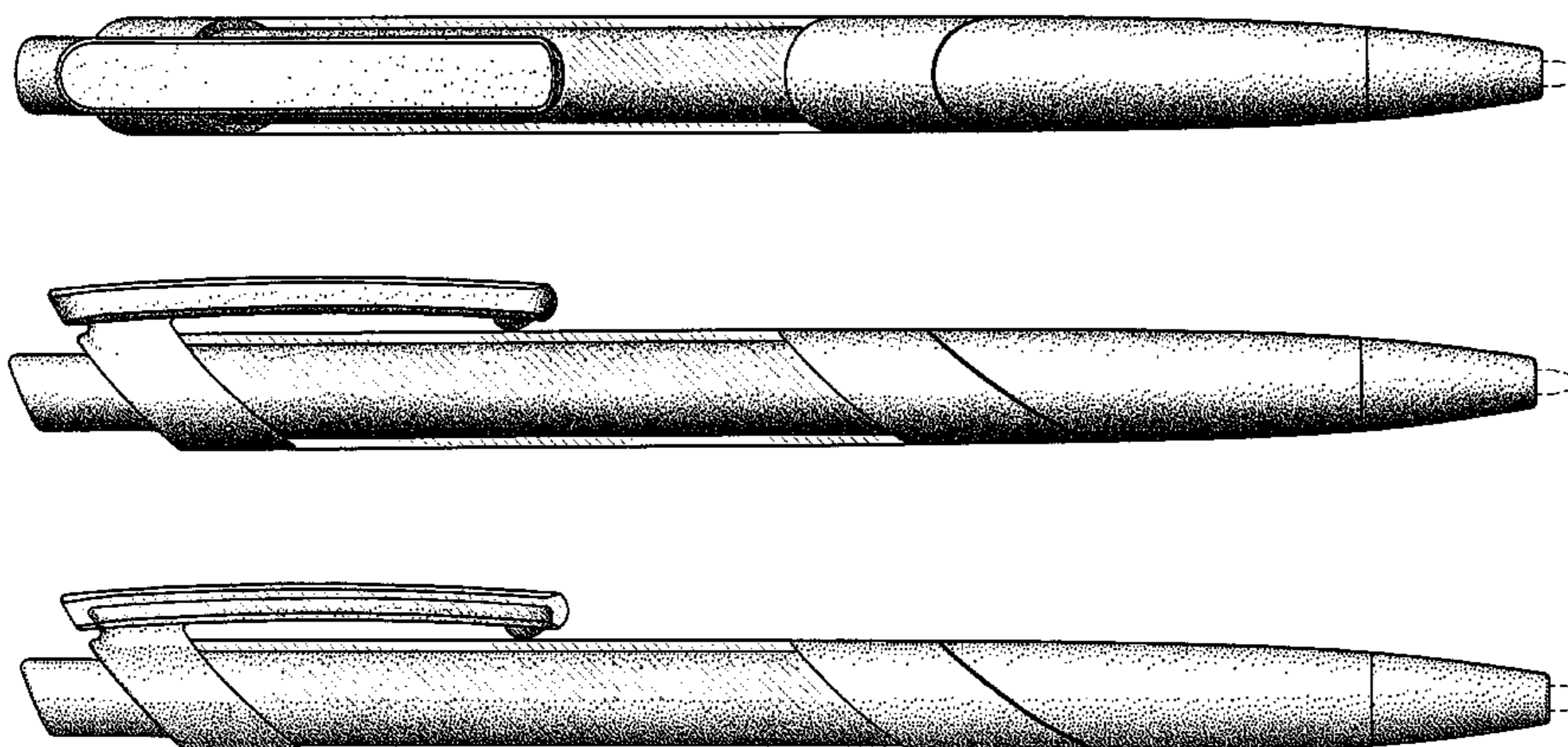
(56) **References Cited**

U.S. PATENT DOCUMENTS

3,246,875 A	4/1966	Hart	254/28
D250,478 S	12/1978	Jahraus	D19/45
D312,096 S	11/1990	Vitrac	D19/51
D330,911 S	11/1992	Tu	D19/51
D332,627 S	1/1993	Anavil et al.	D19/49
D332,963 S	2/1993	Anavil et al.	D19/49
D342,278 S	12/1993	Anavil et al.	D19/49
D342,546 S	12/1993	Song	D19/50
D345,577 S	3/1994	Hohner	D19/48
D351,416 S	10/1994	Oka et al.	D19/48
D354,080 S	1/1995	Chevalier	D19/51
D357,277 S	4/1995	Cappe de Baillon	D19/51
D365,364 S	12/1995	Tseng	D19/50
D388,825 S	1/1998	Kouda	D19/49
D395,674 S	6/1998	Boix Gacia	D19/51
D396,058 S	7/1998	Schmidt et al.	D19/51
D418,541 S	1/2000	Mayer	D19/50
D418,870 S	* 1/2000	Polidoro	D19/43
D443,896 S	6/2001	Briggl et al.	D19/49

(Continued)

**1 Claim, 4 Drawing Sheets**



# US D538,343 S

Page 2

---

## U.S. PATENT DOCUMENTS

D454,589 S	3/2002	Pellissa Beneyto .....	D19/48	D490,852 S	6/2004	Finney et al. ....	D19/51
D456,042 S	4/2002	Versace .....	D19/50	D496,400 S	9/2004	Pellissa Beneyto .....	D19/51
D456,845 S	5/2002	Rommel .....	D19/49	D496,401 S	9/2004	Anand .....	D19/51
D478,125 S	8/2003	Chen .....	D19/50	D501,222 S *	1/2005	De Giusti et al. ....	D19/50
D480,423 S	10/2003	Kung .....	D19/51	D502,507 S *	3/2005	Wang .....	D19/50
D485,574 S	1/2004	Keil .....	D19/50	D508,082 S *	8/2005	Bain et al. ....	D19/51
D485,575 S	1/2004	Lovell .....	D19/51	D510,104 S *	9/2005	Qiu .....	D19/47
D487,114 S	2/2004	Santa Maria et al. ....	D19/50	D527,422 S *	8/2006	Kent .....	D19/57

\* cited by examiner

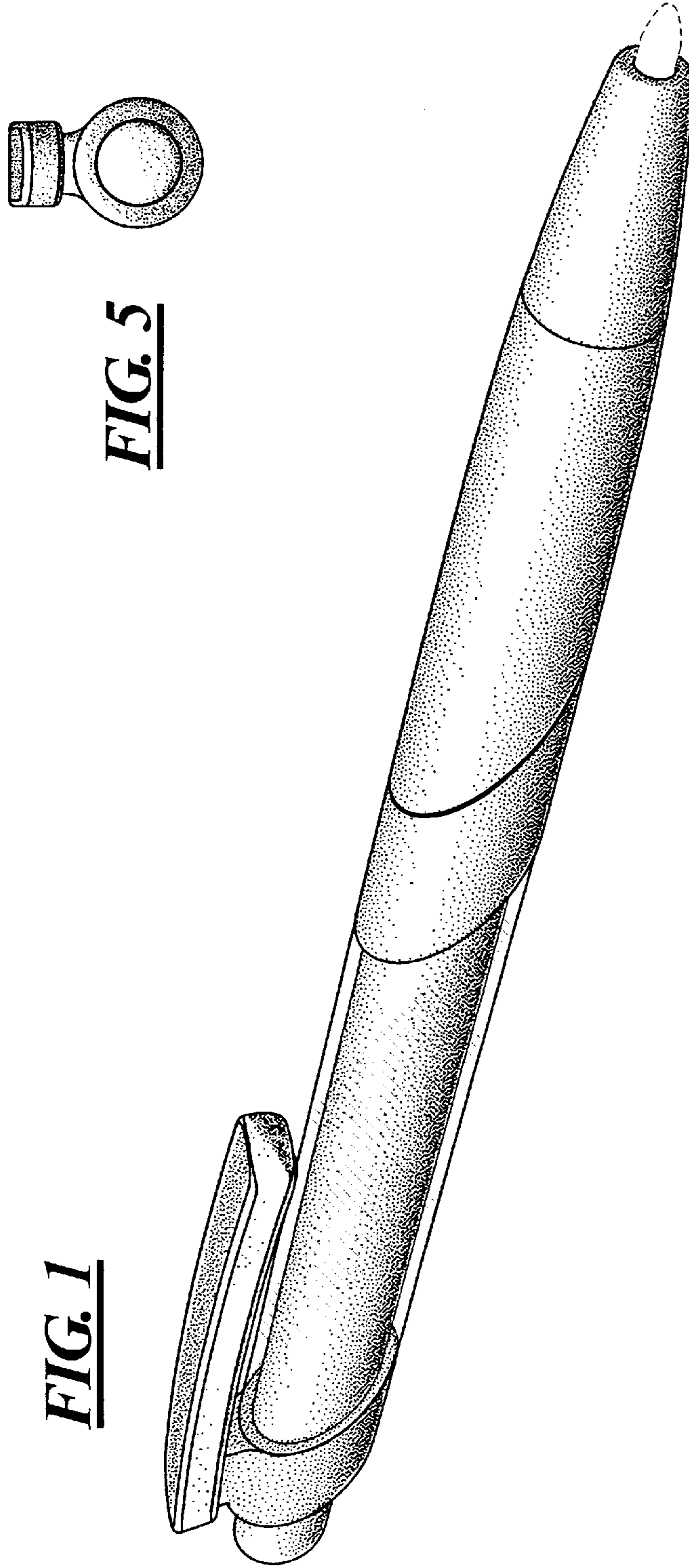


FIG. 1

FIG. 5

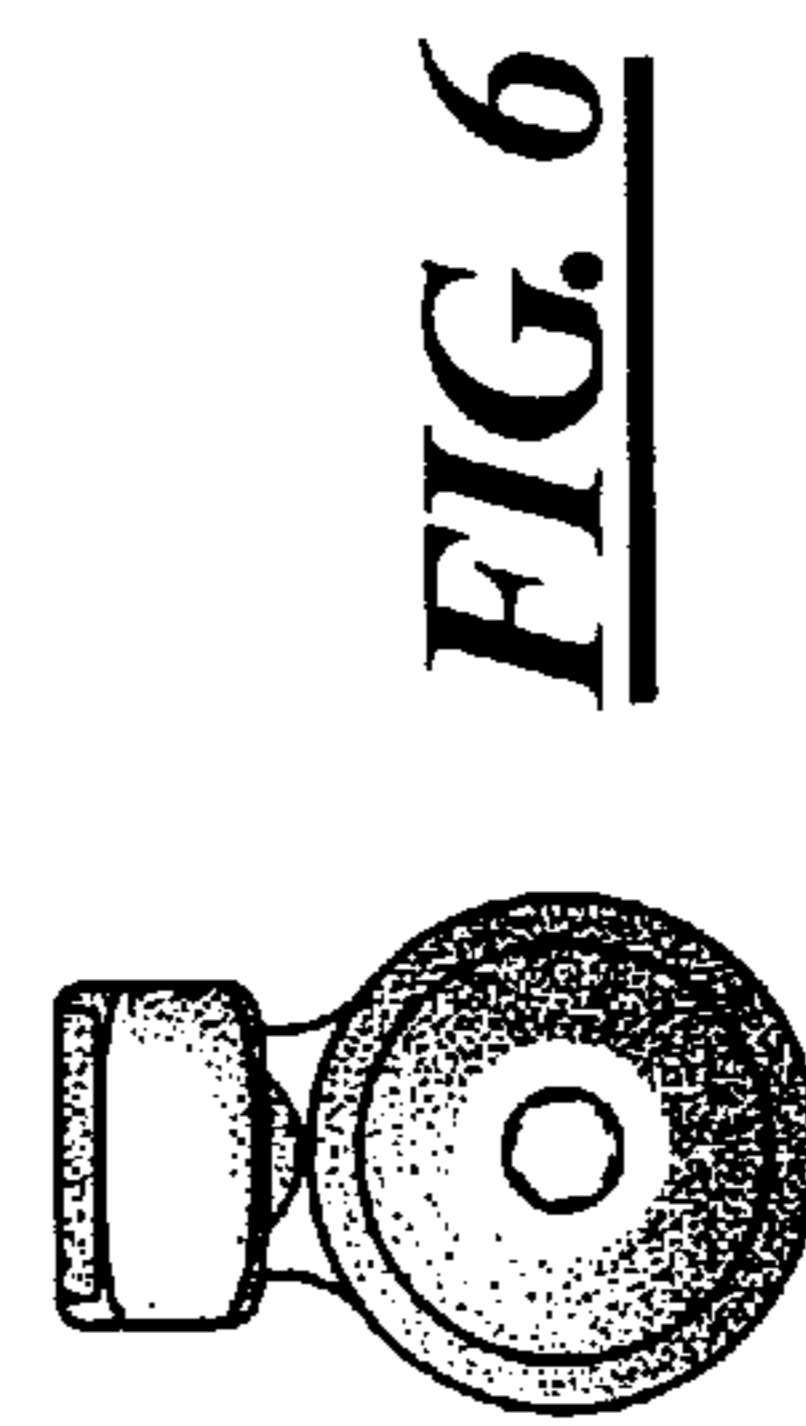
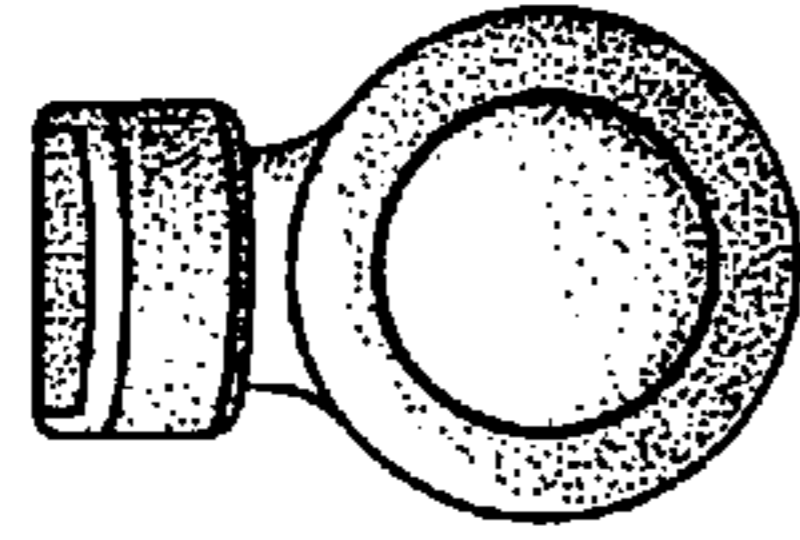


FIG. 6

FIG. 2

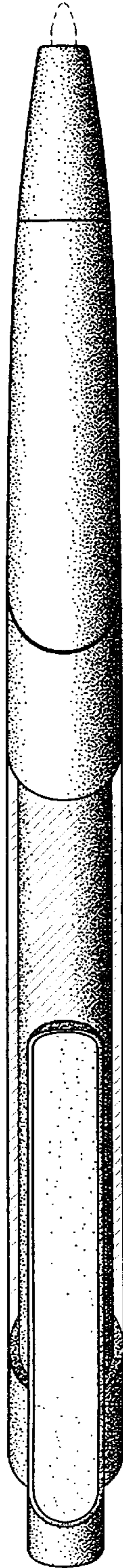
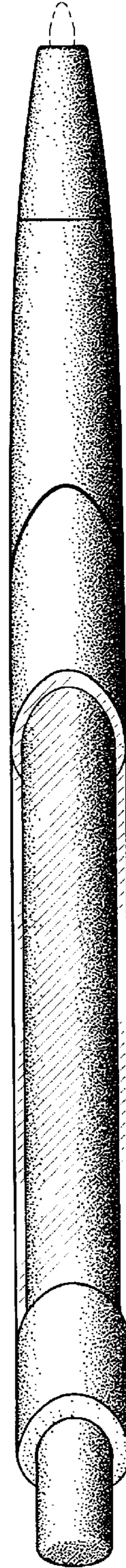


FIG. 3



FIG. 4



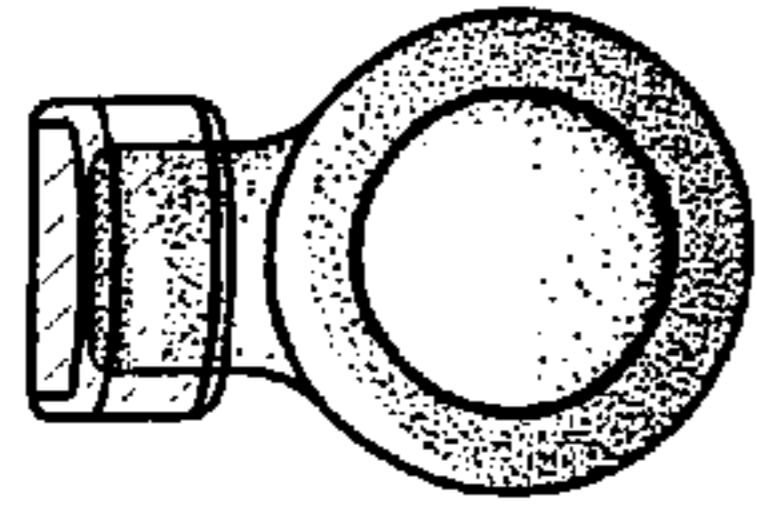


FIG. 11

FIG. 7

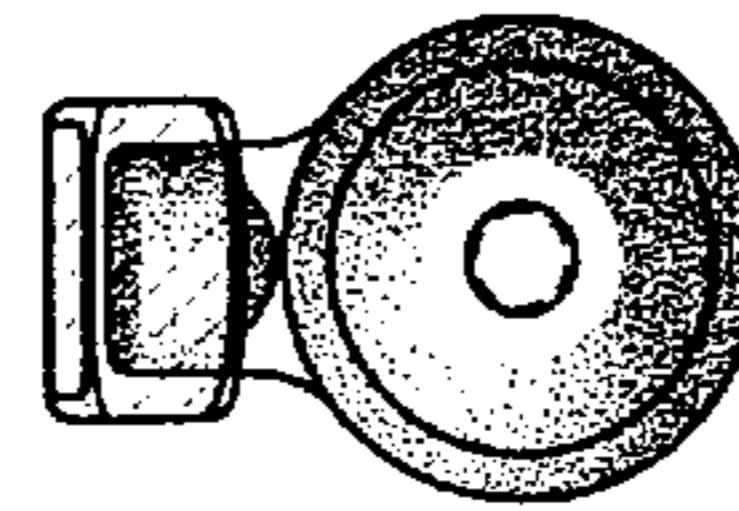
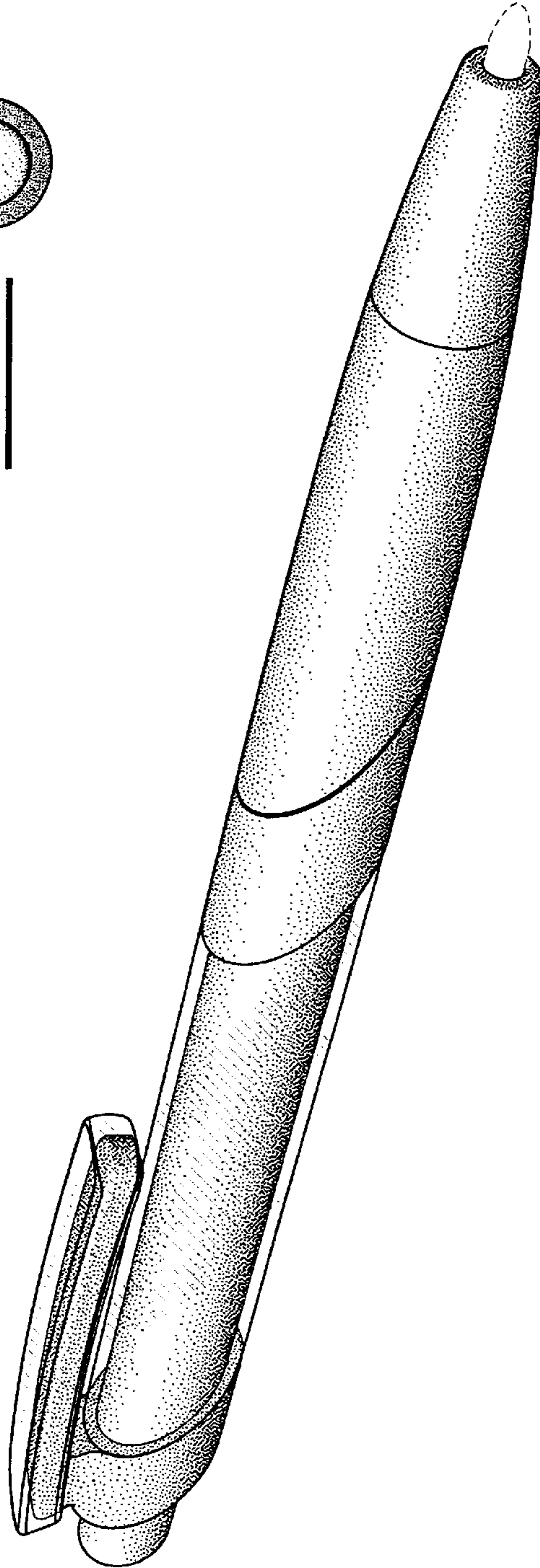


FIG. 12

FIG. 8

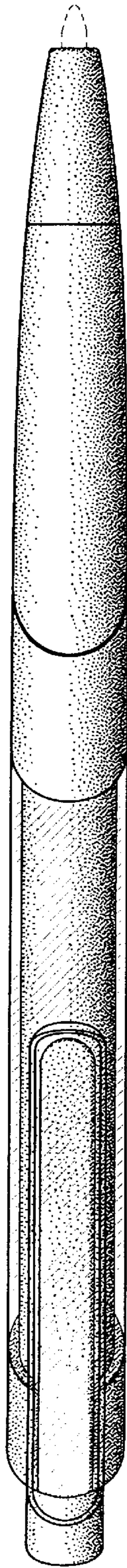


FIG. 9

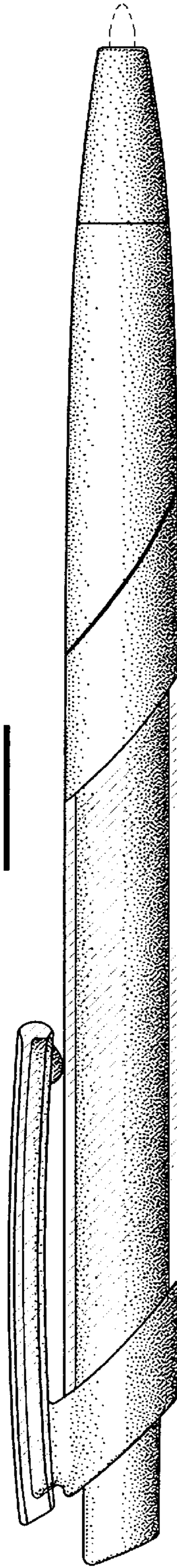


FIG. 10

