



US00D538341S

(12) **United States Design Patent**
Oas

(10) **Patent No.:** **US D538,341 S**

(45) **Date of Patent:** **** Mar. 13, 2007**

(54) **BALLPOINT PEN**

(76) **Inventor:** **Daniel R. Oas**, 6250 No. Irwindale Ave., Irwindale, CA (US) 91702

(**) **Term:** **14 Years**

(21) **Appl. No.:** **29/236,505**

(22) **Filed:** **Aug. 16, 2005**

(51) **LOC (8) Cl.** **19-06**

(52) **U.S. Cl.** **D19/44**

(58) **Field of Classification Search** D8/356;
D19/35, 36, 41-45, 54-57; 24/11 R, 11 F,
24/11 P, 599.1, 599.6, 599.9; 401/52, 99,
401/100, 104, 105, 106, 107, 108, 109, 192,
401/195, 243-247

See application file for complete search history.

(56) **References Cited**

U.S. PATENT DOCUMENTS

D260,021 S	*	7/1981	Carre	D19/49
D328,918 S	*	8/1992	Buda et al.	D19/49
D358,167 S	*	5/1995	Herbst et al.	D19/48
D395,447 S	*	6/1998	Izushima	D19/49
D404,428 S	*	1/1999	Takahashi	D19/49
D443,370 S	*	6/2001	Yu	D26/37

D495,073 S	*	8/2004	Kumthampinij et al.	D26/37
D495,362 S	*	8/2004	Qiu	D19/43
D496,963 S	*	10/2004	Losel	D19/49
D507,811 S	*	7/2005	Shibata et al.	D19/49
D512,458 S	*	12/2005	Shiina	D19/49
D528,689 S	*	9/2006	Opolka	D26/37
2005/0277316 A1	*	12/2005	Cohen	439/135

* cited by examiner

Primary Examiner—Elizabeth Albert

(74) *Attorney, Agent, or Firm*—Edgar W. Averill, Jr.;
Kenneth L. Green

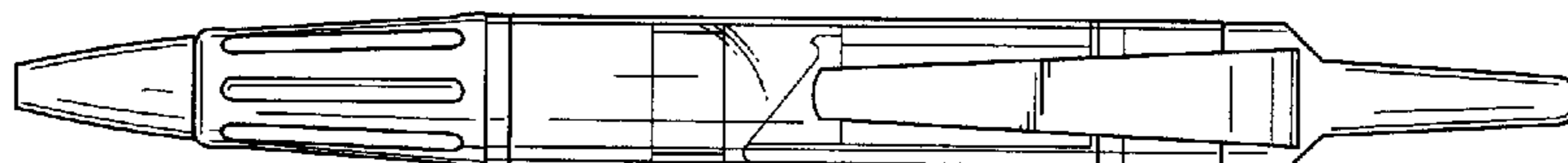
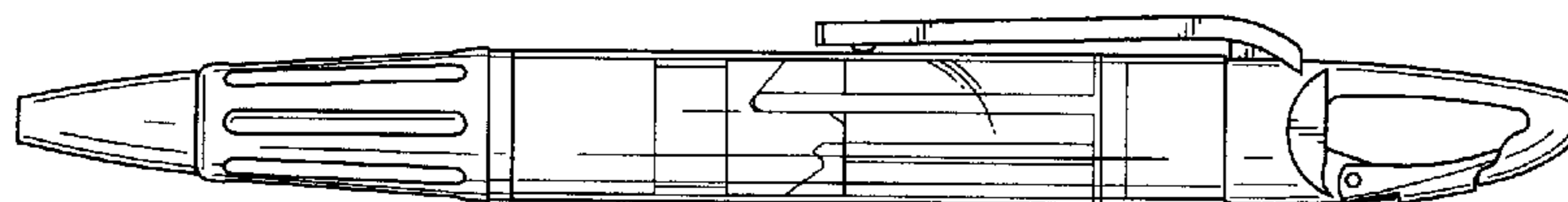
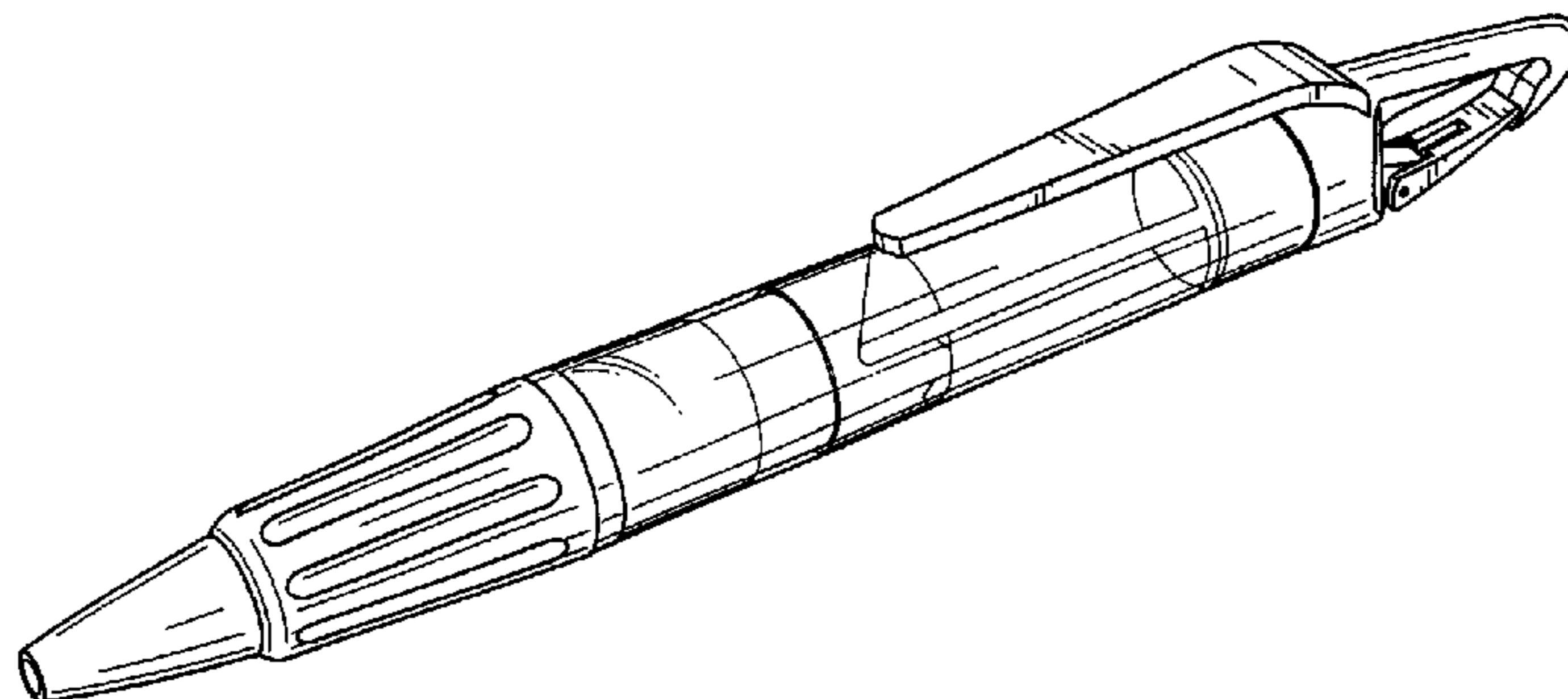
(57) **CLAIM**

The ornamental design for a ballpoint pen, as shown and described.

DESCRIPTION

FIG. 1 is a perspective view showing the top and left side of the ballpoint pen showing my new design;
FIG. 2 is a left side view thereof;
FIG. 3 is a top view thereof;
FIG. 4 is a right side view thereof;
FIG. 5 is a bottom view thereof;
FIG. 6 is a front view thereof; and,
FIG. 7 is a rear view thereof.

1 Claim, 2 Drawing Sheets



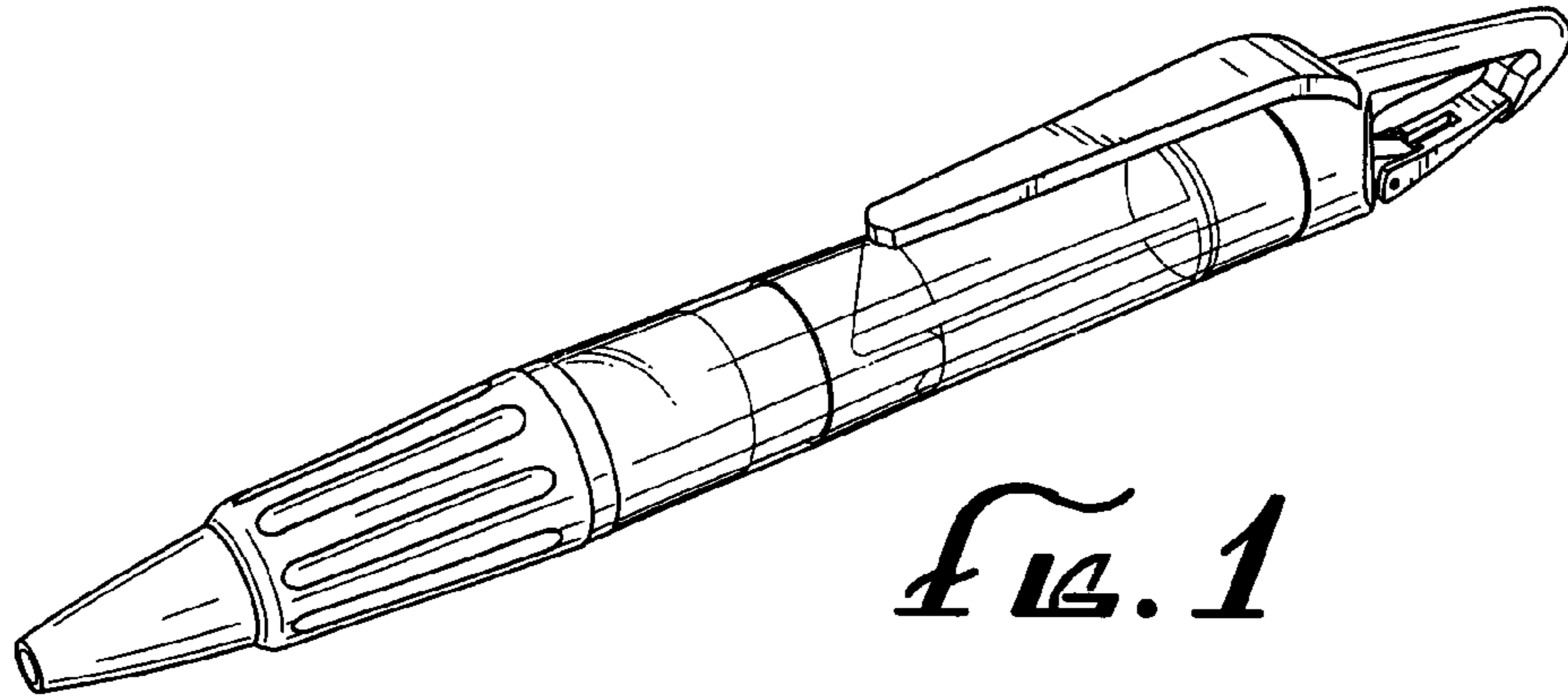


FIG. 1

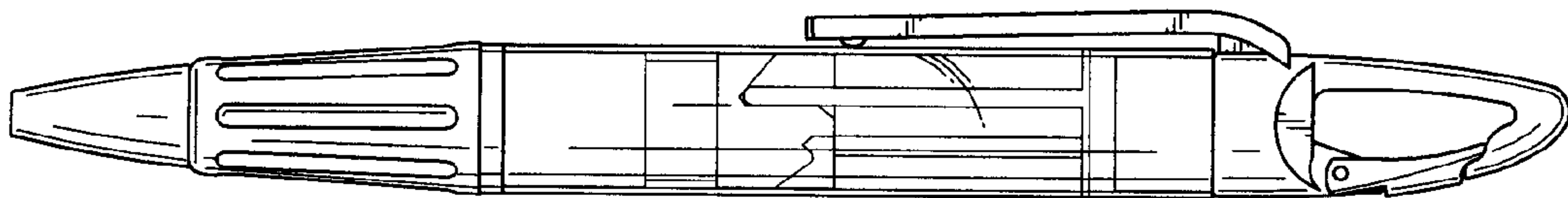


FIG. 2

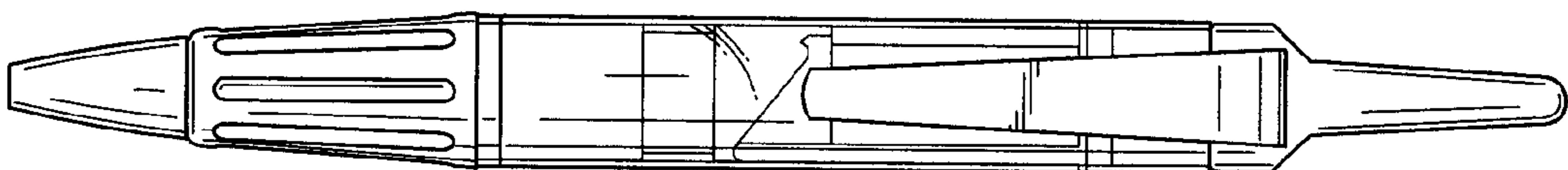


FIG. 3

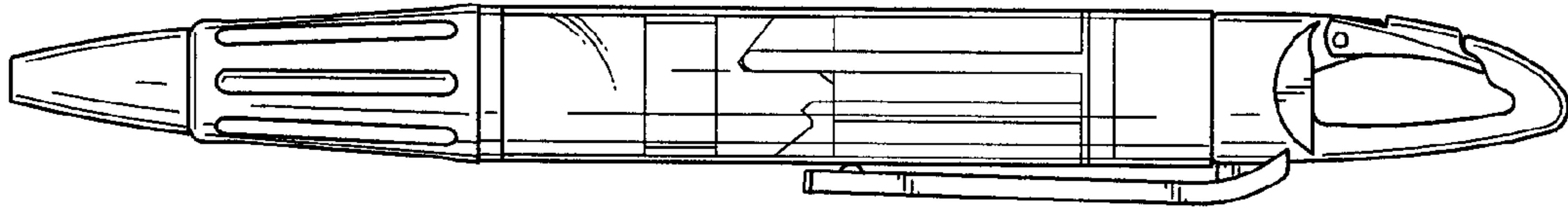


FIG. 4

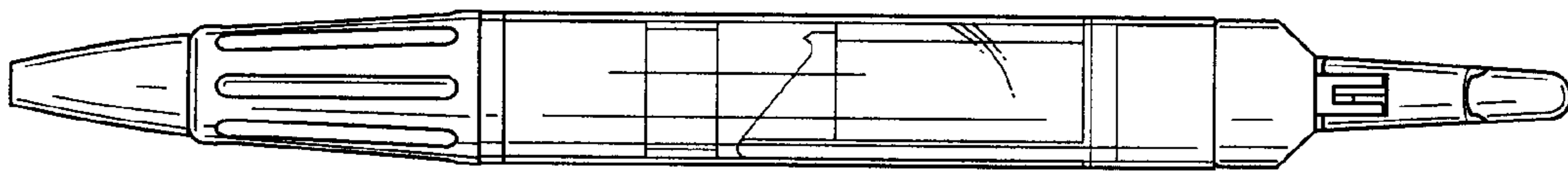


FIG. 5

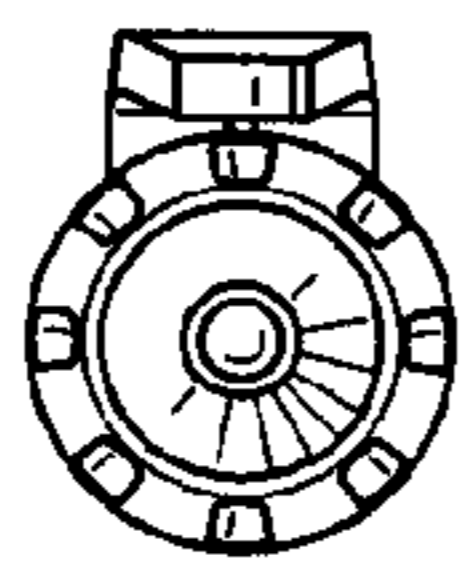


FIG. 6

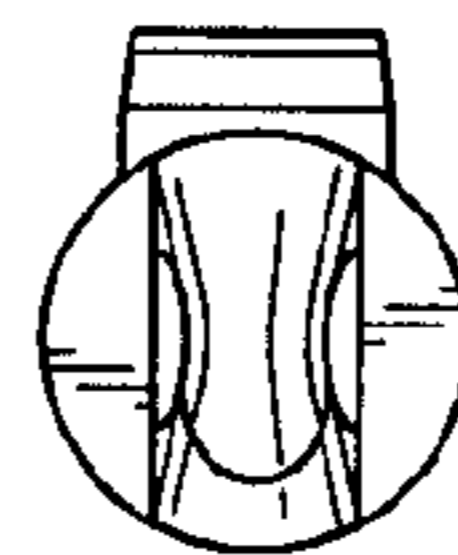


FIG. 7