



US00D538339S

(12) **United States Design Patent**  
**Robertson**

(10) **Patent No.:** **US D538,339 S**

(45) **Date of Patent:** **\*\* Mar. 13, 2007**

(54) **PHOTOGRAPH PROOF AND PHOTO  
COMPACT DISC INDEX PAGE**

(75) Inventor: **Judith M. Robertson**, Hercules, CA  
(US)

(73) Assignee: **ELSA L, Inc.**, San Rafael, CA (US)

(\*\*) Term: **14 Years**

(21) Appl. No.: **29/257,105**

(22) Filed: **Mar. 29, 2006**

(51) **LOC (8) Cl.** ..... **19-01**

(52) **U.S. Cl.** ..... **D19/1**

(58) **Field of Classification Search** ..... D19/1-8;  
D6/626; 206/307, 308.1, 455, 473; 229/67.1,  
229/72

See application file for complete search history.

(56) **References Cited**

**U.S. PATENT DOCUMENTS**

- 3,979,051 A \* 9/1976 Close ..... 229/72
- 4,057,140 A \* 11/1977 Hutzler ..... 206/455
- 4,149,667 A \* 4/1979 Riley ..... 229/72

- 5,431,449 A \* 7/1995 Arimoto et al. .... 206/473
- D363,083 S \* 10/1995 Thompson et al. .... D19/3
- 6,270,932 B2 \* 8/2001 Tatsumi et al. .... 430/11
- 2001/0032793 A1 \* 10/2001 Bergh et al. .... 206/308.1
- 2002/0197098 A1 \* 12/2002 Palmer ..... 206/308.1

\* cited by examiner

*Primary Examiner*—Robert A. Delehanty

*Assistant Examiner*—Mark Cavanna

(74) *Attorney, Agent, or Firm*—Charles H. Jew

(57) **CLAIM**

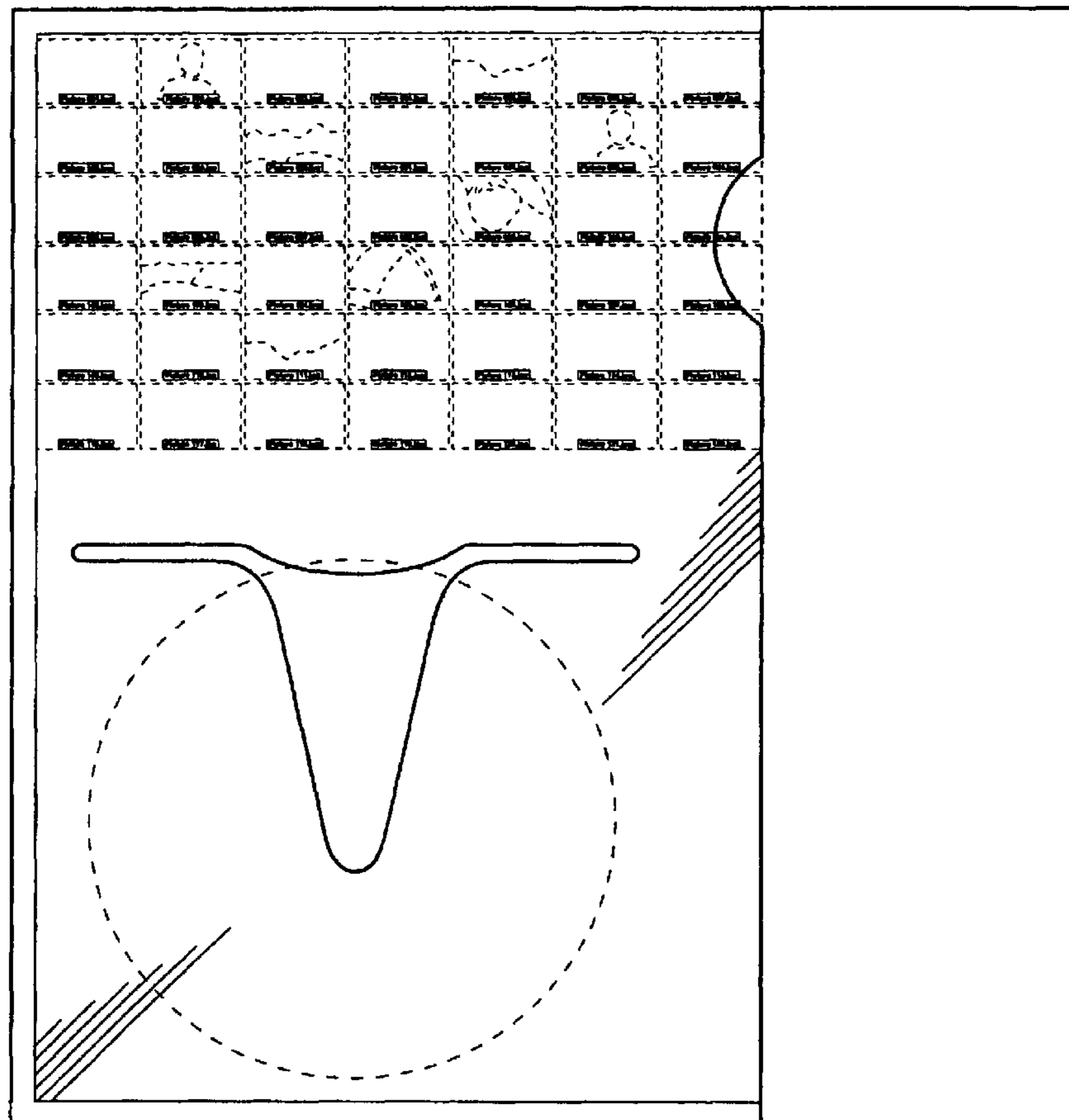
The ornamental design for a photograph proof and photo compact disc index page, as shown and described.

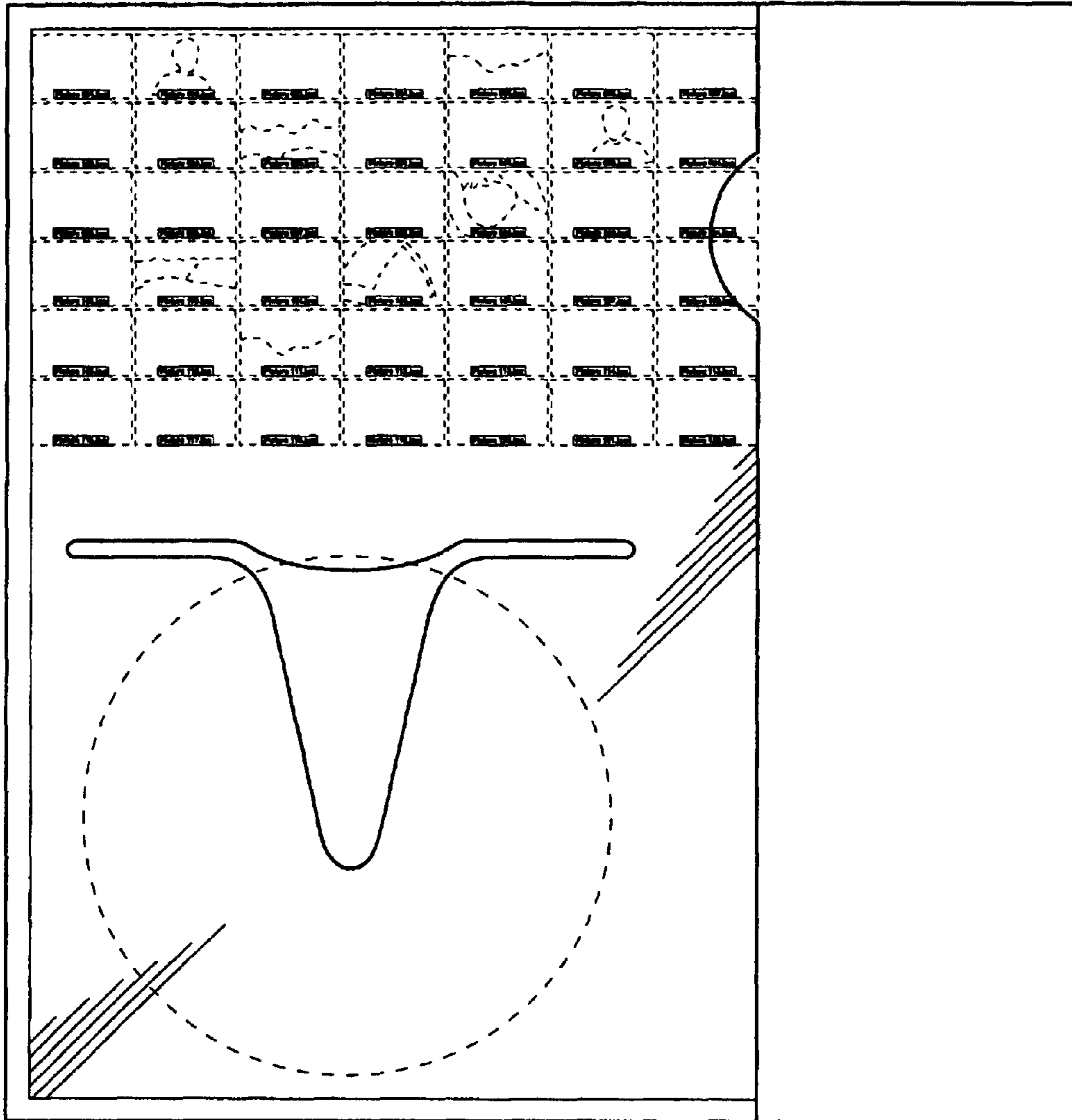
**DESCRIPTION**

FIG. 1 is a front elevational view of the photograph proof and photo compact disc index page showing my design; FIG. 2 is a rear elevational view thereof; FIG. 3 is a front elevational view thereof; and, FIG. 4 is a rear perspective view thereof.

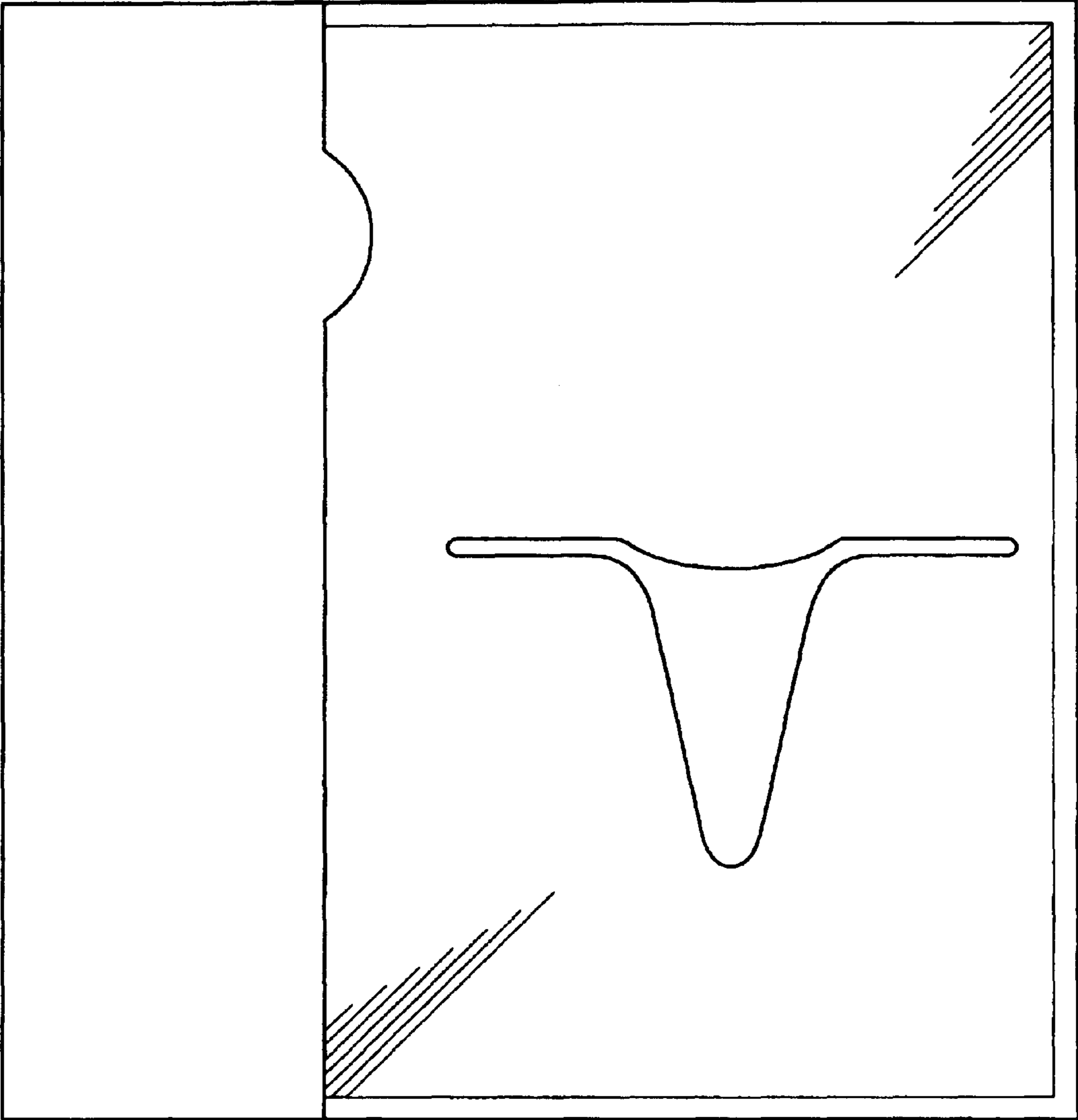
The broken lines showing a photograph proof and compact disc are for illustrative purposes only and form no part of the claimed design.

**1 Claim, 4 Drawing Sheets**

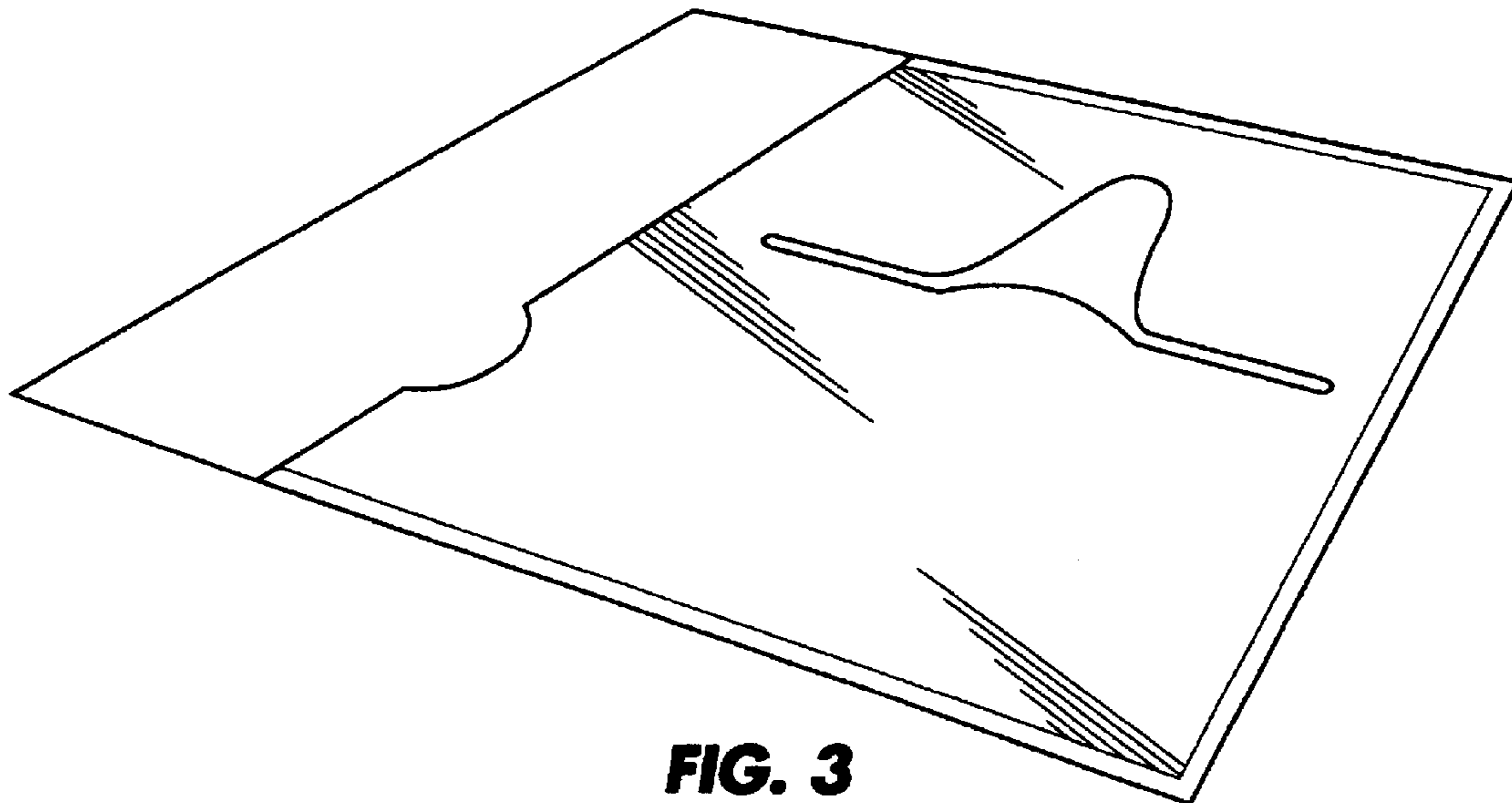




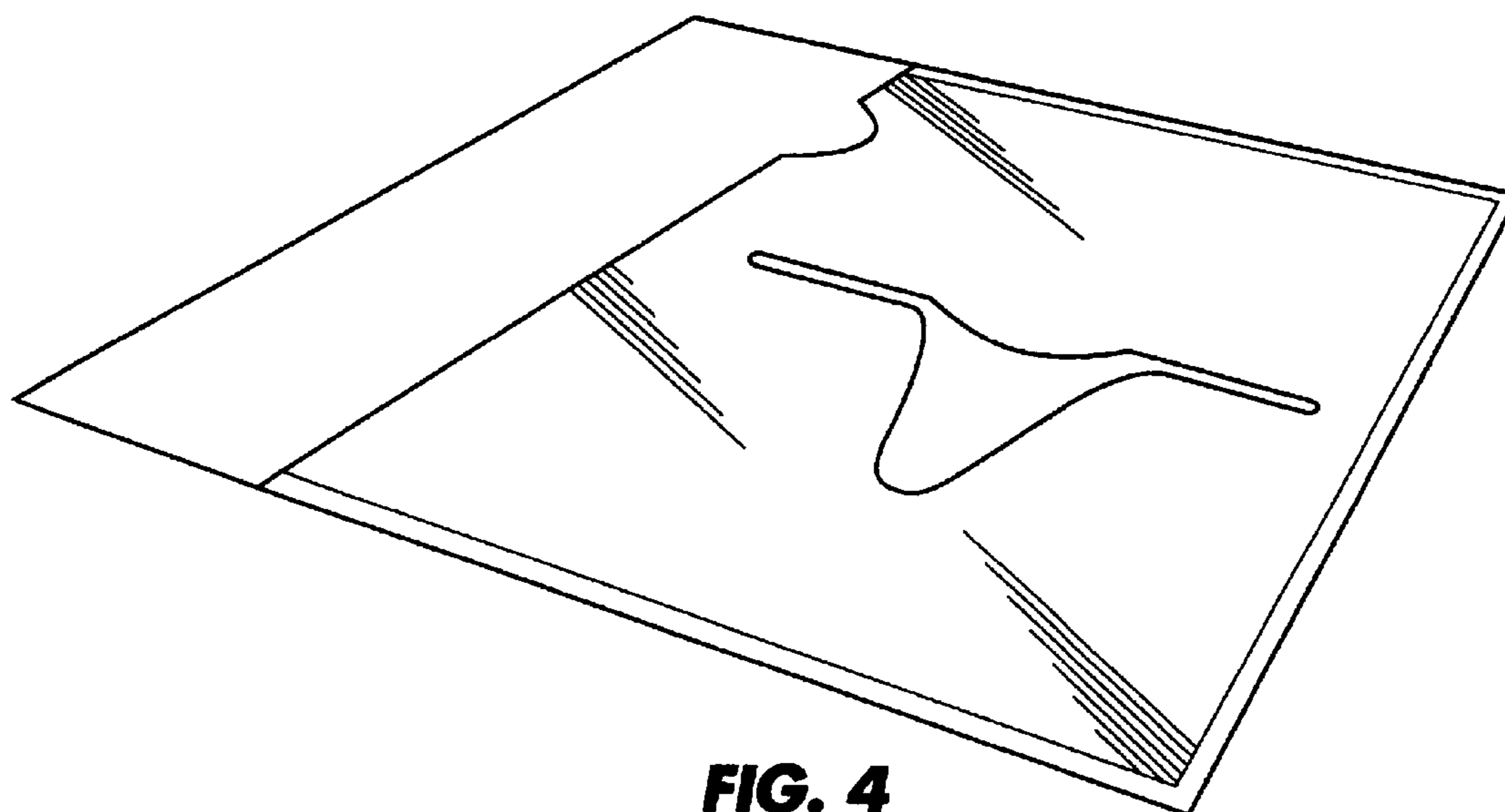
**FIG. 1**



**FIG. 2**



**FIG. 3**



**FIG. 4**