



US00D538338S

(12) **United States Design Patent**  
**Matsumoto**

(10) **Patent No.:** **US D538,338 S**  
(45) **Date of Patent:** **\*\* Mar. 13, 2007**

- (54) **INK CARTRIDGE FOR PRINTER**
- (75) Inventor: **Hitoshi Matsumoto**, Suwa (JP)
- (73) Assignee: **Seiko Epson Corporation**, Tokyo (JP)
- (\*\*) Term: **14 Years**
- (21) Appl. No.: **29/261,201**
- (22) Filed: **Jun. 9, 2006**

**Related U.S. Application Data**

- (62) Division of application No. 29/235,686, filed on Aug. 3, 2005, now Pat. No. Des. 529,954.

(30) **Foreign Application Priority Data**

Feb. 28, 2005 (JP) ..... 2005-005670

- (51) **LOC (8) Cl.** ..... **18-02**
- (52) **U.S. Cl.** ..... **D18/56; 347/86**
- (58) **Field of Classification Search** ..... D18/12,  
D18/40, 43, 56; D14/481, 483; 347/29, 33,  
347/49-50, 86-87, 178, 214; 399/25, 110  
See application file for complete search history.

(56) **References Cited**

**U.S. PATENT DOCUMENTS**

- 5,541,631 A \* 7/1996 Hashimoto ..... 347/86
- D464,372 S \* 10/2002 Yamada et al. .... D18/56
- D468,768 S \* 1/2003 Yamada et al. .... D18/56
- D477,020 S \* 7/2003 Seino ..... D18/56
- D489,756 S \* 5/2004 Matsumoto et al. .... D18/56
- D489,757 S \* 5/2004 Matsumoto ..... D18/56

- D522,049 S \* 5/2006 Ishizawa et al. .... D18/56
- D524,855 S \* 7/2006 Ishizawa et al. .... D18/56
- 2005/0001888 A1 \* 1/2005 Seino et al. .... 347/86
- 2005/0057625 A1 \* 3/2005 Ishizawa et al. .... 347/86

**FOREIGN PATENT DOCUMENTS**

- JP D1127682 \* 12/2001
- JP D1127791 \* 12/2001

\* cited by examiner

*Primary Examiner*—Cathy Anne MacCormac

(74) *Attorney, Agent, or Firm*—Stroock & Stroock & Lavan LLP

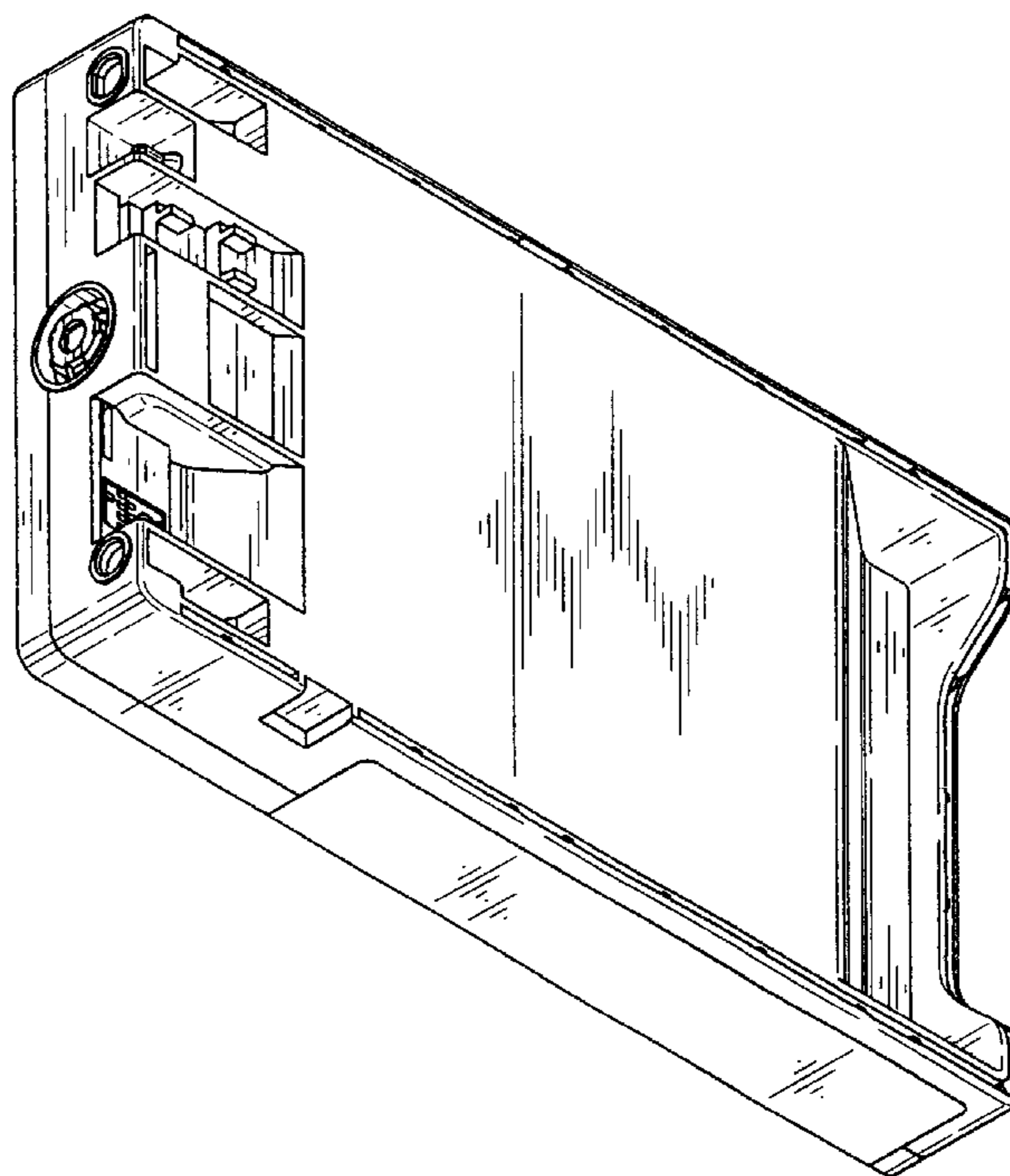
(57) **CLAIM**

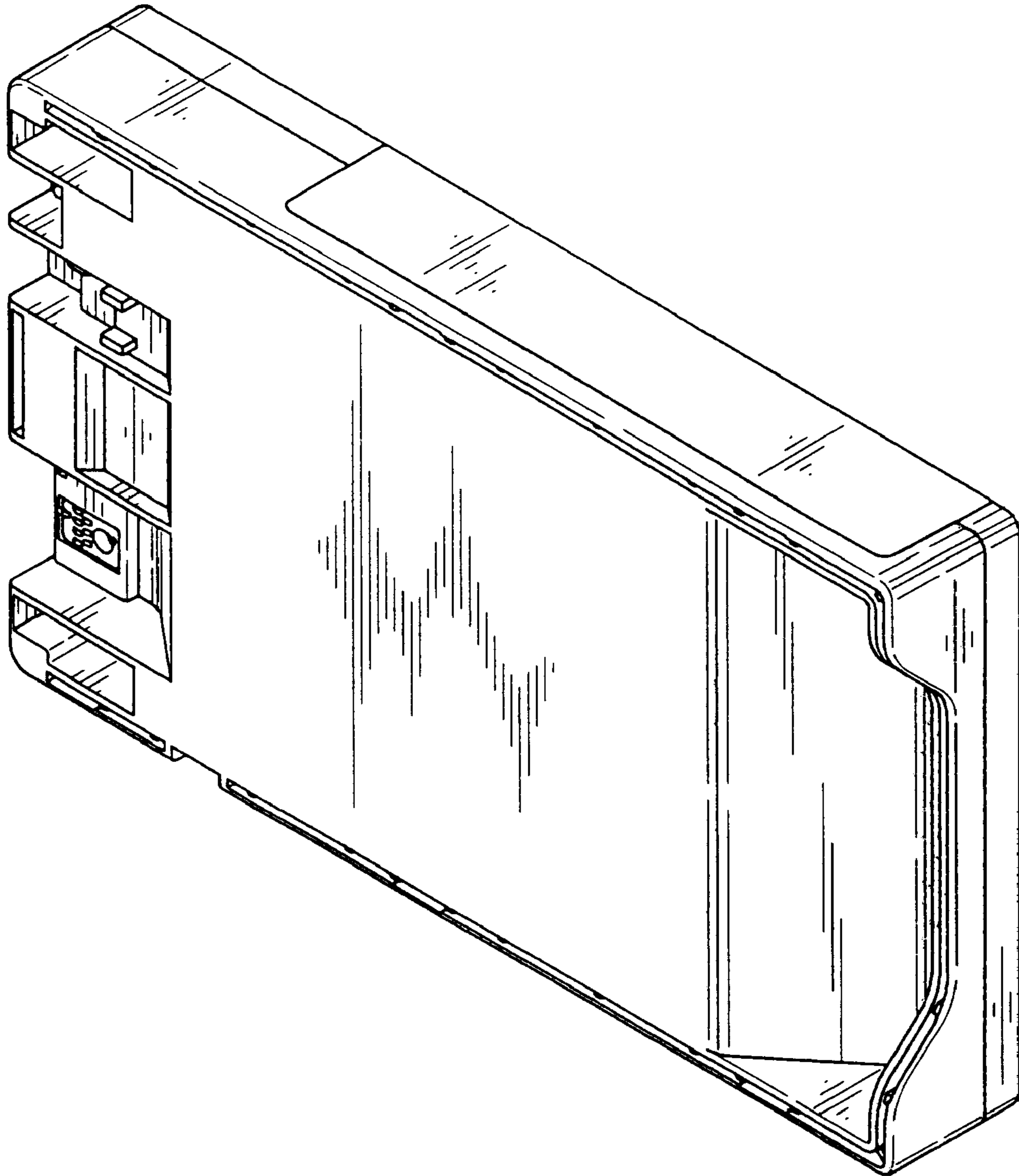
The ornamental design for an ink cartridge for printer, as shown and described.

**DESCRIPTION**

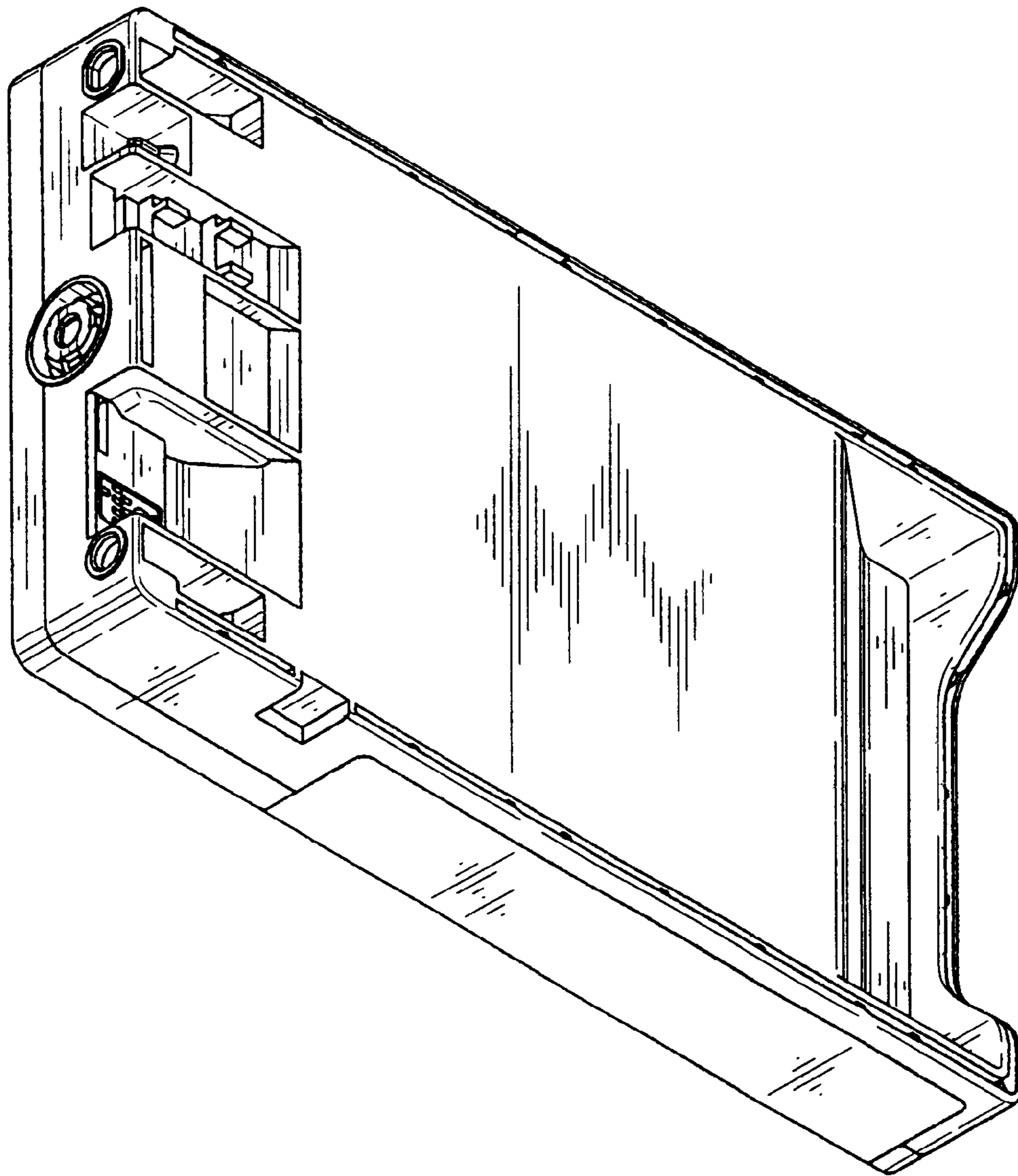
FIG. 1 is a top, front and right side perspective view of an ink cartridge for printer;  
 FIG. 2 is a bottom, front and left side perspective view thereof;  
 FIG. 3 is a front elevational view thereof;  
 FIG. 4 is a rear elevational view thereof;  
 FIG. 5 is a top plan view thereof;  
 FIG. 6 is a bottom view thereof;  
 FIG. 7 is a left side view thereof; and,  
 FIG. 8 is a right side view thereof.  
 The broken lines are for illustrative purposes only and form no part of the claimed design.

**1 Claim, 4 Drawing Sheets**

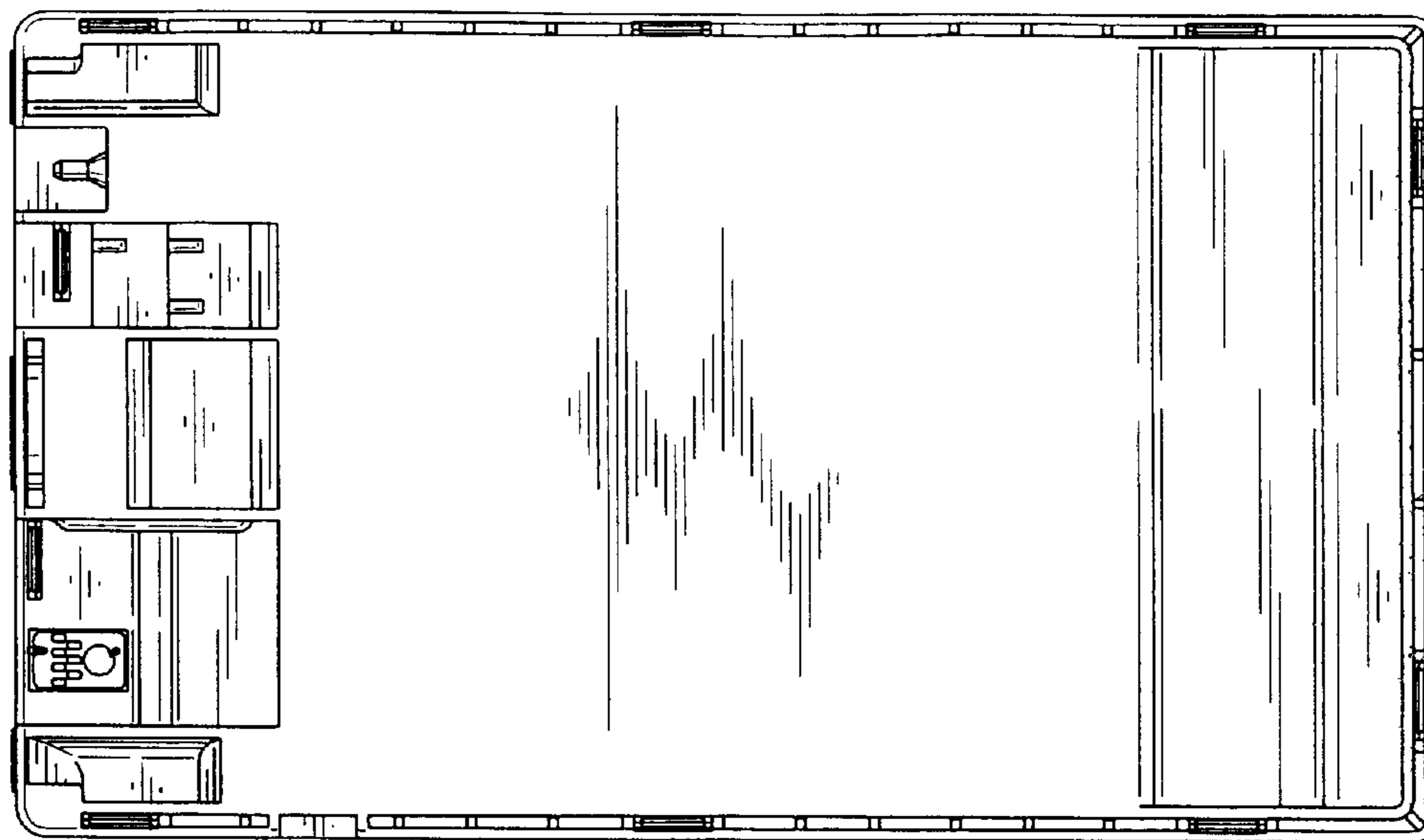




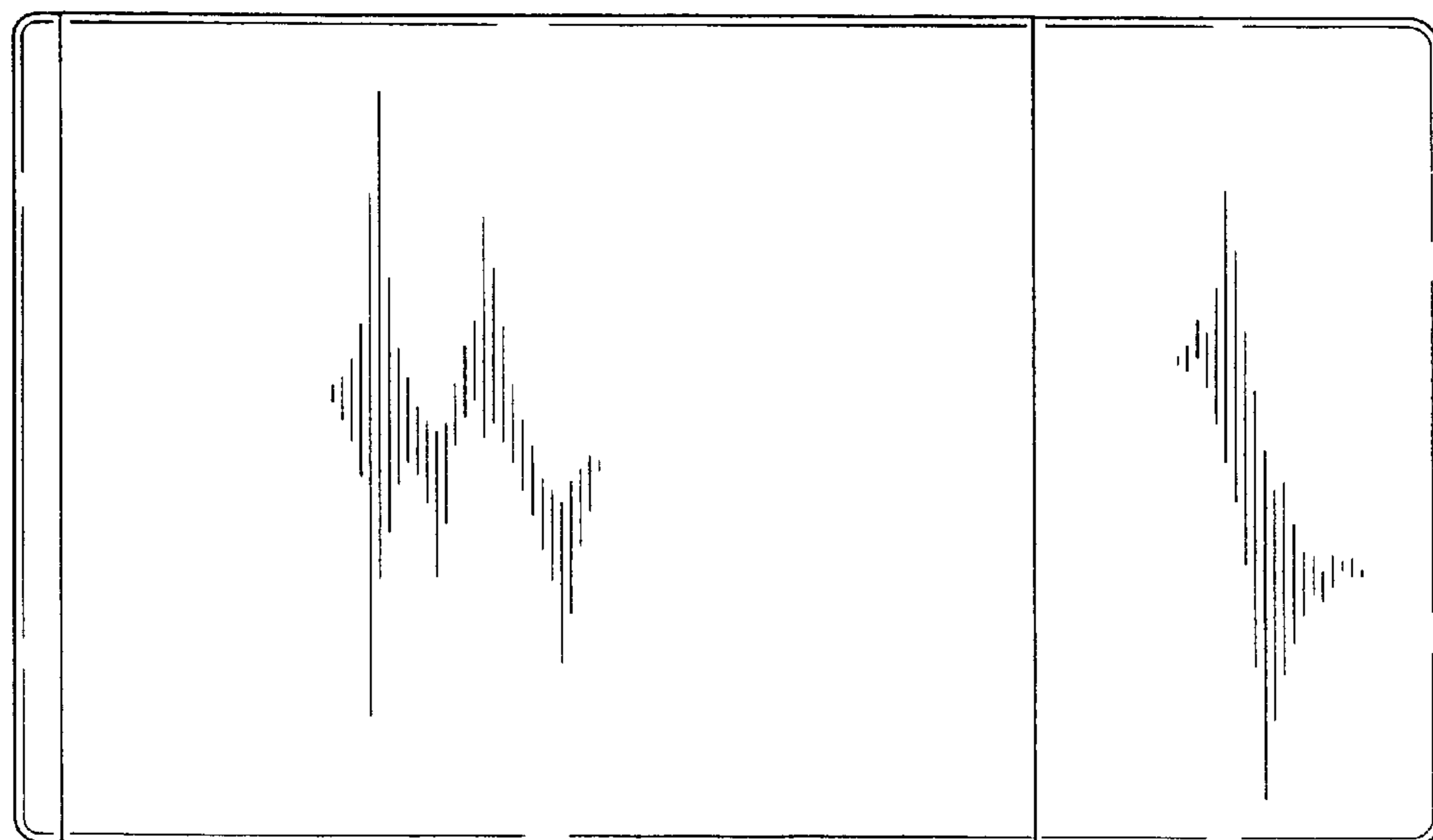
*FIG. 1*



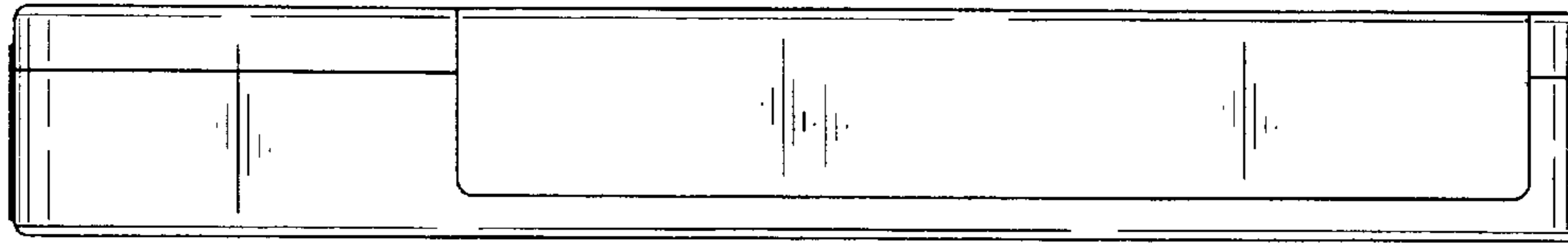
*FIG. 2*



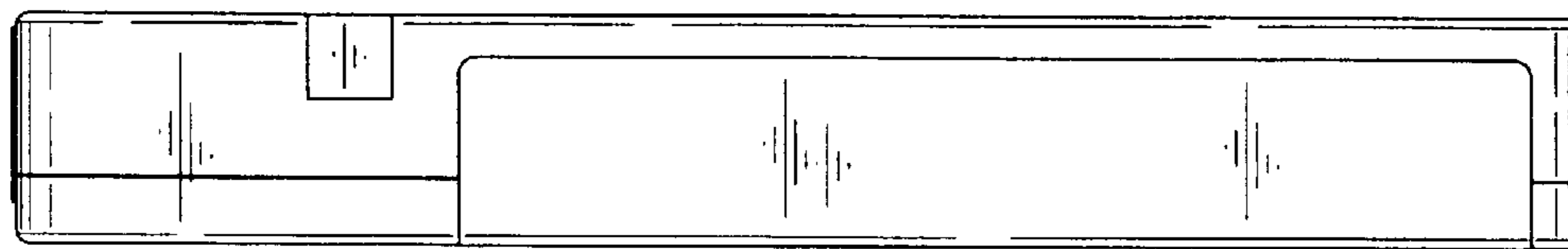
*FIG. 3*



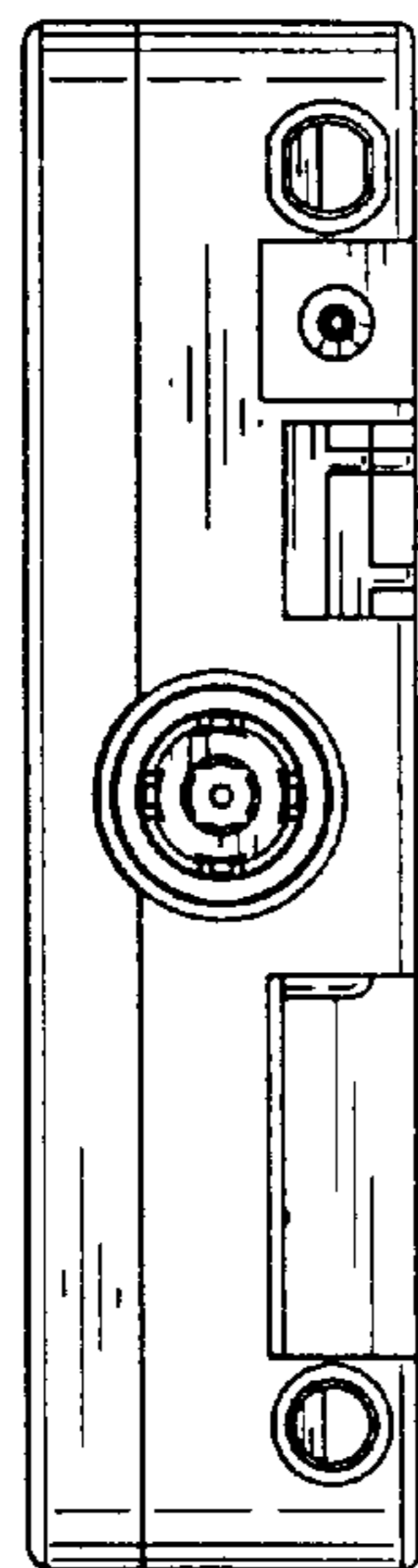
*FIG. 4*



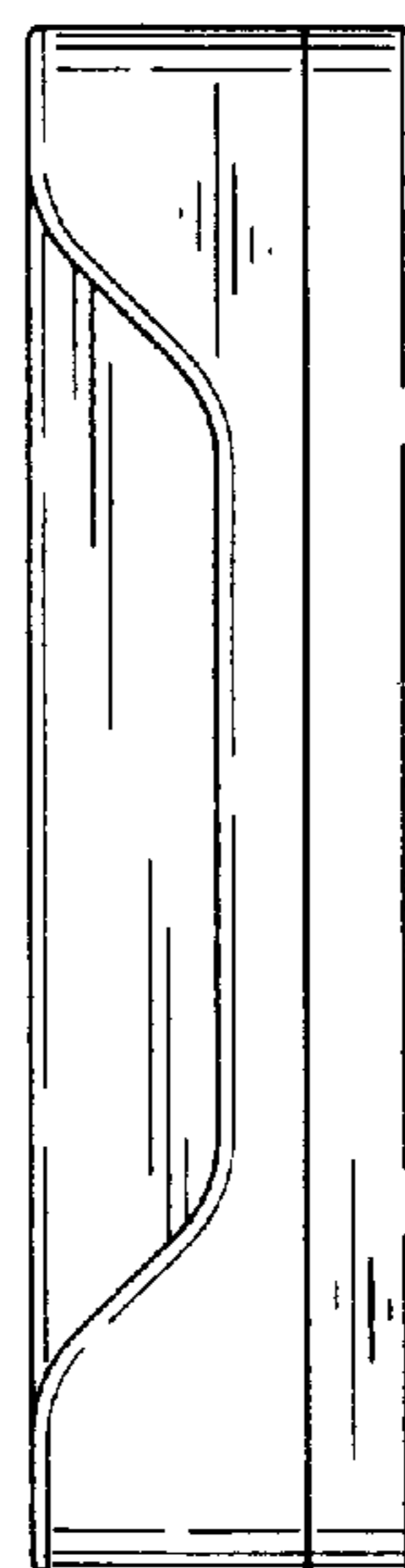
*FIG. 5*



*FIG. 6*



*FIG. 7*



*FIG. 8*