



US00D538337S

(12) **United States Design Patent**
Hattori et al.

(10) **Patent No.:** **US D538,337 S**
(45) **Date of Patent:** **** Mar. 13, 2007**

(54) **INK CARTRIDGE**

(75) Inventors: **Shingo Hattori**, Tsushima (JP);
Toyonori Sasaki, Anjyo (JP);
Tomohiro Kanbe, Nagoya (JP)

(73) Assignee: **Brother Industries, Ltd.**, Nagoya (JP)

(**) Term: **14 Years**

(21) Appl. No.: **29/256,708**

(22) Filed: **Mar. 24, 2006**

(30) **Foreign Application Priority Data**

Nov. 18, 2005 (JP) 2005-034124

(51) **LOC (8) Cl.** **18-02**

(52) **U.S. Cl.** **D18/56; 347/86**

(58) **Field of Classification Search** D18/12,
D18/40, 43, 56; D14/481, 483; 347/29, 33,
347/49-50, 86-87, 178, 214; 399/25, 110
See application file for complete search history.

(56) **References Cited**

U.S. PATENT DOCUMENTS

5,583,549 A * 12/1996 Ujita et al. 347/86
D422,304 S * 4/2000 Suzuki et al. D18/43
D423,564 S * 4/2000 Canfield et al. D18/56
6,302,515 B2 * 10/2001 Wolf et al. 347/33

6,302,535 B1 * 10/2001 Sturgeon et al. 347/86
D452,875 S * 1/2002 Carrese et al. D18/56
D453,184 S * 1/2002 Ito et al. D18/56
D462,384 S * 9/2002 Sasaki et al. D18/56
D493,194 S * 7/2004 Ohashi et al. D18/56
6,979,079 B2 * 12/2005 Hashii et al. 347/86
D518,517 S * 4/2006 Sasaki et al. D18/56
2002/0015067 A1 * 2/2002 Studholme et al. 347/87
2006/0152564 A1 * 7/2006 Hashii et al. 347/86

* cited by examiner

Primary Examiner—Cathy Anne MacCormac

(74) *Attorney, Agent, or Firm*—Oliff & Berridge, PLC

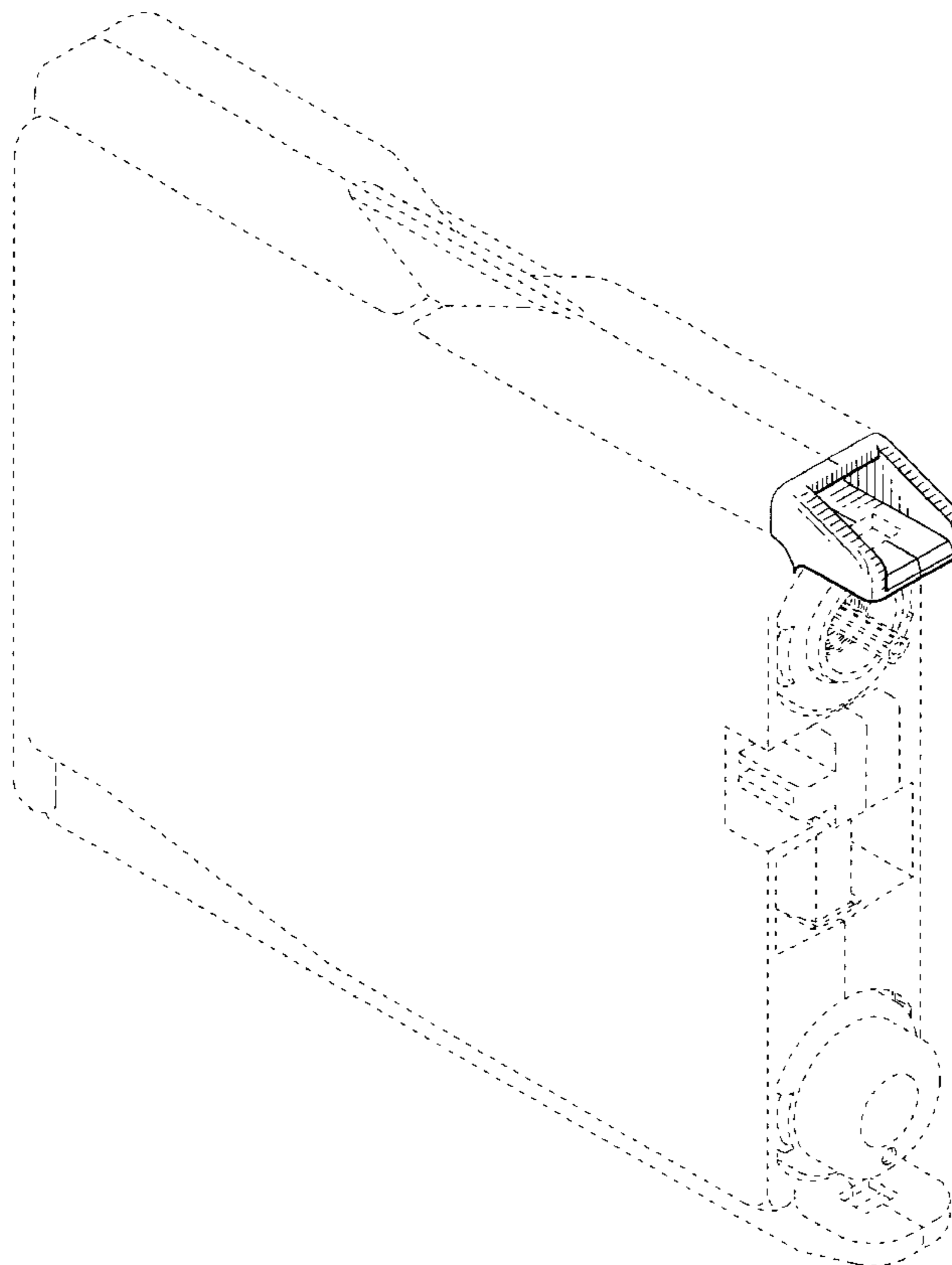
(57) **CLAIM**

The ornamental design for an ink cartridge, as shown and described.

DESCRIPTION

FIG. 1 is a perspective view of an ink cartridge;
FIG. 2 is a front view thereof;
FIG. 3 is a top view thereof;
FIG. 4 is a right side view thereof;
FIG. 5 is a rear view thereof; and,
FIG. 6 is a bottom view thereof.
The broken lines are for illustrative purposes only and form no part of the claimed design.

1 Claim, 5 Drawing Sheets



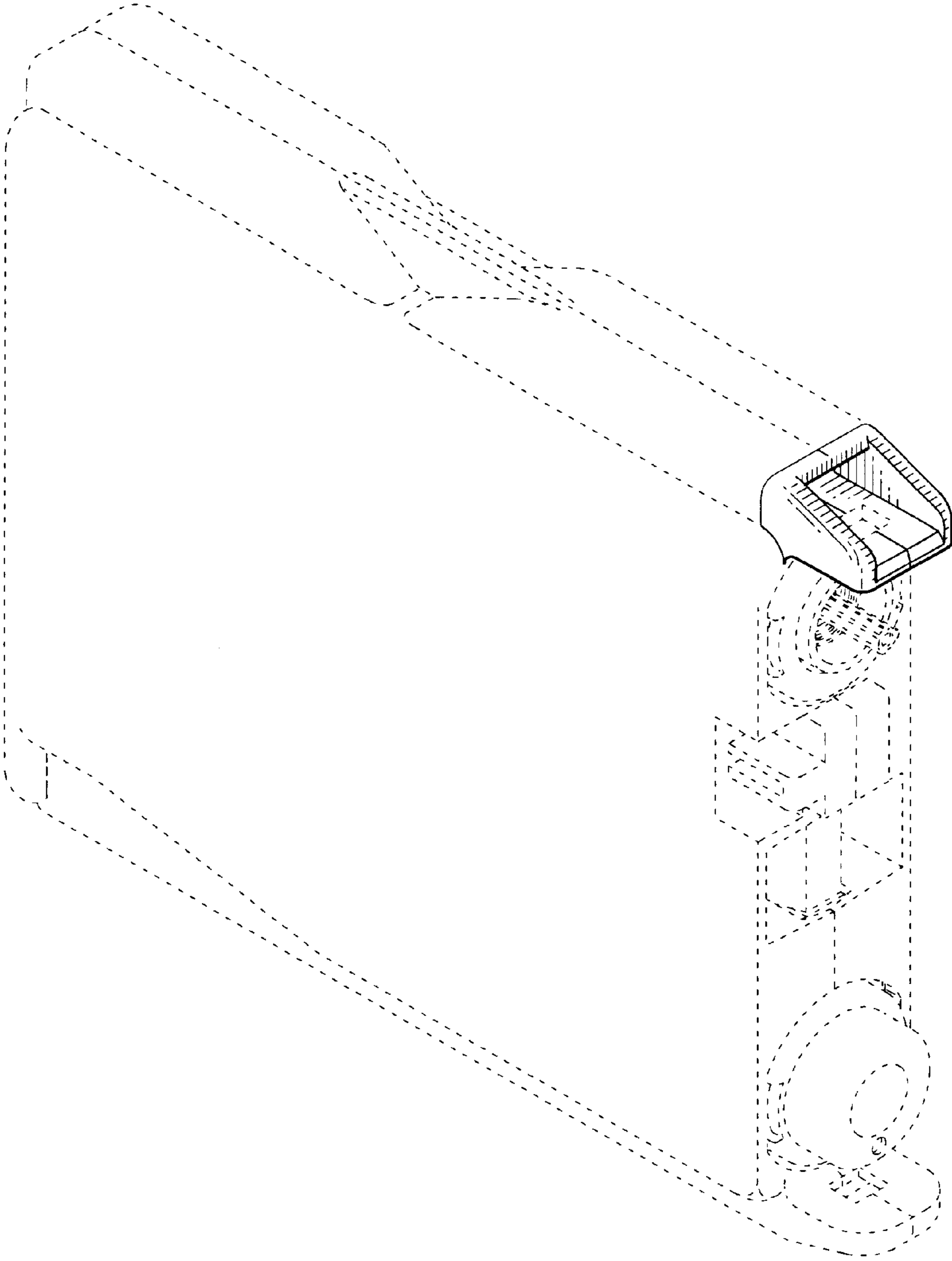


FIG. 1

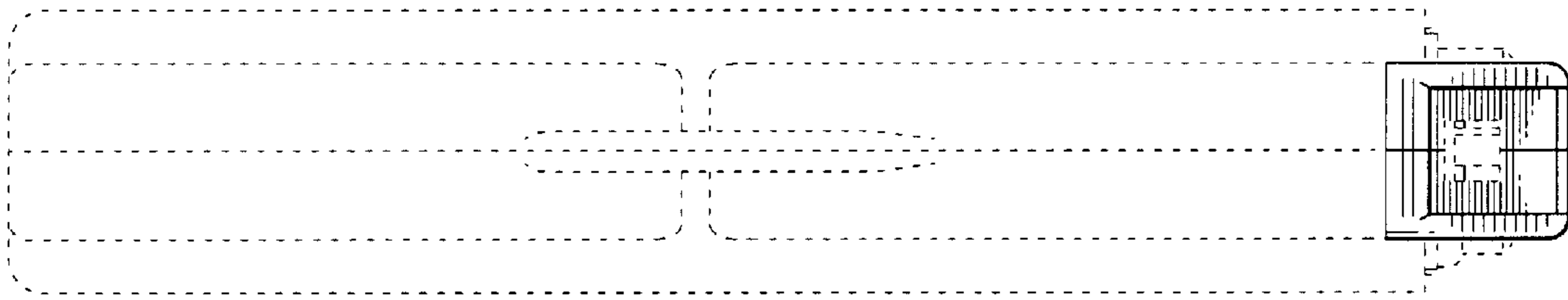


FIG. 3

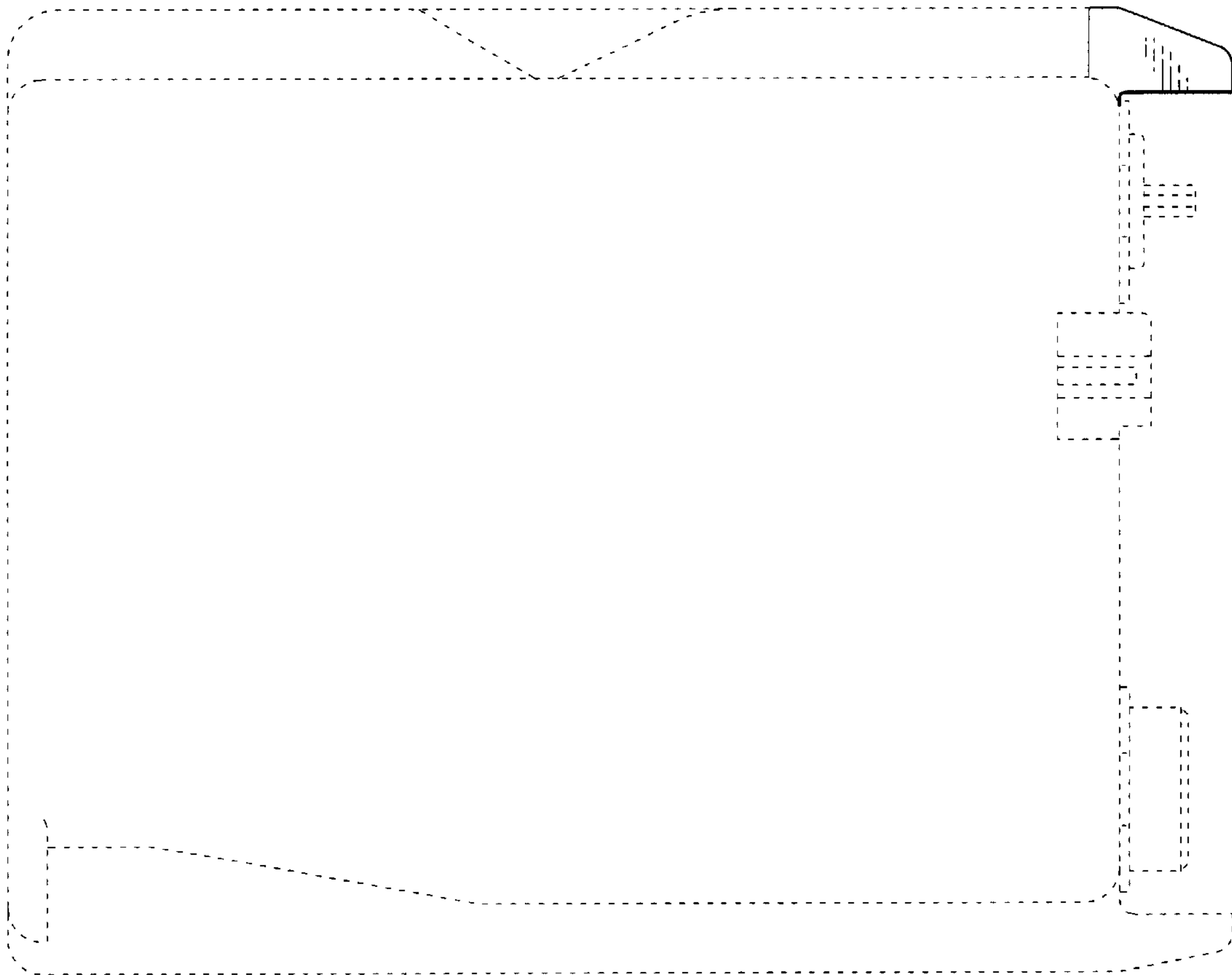


FIG. 2

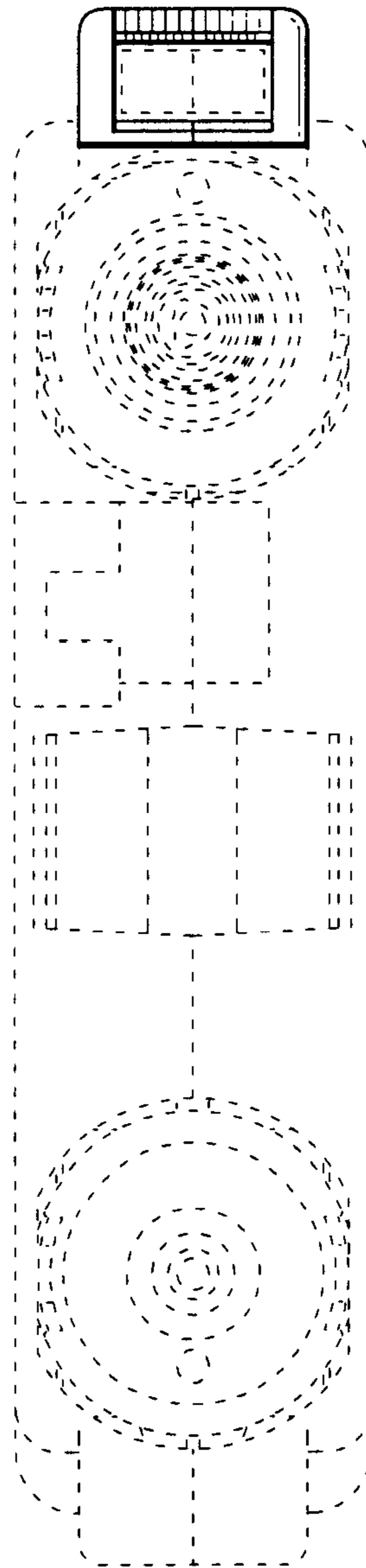


FIG. 4

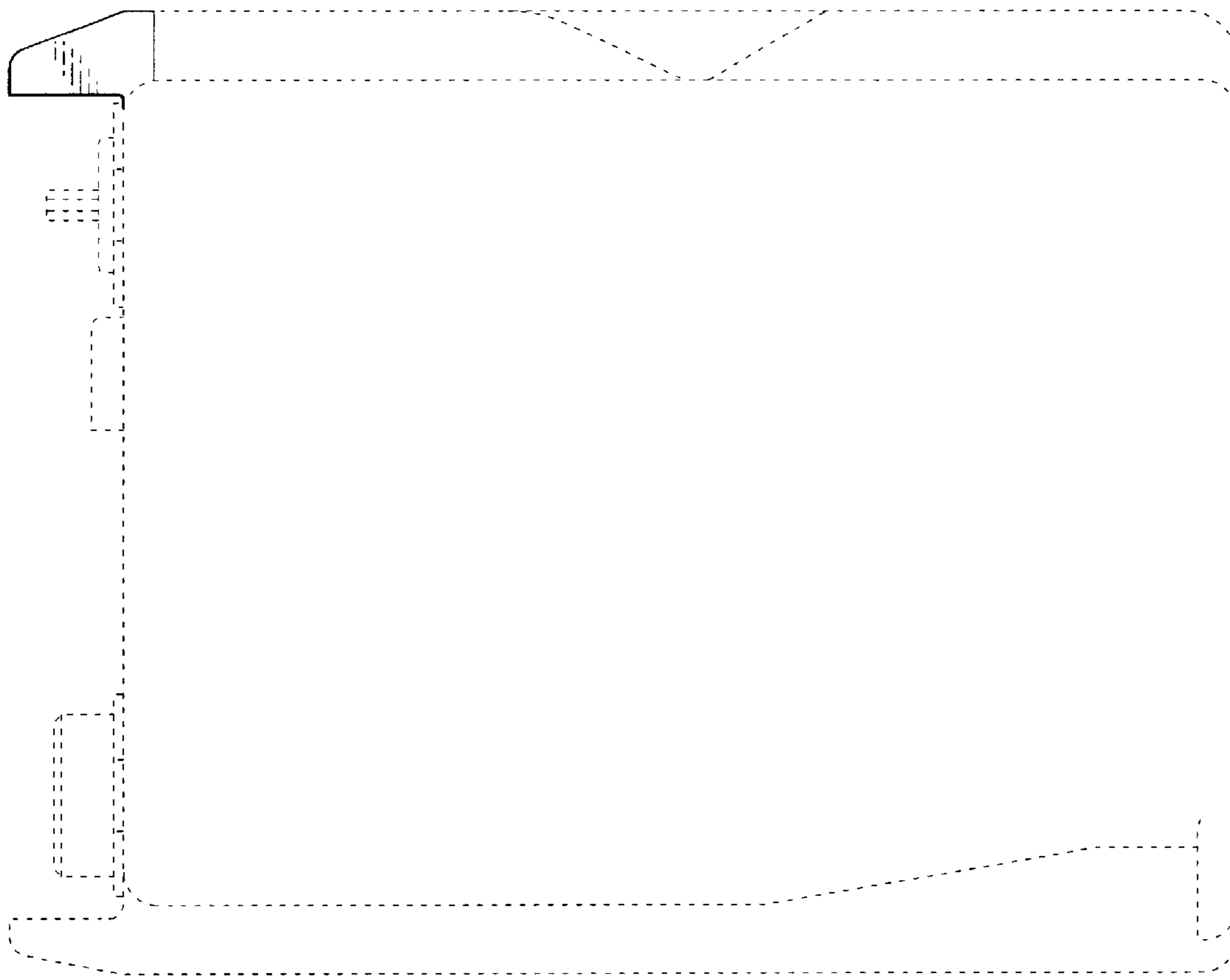


FIG. 5



FIG. 6