

US00D538331S

(12) **United States Design Patent**
Tazawa

(10) **Patent No.:** **US D538,331 S**

(45) **Date of Patent:** **** Mar. 13, 2007**

(54) **TONER BOTTLE**

(75) **Inventor:** **Fumio Tazawa**, Kashiwa (JP)

(73) **Assignee:** **Canon Kabushiki Kaisha**, Tokyo (JP)

(**) **Term:** **14 Years**

(21) **Appl. No.:** **29/223,832**

(22) **Filed:** **Feb. 22, 2005**

(30) **Foreign Application Priority Data**

Aug. 25, 2004 (JP) 2004-025399

(51) **LOC (8) Cl.** **16-03**

(52) **U.S. Cl.** **D18/43**

(58) **Field of Classification Search** D18/12,
D18/36, 40, 43, 44, 56; D14/462, 469-471,
D14/474-484; 222/DIG. 1; 347/49, 86, 87,
347/197, 214, 222; 399/24-28, 107-112,
399/119, 222-224; 400/194, 196, 207, 208
See application file for complete search history.

(56) **References Cited**

U.S. PATENT DOCUMENTS

3,338,410 A * 8/1967 South D18/43
3,920,325 A * 11/1975 Swift 399/107
4,386,839 A * 6/1983 Kumagai et al. 399/116
4,688,926 A * 8/1987 Manno 222/DIG. 1
D330,215 S * 10/1992 Saito et al. D18/43
D337,259 S * 7/1993 Curtis et al. D9/688
D384,368 S * 9/1997 Agata et al. D18/43
5,765,059 A * 6/1998 Kosuge et al. 399/224
D398,634 S * 9/1998 Katayama et al. D18/43

D399,870 S * 10/1998 Okada et al. D18/43
5,867,751 A * 2/1999 Nomura et al. 399/111
D414,507 S * 9/1999 Nozawa et al. D18/43
D478,118 S * 8/2003 Neri D18/40
D490,843 S * 6/2004 Minagawa et al. D18/43
D502,731 S 3/2005 Yamaada D18/43
6,876,827 B1 * 4/2005 Michlin 399/111
2001/0028811 A1 * 10/2001 Kojima et al. 399/111
2002/0028087 A1 * 3/2002 Higeta et al. 399/109
2004/0131389 A1 * 7/2004 Tazawa et al. 399/258

FOREIGN PATENT DOCUMENTS

JP 1197350 2/2004

* cited by examiner

Primary Examiner—Robert M. Spear

Assistant Examiner—Garth Rademaker

(74) *Attorney, Agent, or Firm*—Fitzpatrick, Cella, Harper & Scinto

(57) **CLAIM**

The ornamental design for a toner bottle, as shown.

DESCRIPTION

FIG. 1 is a front view of a toner bottle showing my new design;

FIG. 2 is a rear view thereof;

FIG. 3 is a top plan view thereof;

FIG. 4 is a bottom plan view thereof;

FIG. 5 is a left side view thereof;

FIG. 6 is a right side view thereof; and,

FIG. 7 is a perspective view thereof.

1 Claim, 4 Drawing Sheets

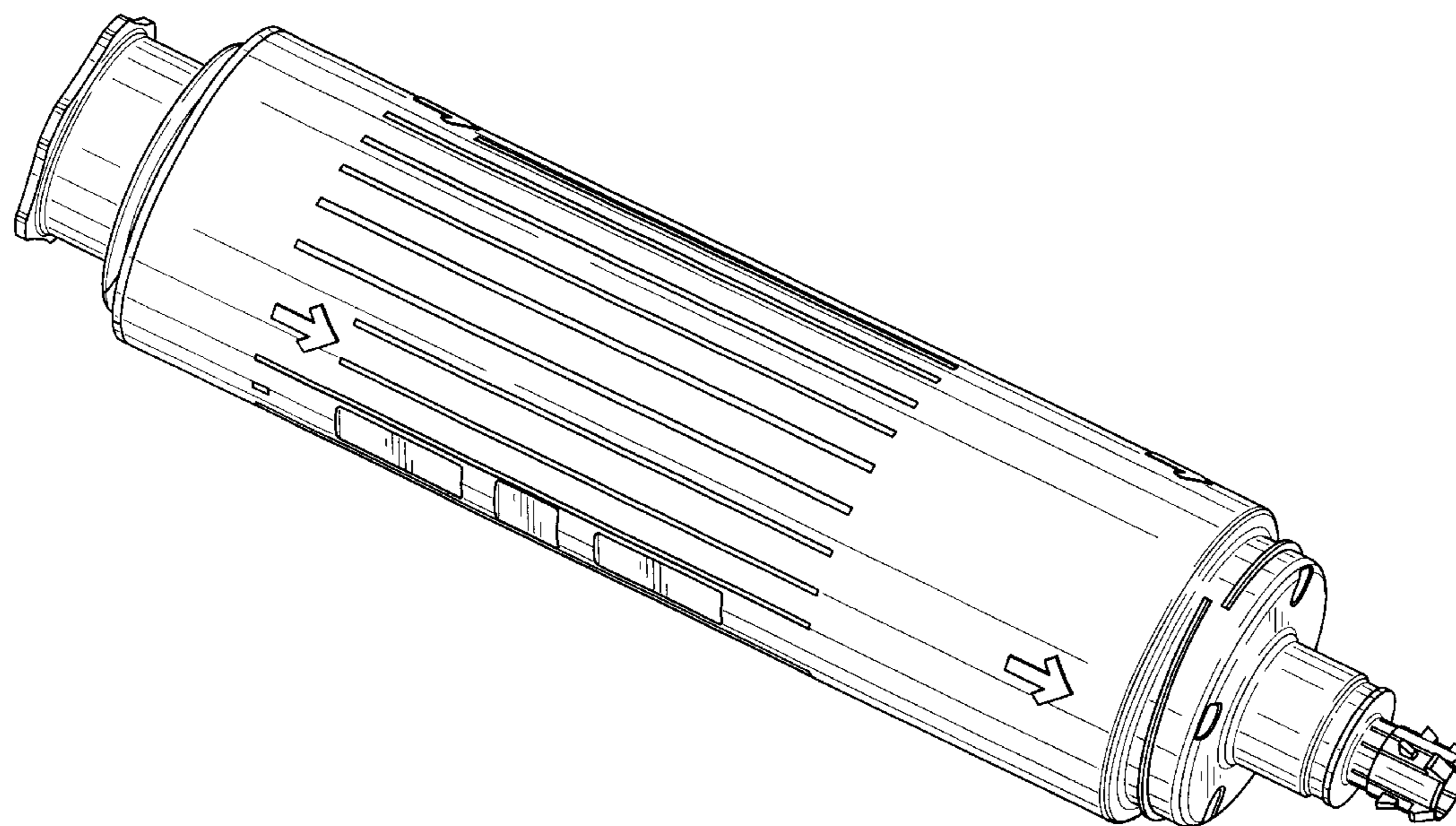


FIG. 1

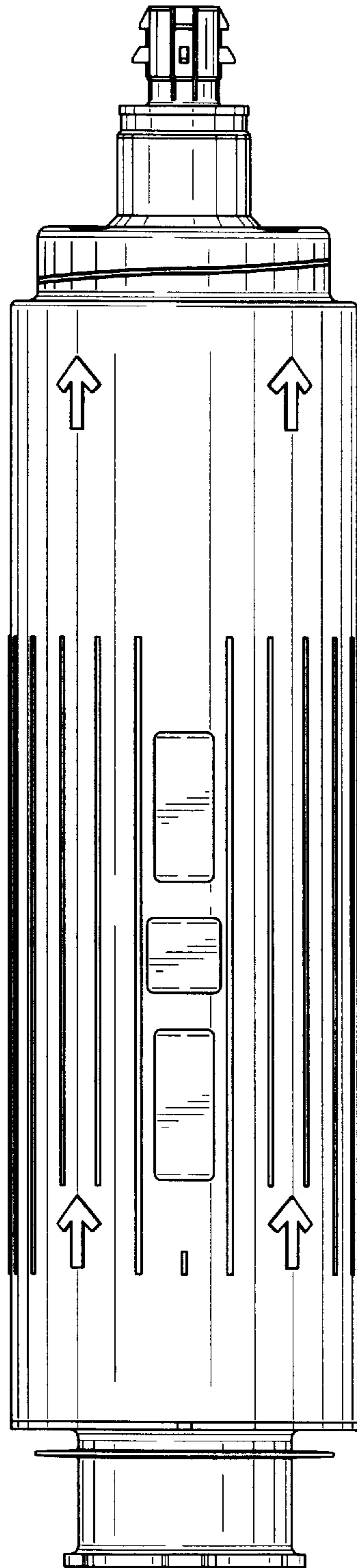


FIG. 2

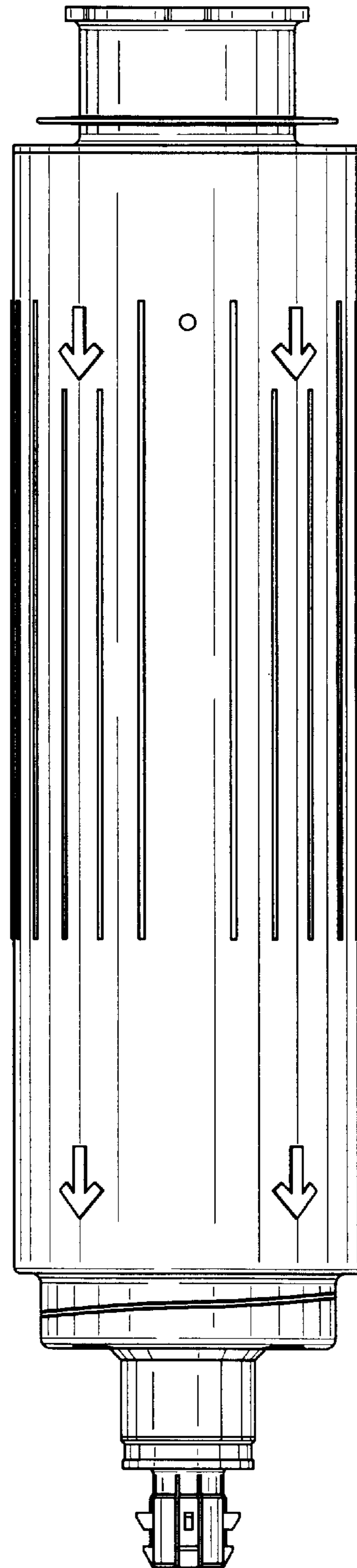


FIG. 3

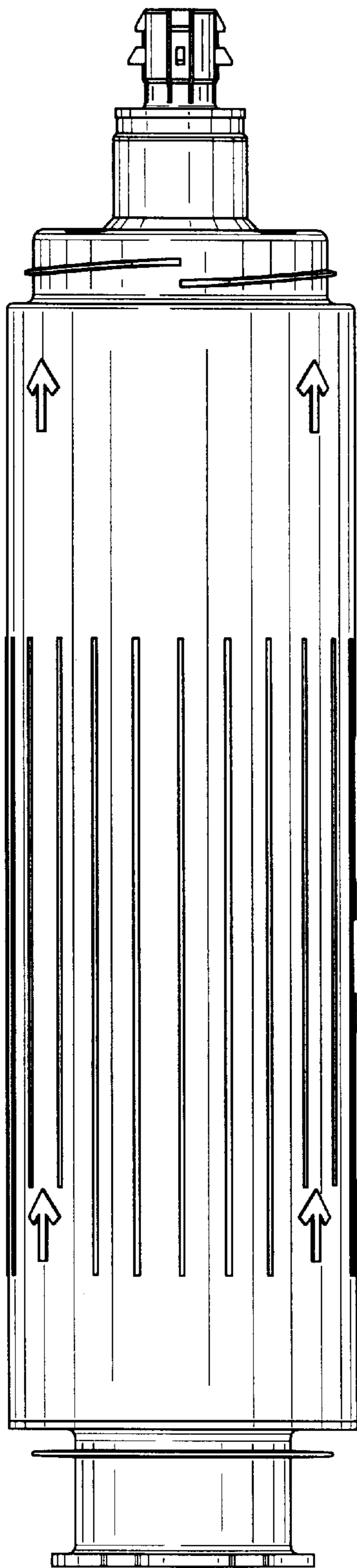


FIG. 4

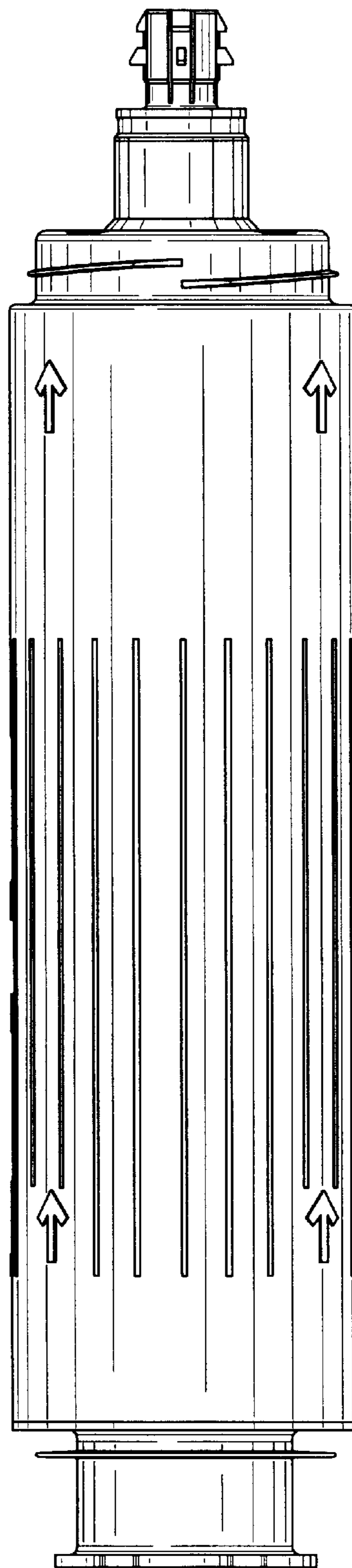


FIG. 5

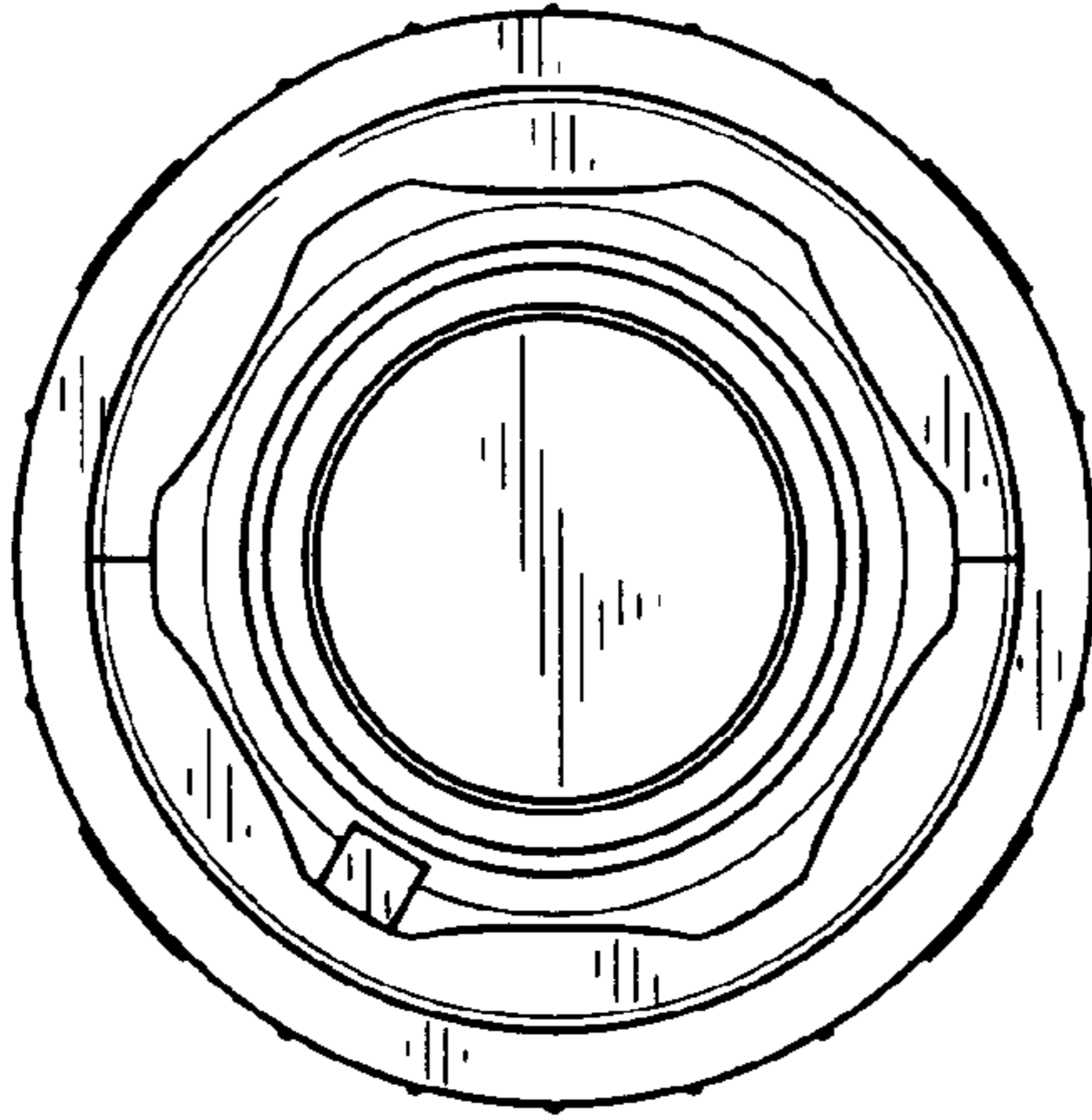


FIG. 6

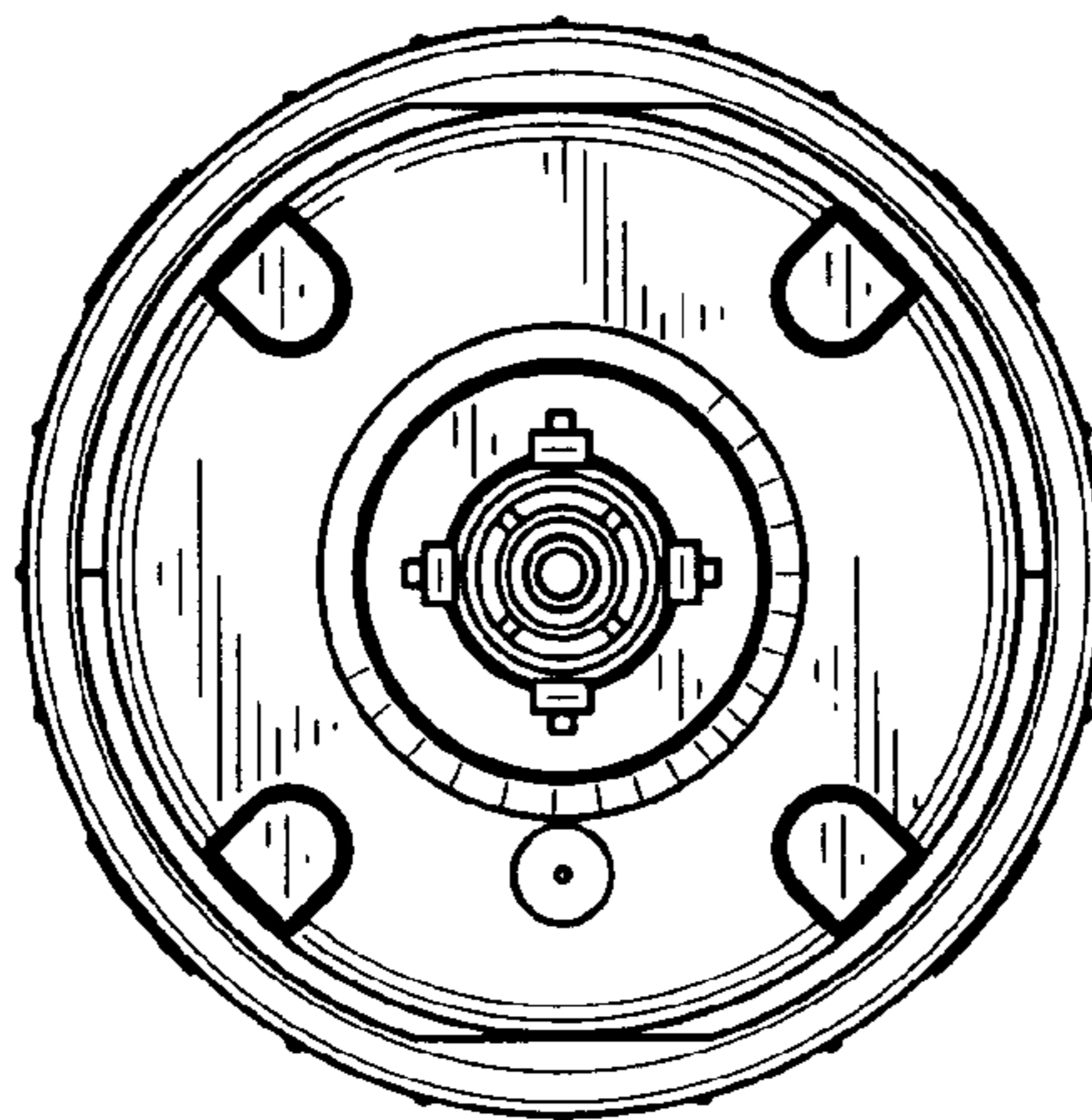
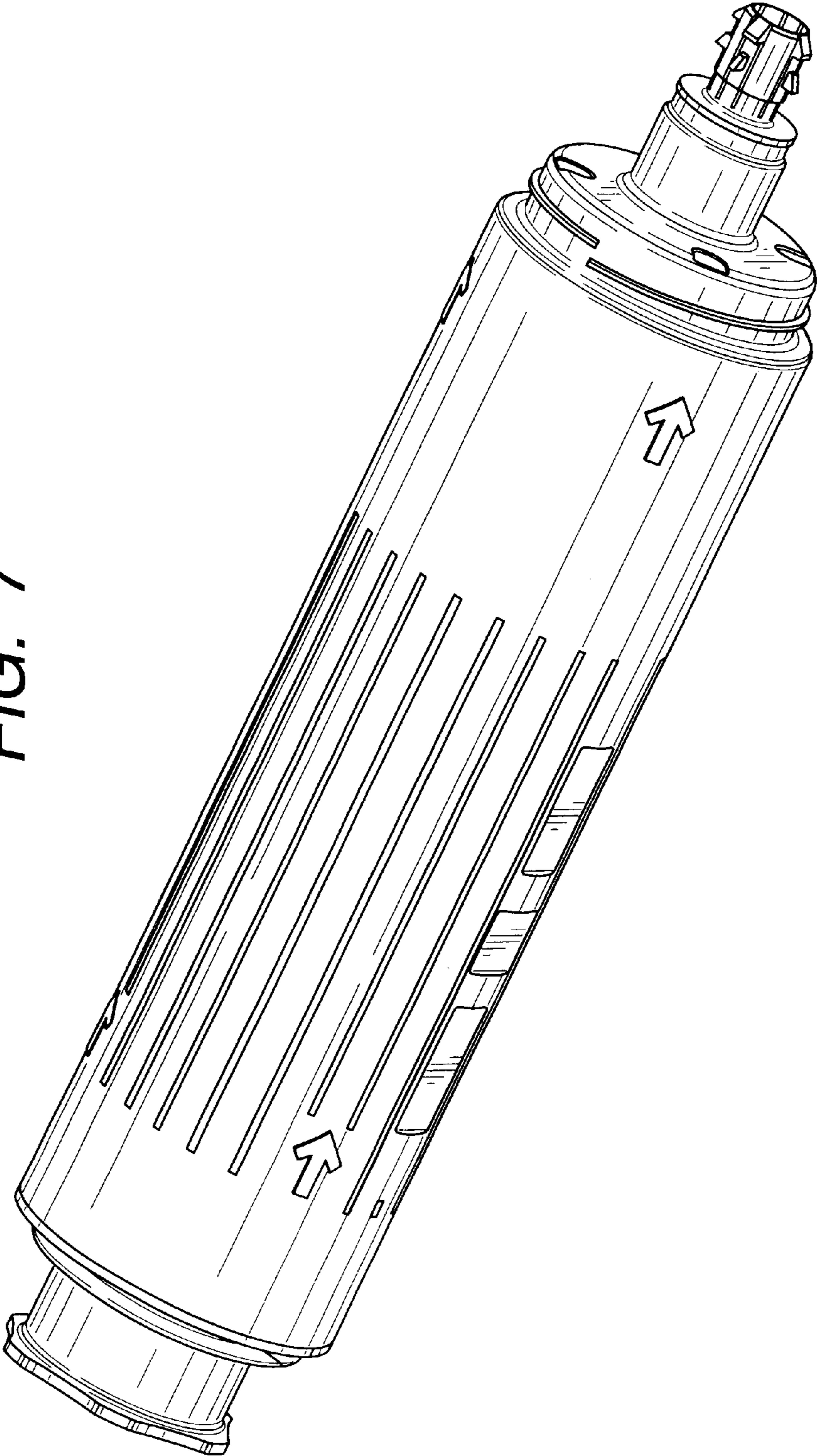


FIG. 7



UNITED STATES PATENT AND TRADEMARK OFFICE
CERTIFICATE OF CORRECTION

PATENT NO. : Des. 538,331 S
APPLICATION NO. : 29/223832
DATED : March 13, 2007
INVENTOR(S) : Fumio Tazawa

Page 1 of 1

It is certified that error appears in the above-identified patent and that said Letters Patent is hereby corrected as shown below:

Title Page;
NOTICE

Insert: --(*) Notice: This patent is subject to a terminal disclaimer--.

Signed and Sealed this

Thirty-first Day of July, 2007

A handwritten signature in black ink on a dotted background. The signature reads "Jon W. Dudas" in a cursive style.

JON W. DUDAS

Director of the United States Patent and Trademark Office