



US00D538329S

(12) **United States Design Patent**  
**Yu**

(10) **Patent No.:** **US D538,329 S**  
(45) **Date of Patent:** **\*\* Mar. 13, 2007**

- (54) **STAMP ASSEMBLY**
- (75) Inventor: **Yuan-Tsai Yu**, Sinjhuang (TW)
- (73) Assignee: **Megilo Co., Ltd.**, Sinjhuang (TW)
- (\*\*) Term: **14 Years**
- (21) Appl. No.: **29/251,815**
- (22) Filed: **Jan. 13, 2006**
- (51) **LOC (8) Cl.** ..... **19-02**
- (52) **U.S. Cl.** ..... **D18/15**
- (58) **Field of Classification Search** ..... D18/15-18,  
D18/50; 101/333-334, 327, 405, 406, 328,  
101/352.07; 118/264, 268  
See application file for complete search history.

- D493,192 S \* 7/2004 Sculler et al. .... D18/15
- 6,761,114 B2 \* 7/2004 Koneczny et al. .... 101/333
- 7,077,063 B2 \* 7/2006 Petersen ..... 101/333
- 7,086,331 B2 \* 8/2006 Moody ..... 101/334

\* cited by examiner

*Primary Examiner*—Charles A. Rademaker  
(74) *Attorney, Agent, or Firm*—Rabin & Berdo, P.C.

(57) **CLAIM**

The ornamental design for a stamp assembly, as shown.

**DESCRIPTION**

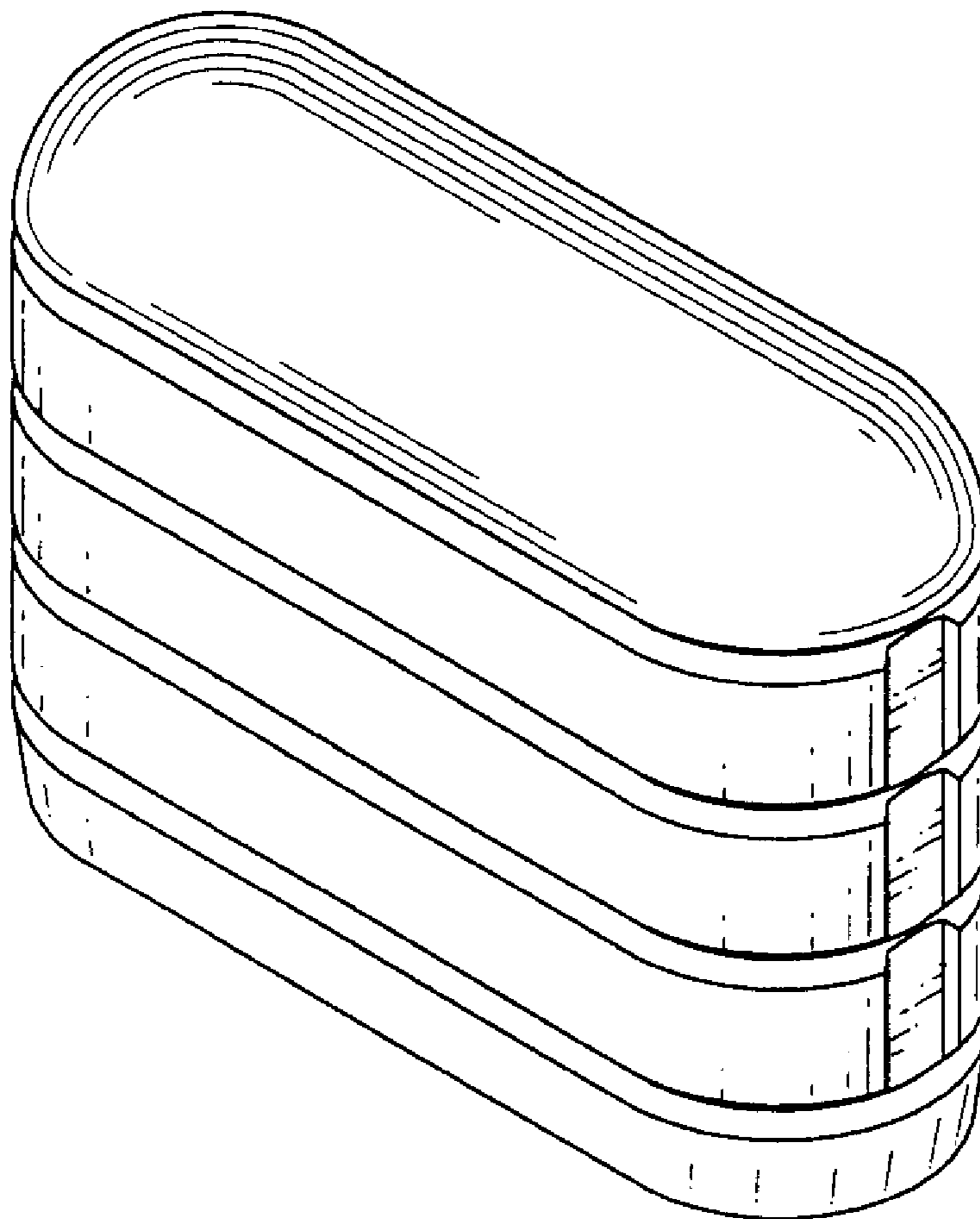
FIG. 1 is a perspective view of a stamp assembly, showing my new design;  
 FIG. 2 is a front elevational view thereof, wherein the rear elevational view is the same as that of the front elevational view;  
 FIG. 3 is a right elevational view thereof, which is the same as that of the left elevational view thereof;  
 FIG. 4 is a top plan view thereof;  
 FIG. 5 is a bottom plan view thereof; and,  
 FIG. 6 is another perspective view thereof showing the design in an exploded condition.

**1 Claim, 3 Drawing Sheets**

(56) **References Cited**

**U.S. PATENT DOCUMENTS**

- 2,584,908 A \* 2/1952 Oblinger ..... 101/333
- D196,529 S \* 10/1963 Moser et al. .... D18/15
- D323,527 S \* 1/1992 Weir et al. .... D18/15
- D387,799 S \* 12/1997 Daw et al. .... D18/15
- 5,909,709 A \* 6/1999 An et al. .... 101/333



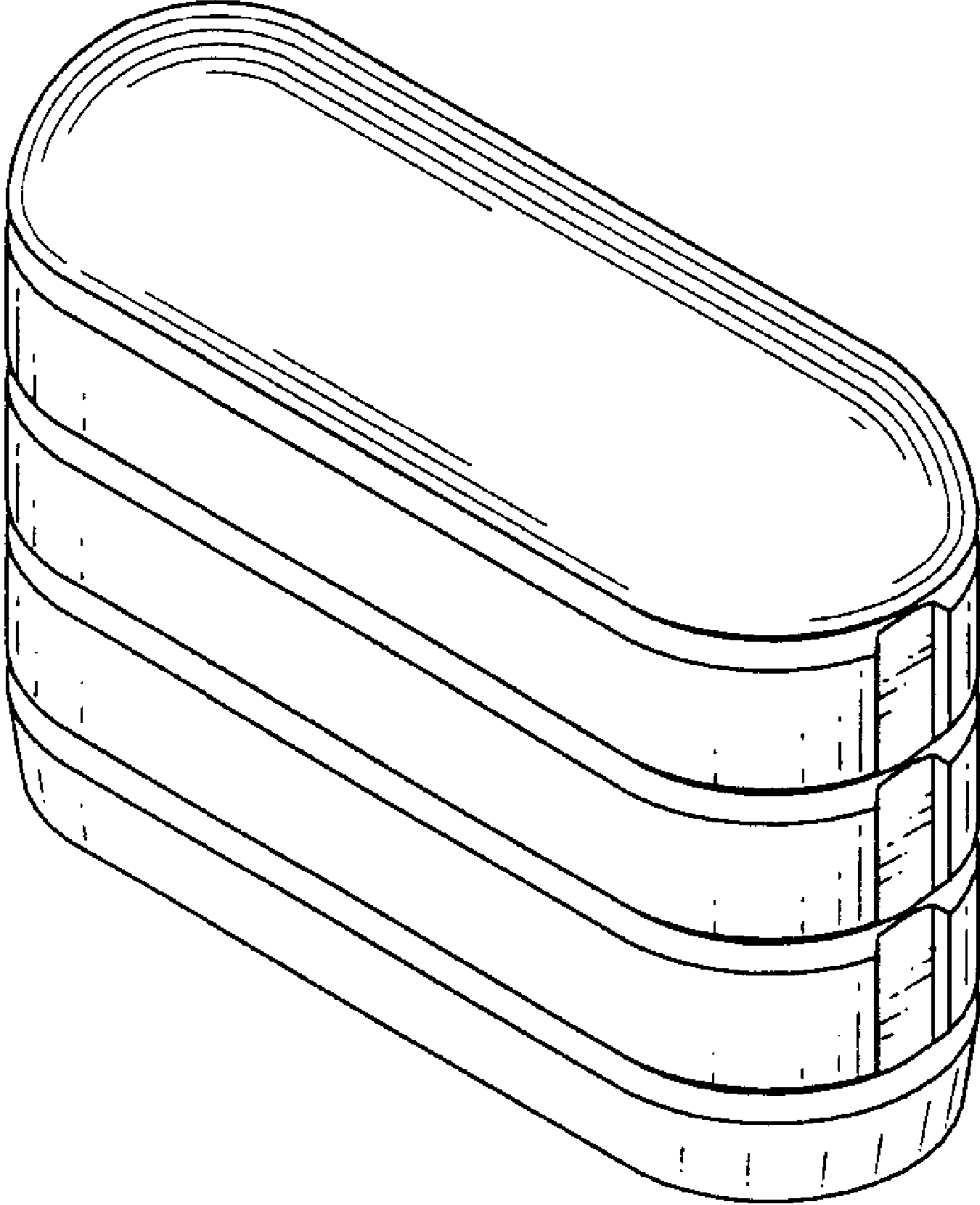


FIG. 1

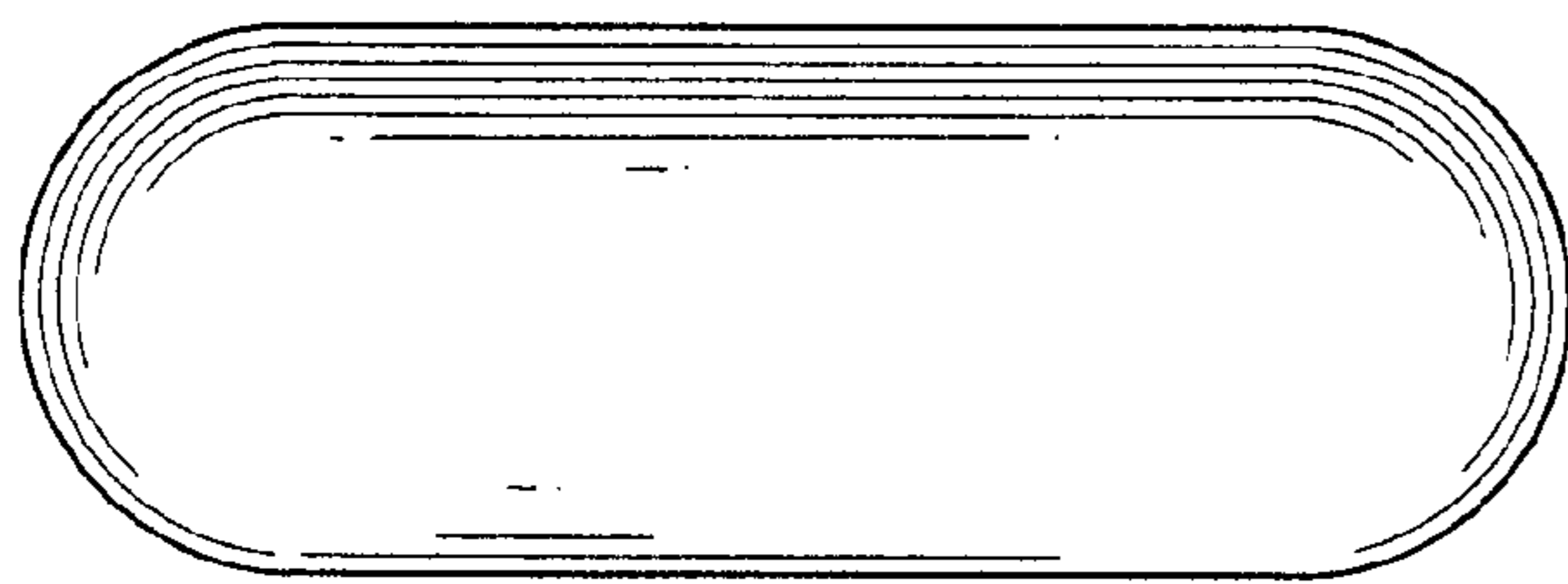


FIG. 4

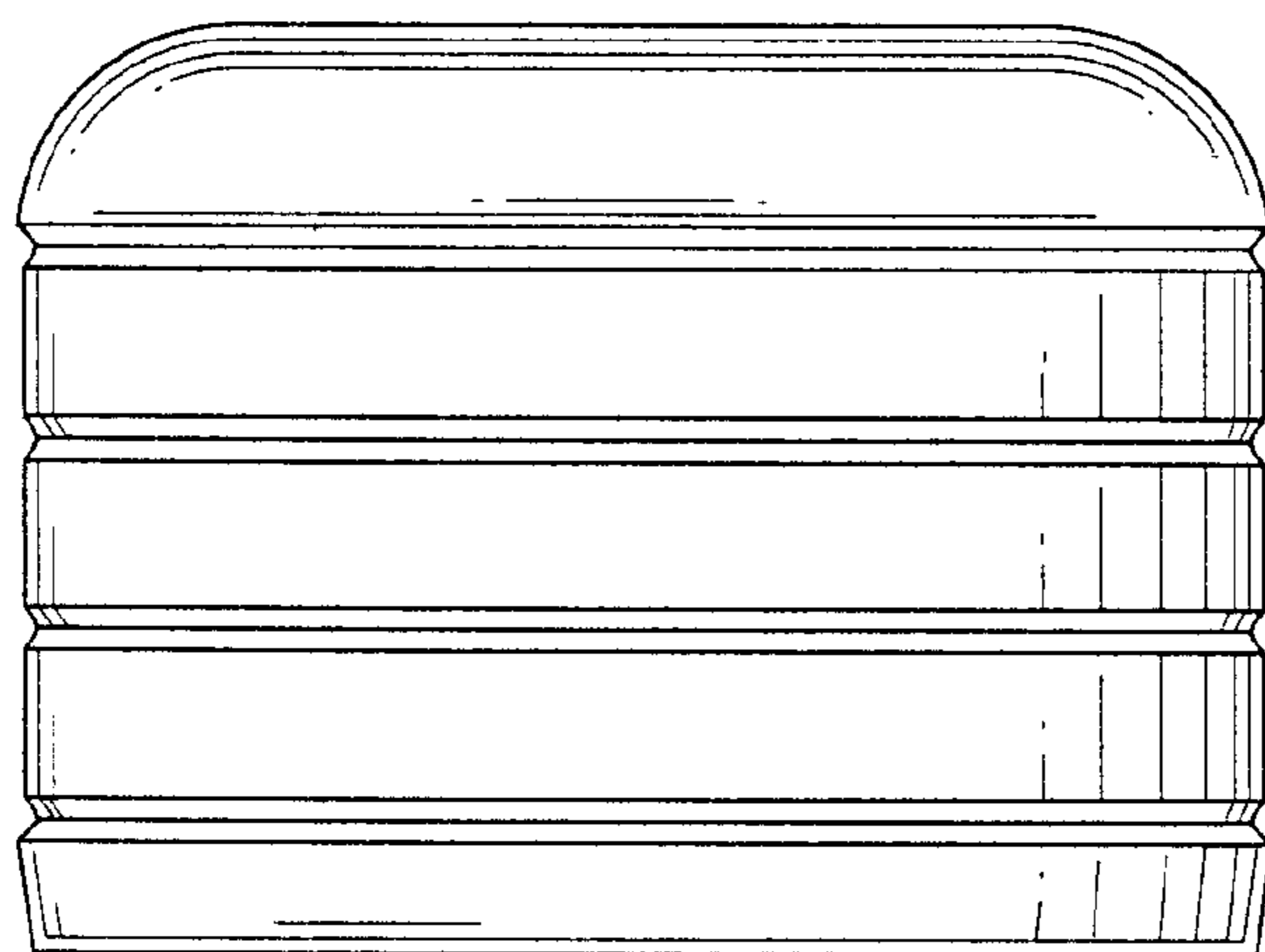


FIG. 2

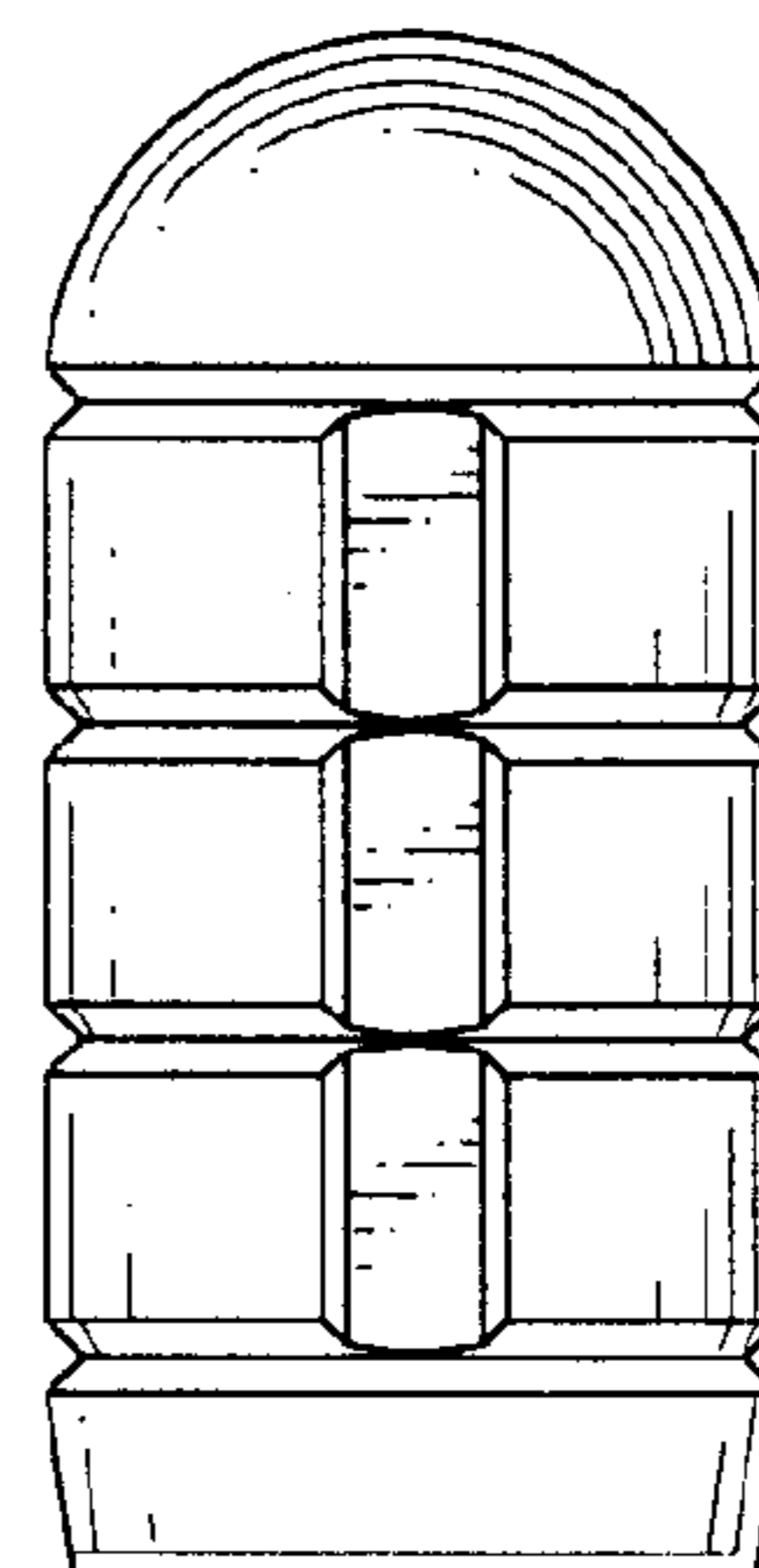


FIG. 3

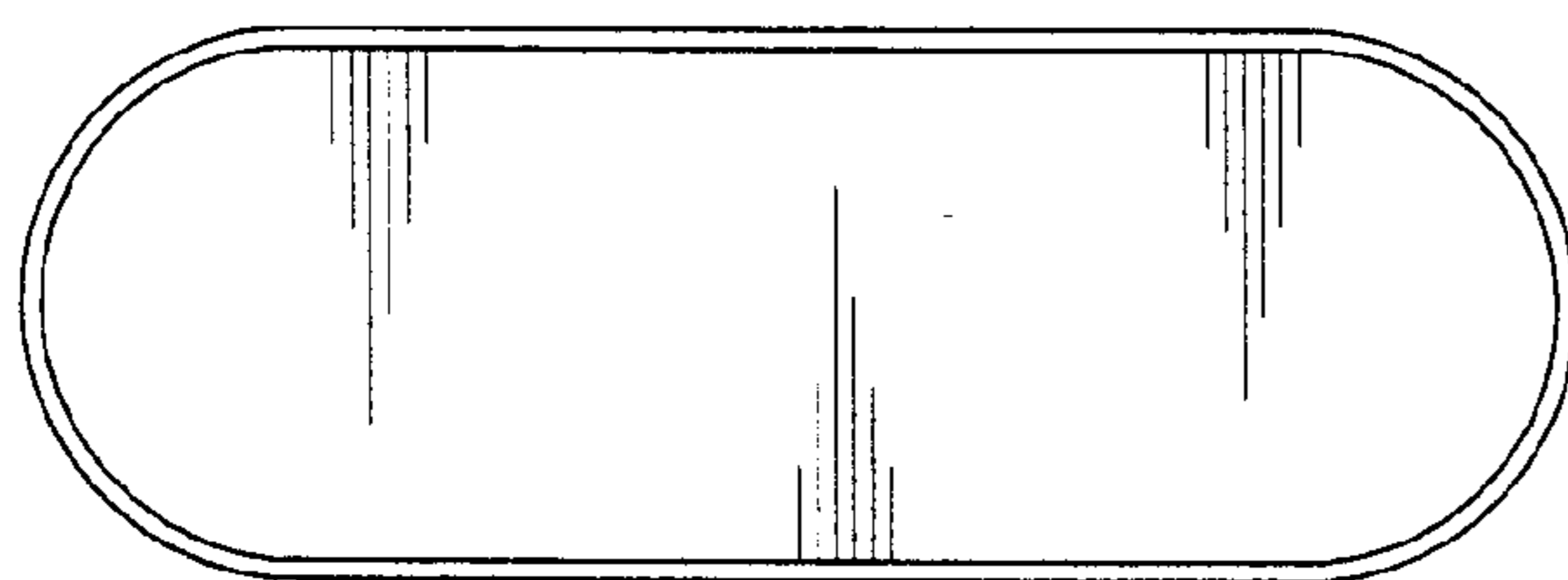


FIG. 5

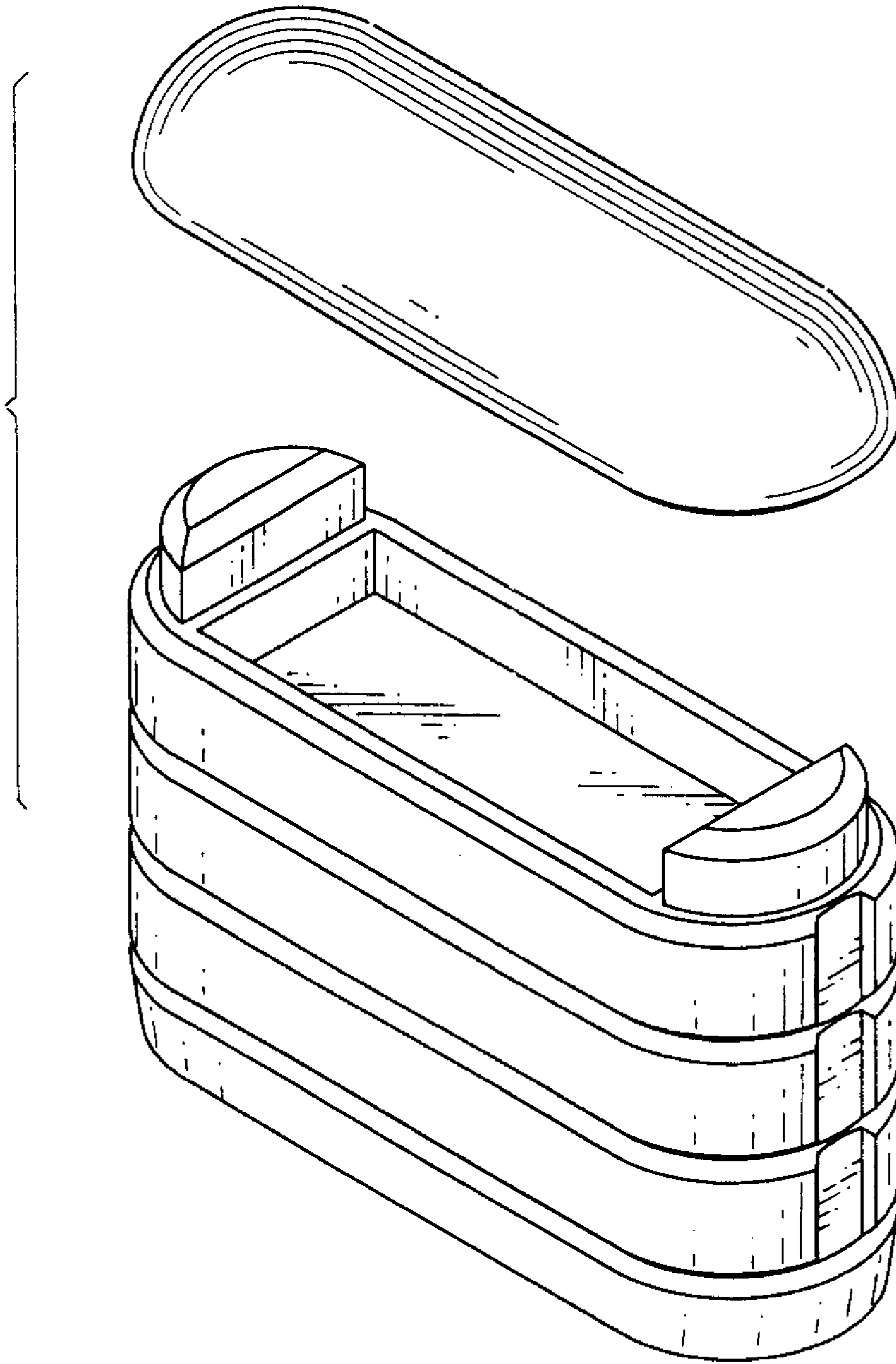


FIG. 6