

US00D538328S

(12) **United States Design Patent**
Faber

(10) **Patent No.:** **US D538,328 S**

(45) **Date of Patent:** **** Mar. 13, 2007**

(54) **PRINTER STAMP**

(75) **Inventor:** **Ernst Faber, Weis (AT)**

(73) **Assignee:** **Colop Stepelerzeugung Skopek GmbH. & Co. KG, Wels (AT)**

(**) **Term:** **14 Years**

(21) **Appl. No.:** **29/234,878**

(22) **Filed:** **Jul. 22, 2005**

(30) **Foreign Application Priority Data**

Jan. 25, 2005 (AT) MU 65/2005

(51) **LOC (8) Cl.** **19-02**

(52) **U.S. Cl.** **D18/15**

(58) **Field of Classification Search** D18/15-18,
D18/50; 101/333-334, 327, 405, 406, 328,
101/352.07; 118/264, 268

See application file for complete search history.

(56) **References Cited**

U.S. PATENT DOCUMENTS

284,243 A * 9/1883 Scottford 101/334
D101,469 S * 10/1936 Melid D18/15
2,075,169 A * 3/1937 Brown 101/333
2,079,080 A * 5/1937 Melind 101/334
2,252,649 A * 8/1941 Smallman 101/333
3,359,897 A * 12/1967 Harte 101/405

5,359,932 A * 11/1994 Van Breene 101/334
D400,566 S * 11/1998 Schreiberhuber D18/15
D417,464 S * 12/1999 Skopek D18/15
D421,452 S * 3/2000 Pichler D18/15
7,073,437 B2 * 7/2006 Petersen 101/333

FOREIGN PATENT DOCUMENTS

GB 2065671 * 2/1997
GB 2072572 * 2/1998

* cited by examiner

Primary Examiner—Charles A. Rademaker

(74) *Attorney, Agent, or Firm*—Abelman, Frayne & Schwab

(57) **CLAIM**

The ornamental design for a printer stamp, as shown and described.

DESCRIPTION

FIG. 1 is a top front left side perspective view of a printer stamp showing my new design;

FIG. 2 is a top rear right side perspective view thereof;

FIG. 3 is a front elevational view thereof;

FIG. 4 is a rear elevational view thereof;

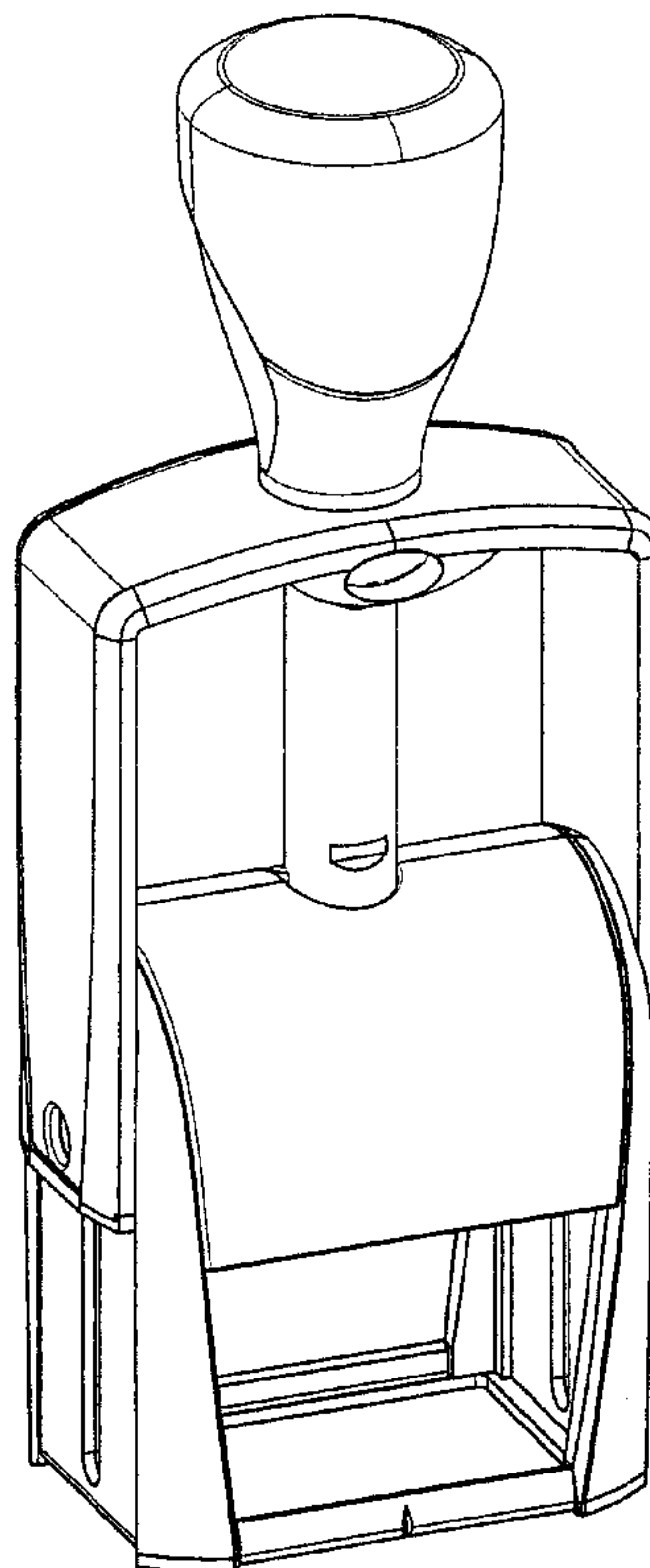
FIG. 5 is a left side elevational view thereof;

FIG. 6 is a right side elevational view thereof;

FIG. 7 is a top plan view thereof; and,

FIG. 8 is a bottom plan view thereof.

1 Claim, 8 Drawing Sheets



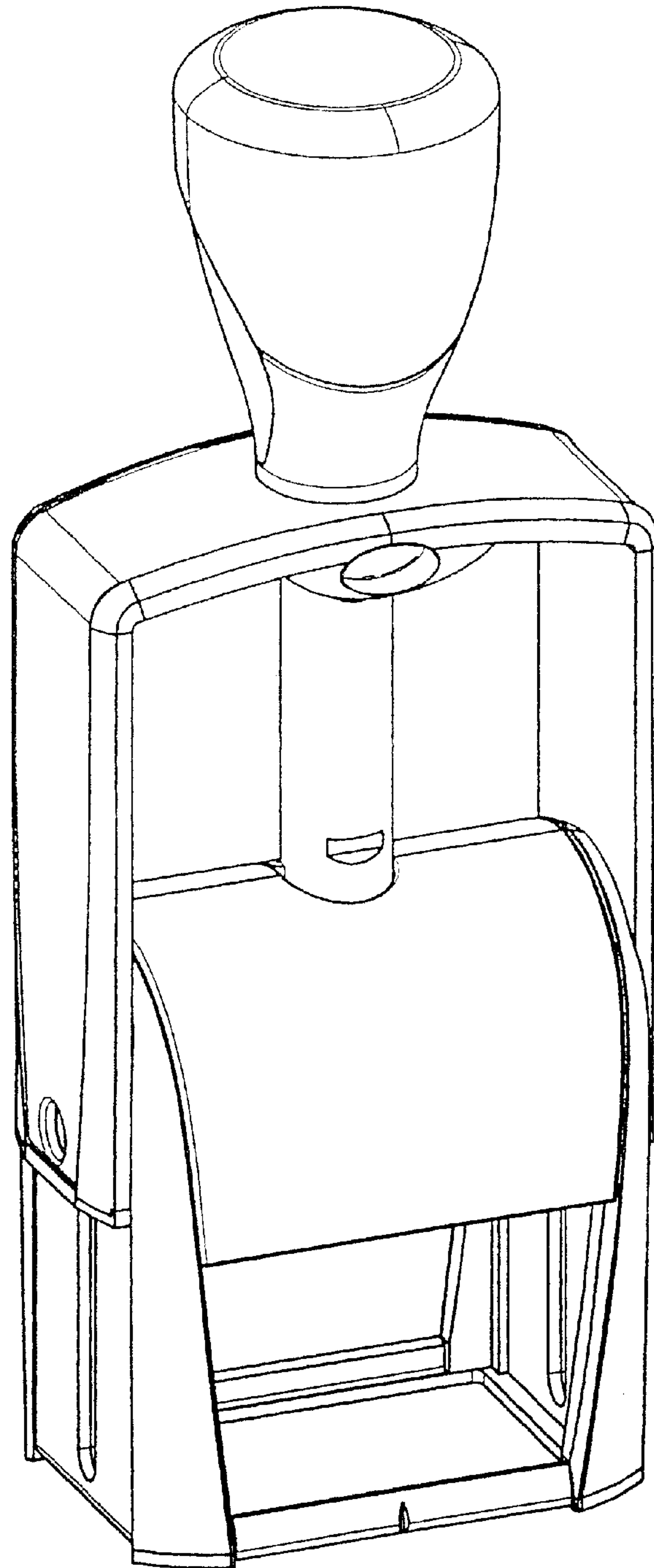


FIG. 1

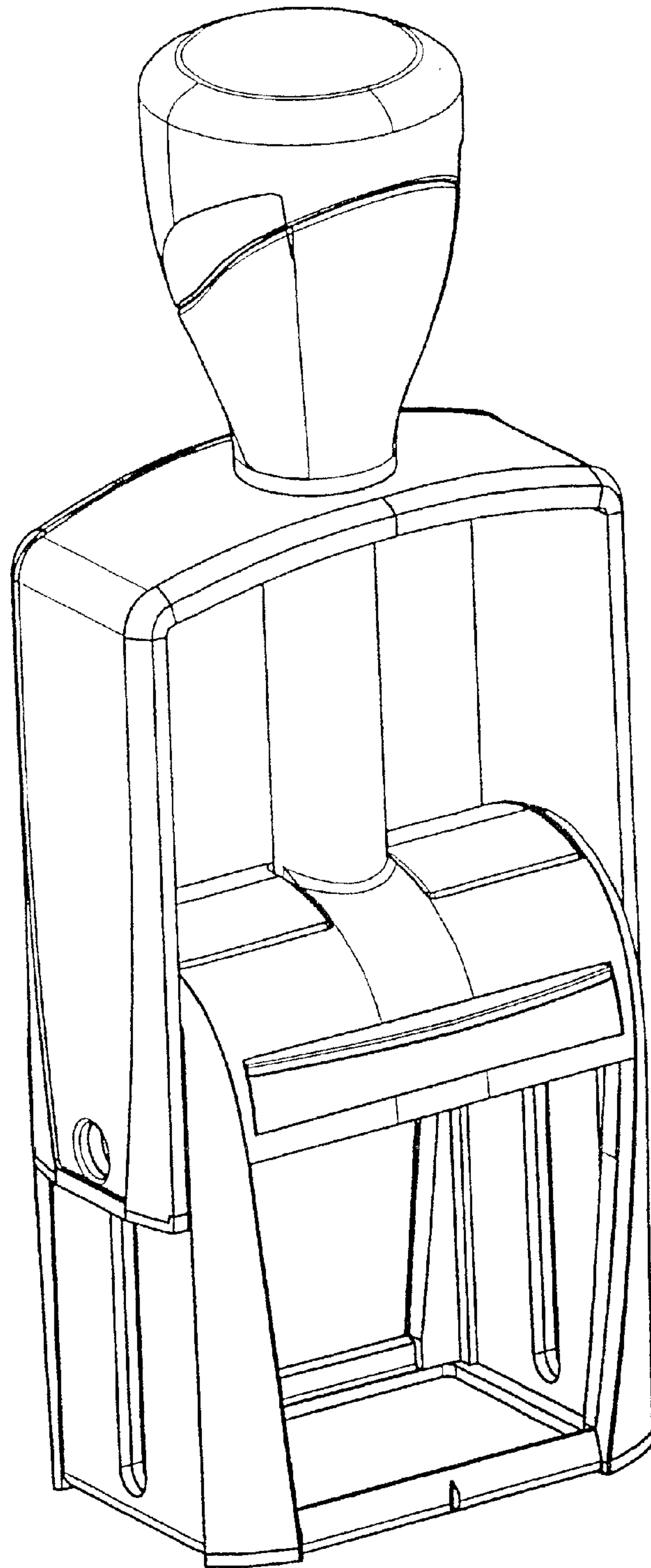


FIG. 2

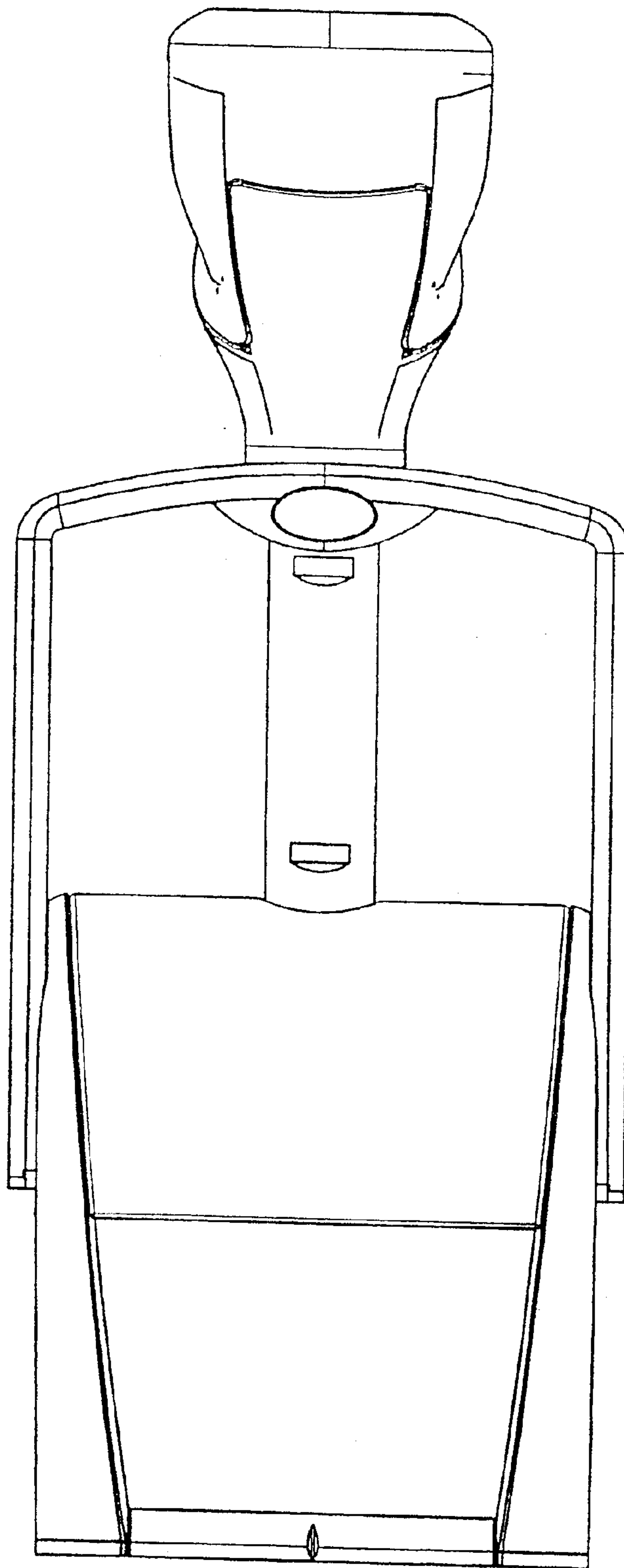


FIG. 3

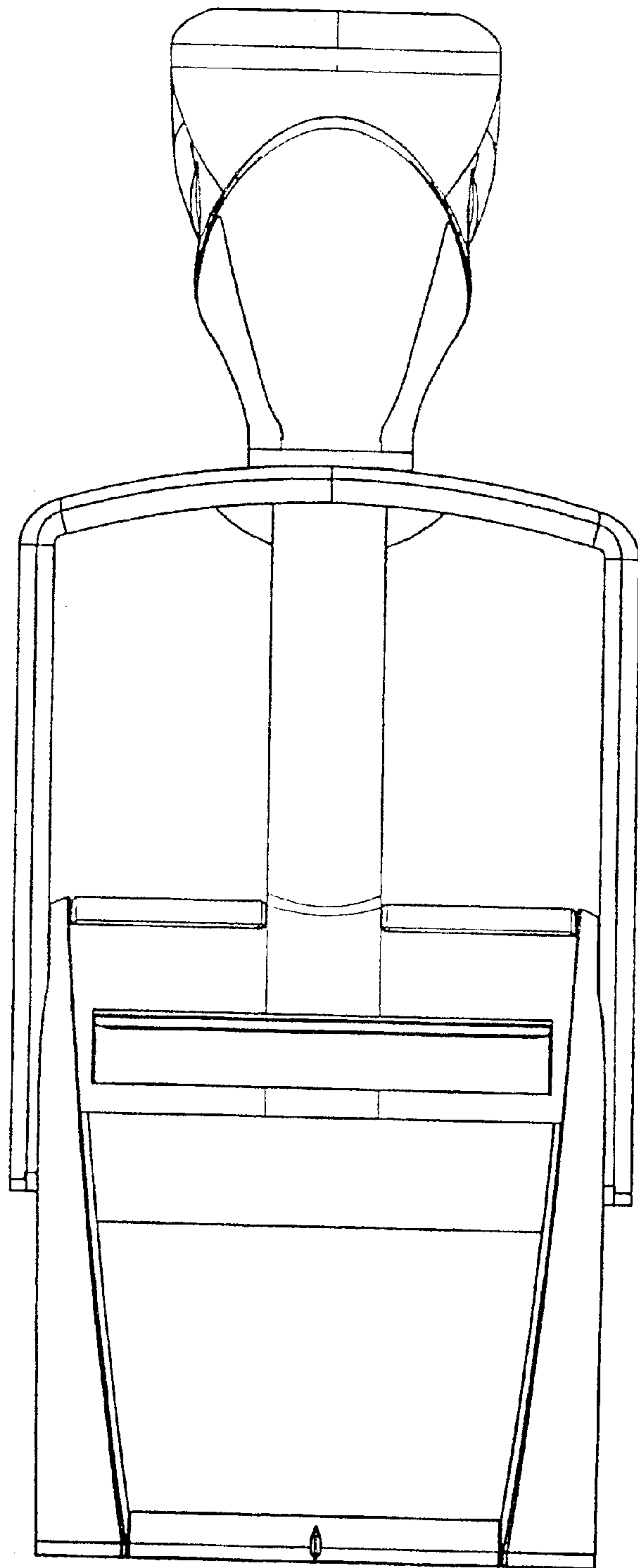


FIG. 4

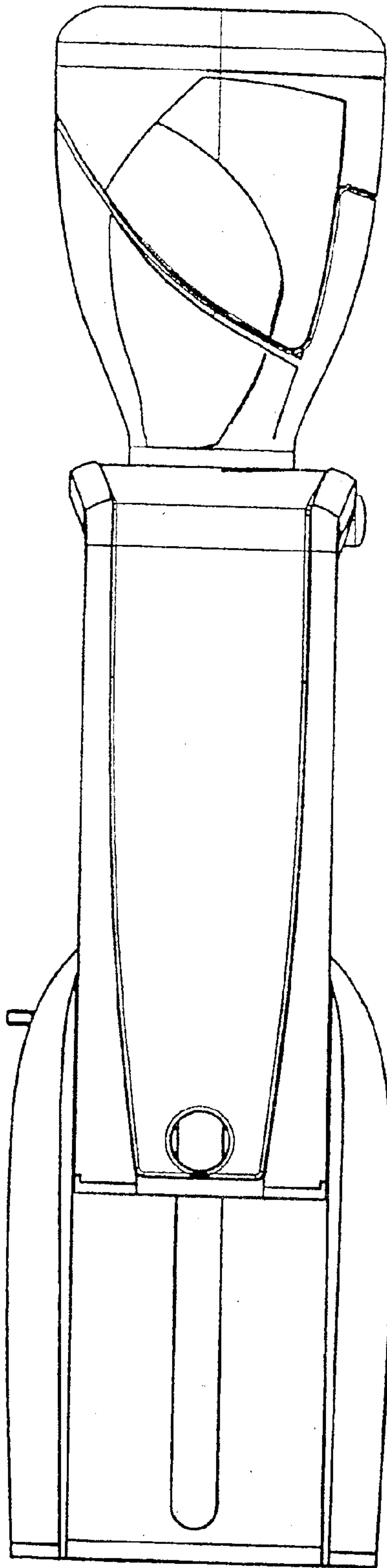


FIG. 5

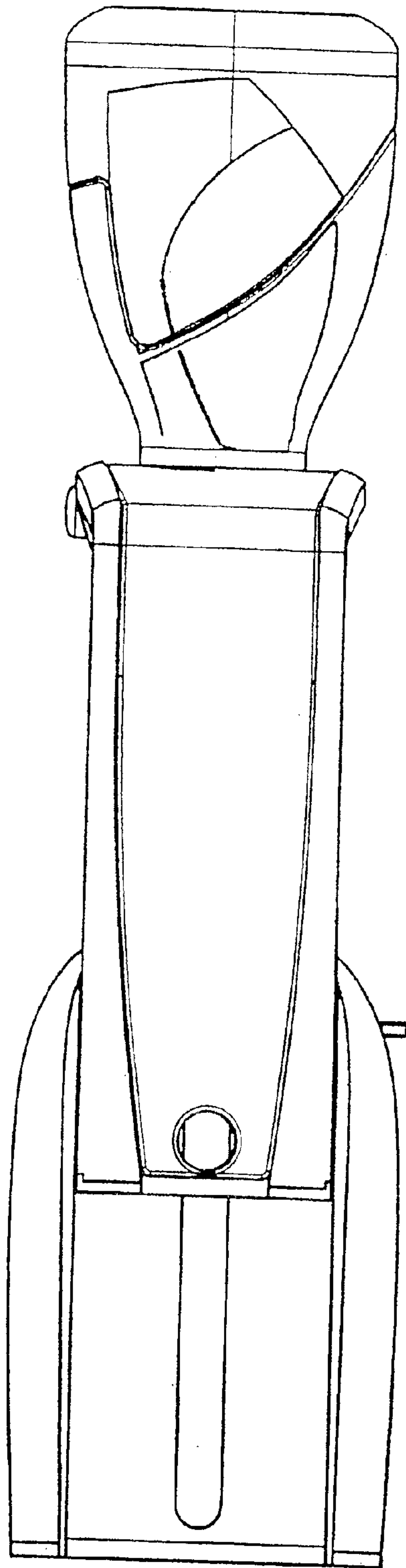


FIG. 6

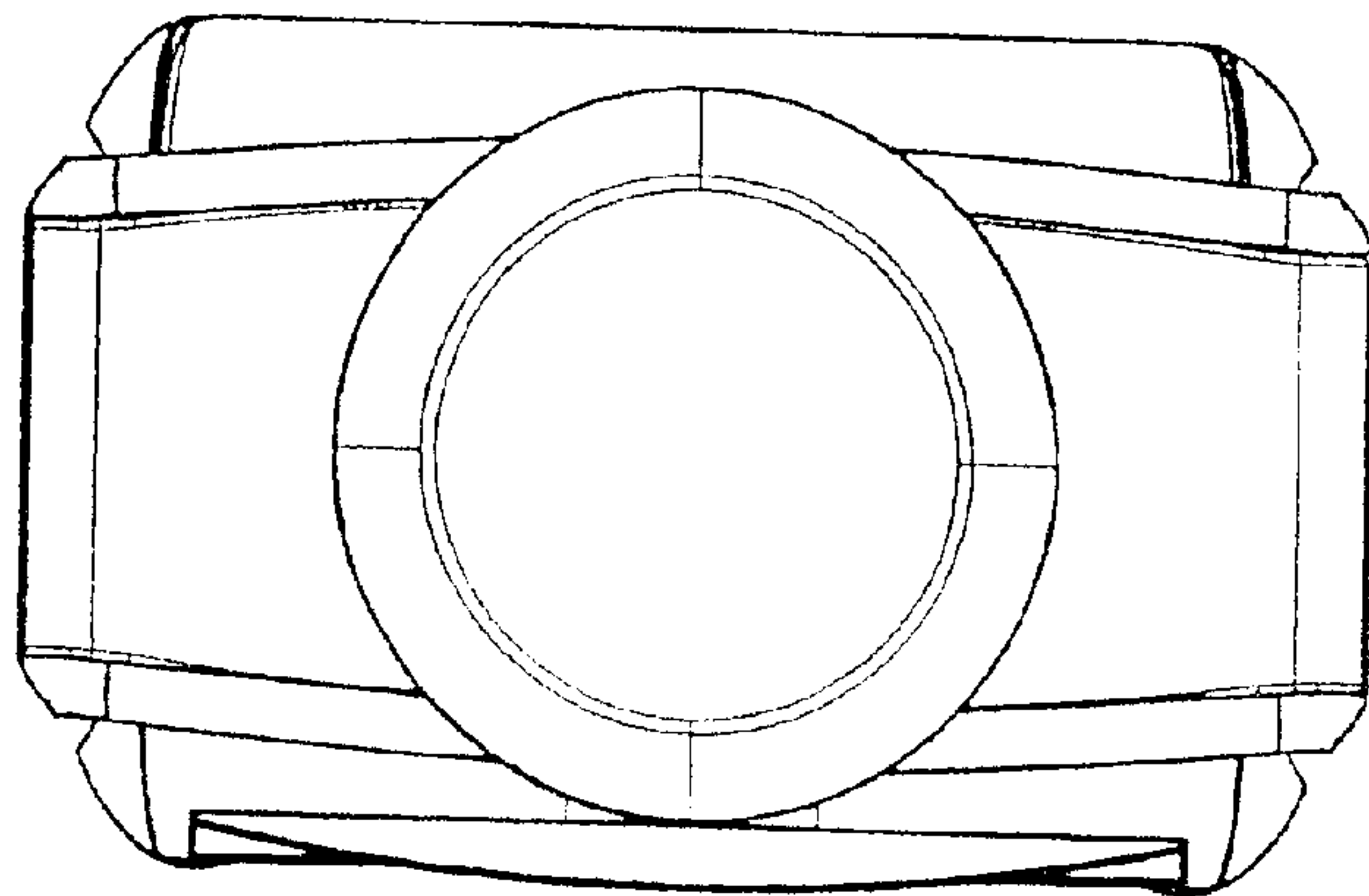


FIG. 7

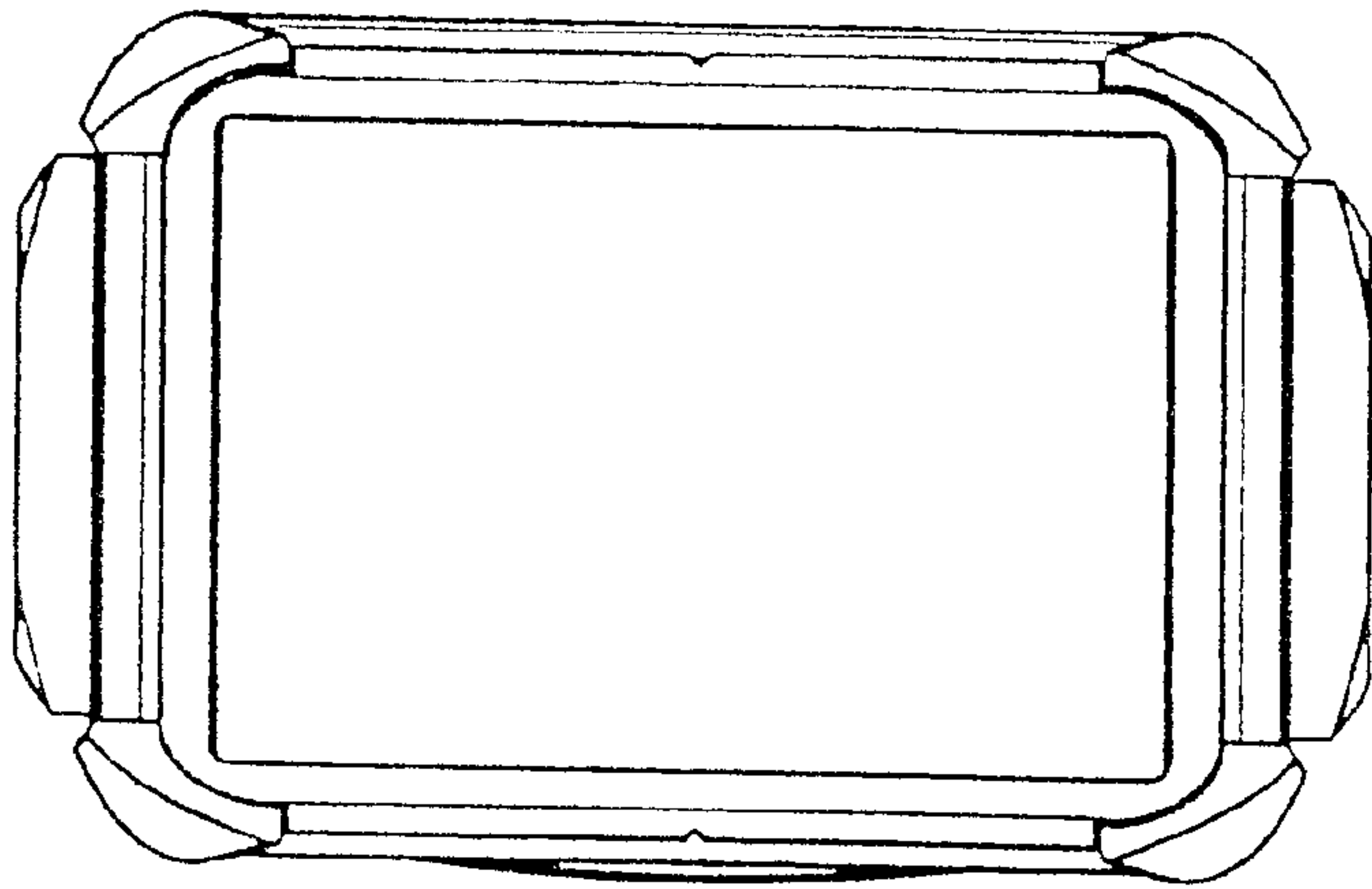


FIG. 8