



US00D538323S

(12) **United States Design Patent**  
**Sato**

(10) **Patent No.:** **US D538,323 S**

(45) **Date of Patent:** **\*\* Mar. 13, 2007**

(54) **CAMERA**

(75) Inventor: **Jun Sato**, Tokyo (JP)

(73) Assignee: **Fuji Photo Film Co., Ltd.**, Kanagawa (JP)

(\*\*) Term: **14 Years**

(21) Appl. No.: **29/212,907**

(22) Filed: **Sep. 10, 2004**

(30) **Foreign Application Priority Data**

Mar. 12, 2004 (JP) ..... 2004-007480

(51) **LOC (8) Cl.** ..... **16-05**

(52) **U.S. Cl.** ..... **D16/219**

(58) **Field of Classification Search** ..... D16/200–205,  
D16/208, 218, 219; 348/373–376; 358/906,  
358/909.1; 396/535–541  
See application file for complete search history.

(56) **References Cited**

**U.S. PATENT DOCUMENTS**

5,897,234 A \* 4/1999 Tanaka ..... 396/535  
D410,482 S \* 6/1999 Kawai ..... D16/218

D440,590 S \* 4/2001 Yoshida ..... D16/209  
D454,579 S \* 3/2002 Yoshida ..... D16/209  
D456,438 S \* 4/2002 Kawai ..... D16/218  
D460,774 S 7/2002 Katayama  
D475,384 S \* 6/2003 Tanaka ..... D16/202  
D487,766 S \* 3/2004 Tanaka ..... D16/219

\* cited by examiner

*Primary Examiner*—Adir Aronovich

(74) *Attorney, Agent, or Firm*—Young & Thompson

(57) **CLAIM**

The ornamental design for a camera, as shown and described.

**DESCRIPTION**

FIG. 1 is a top, front and side perspective view of the camera showing my new design;  
FIG. 2 is a front elevational view thereof;  
FIG. 3 is a rear elevational view thereof; and,  
FIG. 4 is a top plan view thereof.  
The portions of the camera in broken lines are shown to illustrate the environment only and form no part of the claimed design.

**1 Claim, 2 Drawing Sheets**

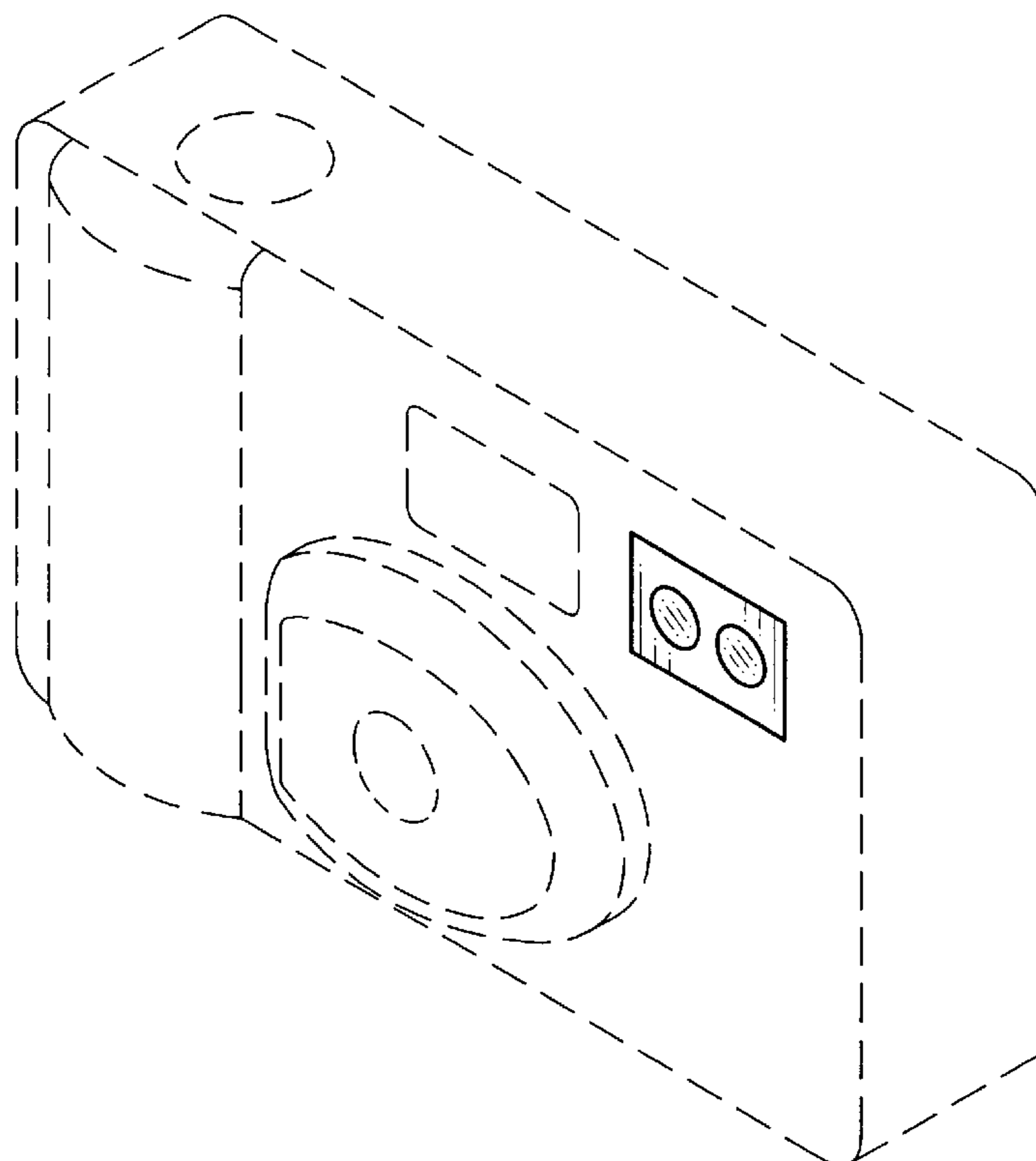


FIG.1

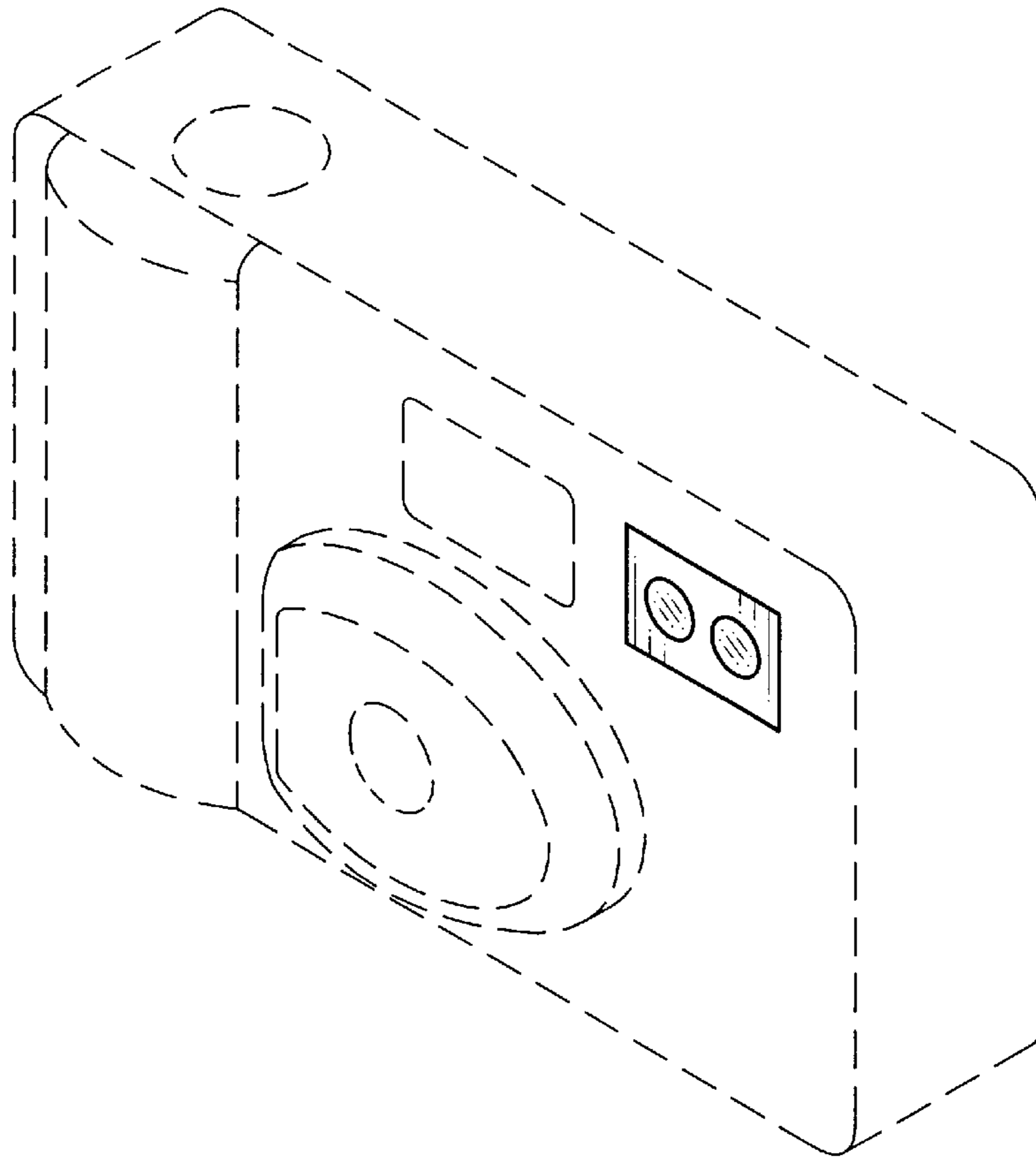


FIG.2

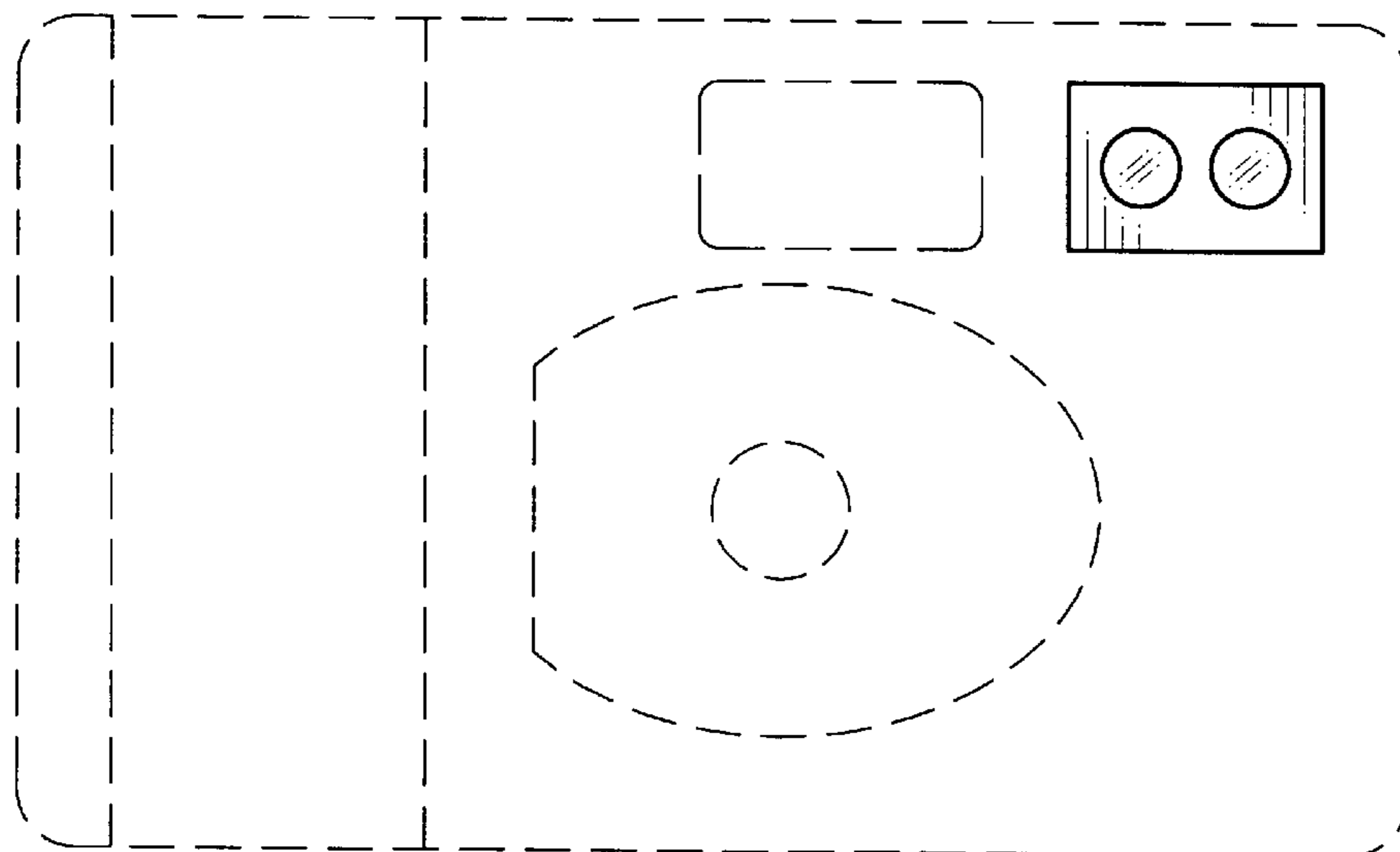


FIG.3

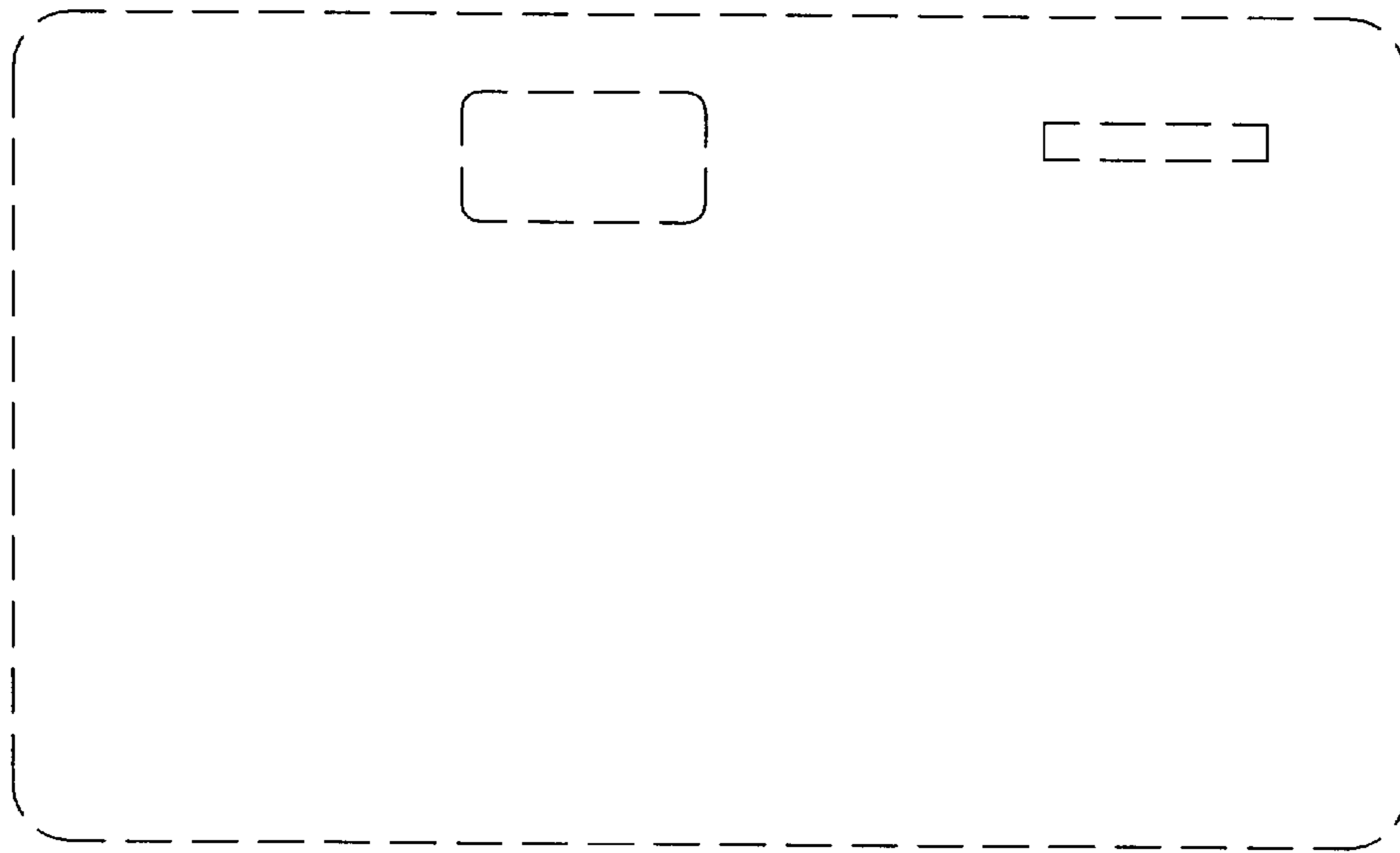


FIG.4

