



US00D538322S

(12) **United States Design Patent**
Horikiri

(10) **Patent No.:** **US D538,322 S**

(45) **Date of Patent:** **** Mar. 13, 2007**

(54) **DIGITAL CAMERA**

(75) Inventor: **Kazuhisa Horikiri**, Tokyo (JP)

(73) Assignee: **Fuji Photo Film Co., Ltd.**, Kanagawa (JP)

(**) Term: **14 Years**

(21) Appl. No.: **29/230,323**

(22) Filed: **May 18, 2005**

(30) **Foreign Application Priority Data**

Nov. 19, 2004 (JP) 2004-035494

(51) **LOC (8) Cl.** **16-01**

(52) **U.S. Cl.** **D16/202**

(58) **Field of Classification Search** D16/200-204,
D16/208, 212, 218, 219; 348/373-376; 358/909.1;
396/535-541

See application file for complete search history.

(56) **References Cited**

U.S. PATENT DOCUMENTS

- 6,434,337 B1 * 8/2002 Misawa 358/909.1
- D479,547 S * 9/2003 Nagayama D16/202
- D507,586 S * 7/2005 Nakamura D16/202
- D516,599 S * 3/2006 Nakamura D16/218

- D522,555 S * 6/2006 Choi D16/202
- D522,556 S * 6/2006 Yoshida D16/202

* cited by examiner

Primary Examiner—Adir Aronovich

(74) *Attorney, Agent, or Firm*—Koda & Androlia

(57) **CLAIM**

The ornamental design for a digital camera, as shown and described.

DESCRIPTION

FIG. 1 is a front elevational view of the digital camera showing my new design;

FIG. 2 is a rear elevational view thereof;

FIG. 3 is a left side elevational view thereof;

FIG. 4 is a right side elevational view thereof;

FIG. 5 is a top plan view thereof;

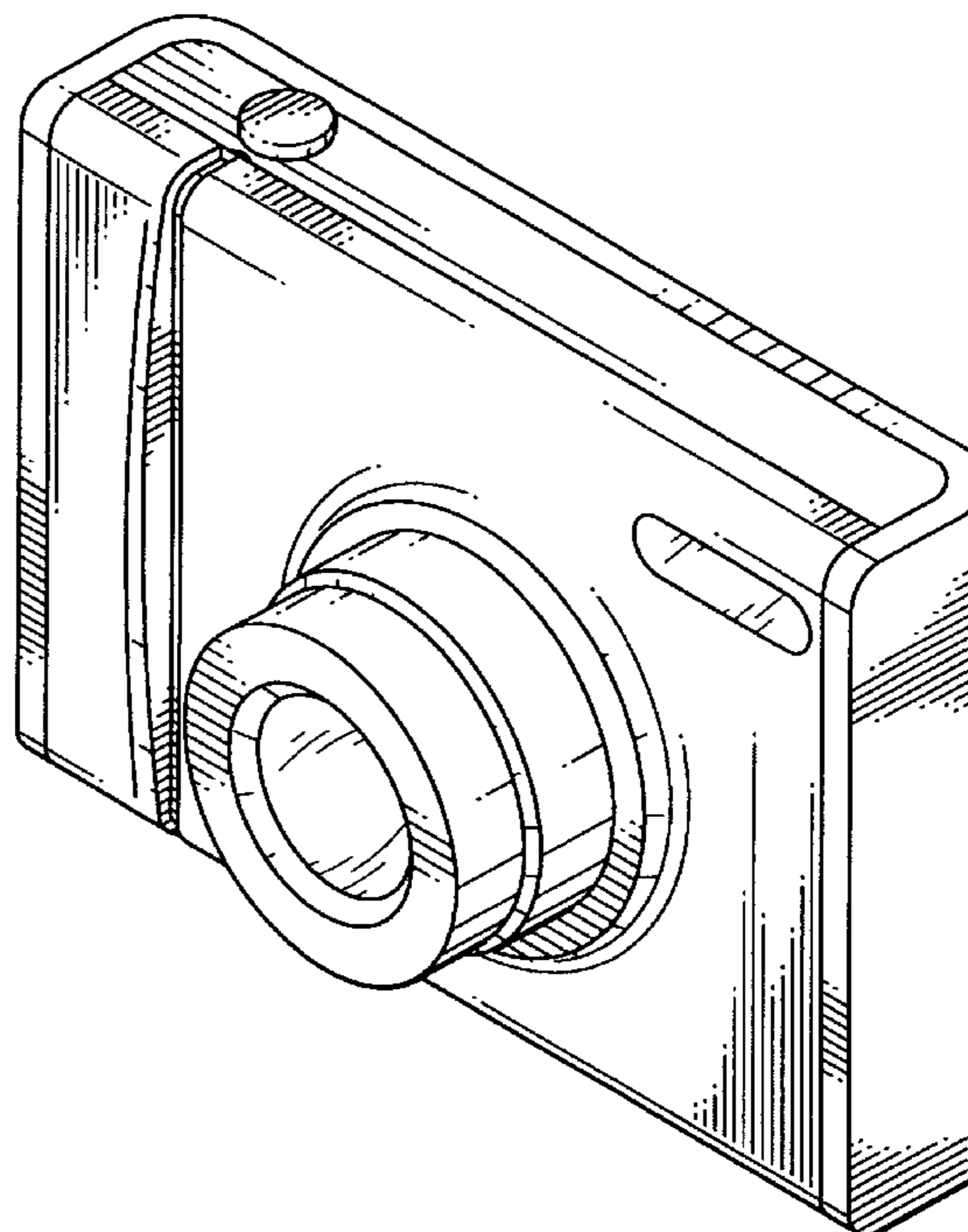
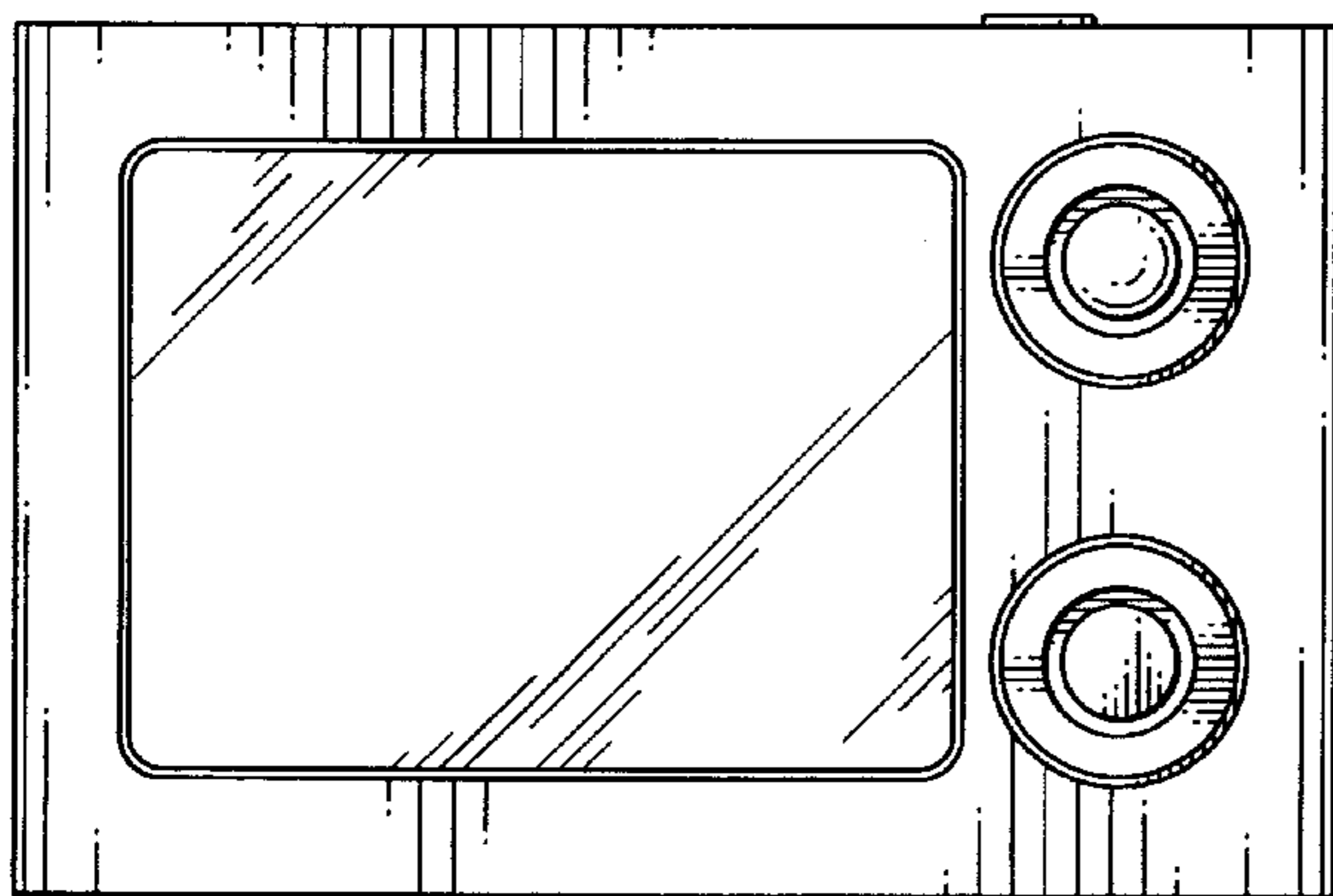
FIG. 6 is a bottom plan view thereof;

FIG. 7 is a front elevational view of the digital camera with the telescopic lens assembly extended and the lens cover opened, the rear view being the same as FIG. 2;

FIG. 8 is a top plan view thereof; and,

FIG. 9 is a perspective view of the digital camera taken from the front, top and right side thereof with the telescopic lens assembly extended and the lens cover opened.

1 Claim, 5 Drawing Sheets



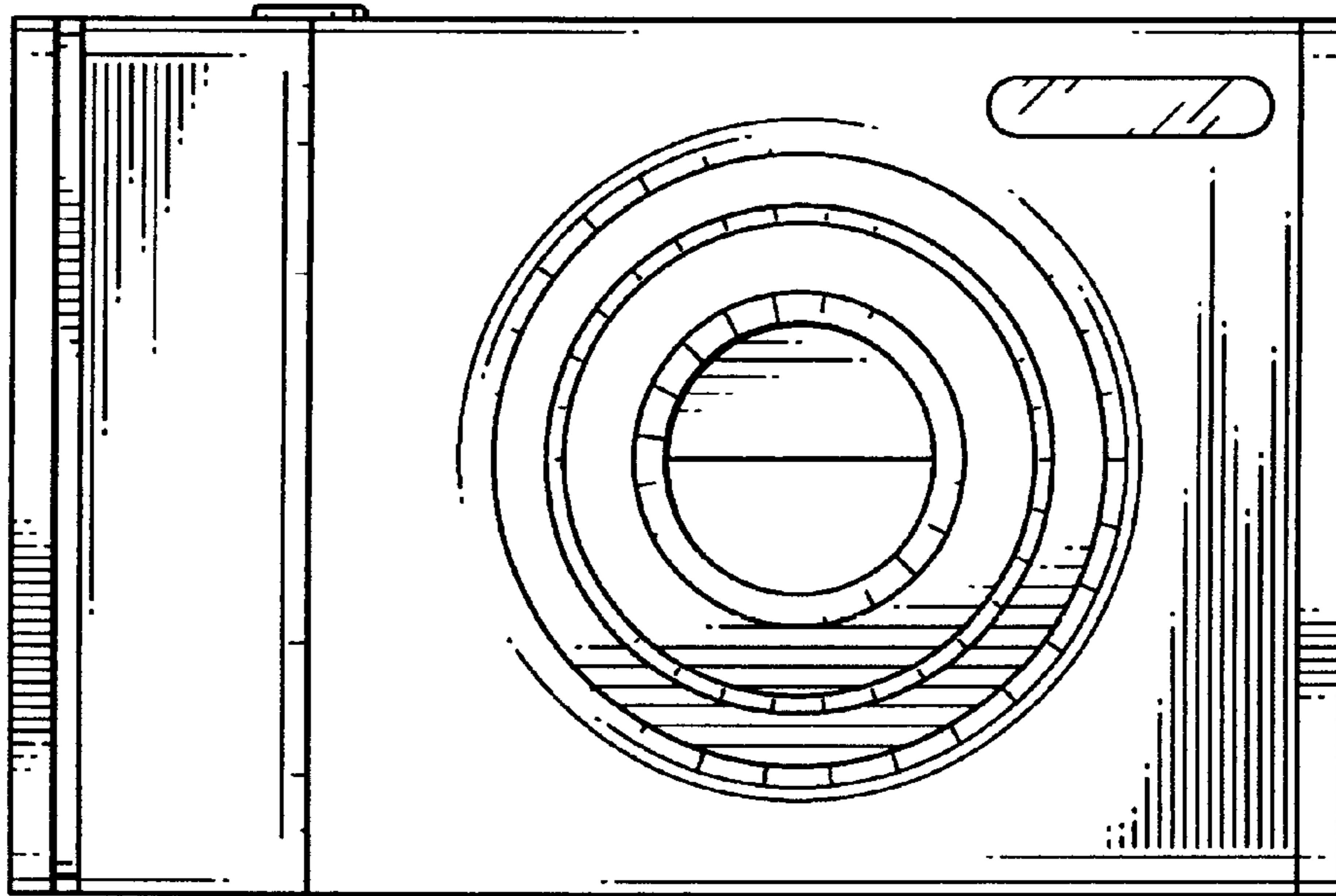


FIG. 1

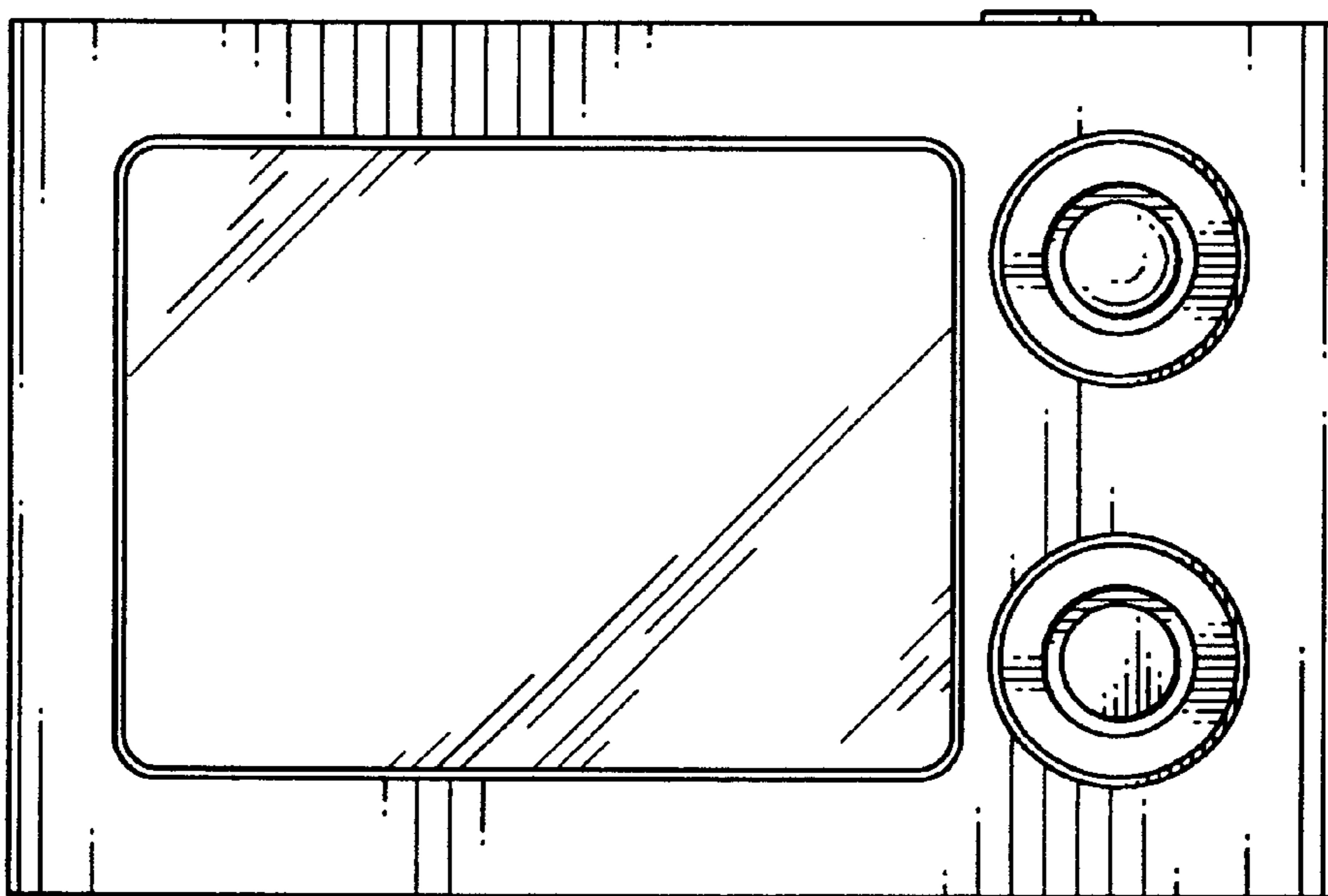


FIG. 2

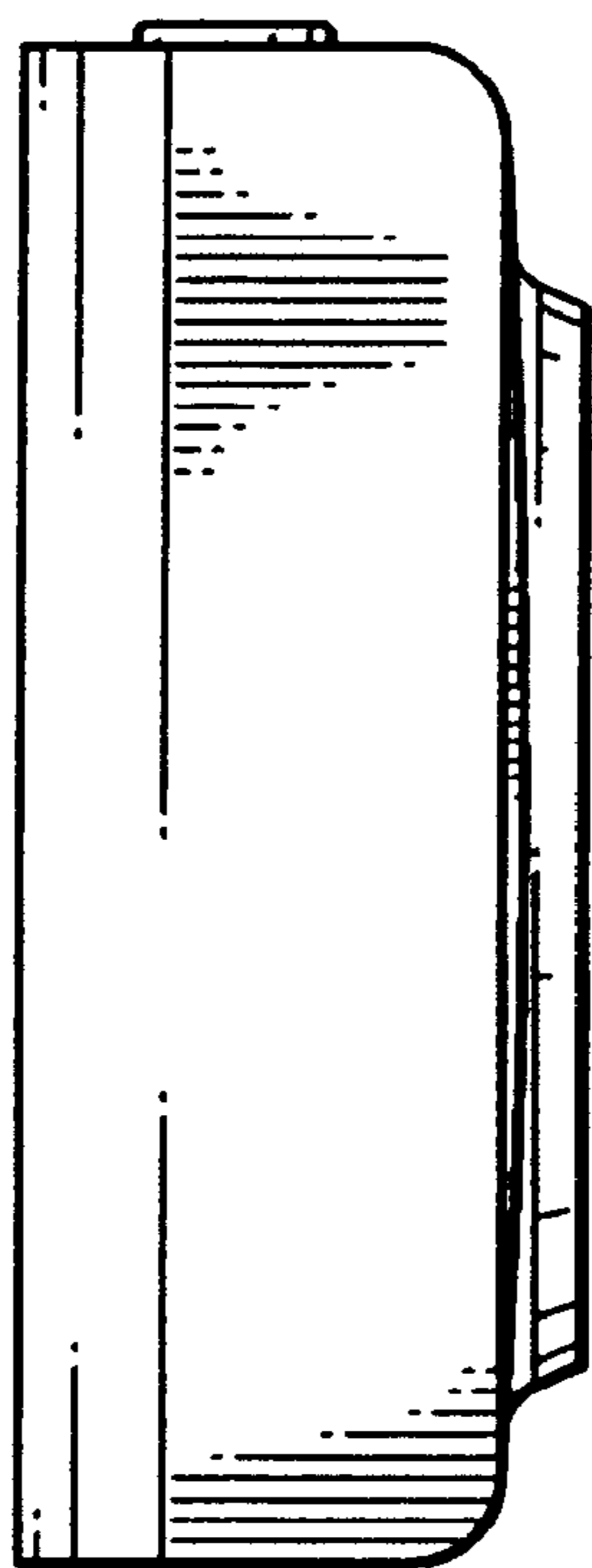


FIG. 3

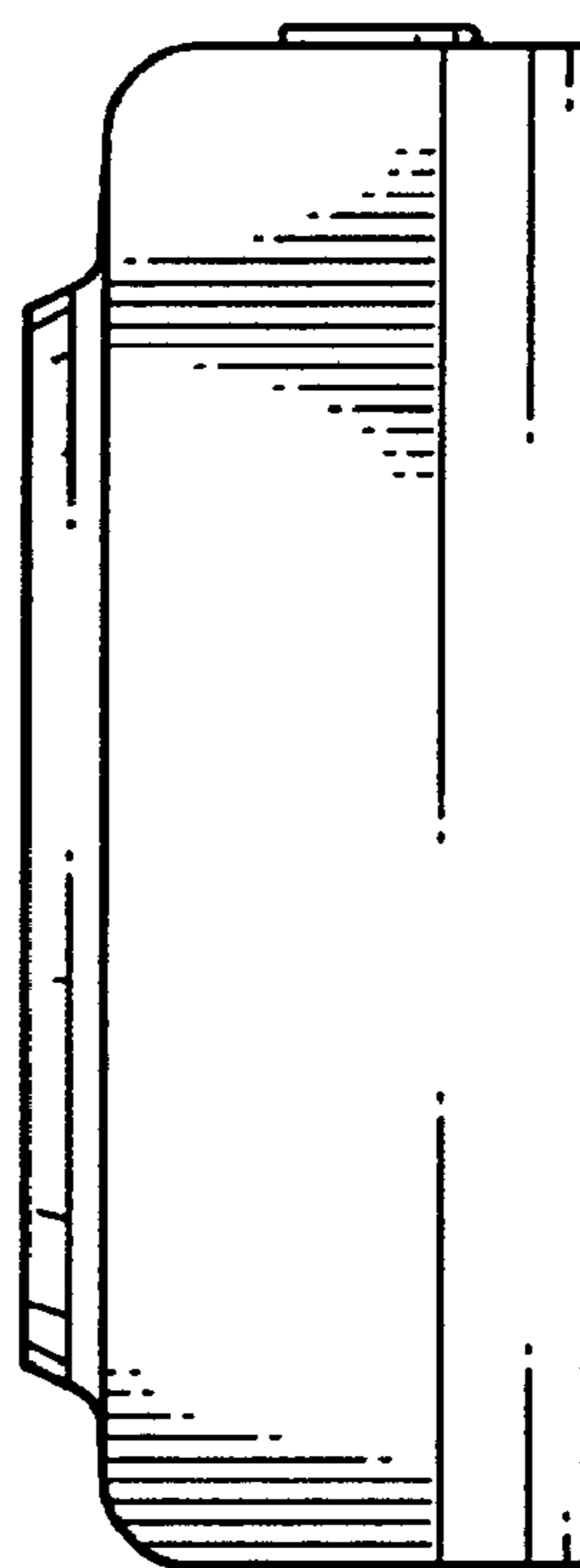


FIG. 4

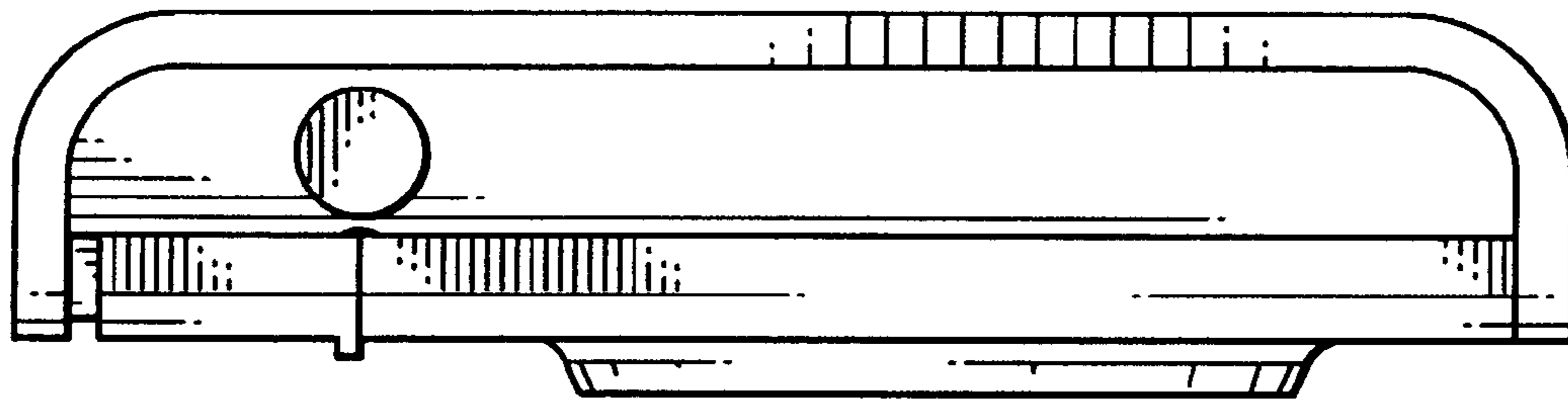


FIG. 5

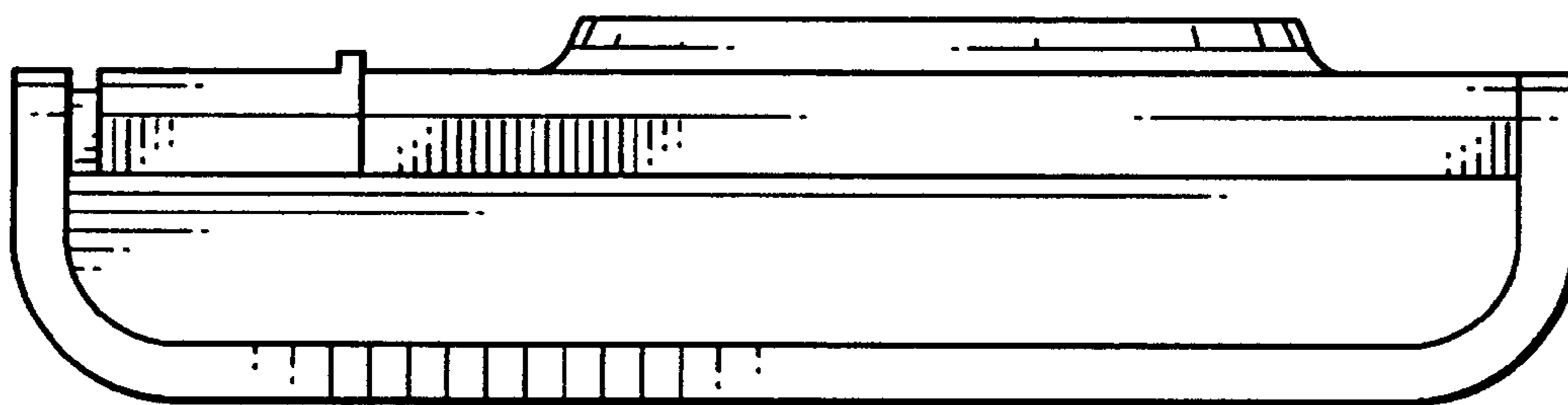


FIG. 6

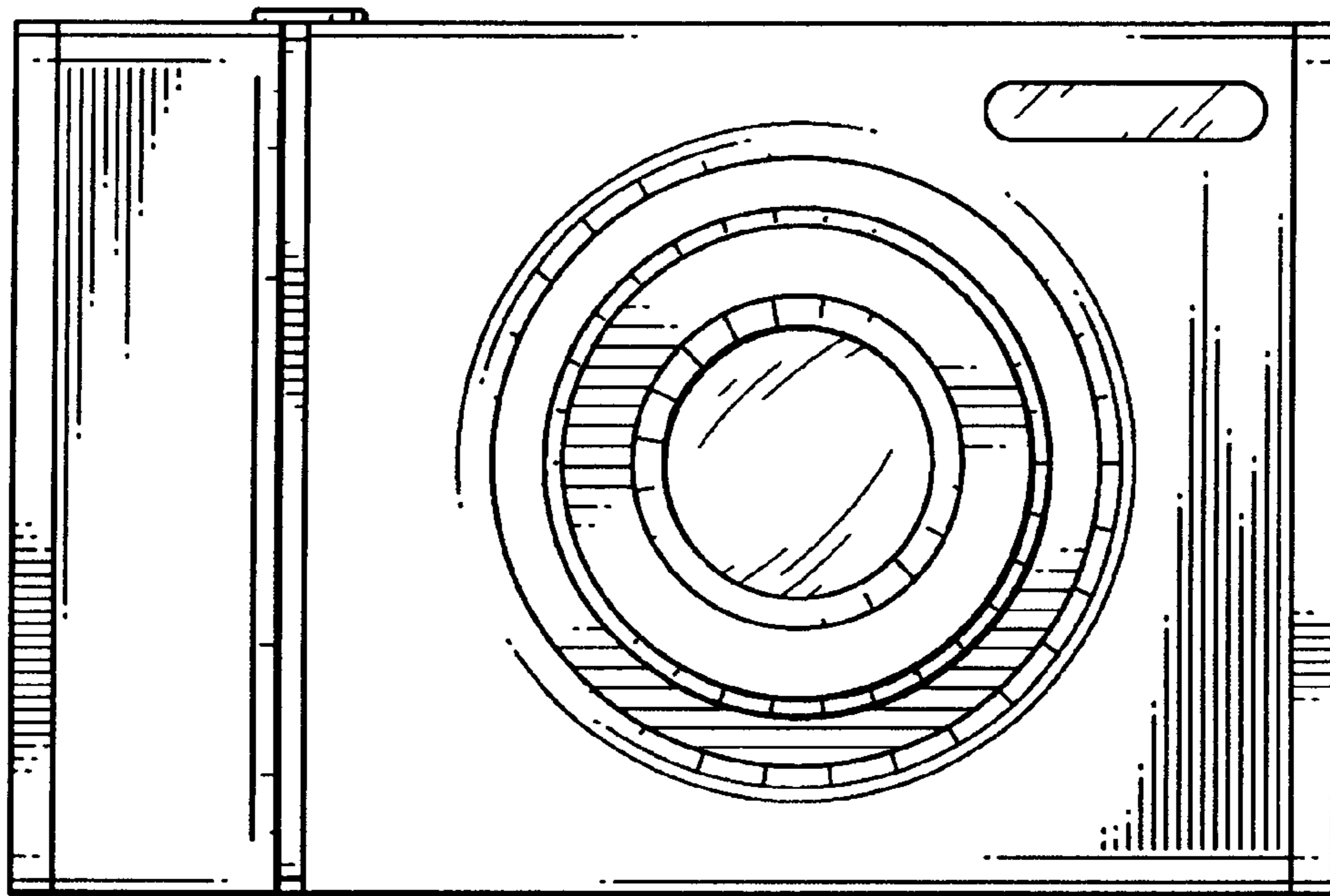
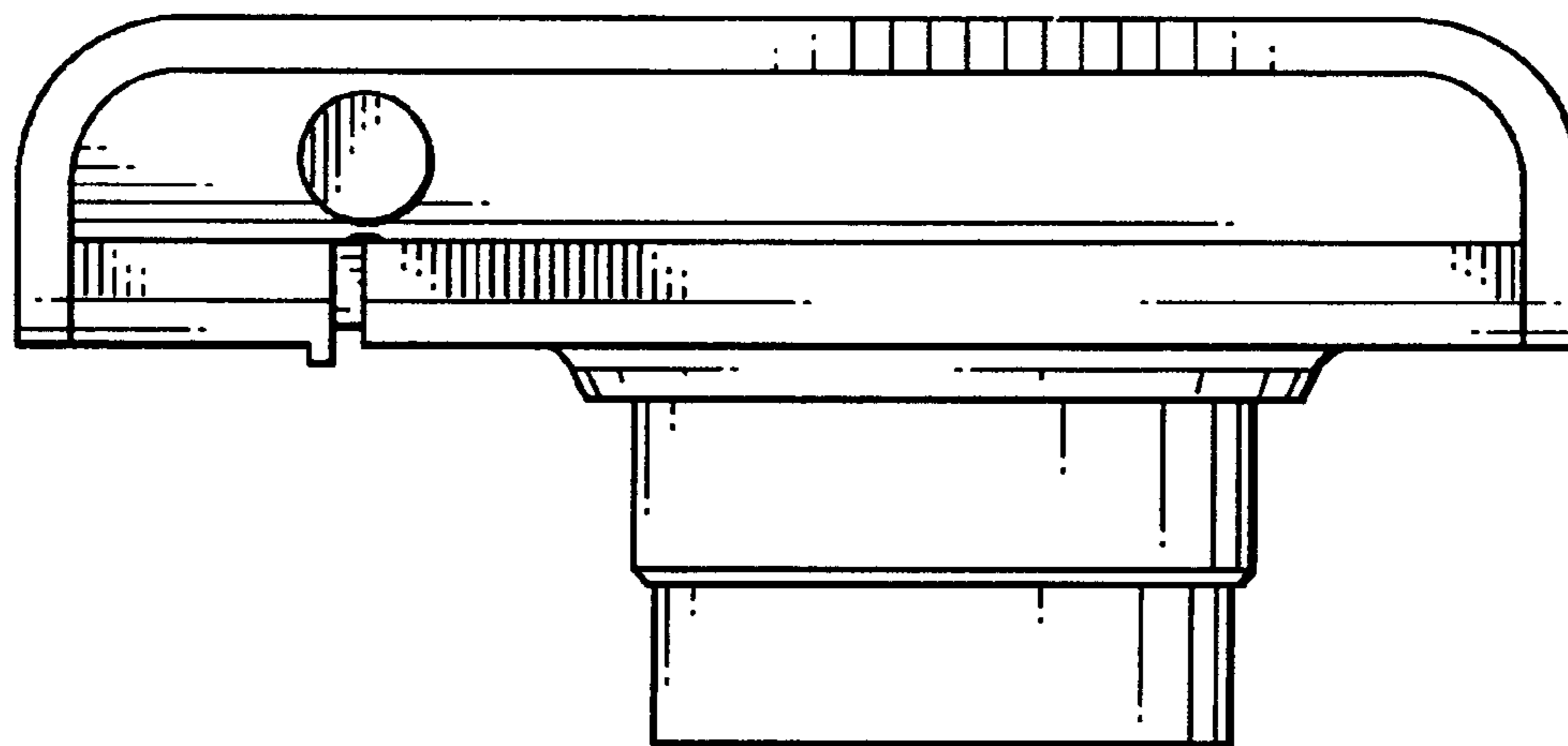


FIG. 7

FIG. 8



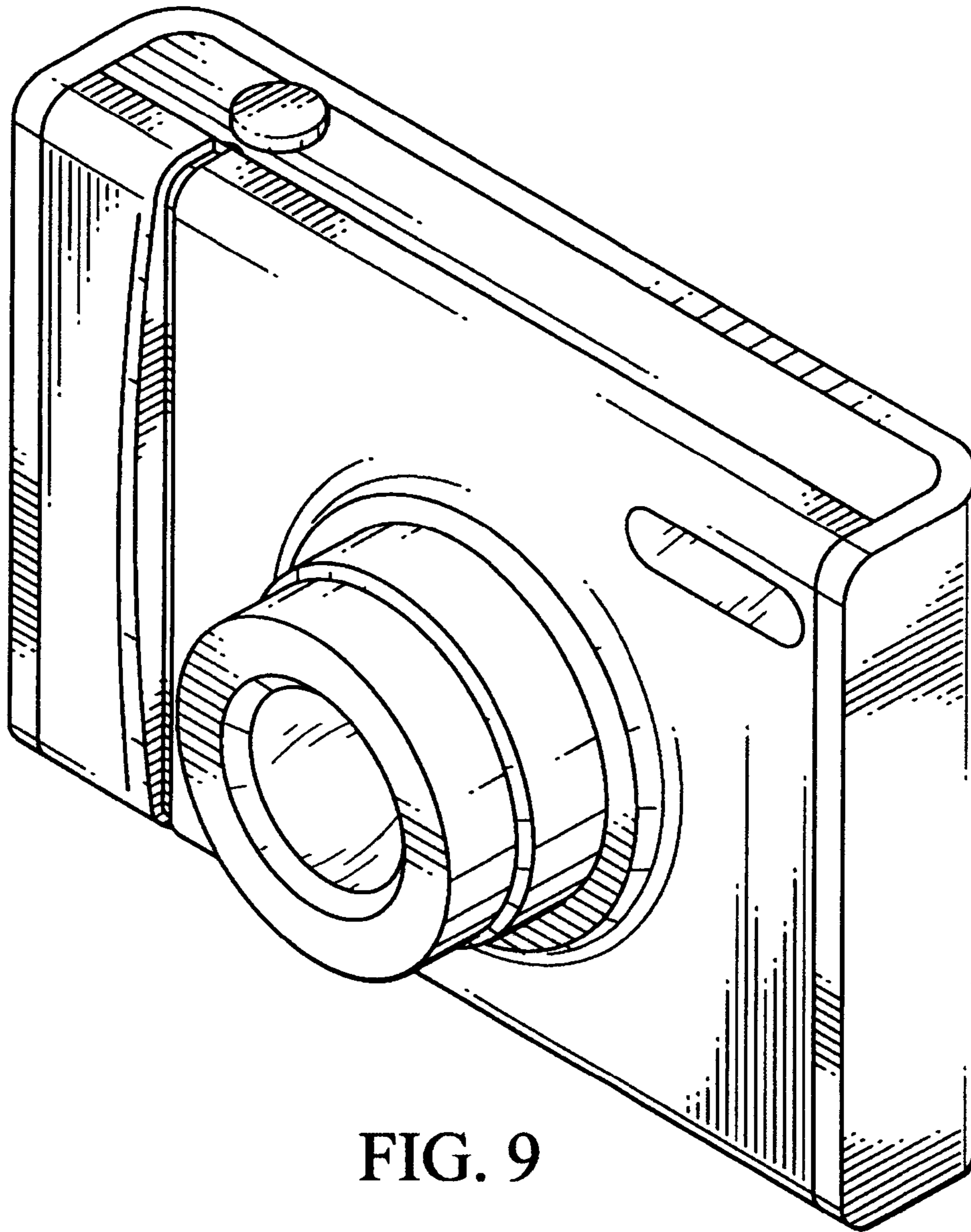


FIG. 9