



US00D538320S

(12) **United States Design Patent**  
**Sprague**

(10) **Patent No.:** **US D538,320 S**

(45) **Date of Patent:** **\*\* \*Mar. 13, 2007**

(54) **SIGHT GLASS**

(75) Inventor: **Curtis Sprague**, Johnson City, TN (US)

(73) Assignee: **Branham Corporation**, Johnson City, TN (US)

(\* ) Notice: This patent is subject to a terminal disclaimer.

(\*\* ) Term: **14 Years**

(21) Appl. No.: **29/235,092**

(22) Filed: **Jul. 27, 2005**

(51) **LOC (8) Cl.** ..... **16-06**

(52) **U.S. Cl.** ..... **D16/134; D16/130**

(58) **Field of Classification Search** ..... D16/130,  
D16/132, 134, 135; D6/311, 300; D8/382,  
D8/394; D21/330; 40/777, 780, 782, 785,  
40/790, 721; 235/70 B; 403/401; 27/1; 359/793,  
359/894; 49/463

See application file for complete search history.

(56) **References Cited**

**U.S. PATENT DOCUMENTS**

374,645 A \* 12/1887 Watkins ..... 40/790

2,312,542 A \* 3/1943 Goodman ..... 359/793  
2,450,330 A \* 9/1948 De Giers ..... 49/463  
2,538,502 A \* 1/1951 Boehm ..... 235/70 B  
D183,774 S \* 10/1958 Stefanakis ..... D6/311  
3,935,656 A \* 2/1976 Pritchard ..... 40/790  
4,282,668 A \* 8/1981 Jolkovski ..... 40/790

\* cited by examiner

*Primary Examiner*—Paula A. Greene

(74) *Attorney, Agent, or Firm*—Craig M. Stainbrook;  
Stainbrook & Stainbrook, LLP

(57) **CLAIM**

The ornamental design for a sight glass, as shown and described.

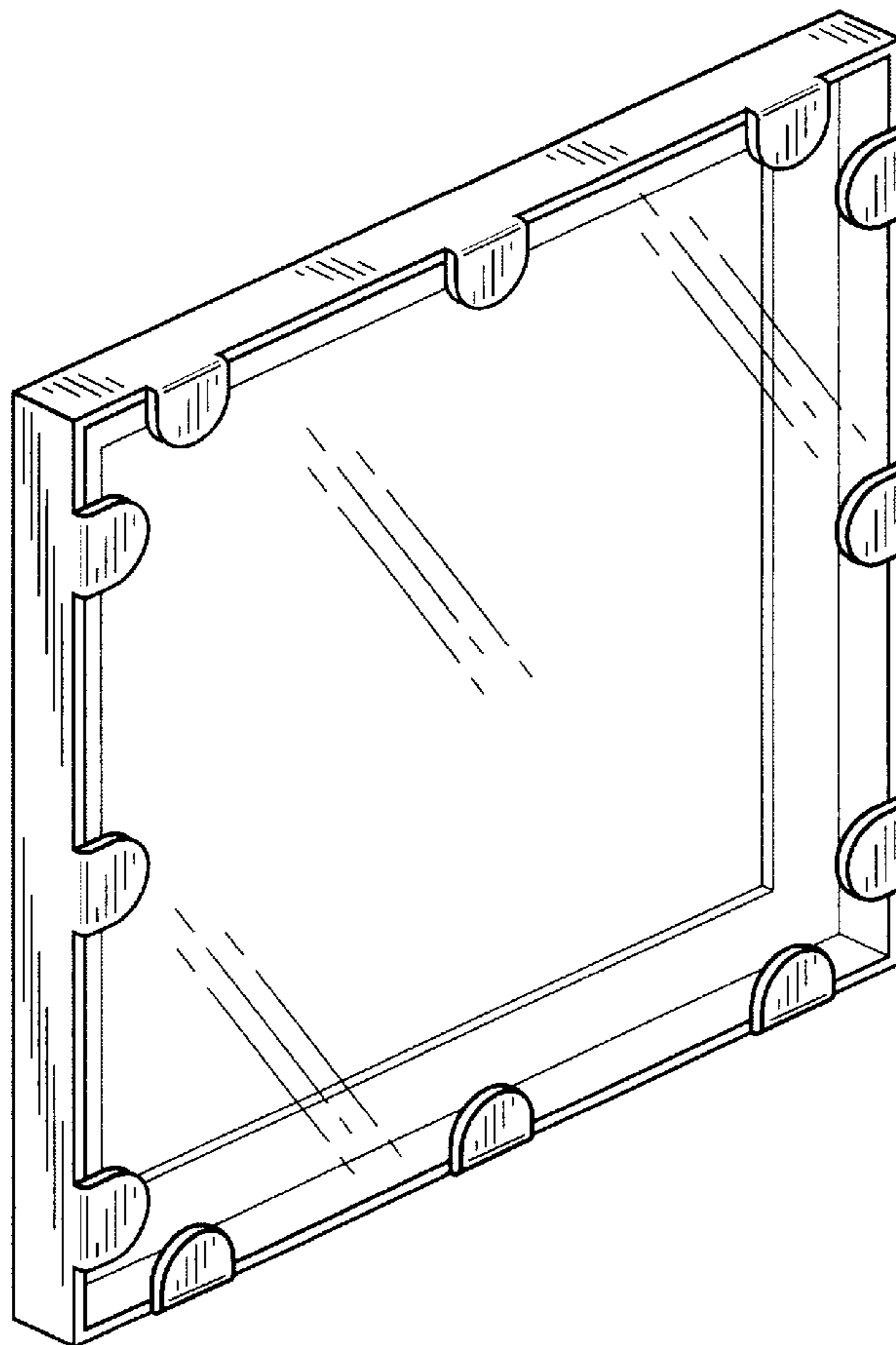
**DESCRIPTION**

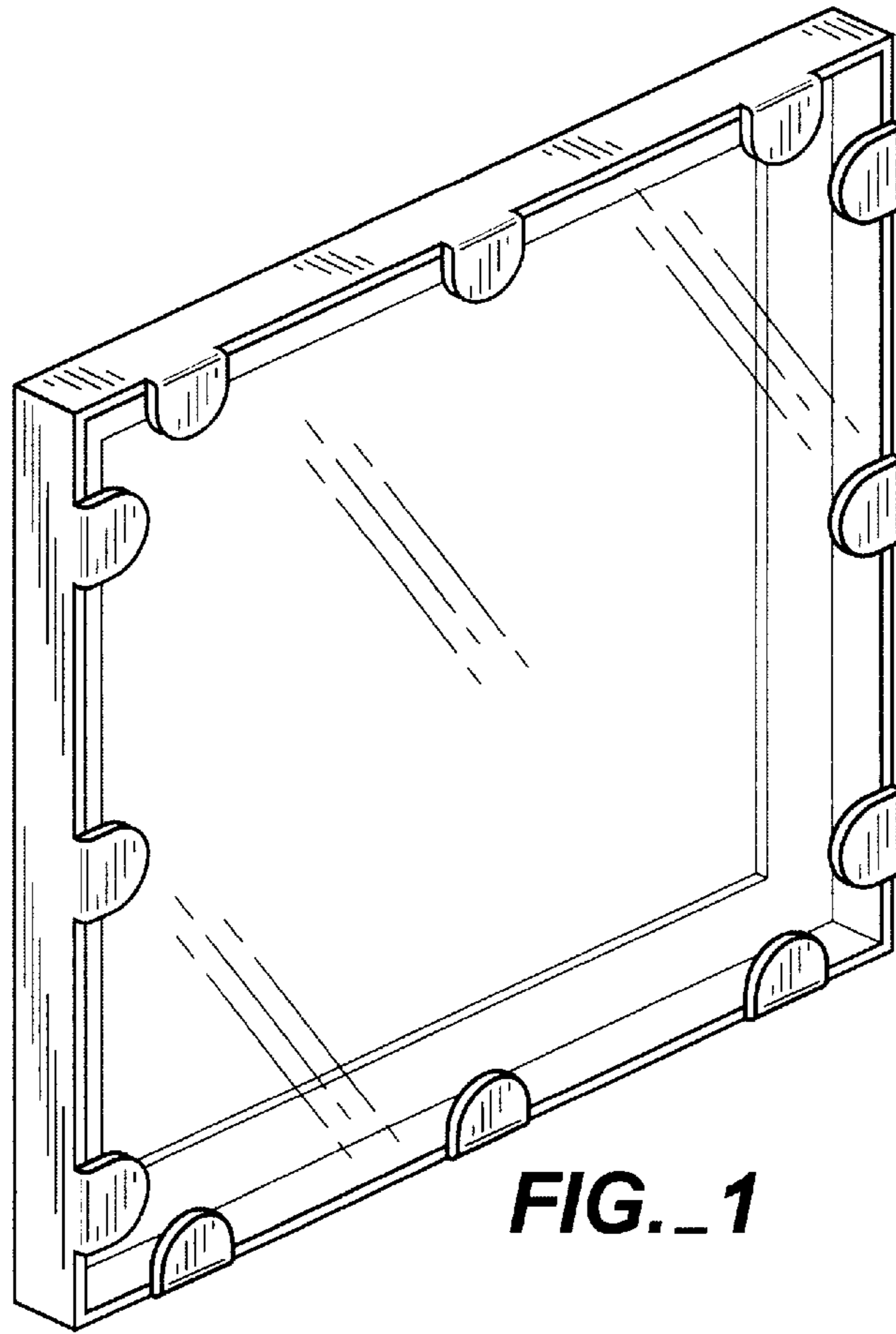
FIG. 1 is a front perspective view of sight glass showing my new design, the bottom is a mirror image of the top;

FIG. 2 is a front elevational view thereof, the undisclosed rear is unornamented and not part of the claimed design; and,

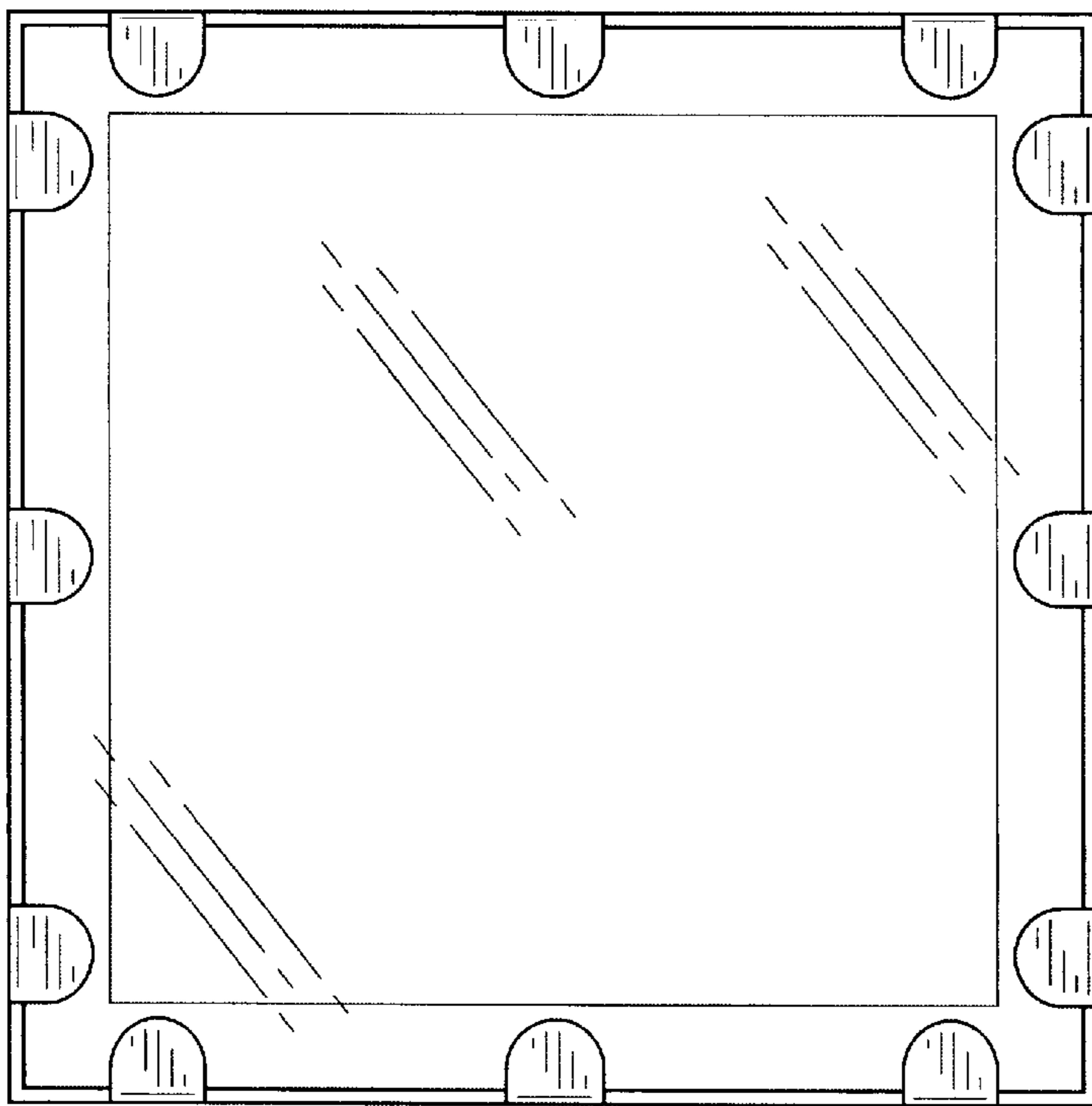
FIG. 3 is a right side elevational view thereof, the left side is a mirror image.

**1 Claim, 1 Drawing Sheet**

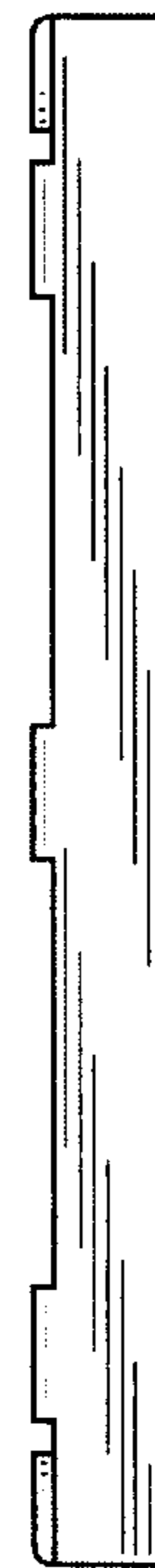




**FIG.\_1**



**FIG.\_2**



**FIG.\_3**