



US00D538317S

(12) **United States Design Patent**
Mullett et al.

(10) **Patent No.:** **US D538,317 S**
(45) **Date of Patent:** **** Mar. 13, 2007**

(54) **BINOCULAR HOUSING AND USER INTERFACE**

(75) Inventors: **John Mullett**, Leawood, KS (US);
James Wilson, Overland Park, KS (US)

(73) Assignee: **Bushnell, Inc.**, Overland Park, KS (US)

(**) Term: **14 Years**

(21) Appl. No.: **29/251,434**

(22) Filed: **Jan. 6, 2006**

(51) **LOC (8) Cl.** **16-01**

(52) **U.S. Cl.** **D16/133**

(58) **Field of Classification Search** D16/202,
D16/208, 216, 217, 168, 169, 218, 130, 170,
D16/132, 133; 359/407-418, 363, 480; 396/432,
396/377; 348/220.1; 386/118; D21/579
See application file for complete search history.

(56) **References Cited**

U.S. PATENT DOCUMENTS

D250,120 S	*	10/1978	Munakata et al.	D16/218
D288,830 S	*	3/1987	Obara	D21/579
4,676,619 A	*	6/1987	Woolley	396/432
D338,027 S	*	8/1993	Ushiyama	D16/133
5,303,062 A	*	4/1994	Kawarai et al.	386/118
D355,664 S	*	2/1995	Kataoka	D16/202
D365,832 S	*	1/1996	Miyahara et al.	D16/133
5,499,052 A	*	3/1996	Nakanishi et al.	348/220.1
D435,262 S	*	12/2000	Maeyama	D16/202
D438,553 S	*	3/2001	Sekine et al.	D16/202
D476,022 S	*	6/2003	Sumita	D16/202

D516,601 S * 3/2006 Ishii D16/218

* cited by examiner

Primary Examiner—Paula A. Greene

(74) *Attorney, Agent, or Firm*—Hovey Williams LLP

(57) **CLAIM**

The ornamental design for a binocular housing and user interface, as shown and described.

DESCRIPTION

FIG. 1 is an isometric view of a binocular housing and user interface illustrating a left barrel, right barrel, and bridge in broken line and the claimed design of a housing and user interface in solid line;

FIG. 2 is a plan view of the binocular housing and user interface illustrating the left barrel, right barrel, and bridge in broken line and the claimed design of a housing and user interface in solid line;

FIG. 3 is a side elevation view of the binocular housing and user interface illustrating the left barrel, right barrel, and bridge in broken line and the claimed design of a housing and user interface in solid line;

FIG. 4 is a rear view of the binocular housing and user interface illustrating the left barrel, right barrel, and bridge in broken line and the claimed design of a housing and user interface in solid line; and,

FIG. 5 is a front view of the binocular housing and user interface illustrating the left barrel, right barrel, and bridge in broken line and the claimed design of a housing and user interface in solid line.

The broken lines are included for the purpose of illustration and form no part of the claimed design.

1 Claim, 2 Drawing Sheets

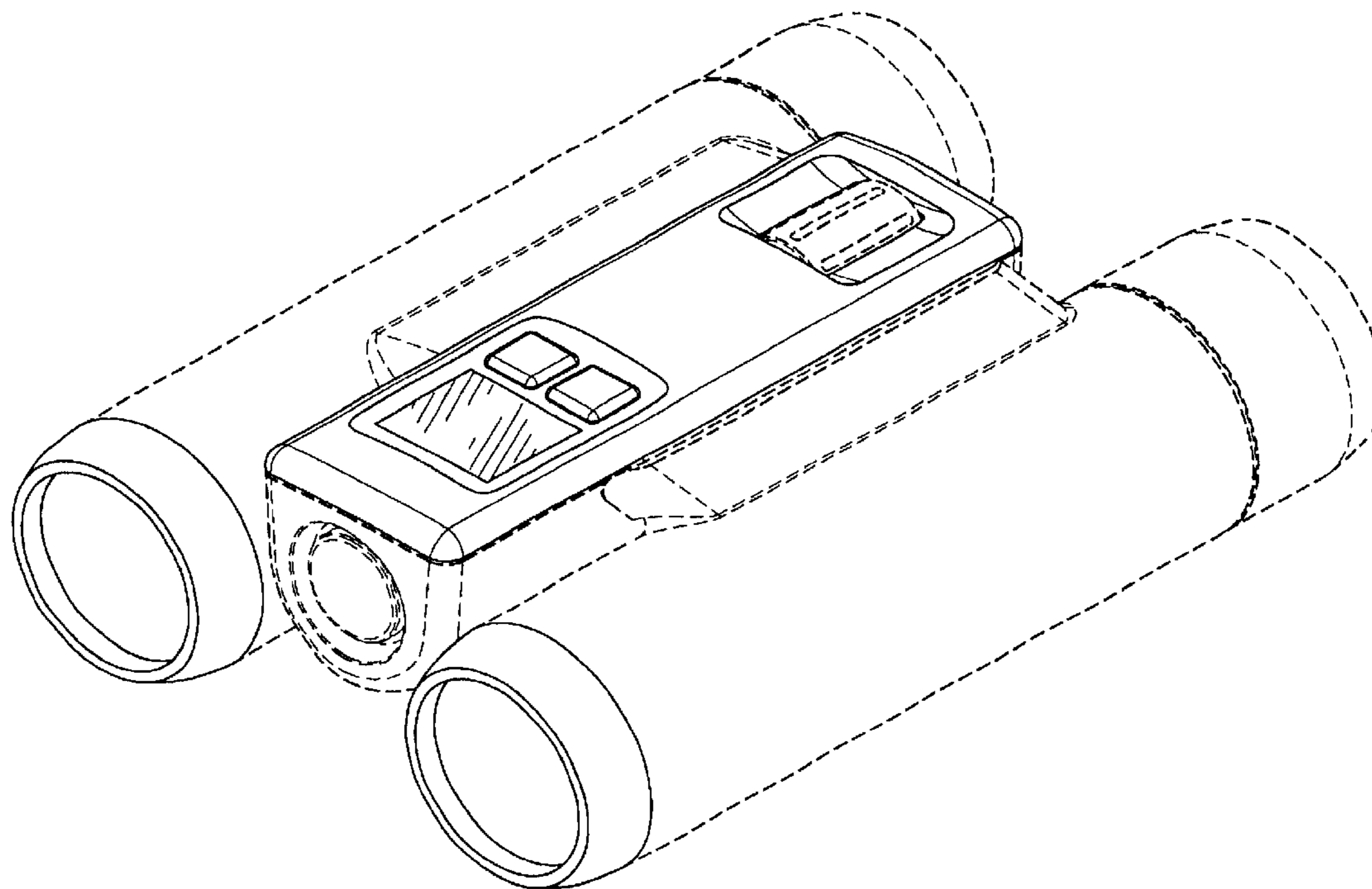


FIG. 1.

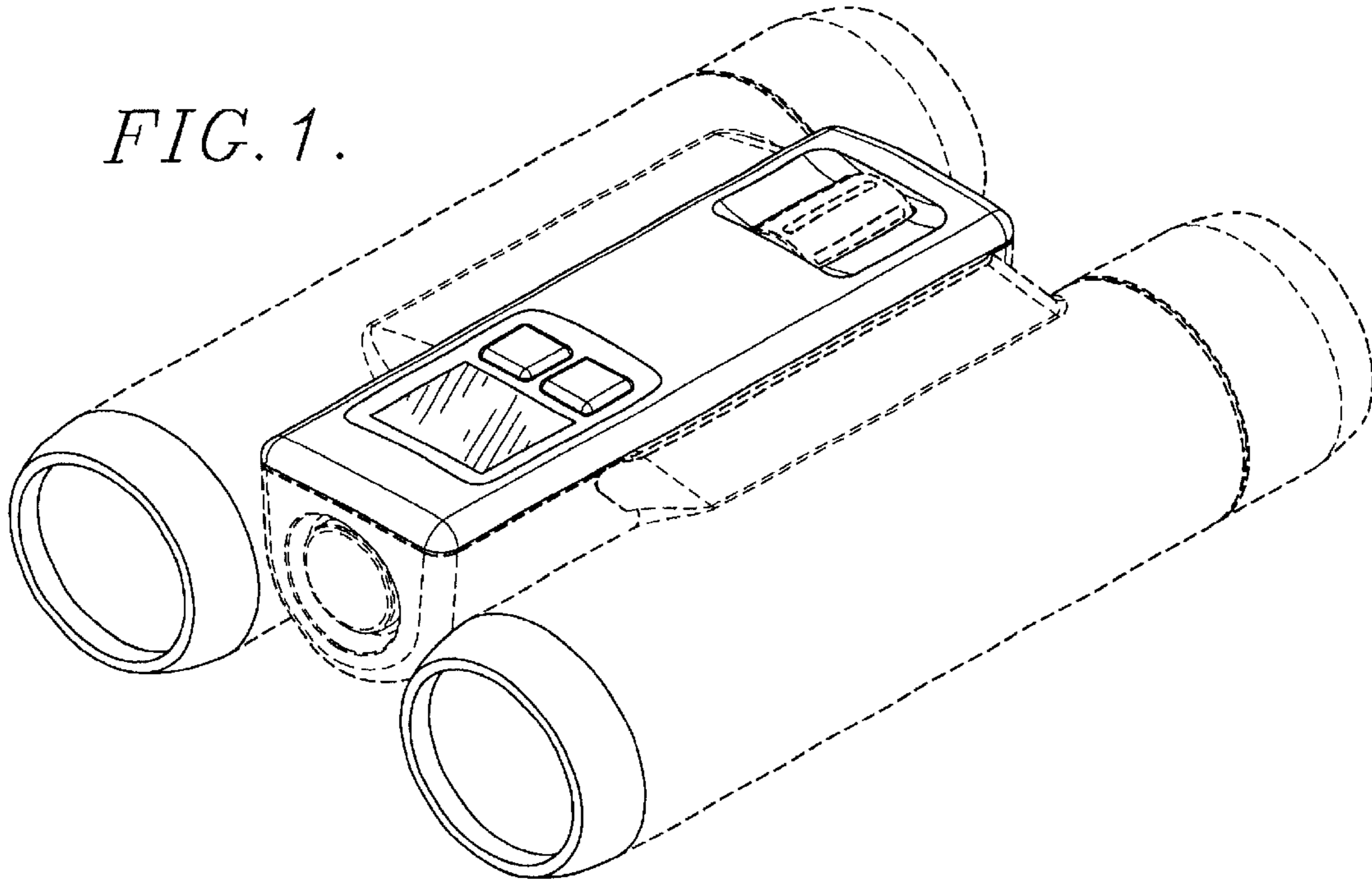
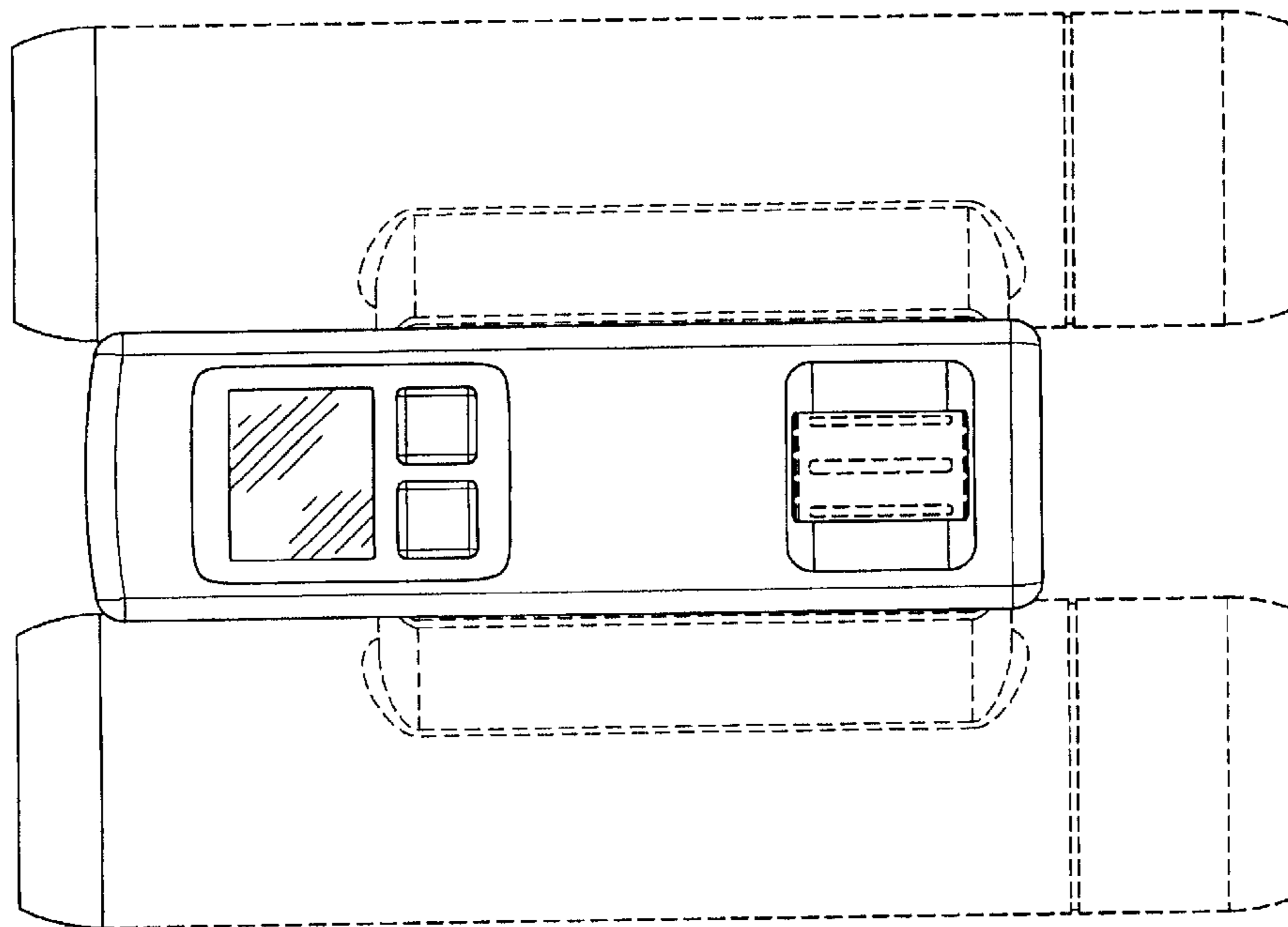


FIG. 2.



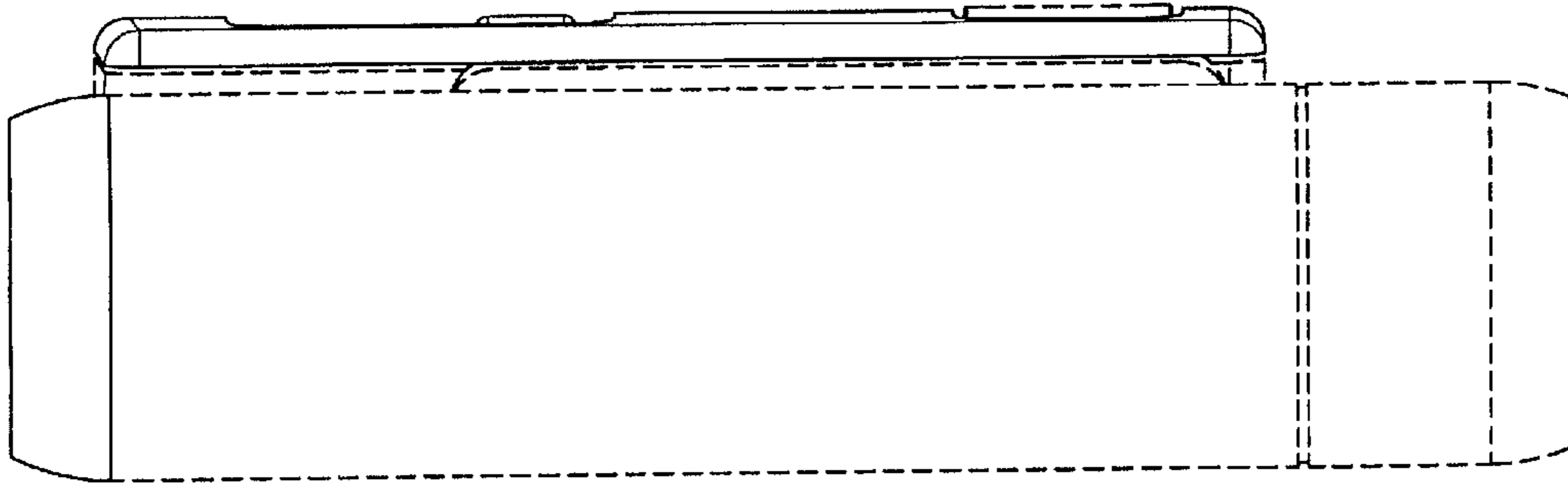


FIG. 3.

FIG. 4.

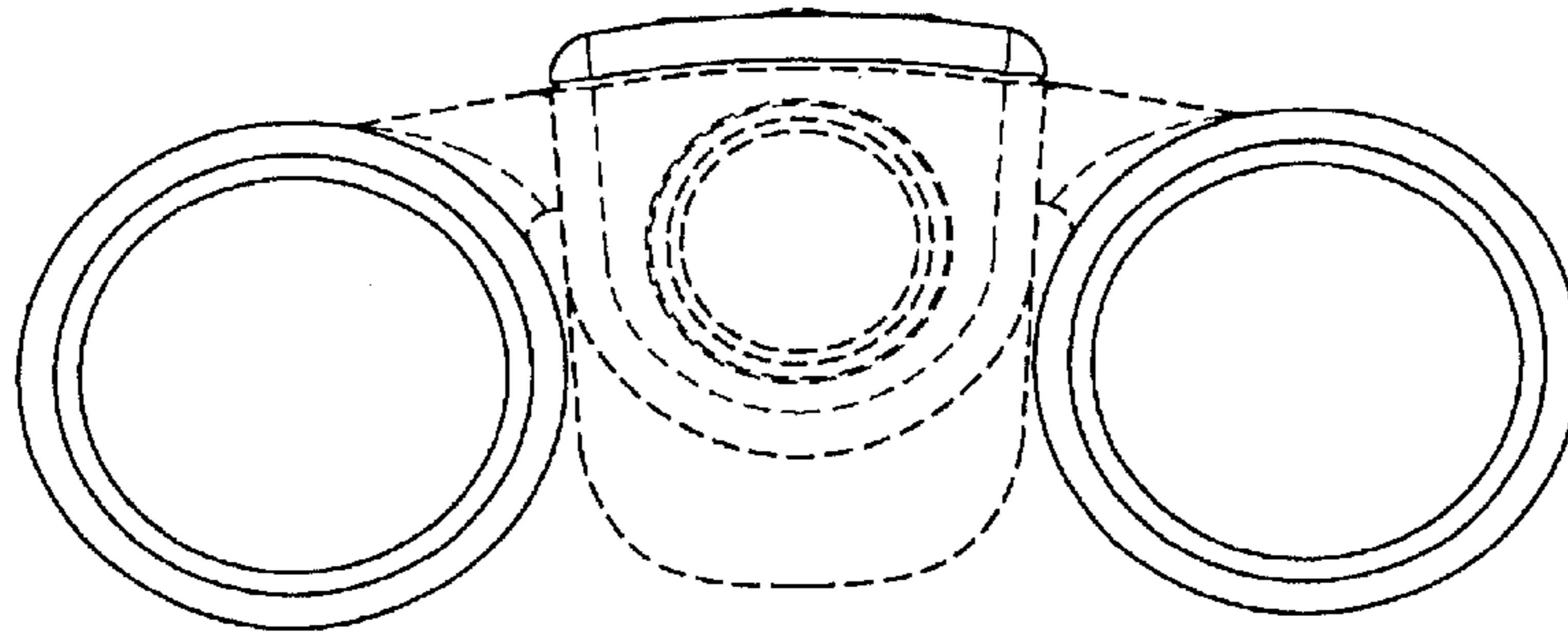


FIG. 5.

