



US00D538316S

(12) **United States Design Patent**  
**Sadanowicz et al.**

(10) **Patent No.:** **US D538,316 S**  
(45) **Date of Patent:** **\*\* Mar. 13, 2007**

(54) **KNUCKLE**

(75) Inventors: **David Thomas Sadanowicz**, Canton, MI (US); **Larry William Brackmann**, Brighton, MI (US)

(73) Assignee: **Robert Bosch GmbH**, Stuttgart (DE)

(\*\*) Term: **14 Years**

(21) Appl. No.: **29/221,197**

(22) Filed: **Jan. 12, 2005**

(51) **LOC (8) Cl.** ..... **15-09**

(52) **U.S. Cl.** ..... **D15/143**

(58) **Field of Classification Search** ..... D15/199,  
D15/143; D12/159, 160; 280/86.75, 86.751,  
280/93.512, 660, 662, 665, 675, 695  
See application file for complete search history.

(56) **References Cited**

**U.S. PATENT DOCUMENTS**

D223,024	S	*	2/1972	Thomas	.....	D12/159
5,496,055	A		3/1996	Shibahata et al.		
6,099,003	A	*	8/2000	Olszewski et al.	.....	280/93.512
6,394,472	B1	*	5/2002	Graf et al.	.....	280/93.512
6,557,872	B1	*	5/2003	Garrard	.....	280/93.512

6,729,633	B1		5/2004	Irwin		
6,997,467	B2	*	2/2006	Dean	.....	280/93.512
2005/0051985	A1	*	3/2005	Kim	.....	280/93.512
2005/0146105	A1	*	7/2005	Soles et al.	.....	280/86.75
2005/0200092	A1	*	9/2005	Orimoto et al.	.....	280/93.512

\* cited by examiner

*Primary Examiner*—Antoine D. Davis

*Assistant Examiner*—Patricia Palasik

(74) *Attorney, Agent, or Firm*—Leo H McCormick, Jr.; Sarah Taylor

(57) **CLAIM**

The ornamental design for a knuckle, as shown and described.

**DESCRIPTION**

FIG. 1 is a front perspective view of a knuckle showing our new design;

FIG. 2 is a front elevation view of FIG. 1;

FIG. 3 is a top view of FIG. 2;

FIG. 4 is a rear perspective view of FIG. 1;

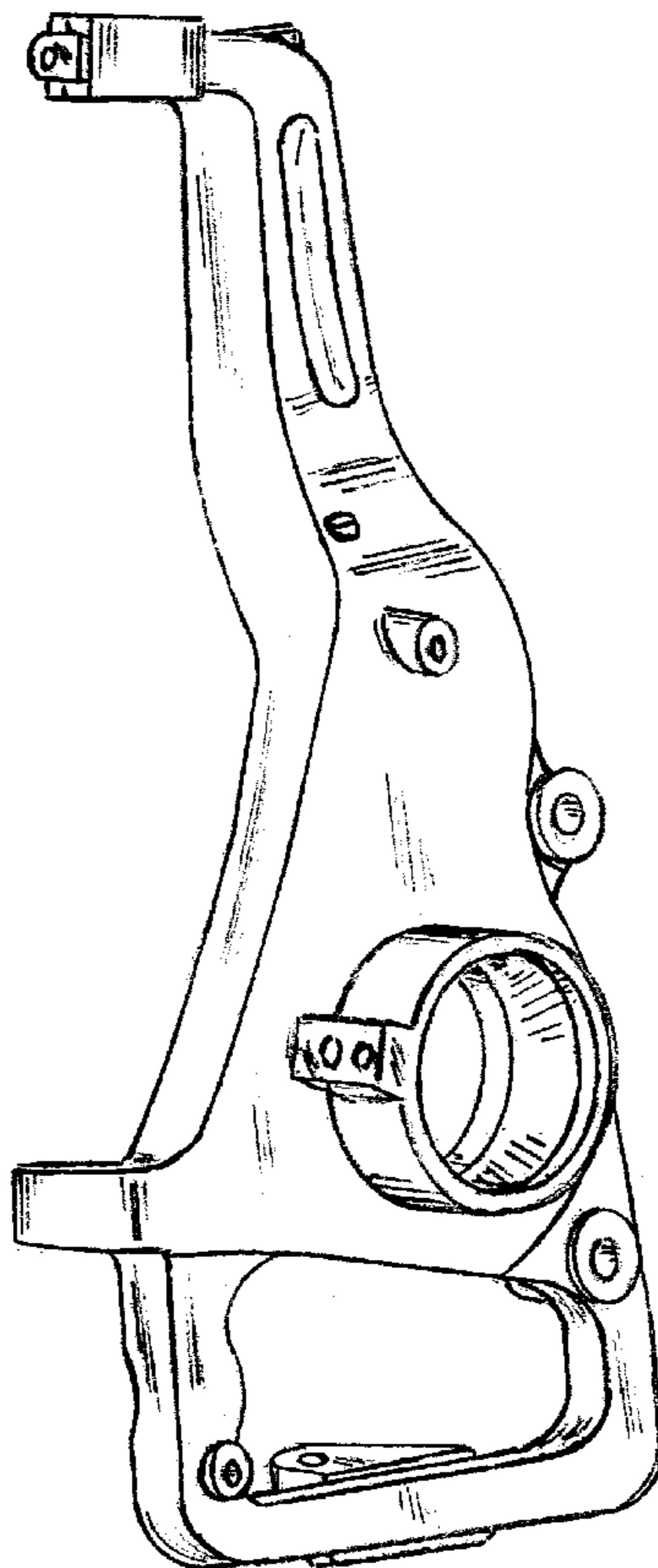
FIG. 5 is a rear elevation view of FIG. 4;

FIG. 6 is a bottom view of FIG. 5;

FIG. 7 is a right side elevation view of FIG. 2; and,

FIG. 8 is a left side elevation view of FIG. 2.

**1 Claim, 3 Drawing Sheets**



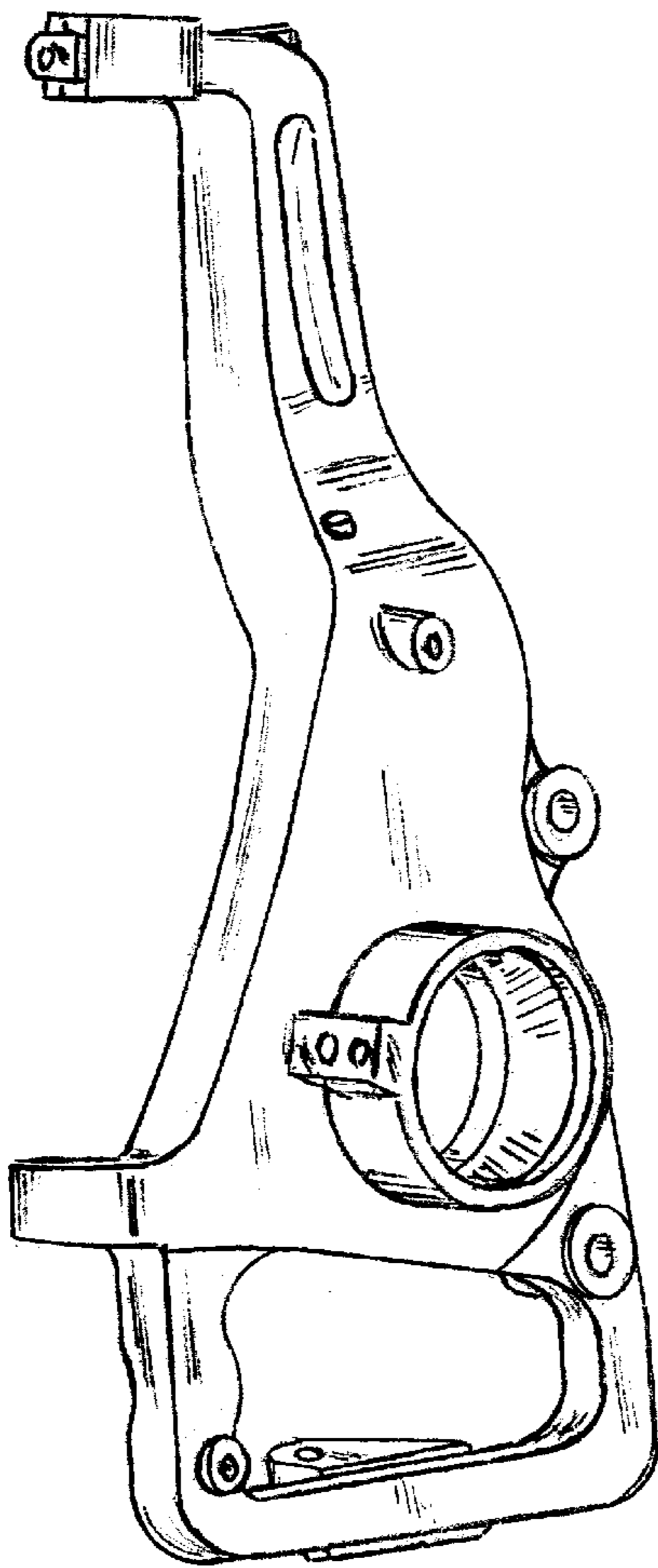


Fig. 1

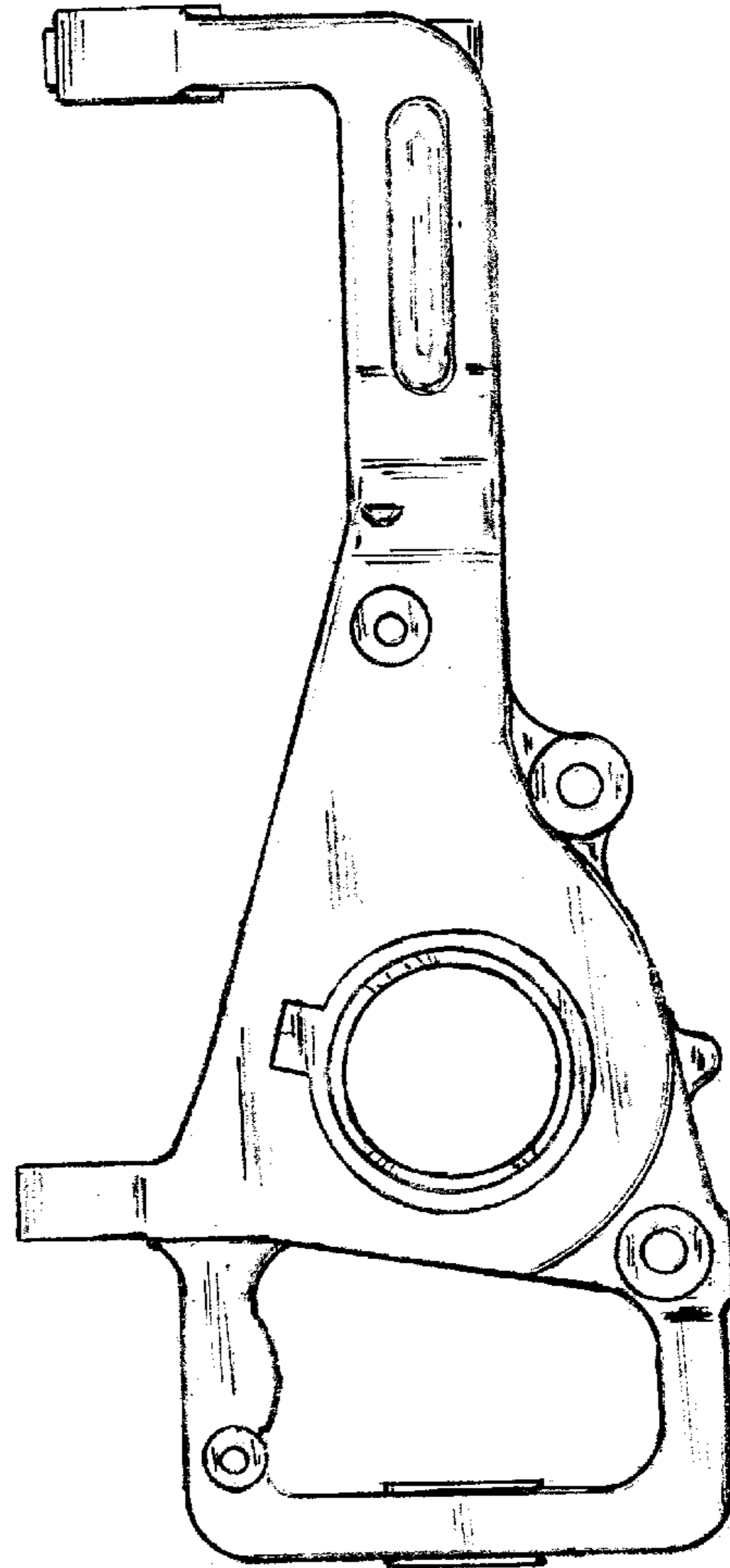


Fig. 2

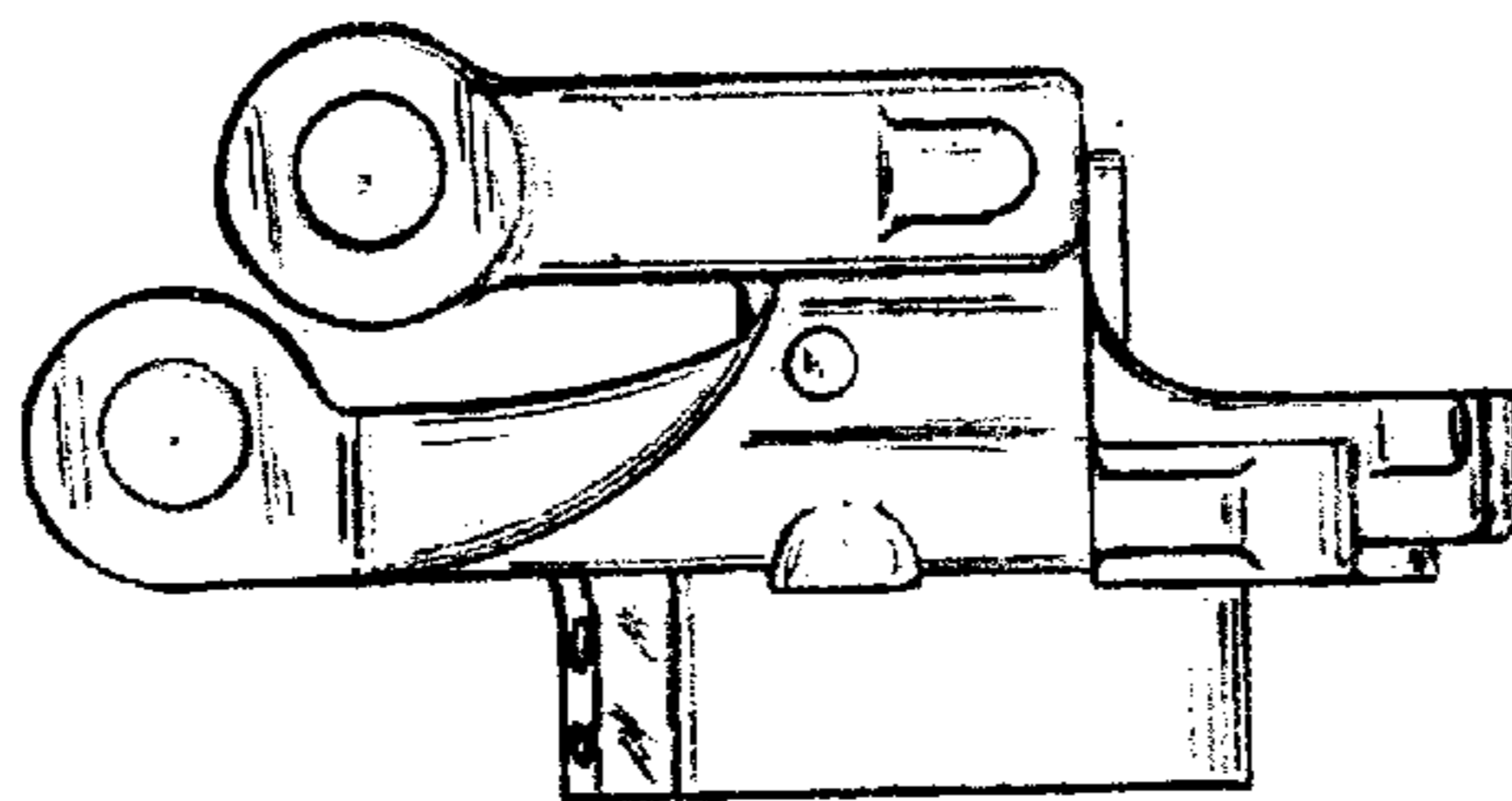


Fig. 3

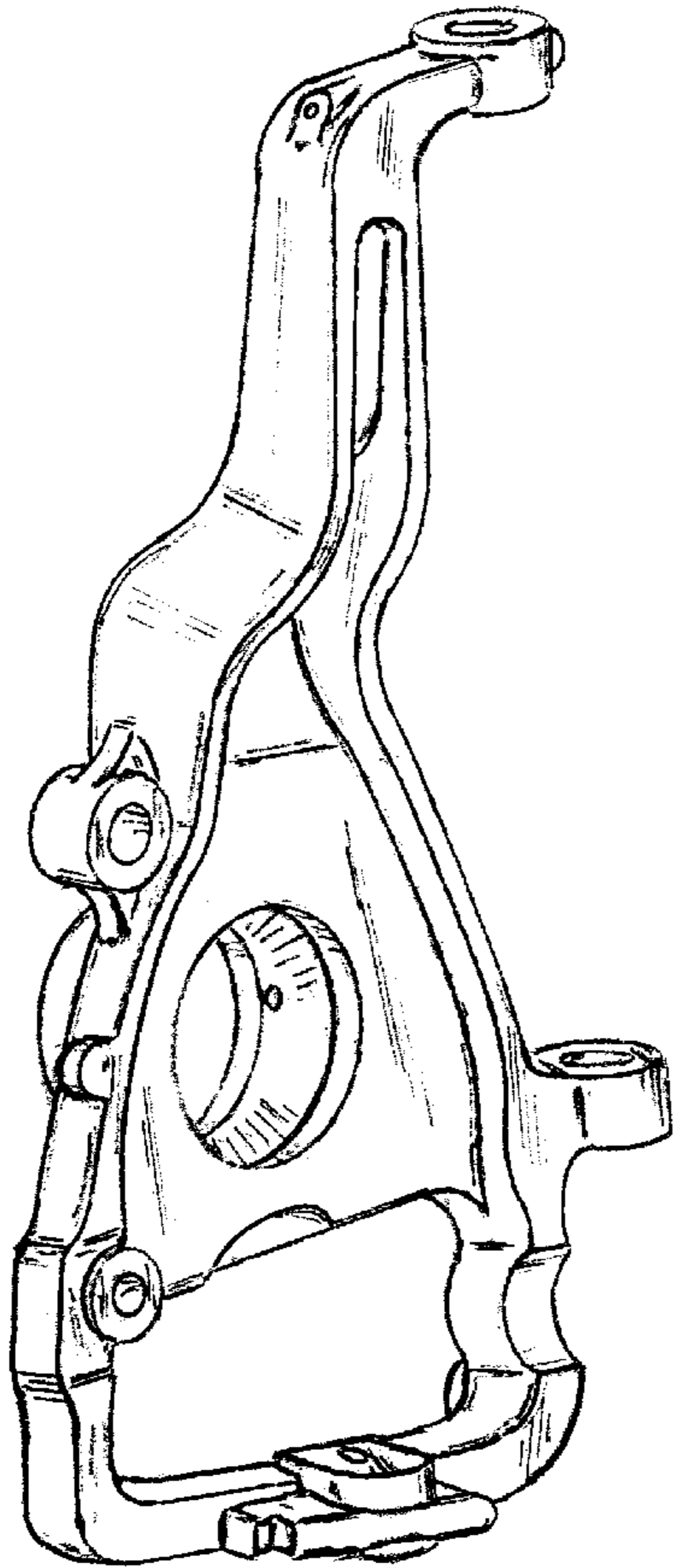


Fig. 4

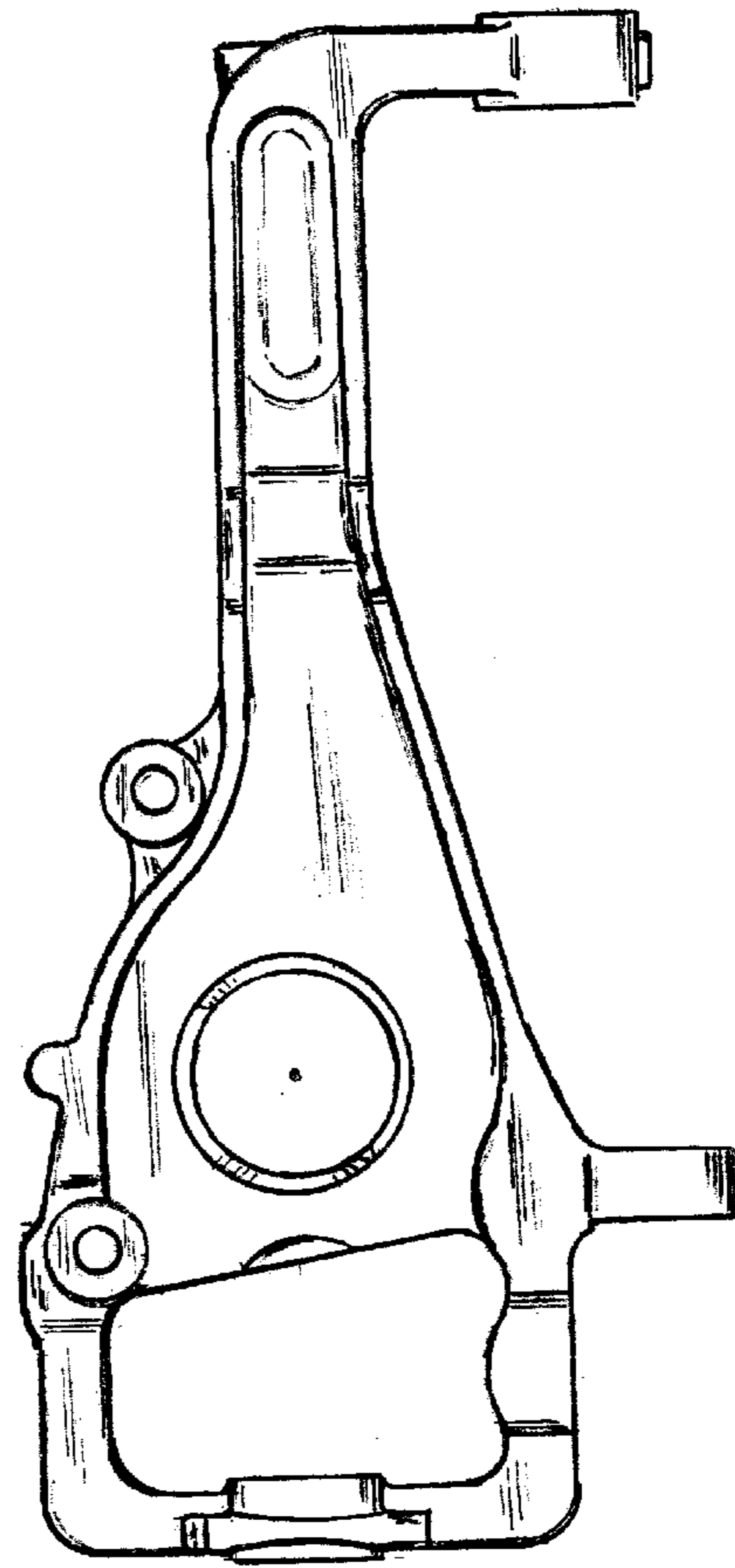


Fig. 5

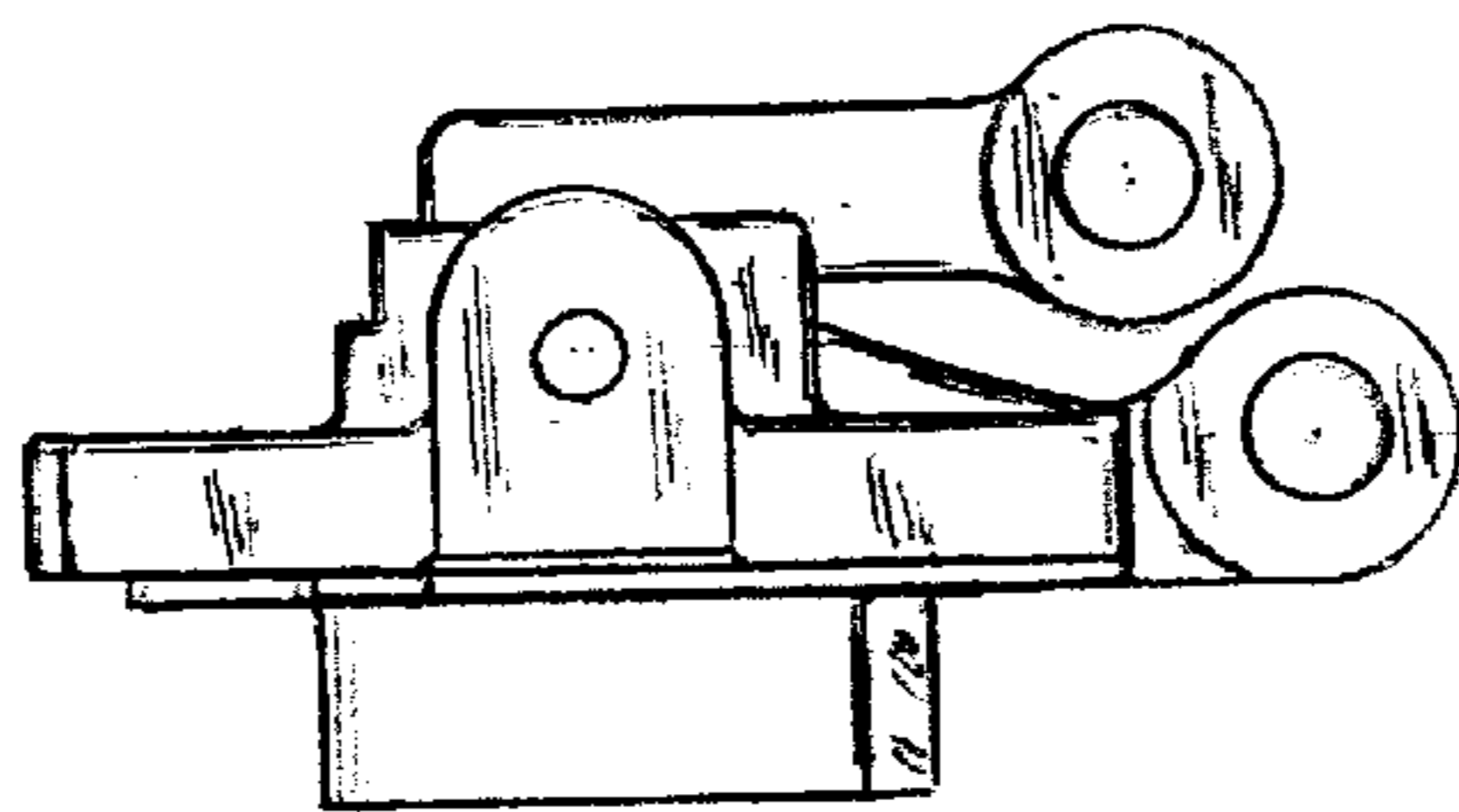


Fig. 6

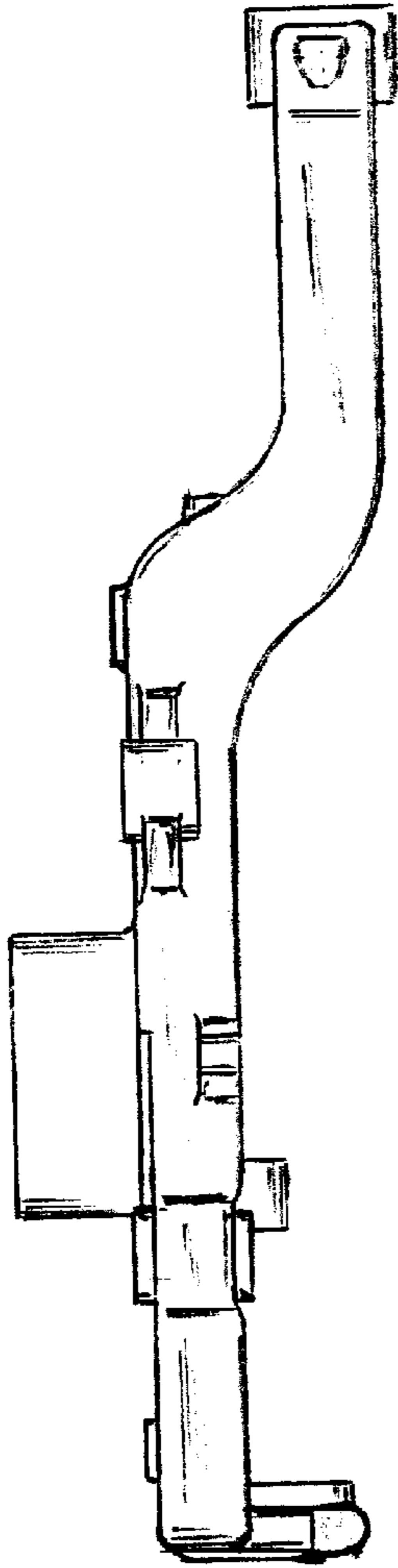


Fig. 7

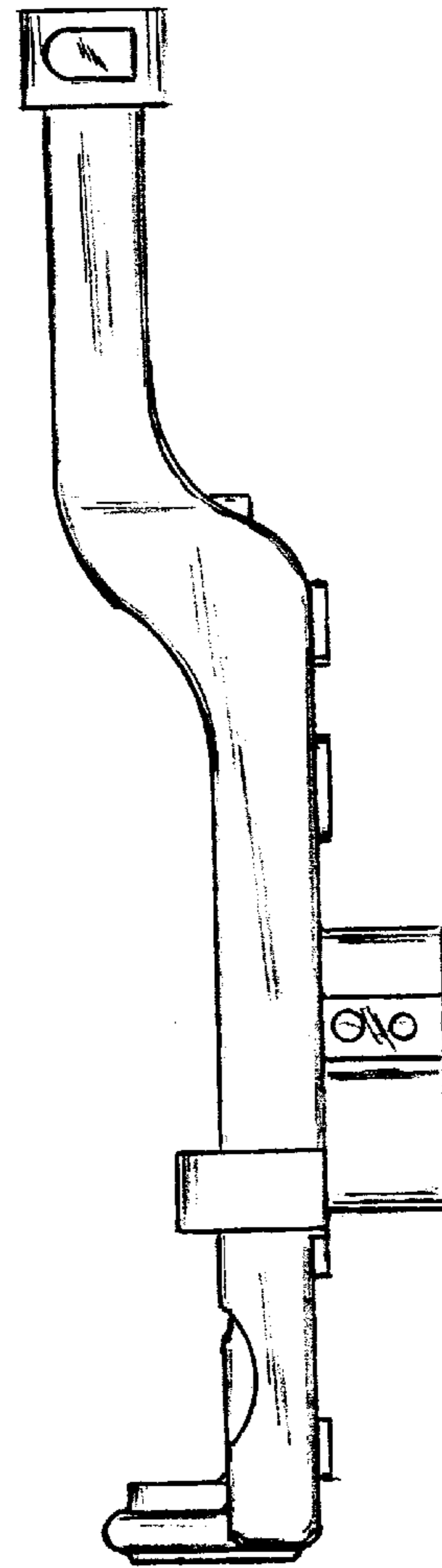


Fig. 8