

US00D538315S

(12) **United States Design Patent**
Bernhardt

(10) **Patent No.:** **US D538,315 S**
(45) **Date of Patent:** **** Mar. 13, 2007**

(54) **COLLET HOLDER AND TOOL BODY**

(75) Inventor: **Randy J. Bernhardt**, Dousman, WI
(US)

(73) Assignee: **Urban Manufacturing, Inc.**,
Pewaukee, WI (US)

(**) Term: **14 Years**

(21) Appl. No.: **29/215,915**

(22) Filed: **Oct. 26, 2004**

(51) **LOC (8) Cl.** **15-09**

(52) **U.S. Cl.** **D15/140**

(58) **Field of Classification Search** D15/140;
83/438, 467.1, 468, 468.6, 468.7, 522.19,
83/522.24, 522.25; 144/286 A; 228/44.7,
228/51, 55; 269/21, 303, 304, 315; 279/3,
279/4, 46; 409/218

See application file for complete search history.

(56) **References Cited**

U.S. PATENT DOCUMENTS

1,071,289 A	8/1913	Bader	
2,450,931 A	10/1948	Bault	
2,788,686 A	4/1957	Holt	
2,849,240 A	8/1958	Sorensen	
2,913,019 A	11/1959	Sprague	
3,115,799 A	* 12/1963	Nitz	D15/140
3,157,078 A	* 11/1964	Powers	D15/140
D206,553 S	* 12/1966	Papp	D15/140
D231,663 S	5/1974	Pingel	
3,827,686 A	8/1974	Storkh	
D232,760 S	* 9/1974	Lanese	D15/140
D232,761 S	9/1974	Lanese	
D235,475 S	* 6/1975	Waldman	D15/140
D239,131 S	3/1976	Adler	
3,967,816 A	7/1976	Ramsperger et al.	
4,030,718 A	6/1977	Philipoff	

D269,518 S	6/1983	Karlan	
D271,772 S	12/1983	Grohowski	
D294,587 S	3/1988	Smith et al.	
D294,588 S	* 3/1988	Smith et al.	D15/140
D302,277 S	7/1989	Bishop	
D336,481 S	6/1993	Silvia	
5,816,568 A	10/1998	Fox	
5,845,555 A	12/1998	Dawley	

FOREIGN PATENT DOCUMENTS

DE 43 21 387 1/1994

* cited by examiner

Primary Examiner—Antoine D. Davis

Assistant Examiner—Patricia Palasik

(74) *Attorney, Agent, or Firm*—Ryan Kromholz & Manion
S.C.

(57) **CLAIM**

The ornamental design for a collet holder and tool body, as shown and described.

DESCRIPTION

FIG. 1 is a perspective view of a collet tool body according to the present invention.

FIG. 2 is a front elevation view of the collet tool body of FIG. 1.

FIG. 3 is a rear elevation view of the collet tool body of FIG. 1.

FIG. 4 is a left side view of the collet tool body of FIG. 1.

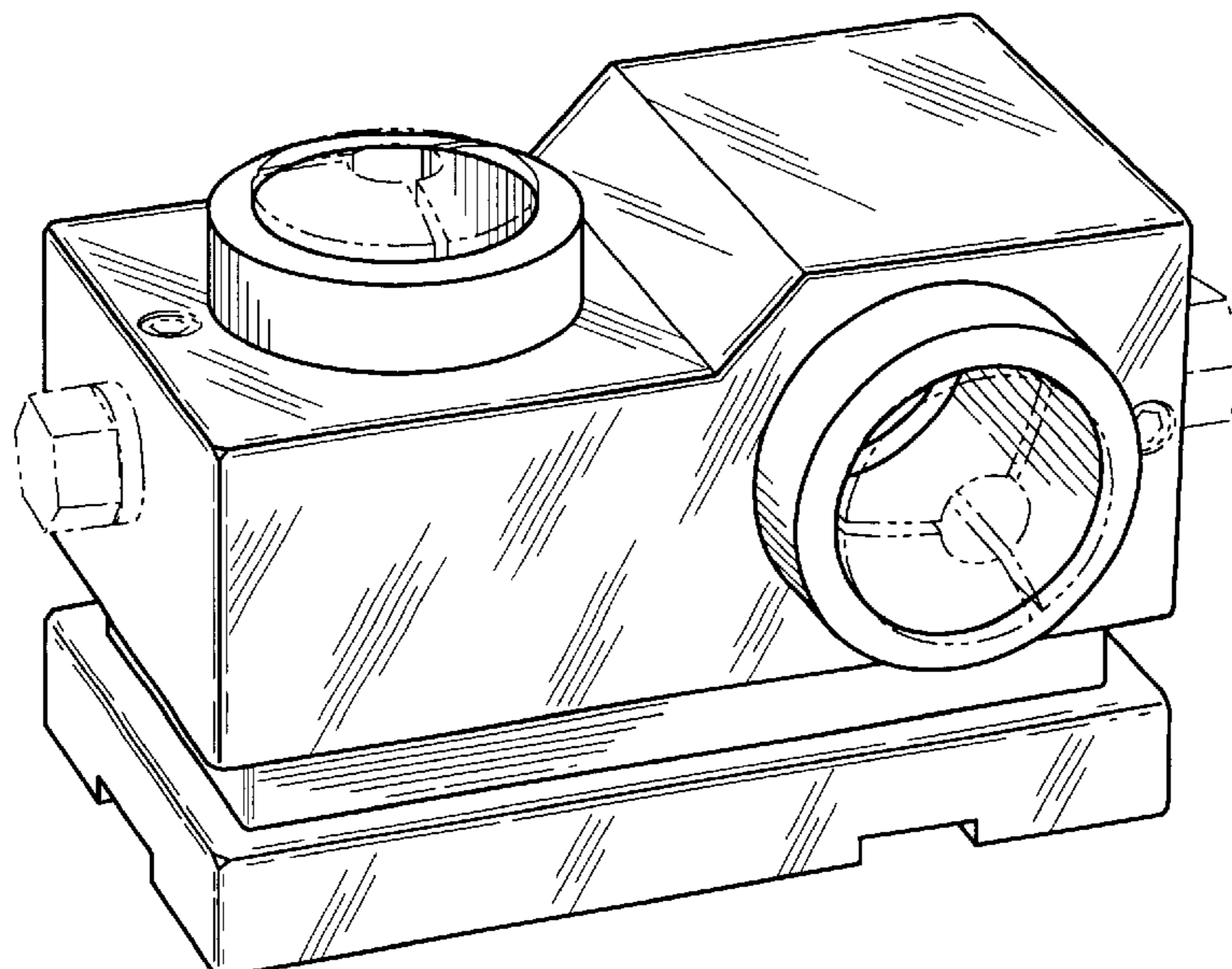
FIG. 5 is a right side view of the collet tool body of FIG. 1.

FIG. 6 is top plan view of the collet tool body of FIG. 1; and,

FIG. 7 is a bottom plan view of the collet tool body of FIG. 1.

The broken lines in FIGS. 1–7 are illustrative of environmental structure only and form no part of the claimed design.

1 Claim, 2 Drawing Sheets



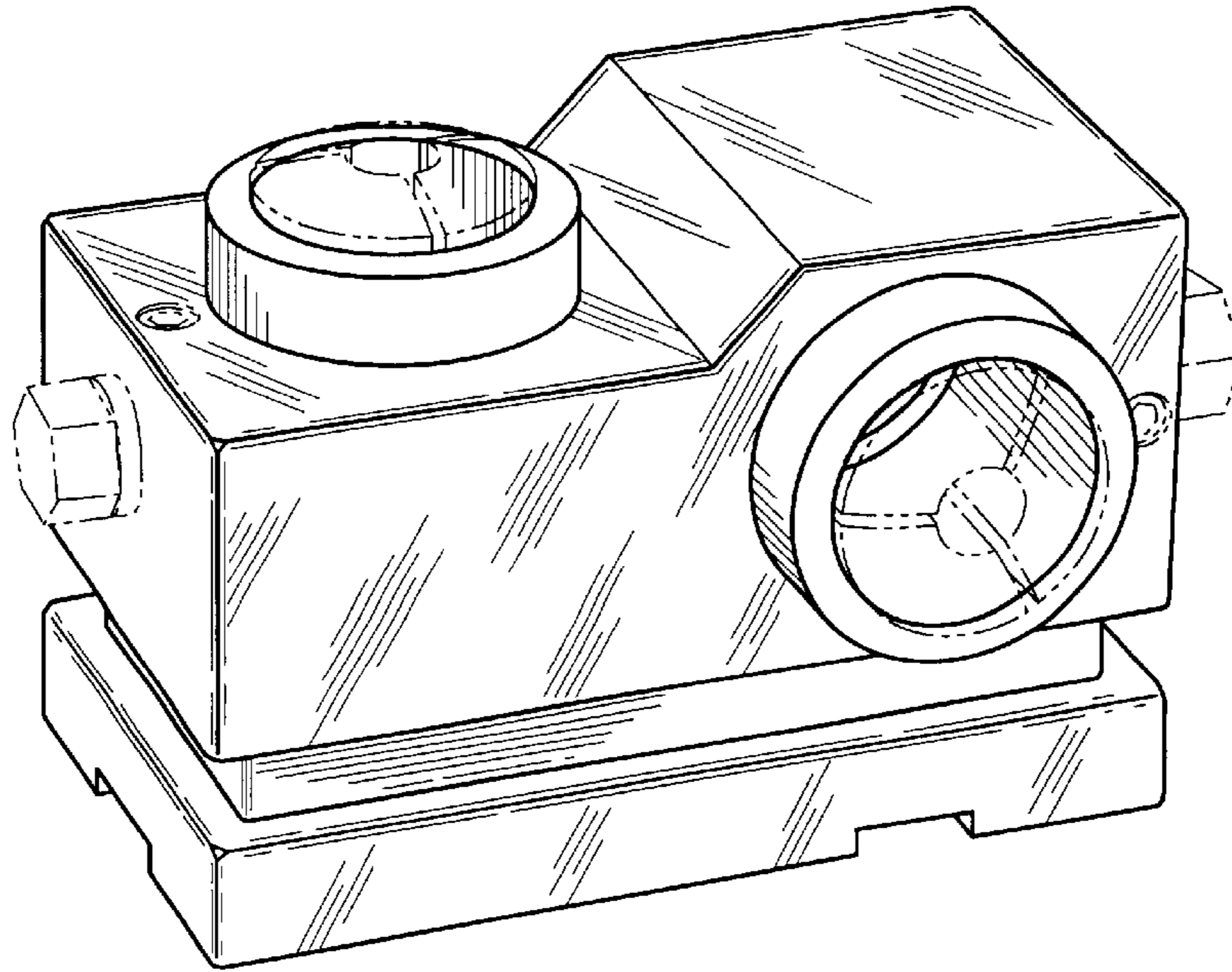


Fig. 1

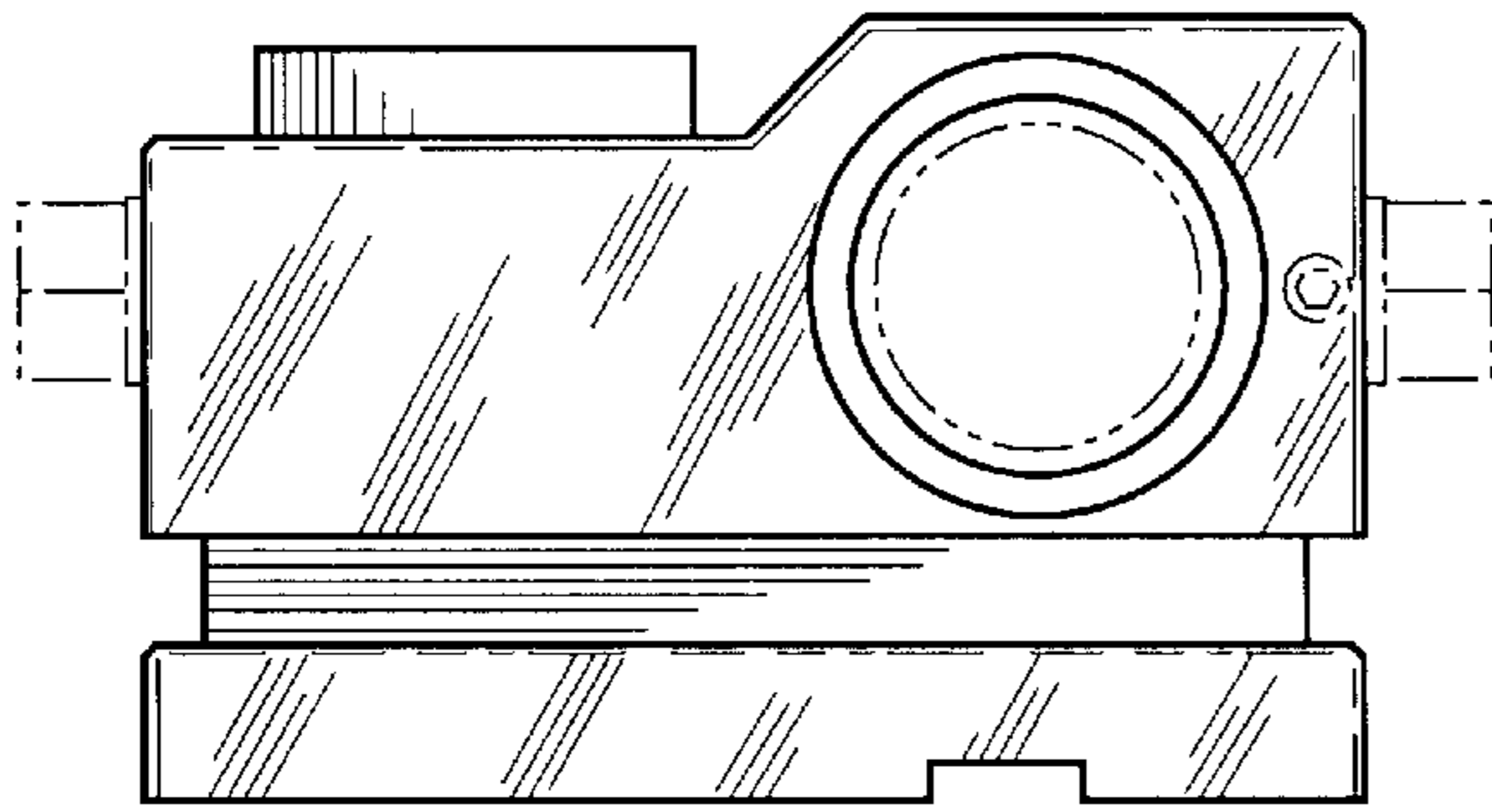


Fig. 2

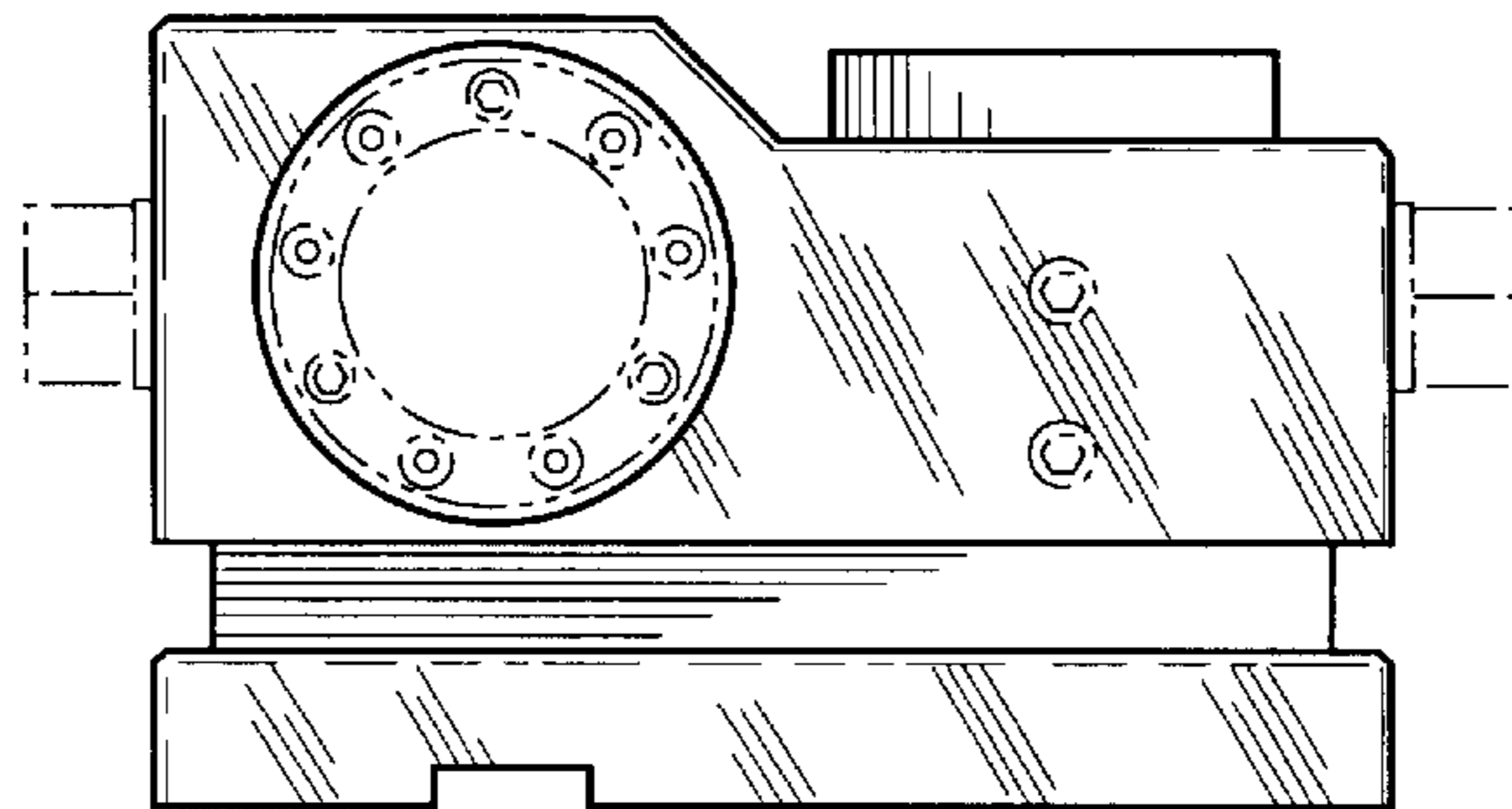


Fig. 3

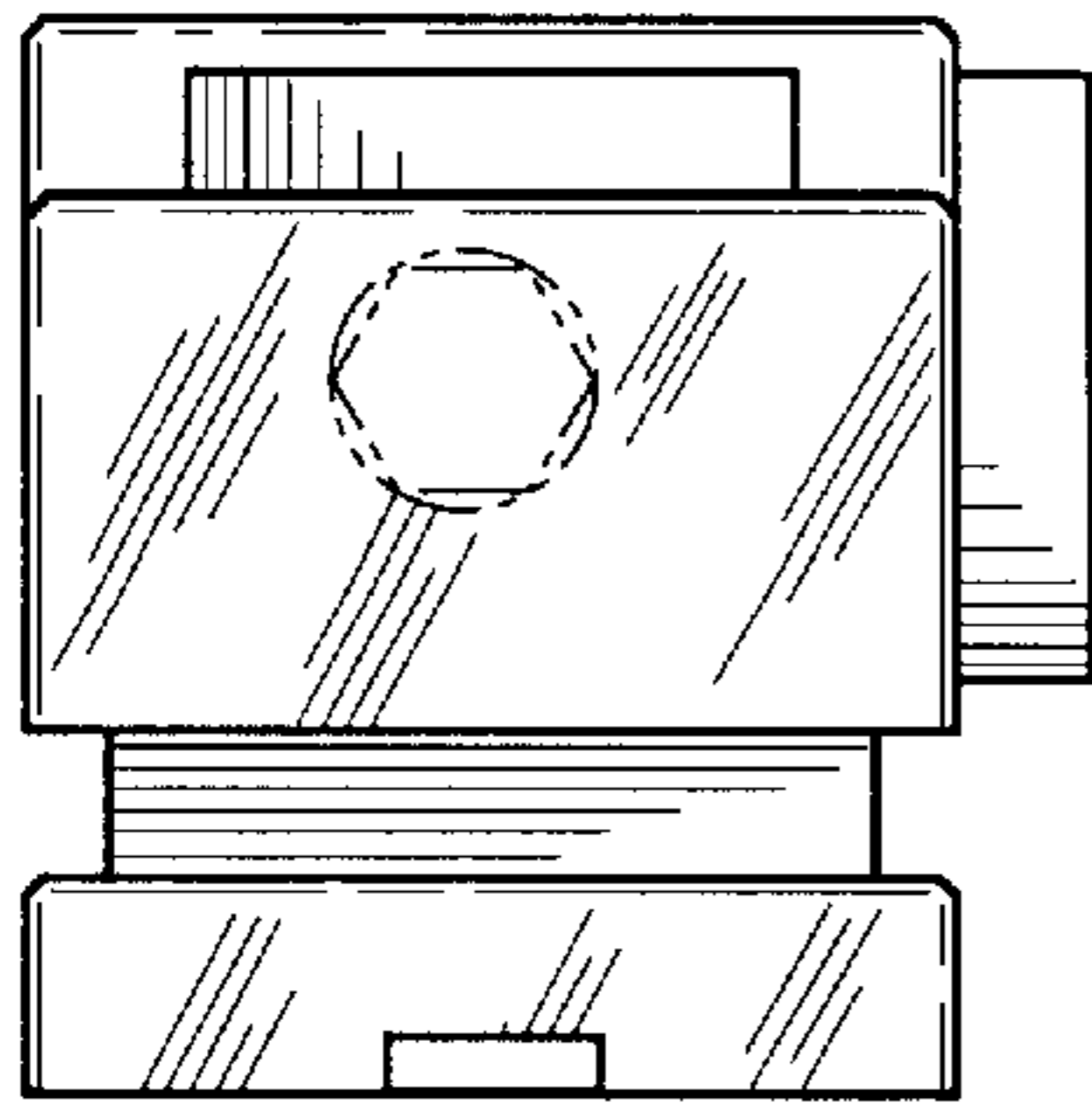


Fig. 4

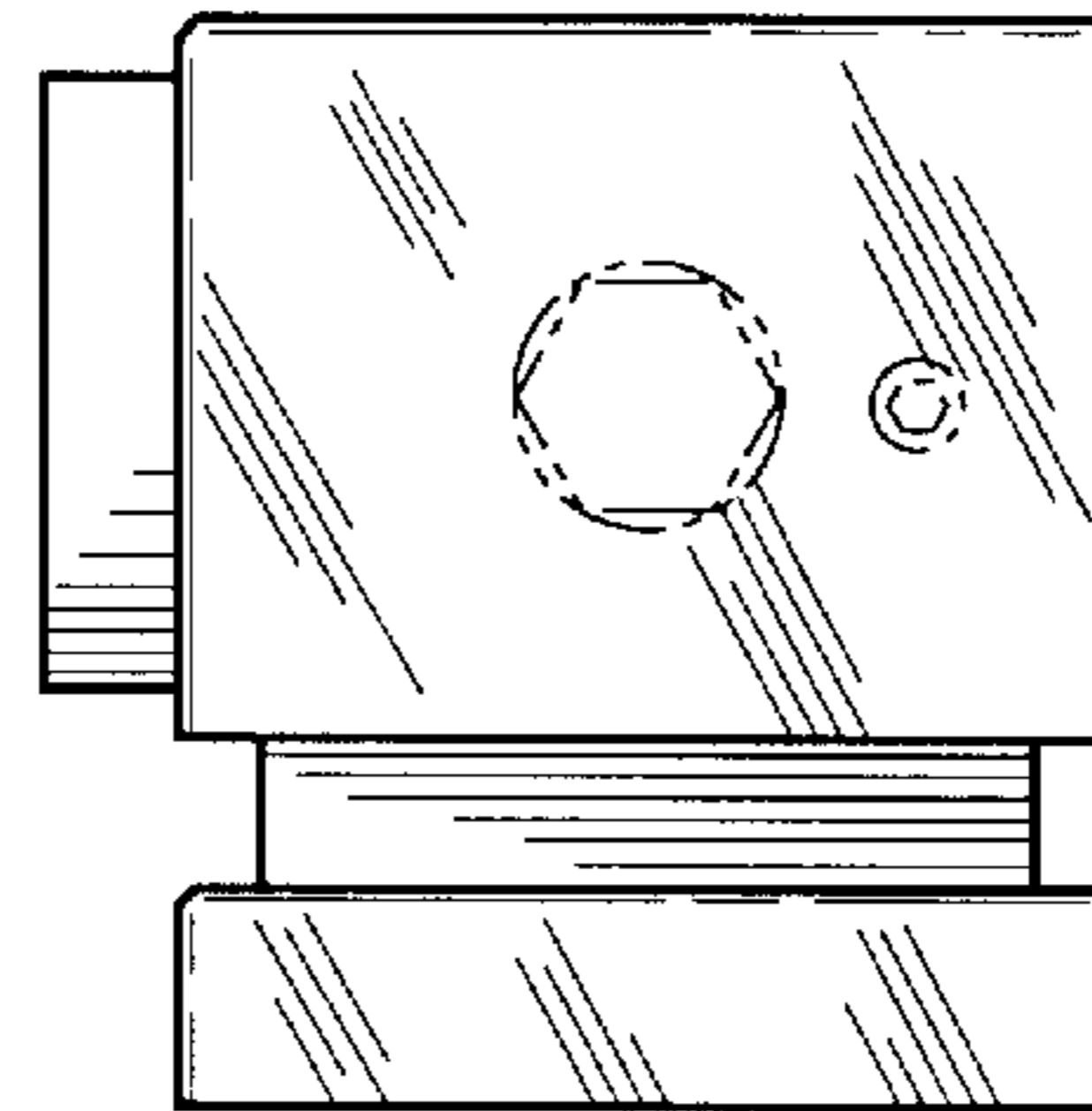


Fig. 5

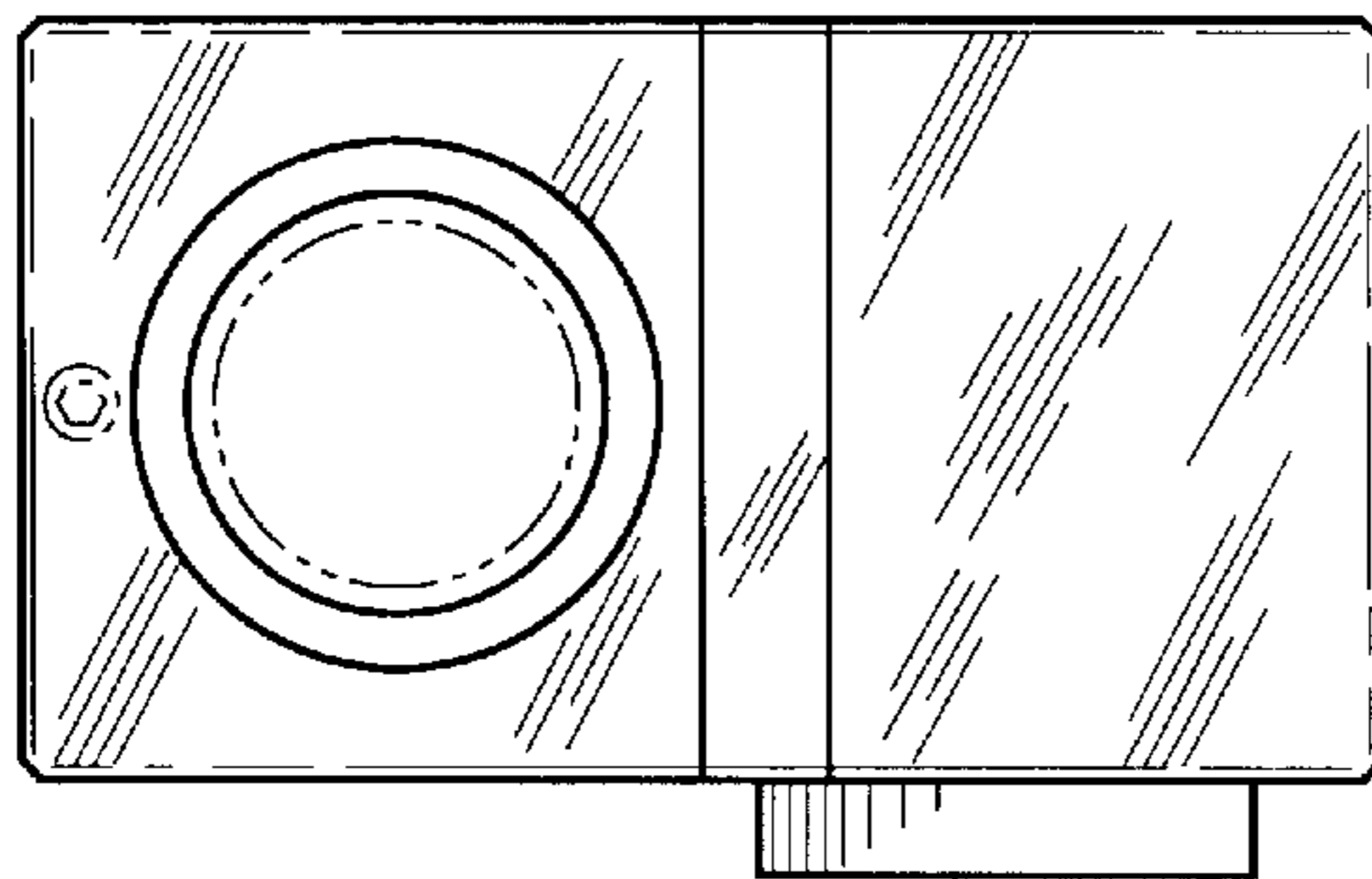


Fig. 6

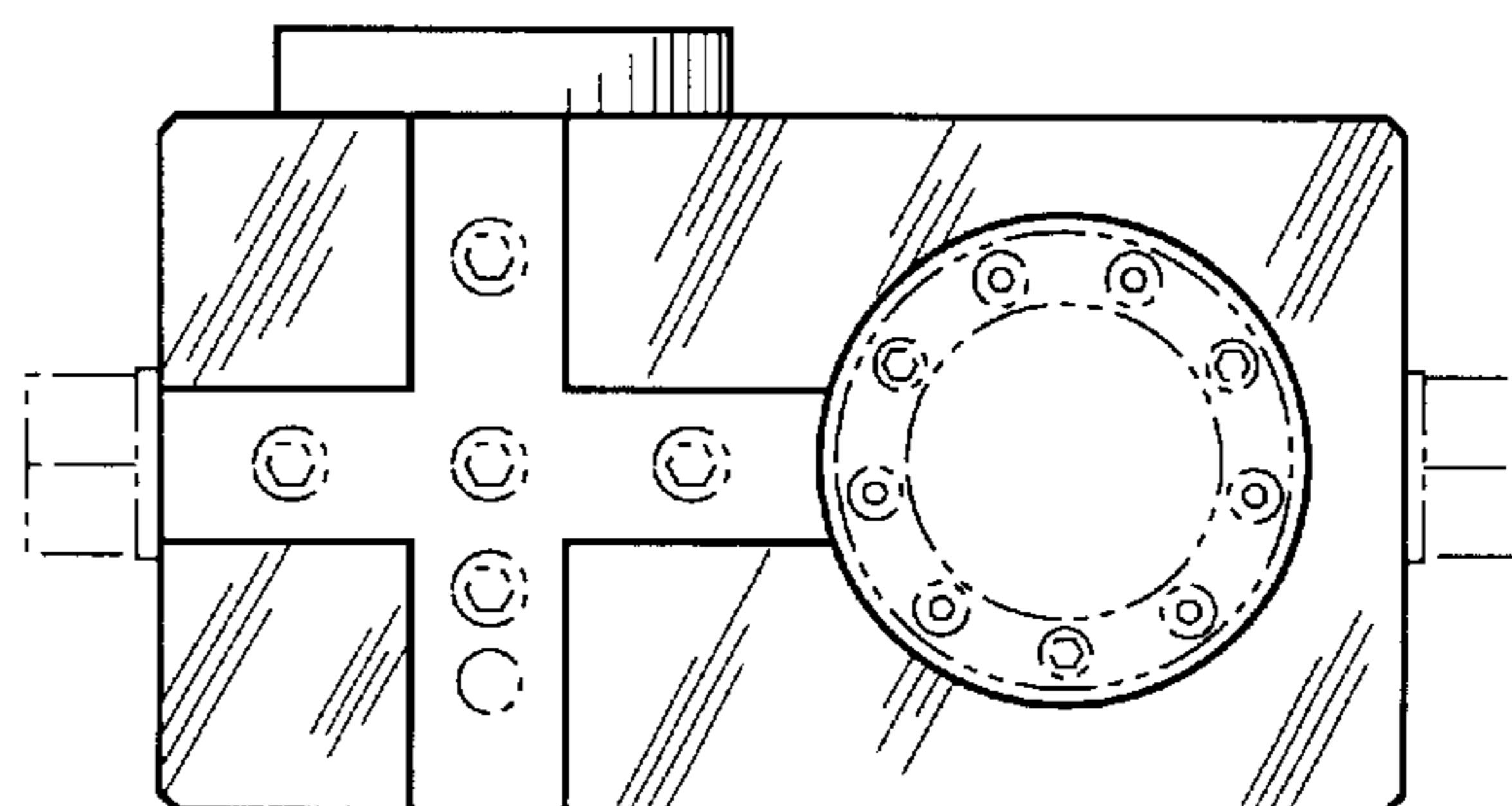


Fig. 7

UNITED STATES PATENT AND TRADEMARK OFFICE
CERTIFICATE OF CORRECTION

PATENT NO. : Des. 538,315 S
APPLICATION NO. : 29/215915
DATED : March 13, 2007
INVENTOR(S) : Randy J. Bernhardt

Page 1 of 1

It is certified that error appears in the above-identified patent and that said Letters Patent is hereby corrected as shown below:

On the title page under item (56) References Cited Other Publications, insert
-- MSC Industrial Supply Co. catalog, 2004/2005, pg. 1641 --

Signed and Sealed this

Twenty-sixth Day of May, 2009



JOHN DOLL
Acting Director of the United States Patent and Trademark Office