



US00D538311S

(12) **United States Design Patent**
Haraldsson et al.

(10) **Patent No.:** **US D538,311 S**
(45) **Date of Patent:** **** Mar. 13, 2007**

(54) **PORTION OF A TISSUE MACHINE**

(75) Inventors: **Ulf Haraldsson**, Karlstad (SE); **Petteri Venetjoki**, Helsinki (FI); **Leif Videgren**, Karlstad (SE)

(73) Assignee: **Metso Paper Karlstad AB**, Karlstad (SE)

(**) Term: **14 Years**

(21) Appl. No.: **29/218,035**

(22) Filed: **Nov. 24, 2004**

(30) **Foreign Application Priority Data**

May 26, 2004 (SE) 04-0407

(51) **LOC (8) Cl.** **15-09**

(52) **U.S. Cl.** **D15/122**

(58) **Field of Classification Search** D15/122,
D15/199; 162/109, 118, 271, 280, 287, 289,
162/297, 301, 304, 305, 358.1, 358.3, 358.4,
162/361, 363

See application file for complete search history.

(56) **References Cited**

U.S. PATENT DOCUMENTS

4,036,684 A * 7/1977 Schmitt et al. 162/301

4,472,244 A * 9/1984 Haltsonen 162/301
5,427,654 A * 6/1995 Gray et al. 162/301
6,702,925 B2 * 3/2004 Bricco et al. 162/289
6,755,940 B2 * 6/2004 Lin et al. 162/252
2005/0098282 A1 * 5/2005 Scherb 162/358.3

* cited by examiner

Primary Examiner—Antoine D. Davis

Assistant Examiner—Patricia Palasik

(74) *Attorney, Agent, or Firm*—Alston & Bird LLP

(57) **CLAIM**

The ornamental design for a portion of a tissue machine, as shown and described.

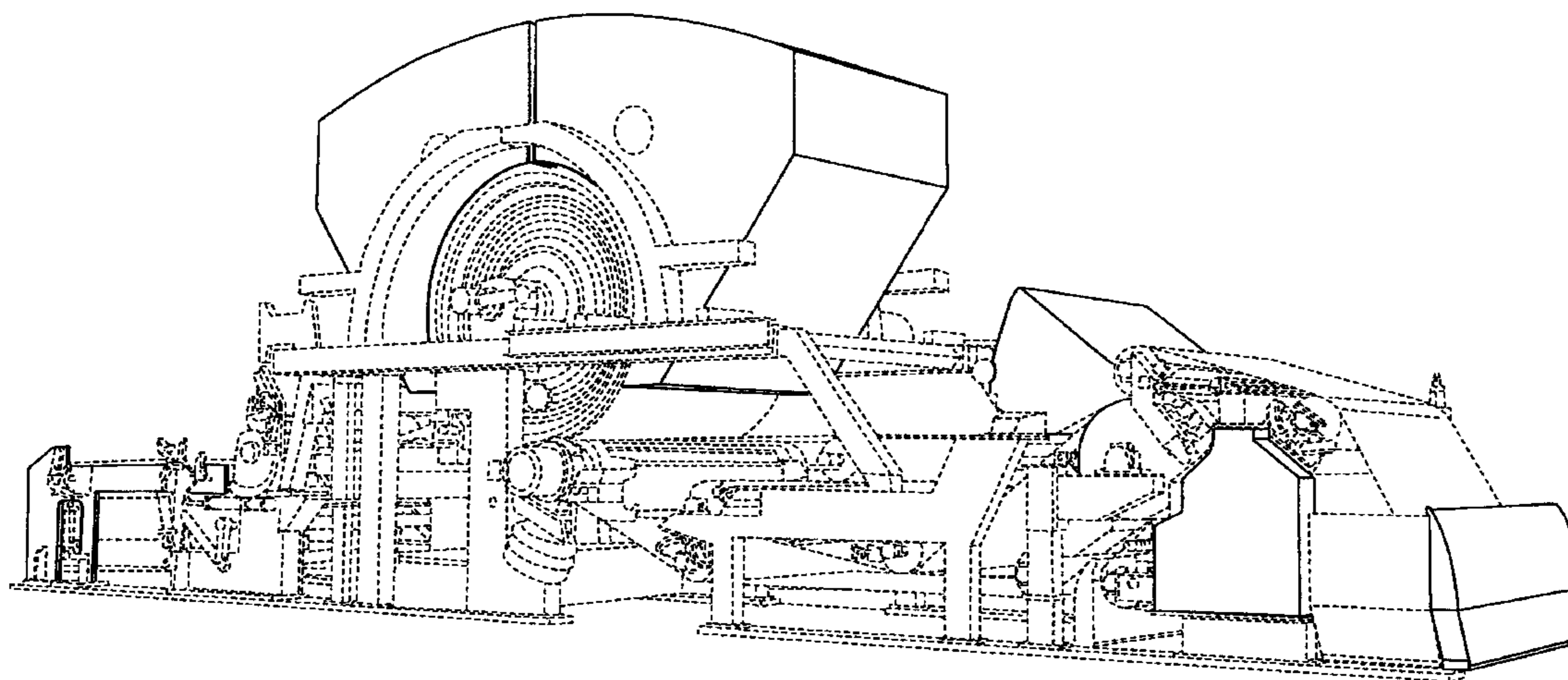
DESCRIPTION

FIG. 1 is a perspective view of a portion of a tissue machine according to our design; and,

FIG. 2 is another perspective view thereof.

The broken lines shown herein are for illustrative purposes only and form no part of the claimed design.

1 Claim, 2 Drawing Sheets



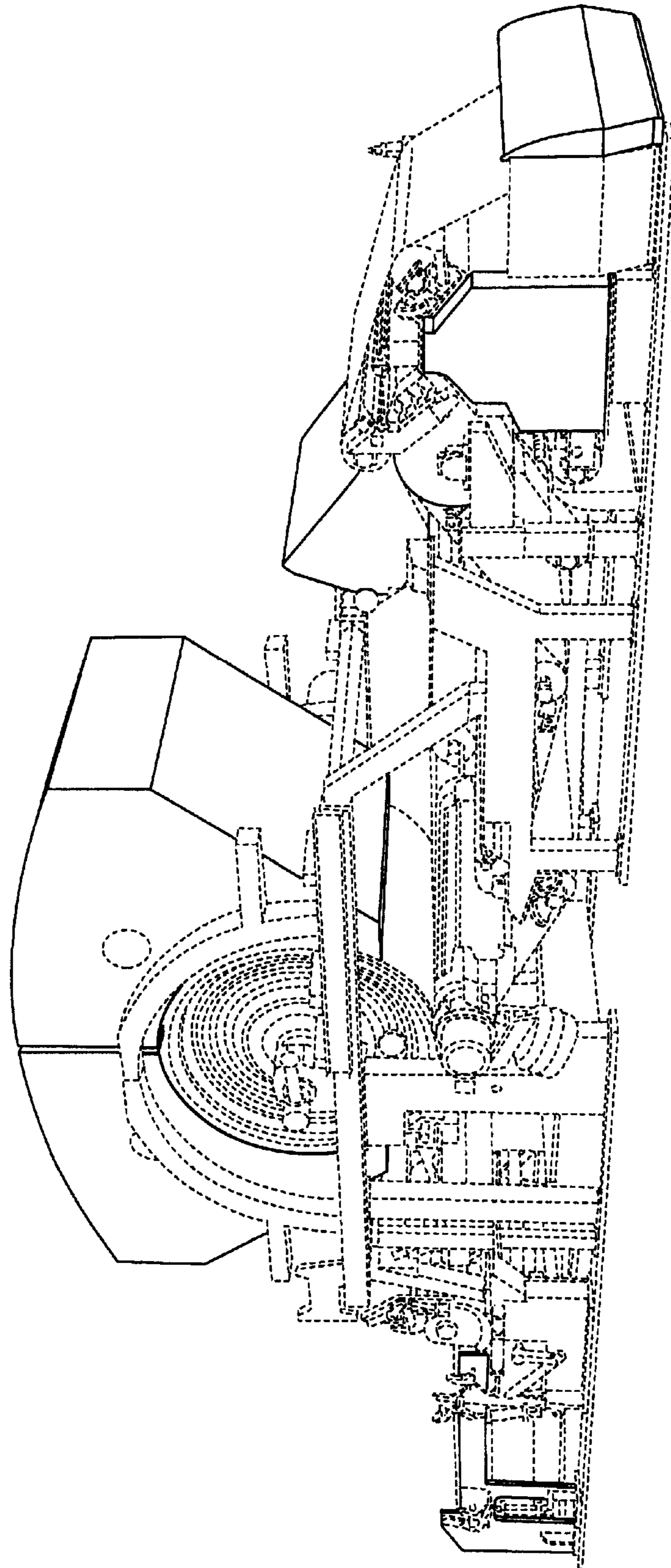


FIG. 1

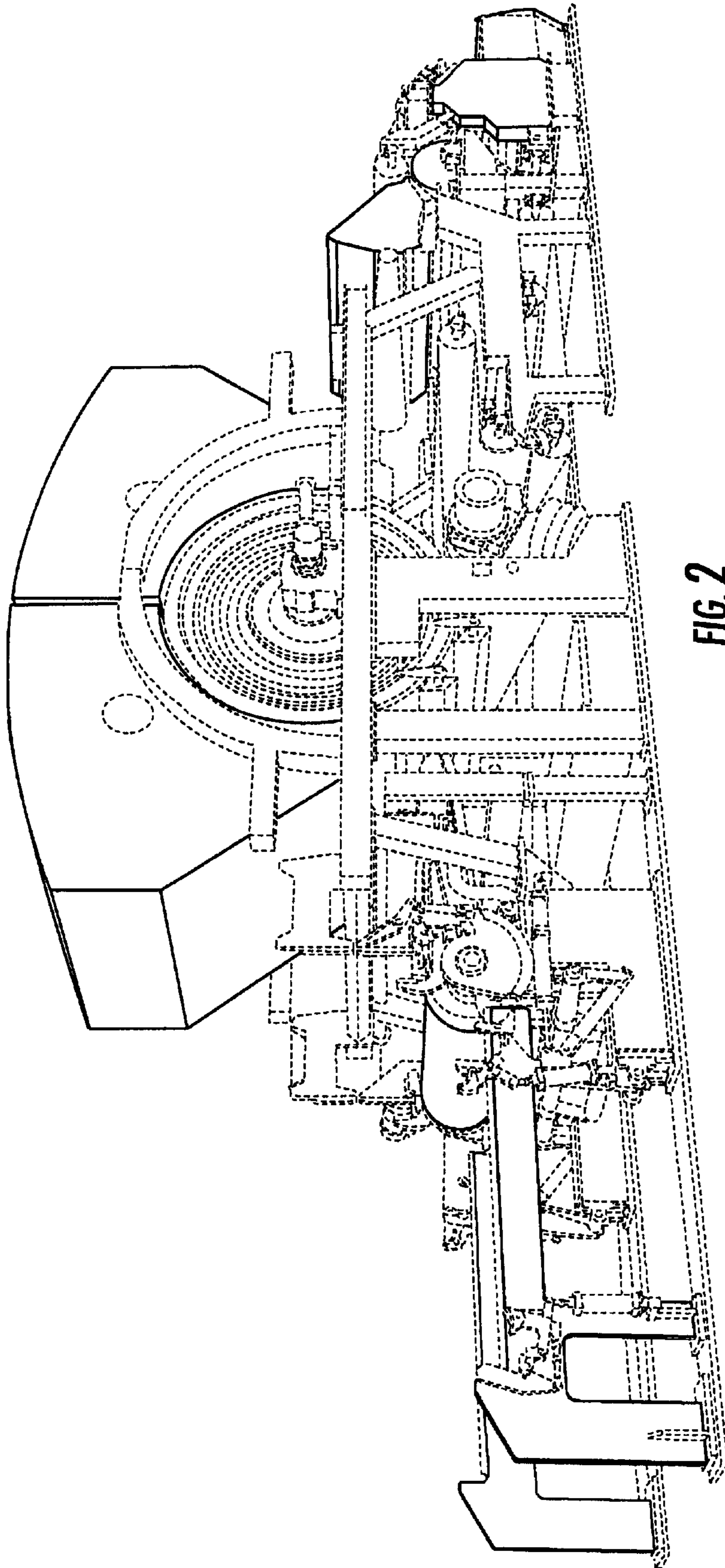


FIG. 2