



US00D538309S

(12) **United States Design Patent**
Mount

(10) **Patent No.:** **US D538,309 S**

(45) **Date of Patent:** **** *Mar. 13, 2007**

(54) **REUSABLE ICE PACK**

(75) **Inventor:** **Floyd E. Mount**, Decorah, IA (US)

(73) **Assignee:** **Iowa Rotocast Plastics, Inc.**, Decorah, IA (US)

(*) **Notice:** This patent is subject to a terminal disclaimer.

(**) **Term:** **14 Years**

(21) **Appl. No.:** **29/255,719**

(22) **Filed:** **Mar. 10, 2006**

(51) **LOC (8) Cl.** **15-07**

(52) **U.S. Cl.** **D15/90**

(58) **Field of Classification Search** D15/79,
D15/80, 82, 89, 90, 152; D23/211.1; 62/125,
62/126; 312/3.6, 116, 138.1, 236, 401, 402,
312/404, 405, 405.1, 406; 220/675, 676,
220/684, 685; 224/271

See application file for complete search history.

(56) **References Cited**

U.S. PATENT DOCUMENTS

4,143,764 A * 3/1979 Moss, III 220/676

D322,383 S * 12/1991 Jones D15/90
D336,595 S * 6/1993 Jones D15/90
D445,434 S * 7/2001 Doornhein D15/90
D473,572 S * 4/2003 Linberg et al. D15/90
2004/0020950 A1 * 2/2004 Overbay 224/271

* cited by examiner

Primary Examiner—Stella Reid

Assistant Examiner—Shanda C. Hill

(74) *Attorney, Agent, or Firm*—Sturm & Fix LLP

(57) **CLAIM**

The ornamental design for a reusable ice pack, as shown and described.

DESCRIPTION

FIG. 1 is a perspective view of the reusable ice pack showing my new design;

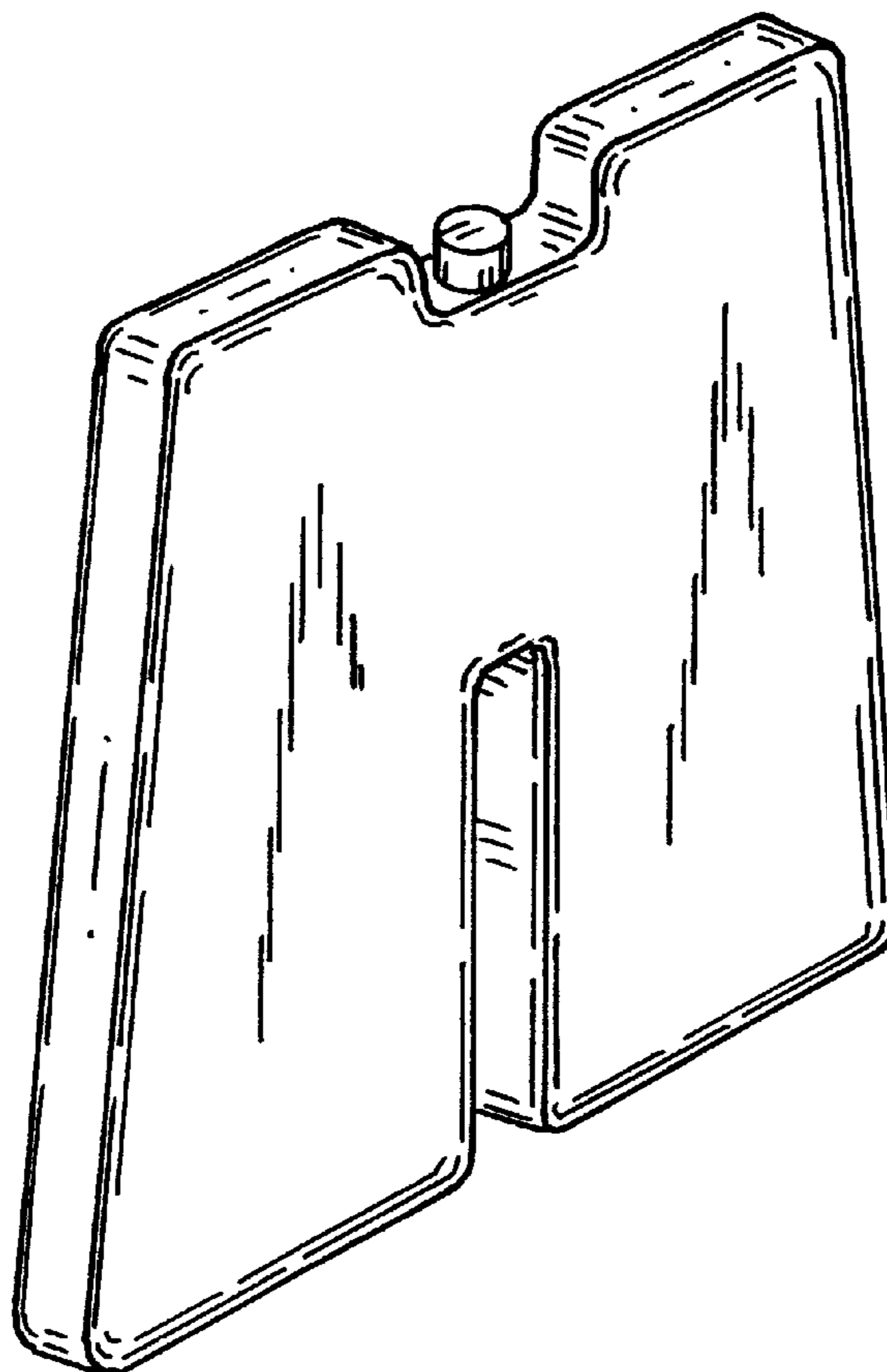
FIG. 2 is a front elevational view thereof, the rear elevational view being identical thereto;

FIG. 3 is a top plan view thereof;

FIG. 4 is a bottom plan view thereof; and,

FIG. 5 is a right-side elevational view thereof, the left side elevational view being identical thereto.

1 Claim, 1 Drawing Sheet



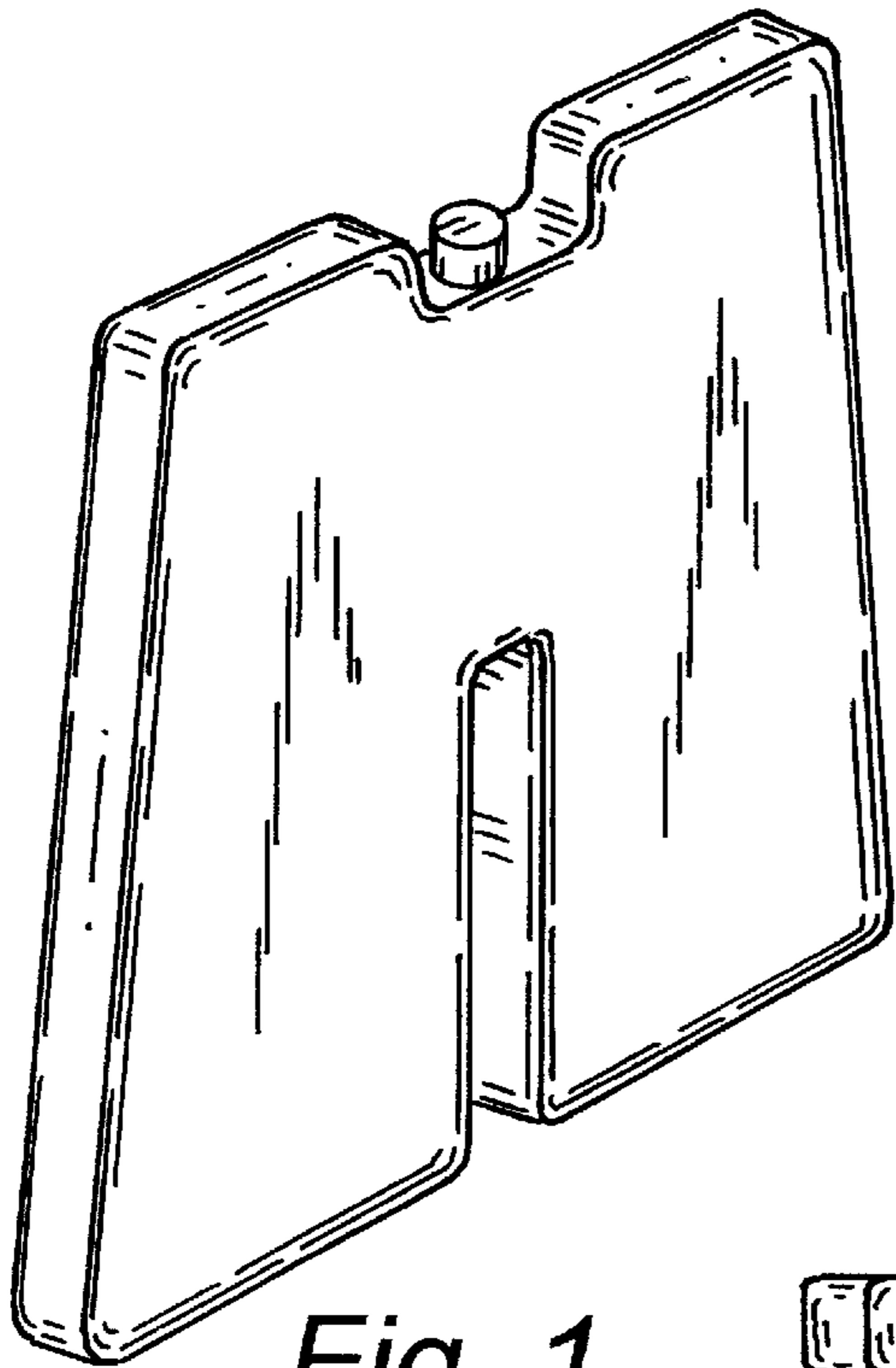


Fig. 1



Fig. 5



Fig. 3

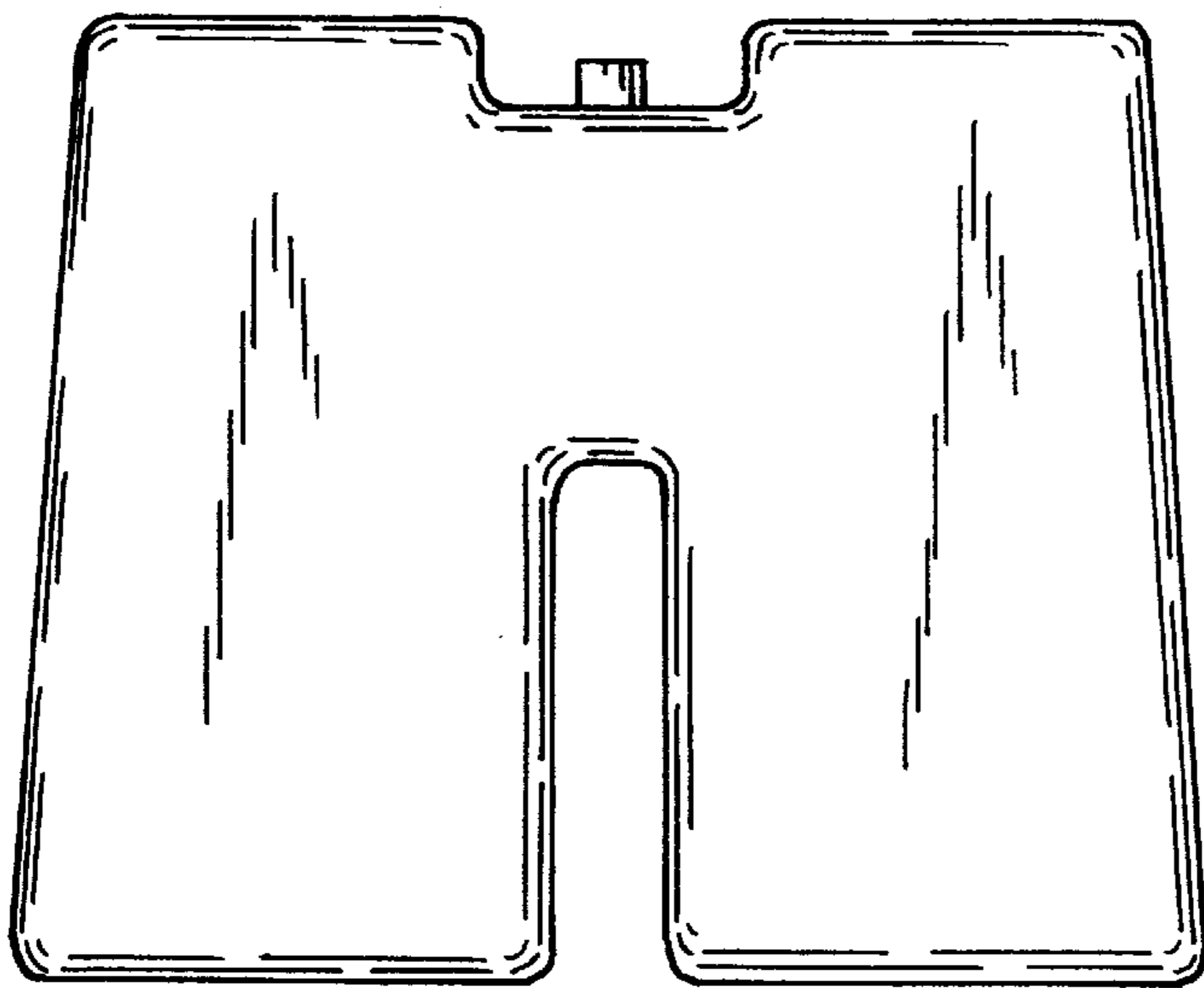


Fig. 2



Fig. 4