



US00D538308S

(12) **United States Design Patent**
Debontridder

(10) **Patent No.:** **US D538,308 S**

(45) **Date of Patent:** **** Mar. 13, 2007**

(54) **COOLER**

(75) **Inventor:** **Lutgard Debontridder**, Roeselare (BE)

(73) **Assignee:** **North Atlantic Patent & Investment Holding S.A.**, Luxembourg (LU)

(**) **Term:** **14 Years**

(21) **Appl. No.:** **29/254,050**

(22) **Filed:** **Feb. 16, 2006**

(30) **Foreign Application Priority Data**

Aug. 18, 2005 (EM) 000387949-0001

(51) **LOC (8) Cl.** **15-07**

(52) **U.S. Cl.** **D15/83**

(58) **Field of Classification Search** D15/79-87;
D6/471, 472; 62/125, 126; 312/3.6, 116,
312/138.1, 236, 401, 402, 404, 405, 405.1,
312/406

See application file for complete search history.

(56) **References Cited**

U.S. PATENT DOCUMENTS

D209,722 S * 12/1967 Mangini D6/471
5,112,118 A * 5/1992 Wiehle 312/116
D392,295 S * 3/1998 Johnson D15/81

D427,210 S * 6/2000 Tsukida D15/83
D440,432 S * 4/2001 Topper et al. D6/471
D522,023 S * 5/2006 Debontridder D15/81
D522,539 S * 6/2006 Debontridder D15/81

* cited by examiner

Primary Examiner—Mitchell Siegel

Assistant Examiner—Shanda C. Hill

(74) *Attorney, Agent, or Firm*—Kirschstein, et al.

(57) **CLAIM**

The ornamental design for a cooler, as shown and described.

DESCRIPTION

FIG. 1 is a top, front and right side, perspective view of a cooler according to my new design;

FIG. 2 is a top, rear and right side, perspective view thereof;

FIG. 3 is a top plan view thereof;

FIG. 4 is a front elevational view thereof;

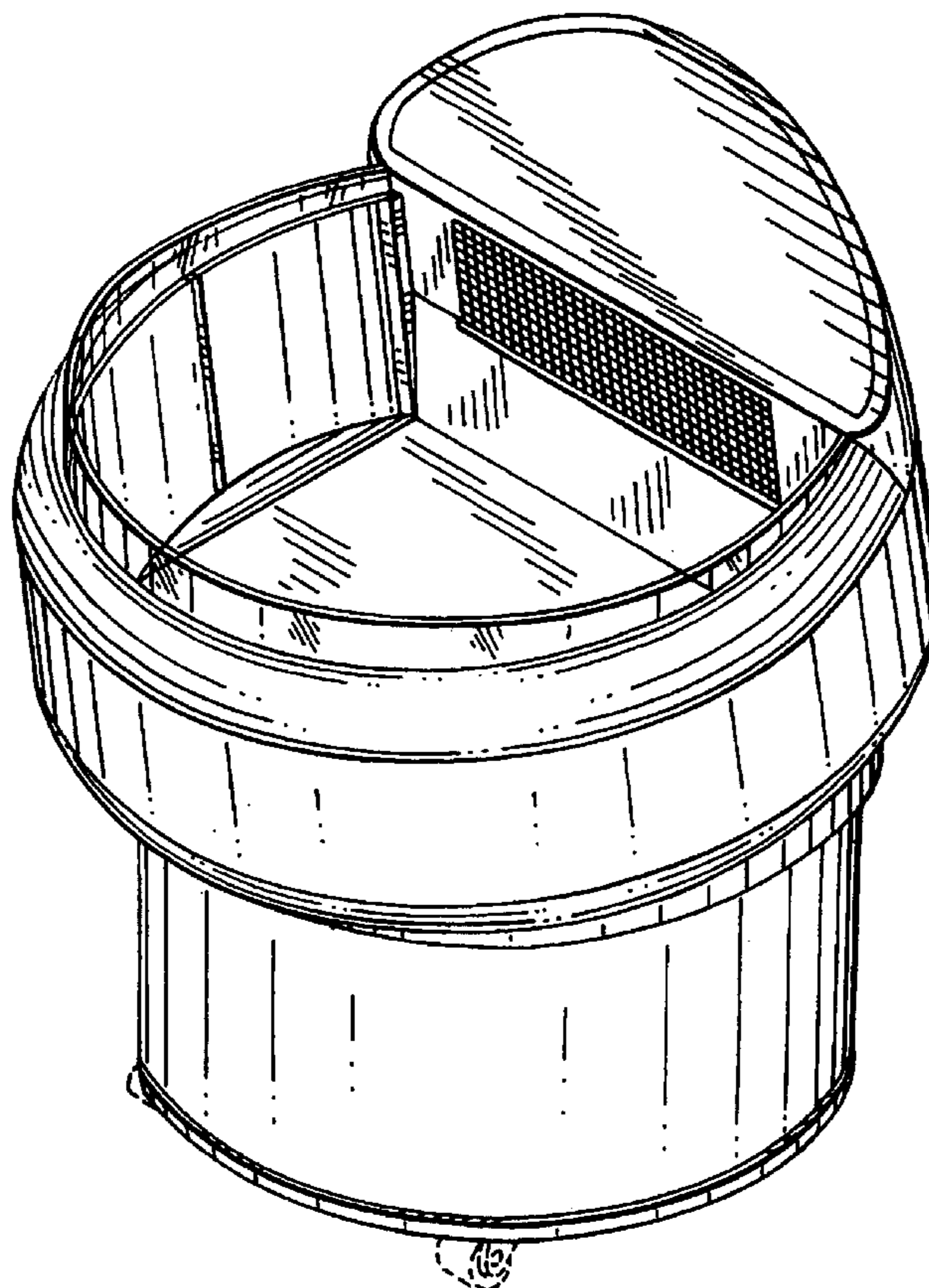
FIG. 5 is a left side elevational view thereof, the right side being a mirror image;

FIG. 6 is a bottom plan view thereof; and,

FIG. 7 is a rear elevational view thereof.

The broken lines shown in the drawing disclosure are for illustrative purposes only and form no part of the claimed design.

1 Claim, 5 Drawing Sheets



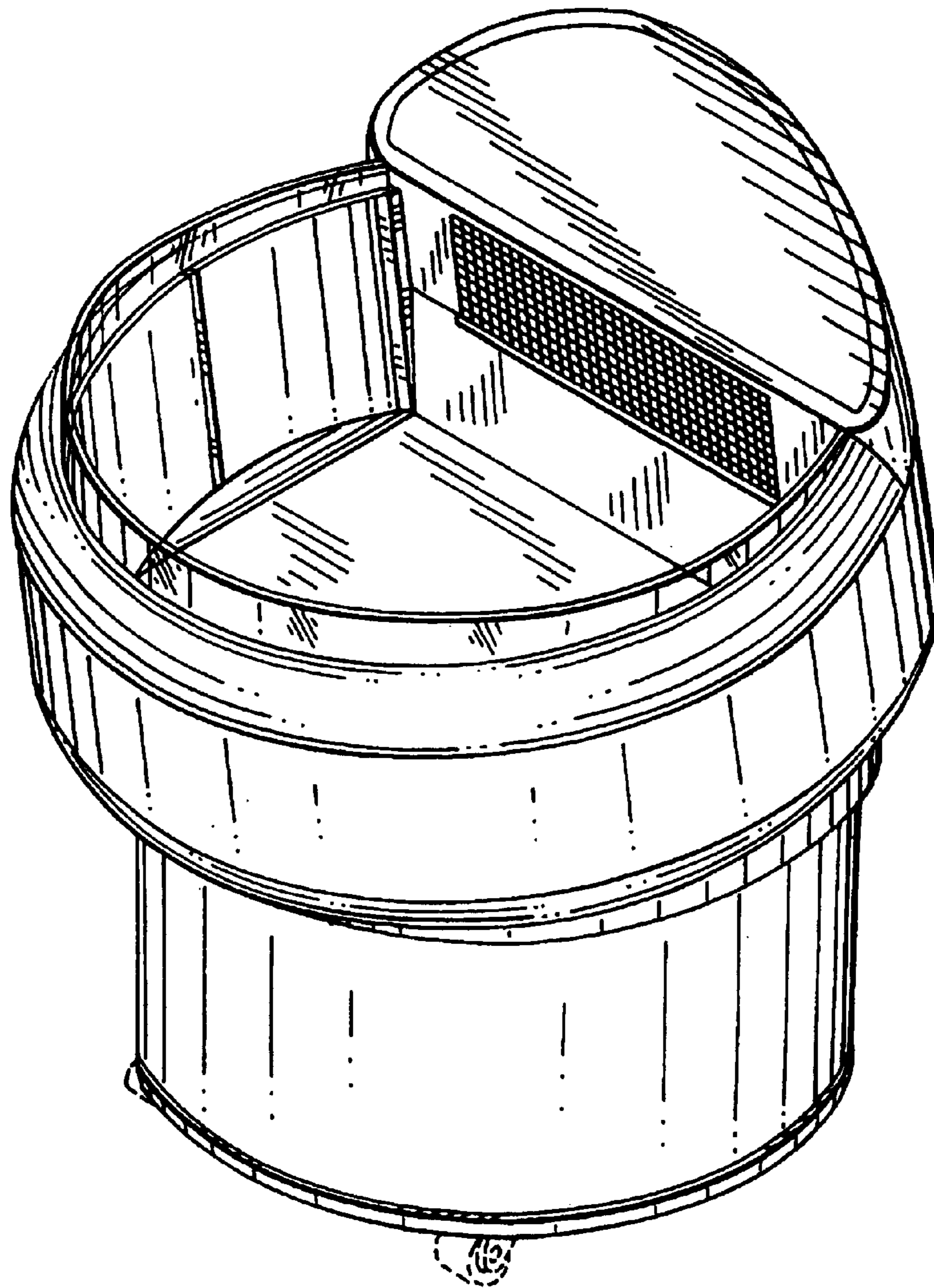


FIG. 1

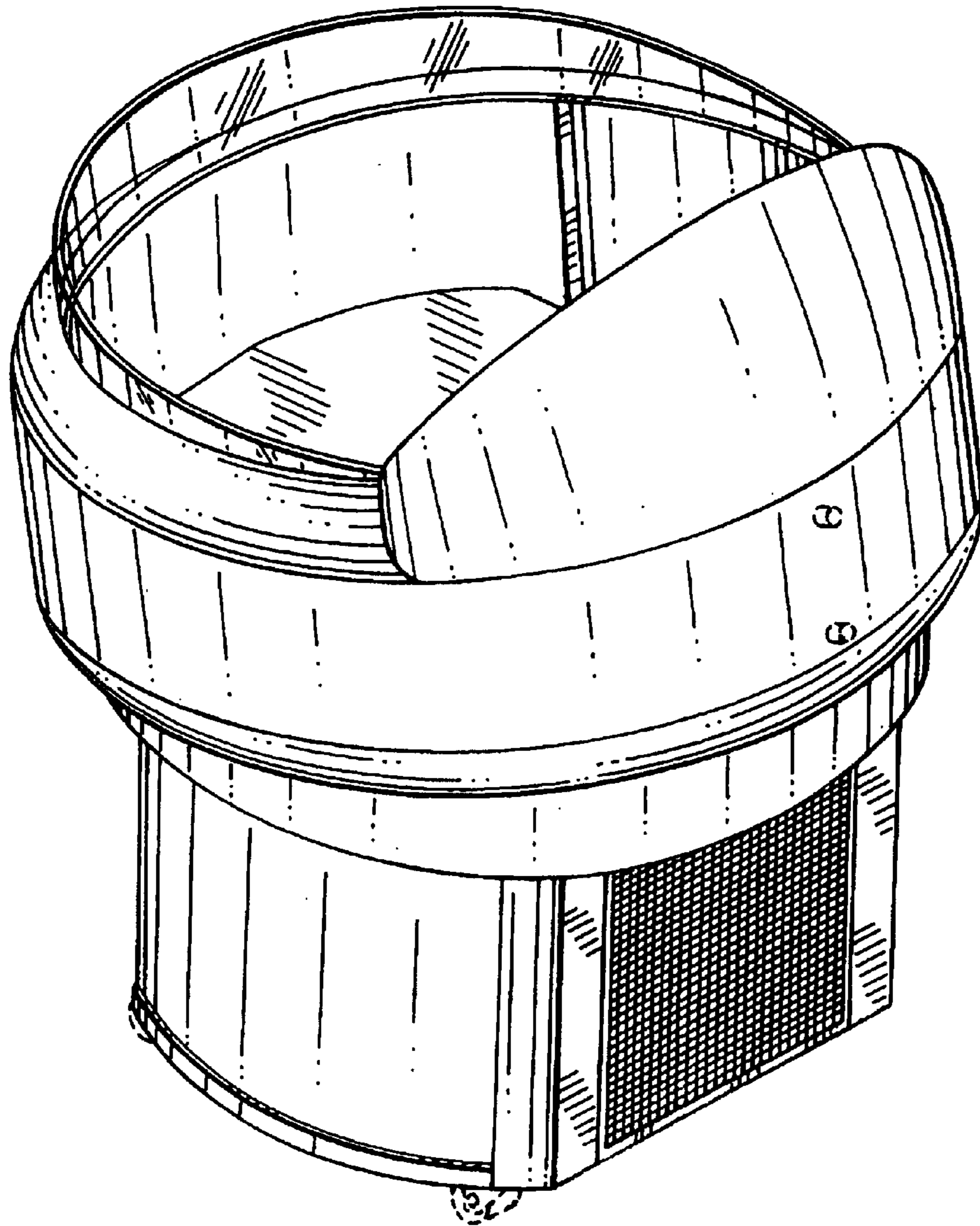


FIG. 2

FIG. 4

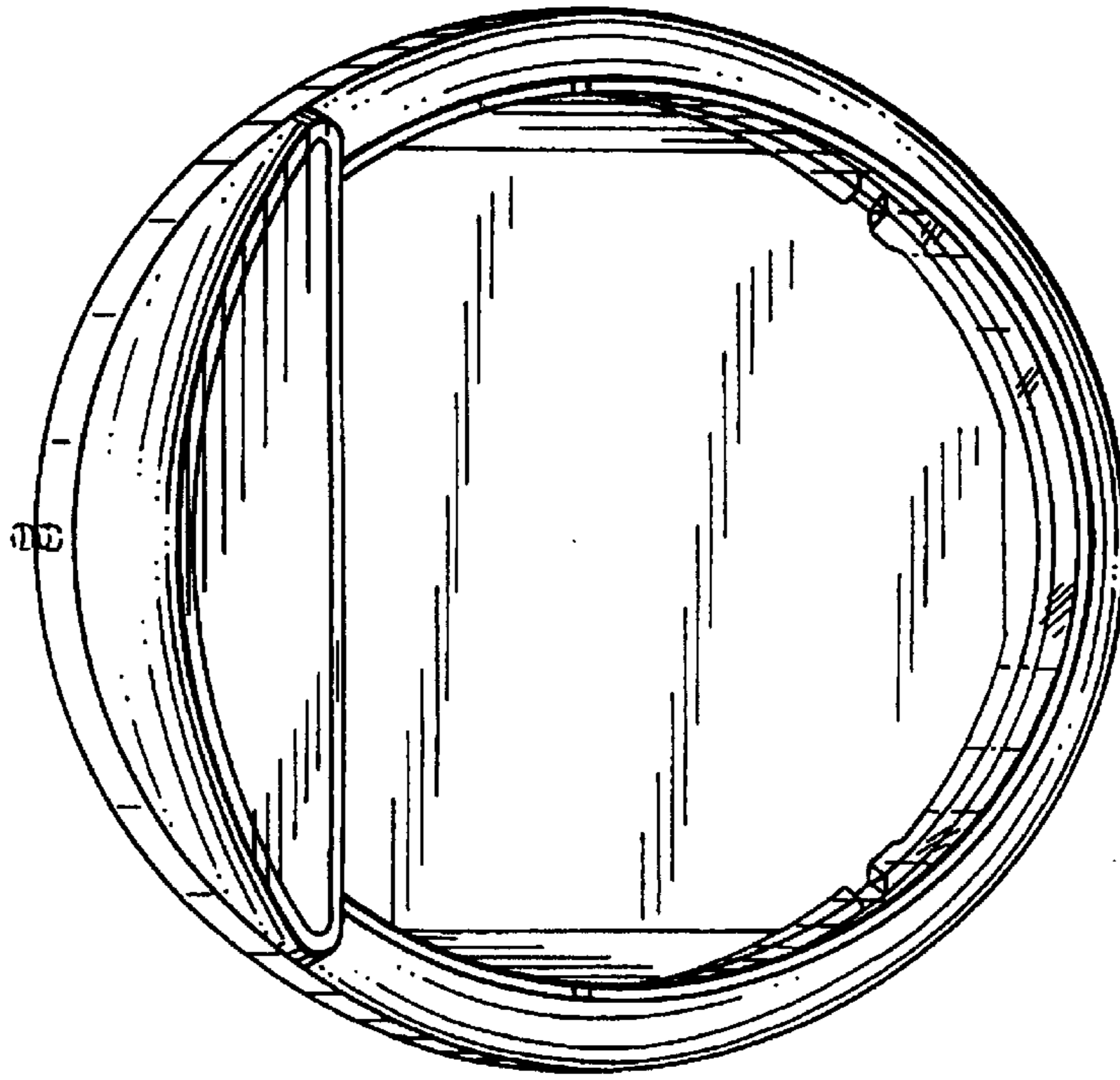
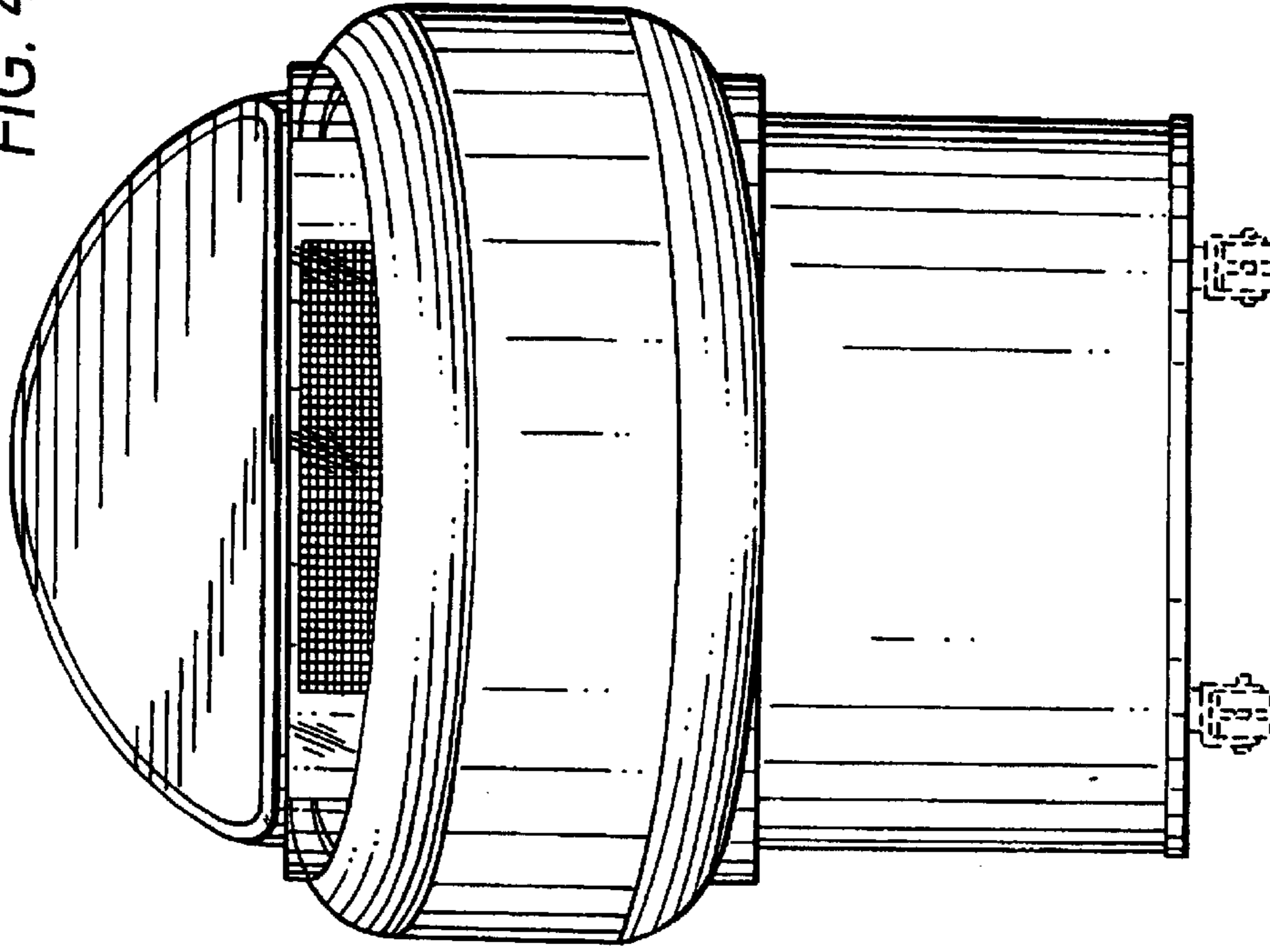


FIG. 3

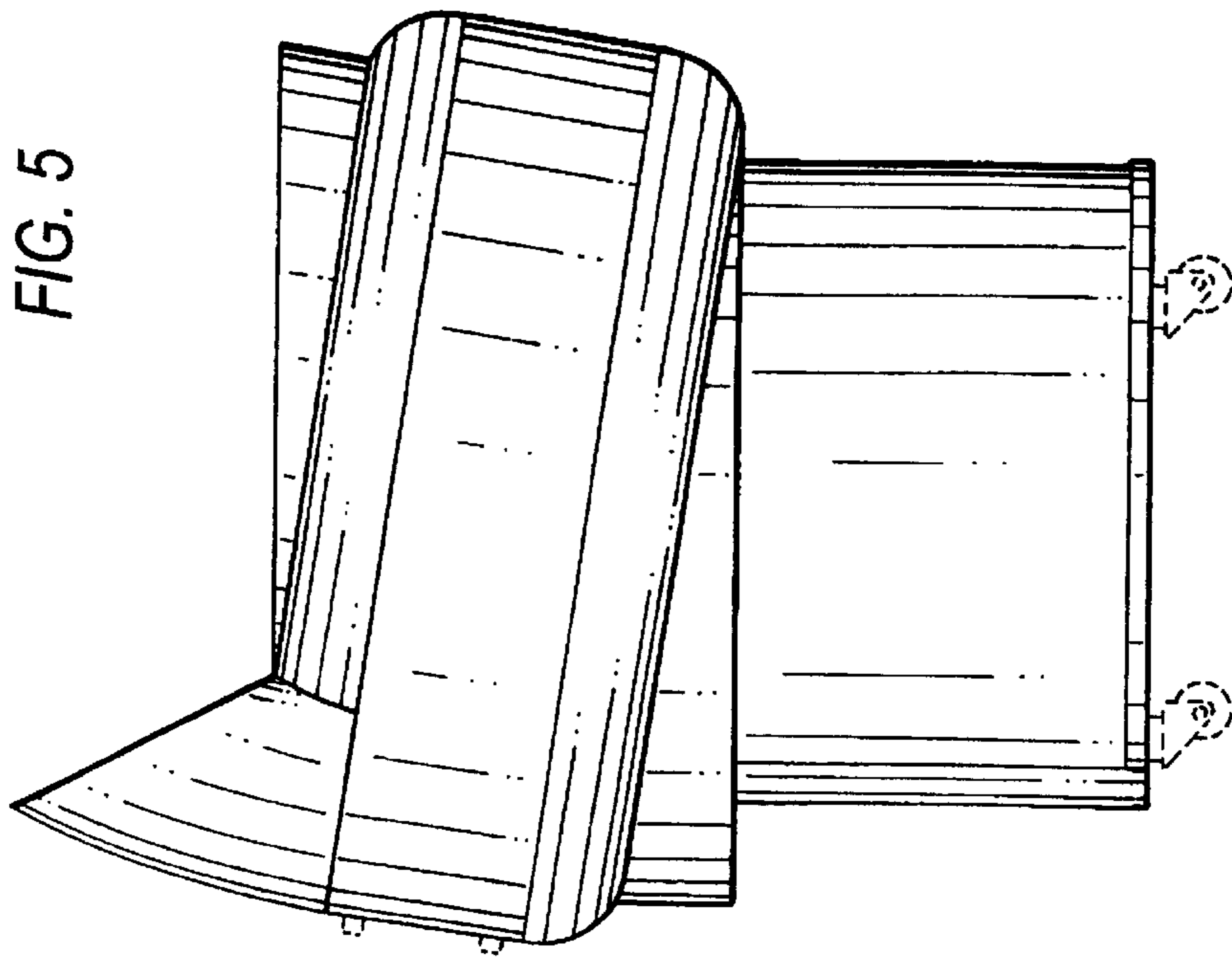


FIG. 5

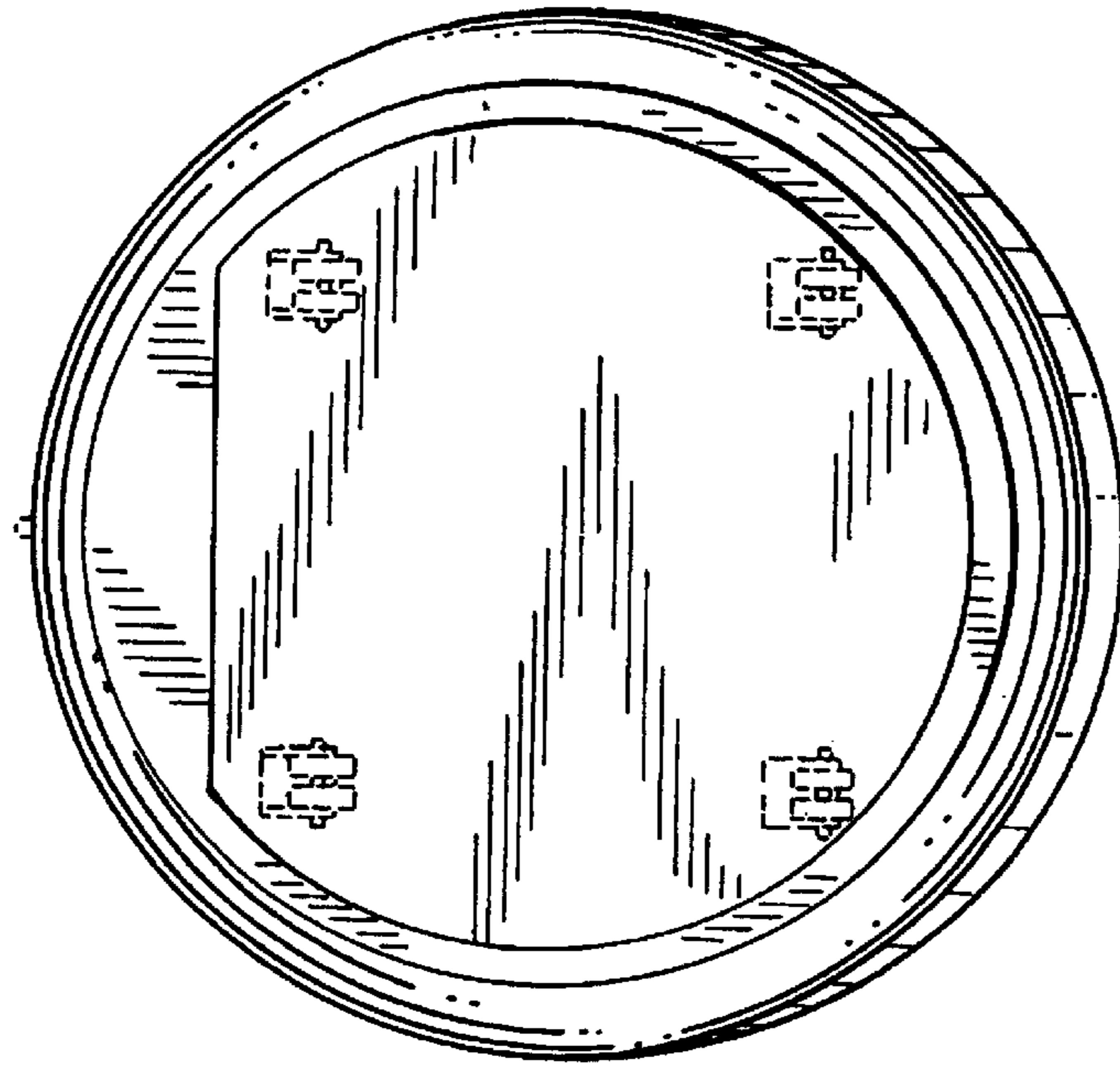


FIG. 6

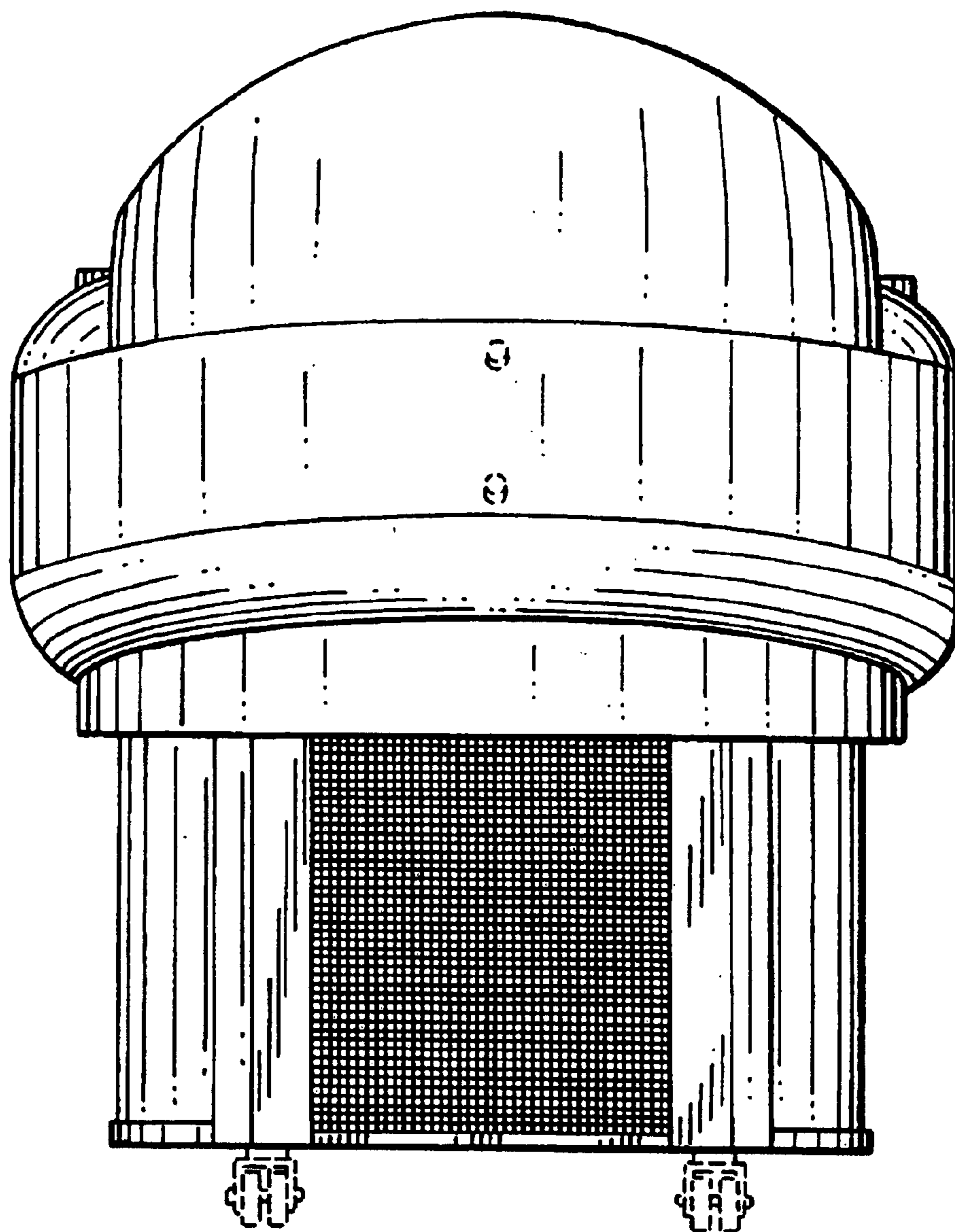


FIG. 7