



US00D538307S

(12) **United States Design Patent**
Matsumoto et al.

(10) **Patent No.:** **US D538,307 S**
(45) **Date of Patent:** **** Mar. 13, 2007**

(54) **BLADE FOR CONSTRUCTION MACHINERY**

(75) Inventors: **Norihisa Matsumoto**, Osaka (JP);
Tatsuo Wada, Osaka (JP)

(73) Assignee: **Komatsu Ltd.**, Tokyo (JP)

(**) Term: **14 Years**

(21) Appl. No.: **29/241,715**

(22) Filed: **Oct. 31, 2005**

(30) **Foreign Application Priority Data**

Sep. 15, 2005 (JP) 2005-026733

(51) **LOC (8) Cl.** **15-03**

(52) **U.S. Cl.** **D15/32**

(58) **Field of Classification Search** D15/10,
D15/11, 23, 25, 28, 32; 37/219, 273, 276,
37/407, 266, 279; 254/54.5, 59, 131.5; 702/41;
180/6.7; 172/701.1, 4.5, 7, 2, 817, 826, 821
See application file for complete search history.

(56) **References Cited**

U.S. PATENT DOCUMENTS

- 2,674,817 A * 4/1954 Palmiter 172/252
- D226,558 S * 3/1973 Skyer et al. D15/23
- D274,251 S * 6/1984 Hustveit D15/32
- 4,779,363 A * 10/1988 Boutrais et al. 37/405
- D310,225 S * 8/1990 Eberle D15/11
- 4,991,662 A * 2/1991 Caron et al. 172/701.1
- D323,660 S * 2/1992 Bolduc et al. D15/32
- 5,392,864 A 2/1995 Lindenmuth 172/811
- 5,535,830 A * 7/1996 Matsushita et al. 172/7
- 5,620,053 A 4/1997 Kamikawa et al. 172/4
- 5,799,737 A * 9/1998 Kamikawa et al. 172/2
- 5,950,141 A * 9/1999 Yamamoto et al. 702/41

- D425,527 S * 5/2000 Deyo et al. D15/32
- 6,408,549 B1 * 6/2002 Quenzi et al. 37/281
- 6,412,199 B1 * 7/2002 Quenzi et al. 37/281
- 6,481,506 B2 * 11/2002 Okada et al. 172/812
- 6,574,890 B2 * 6/2003 Bateman, Jr. 37/264
- D477,610 S 7/2003 Matsumoto et al. D15/11
- D478,097 S * 8/2003 Vennard et al. D15/11
- D478,098 S 8/2003 Matsumoto et al. D15/11
- 6,938,701 B2 9/2005 Matsumoto et al. 172/811

FOREIGN PATENT DOCUMENTS

- JP 61-76861 5/1986
- JP 63-71253 5/1988
- JP 04-92064 8/1992
- JP 08-049224 2/1996
- JP 2001-040693 2/2001
- JP 1184490 9/2003

* cited by examiner

Primary Examiner—Stella Reid

Assistant Examiner—Mark Goodwin

(74) *Attorney, Agent, or Firm*—Synnesvadt & Lachner LLP

(57) **CLAIM**

The ornamental design for a blade for construction machinery, as shown and described.

DESCRIPTION

FIG. 1 is a front perspective view of a blade for construction machinery showing our new design; FIG. 2 is a front view thereof; FIG. 3 is a rear view thereof; FIG. 4 is a top plan view thereof; FIG. 5 is a bottom plan view thereof; FIG. 6 is a right side elevational view thereof; and, FIG. 7 is a left side elevational view thereof.

1 Claim, 3 Drawing Sheets

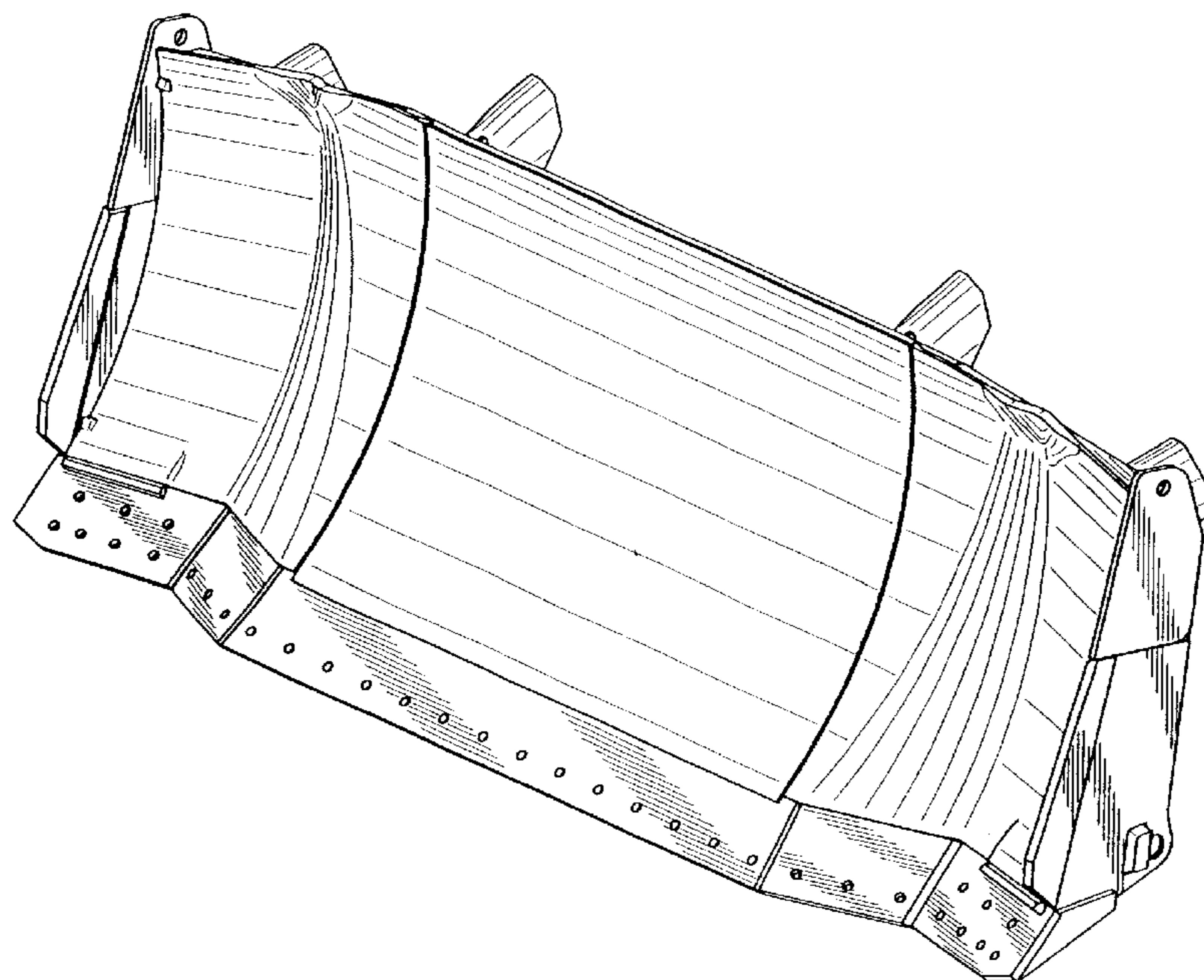


FIG. 1

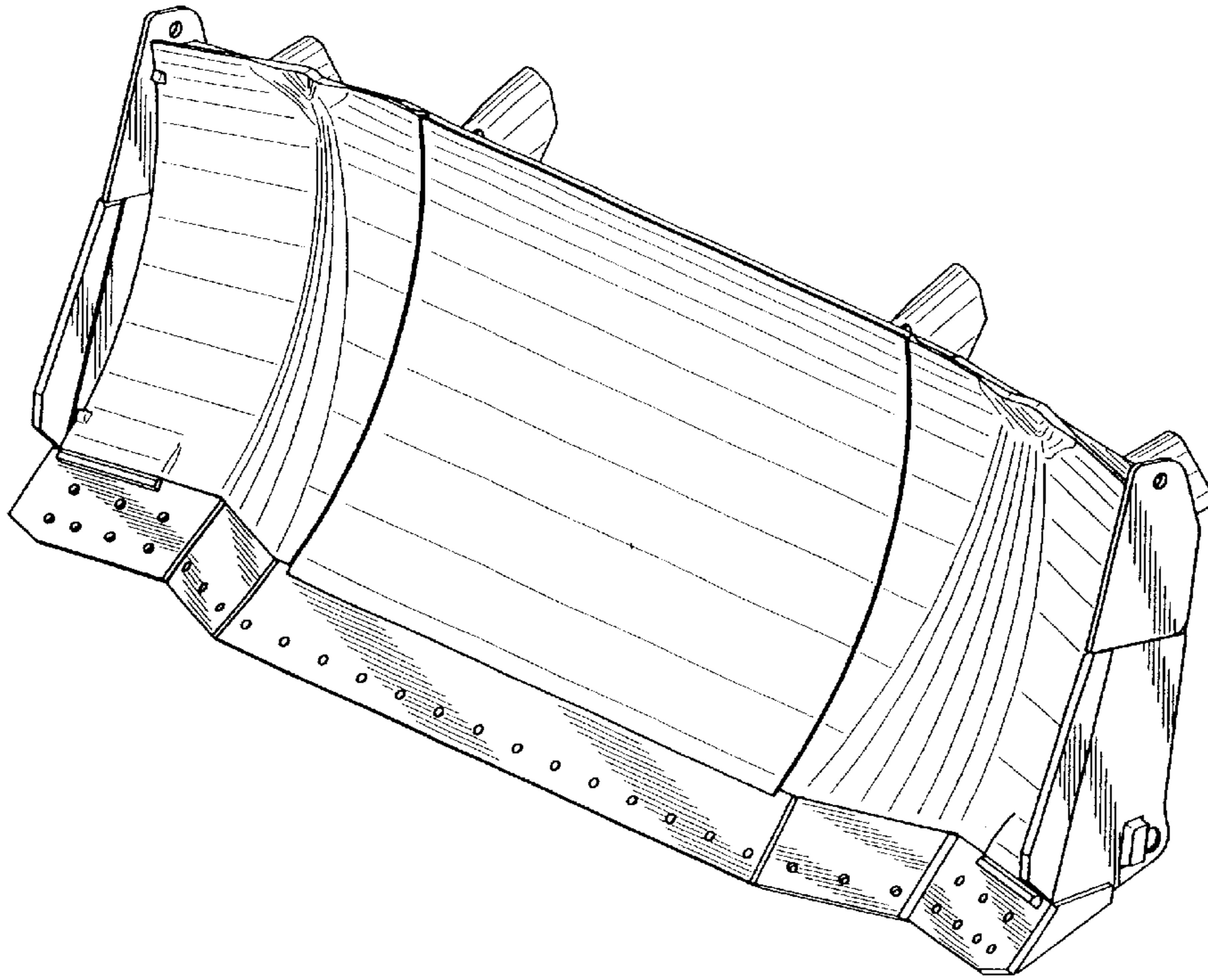


FIG. 2

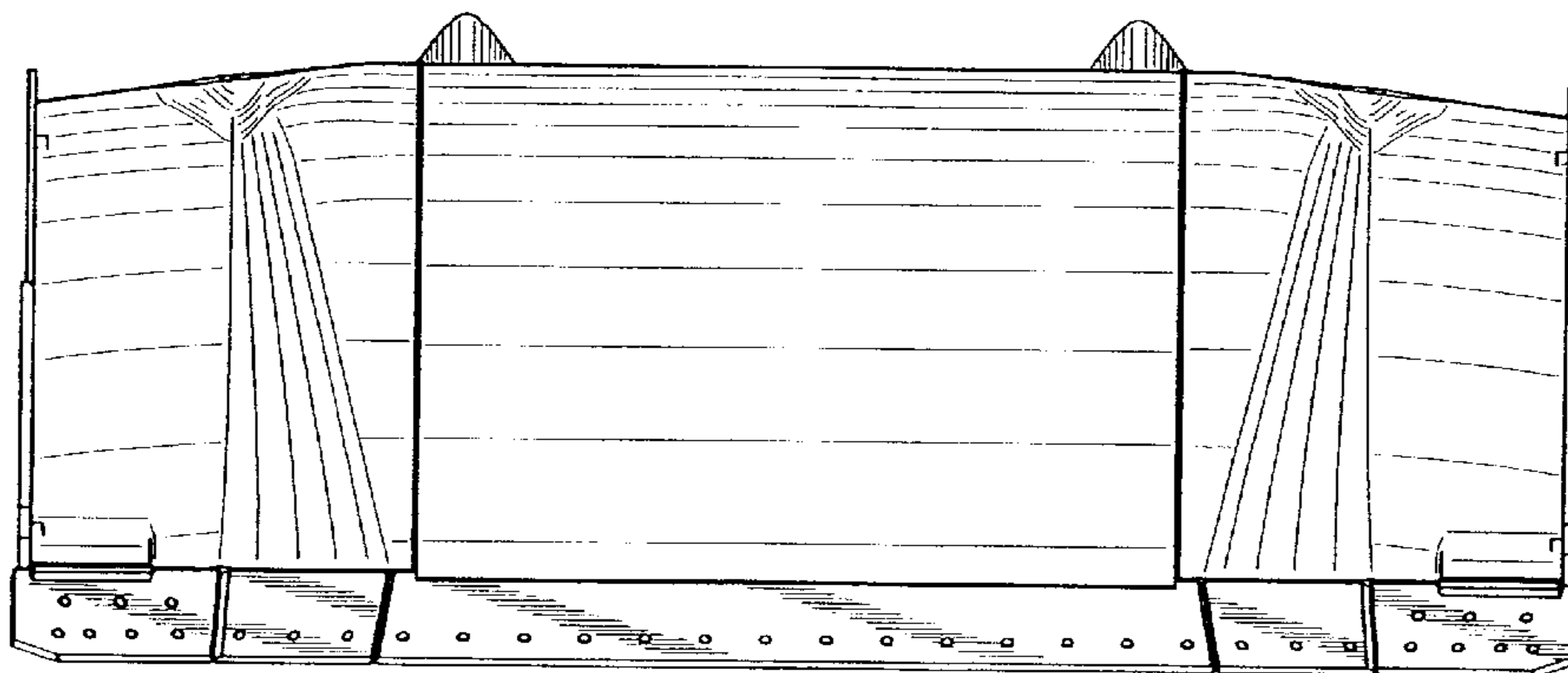


FIG. 3

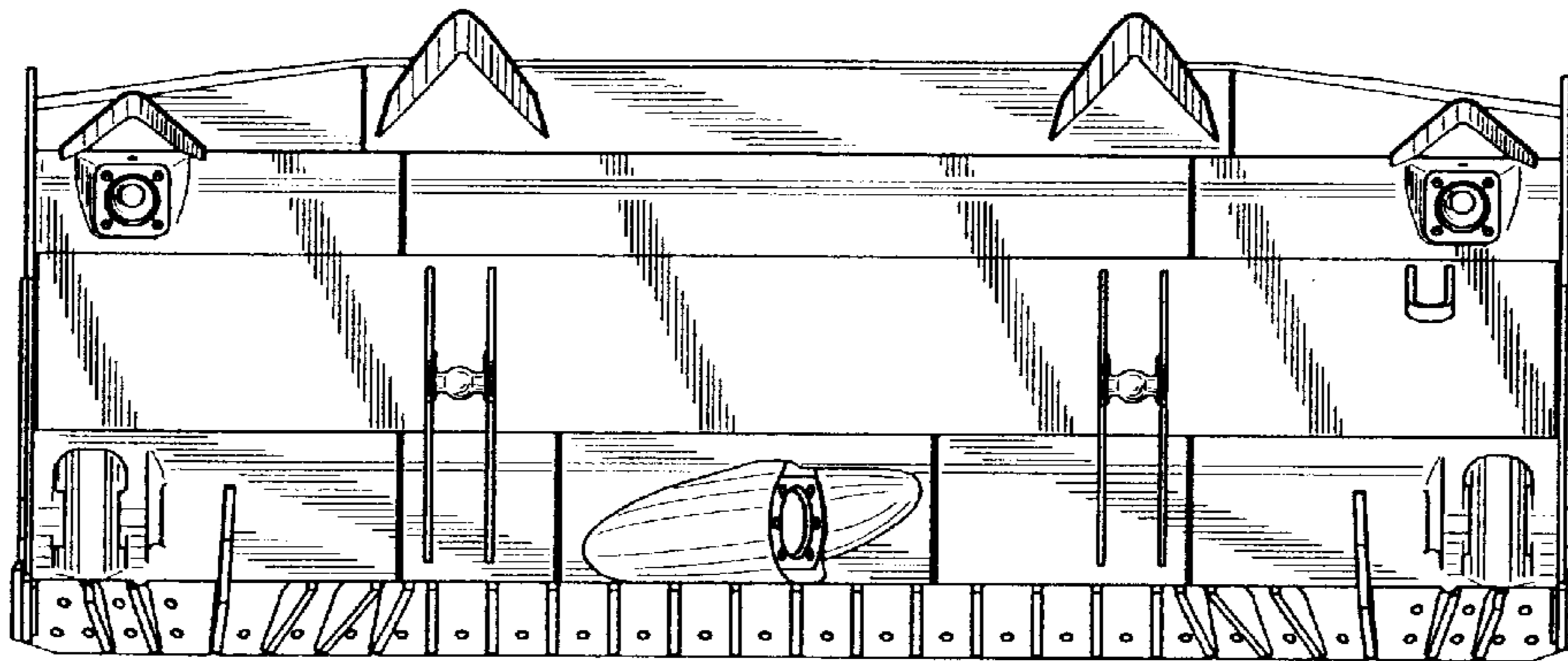


FIG. 4

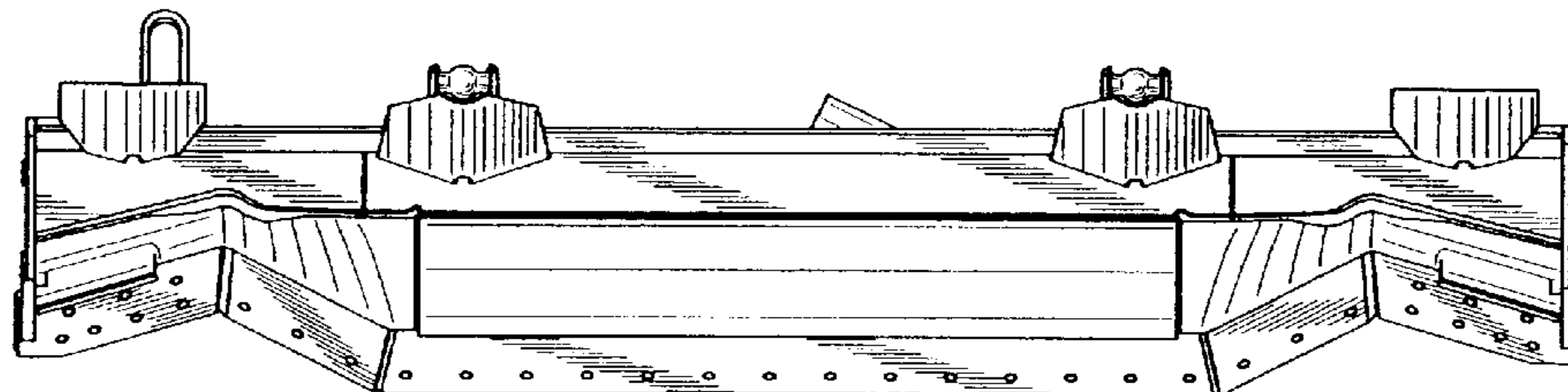


FIG. 5

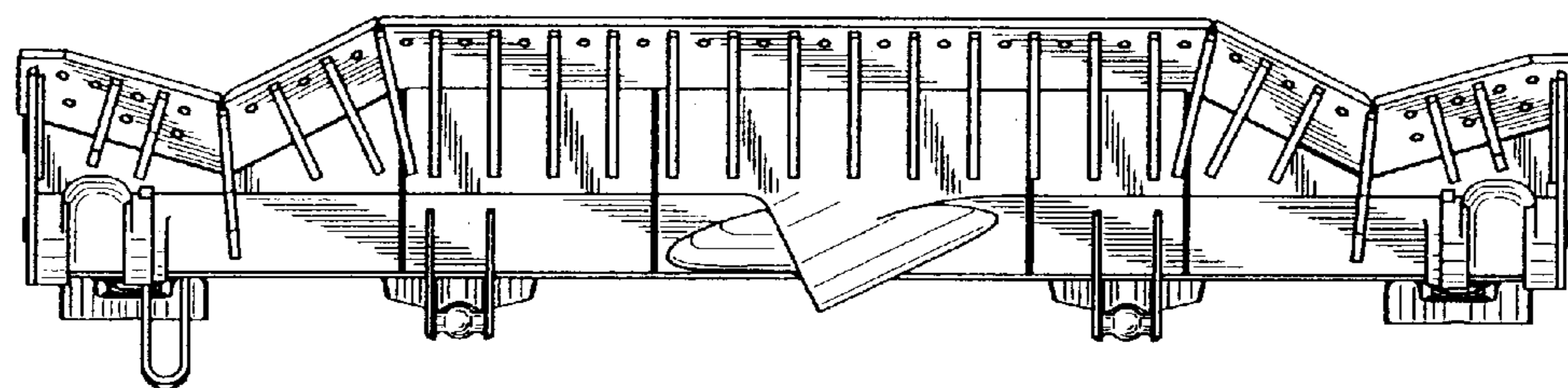


FIG. 6

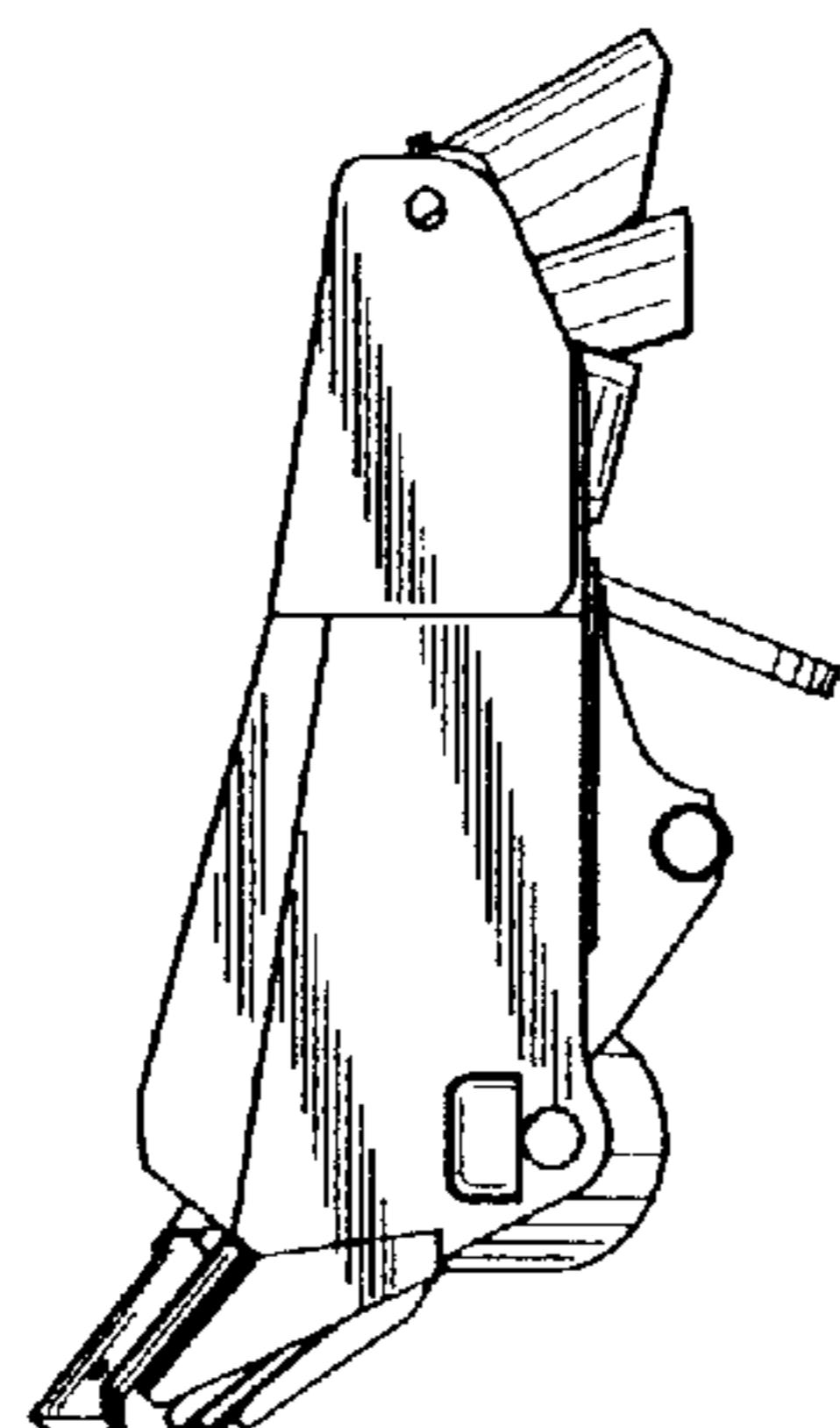


FIG. 7

