

US00D538304S

(12) **United States Design Patent**
Uemura

(10) **Patent No.:** **US D538,304 S**
(45) **Date of Patent:** **** Mar. 13, 2007**

(54) **EXCAVATOR**

(75) Inventor: **Masamitsu Uemura**, Chikugo (JP)

(73) Assignee: **Yanmar Co., Ltd.**, Osaka (JP)

(**) Term: **14 Years**

(21) Appl. No.: **29/251,004**

(22) Filed: **Jan. 4, 2006**

(30) **Foreign Application Priority Data**

Jul. 5, 2005 (JP) 2005-019630

(51) **LOC (8) Cl.** **12-09**

(52) **U.S. Cl.** **D15/25**

(58) **Field of Classification Search** D15/10,
D15/22-26, 28, 30; 180/89.1, 89.12, 89.13,
180/900, 9.1, 9.2, 9.62, 14 R; 37/379; 414/694,
414/699, 722-724, 660, 685, 698, 719, 743
See application file for complete search history.

(56) **References Cited**

U.S. PATENT DOCUMENTS

4,376,612	A	*	3/1983	Yeou	414/694
D273,384	S	*	4/1984	Nasu et al.	D15/24
5,222,563	A	*	6/1993	Van Horlick	172/111
D338,019	S	*	8/1993	Bhambra	D15/25
D391,272	S	*	2/1998	Jin et al.	D15/25
D406,152	S	*	2/1999	Miyaoka et al.	D15/25
D409,629	S	*	5/1999	Miyaoka et al.	D15/25
D431,253	S	*	9/2000	Marchetta et al.	D15/25
6,170,588	B1	*	1/2001	Irino et al.	180/89.1
D437,602	S	*	2/2001	Hiraoka et al.	D15/25

D450,067	S	*	11/2001	Murakami et al.	D15/25
D450,331	S	*	11/2001	Murakami et al.	D15/25
D450,717	S	*	11/2001	Muraro	D15/25
D460,462	S	*	7/2002	Miyanishi et al.	D15/25
D460,974	S	*	7/2002	Murakami et al.	D15/25
D460,975	S	*	7/2002	Yanagida et al.	D15/25
D462,973	S	*	9/2002	Tamaru et al.	D15/25
D462,974	S	*	9/2002	Yanagida et al.	D15/25
D463,455	S	*	9/2002	Yanagida et al.	D15/25
6,502,896	B1	*	1/2003	Nakata et al.	296/190.05
6,729,831	B1	*	5/2004	Kawamura et al.	414/694
D518,071	S	*	3/2006	Gwak et al.	D15/25

* cited by examiner

Primary Examiner—Stella Reid

Assistant Examiner—Mark Goodwin

(74) *Attorney, Agent, or Firm*—Sterne, Kessler, Goldstein & Fox P.L.L.C.

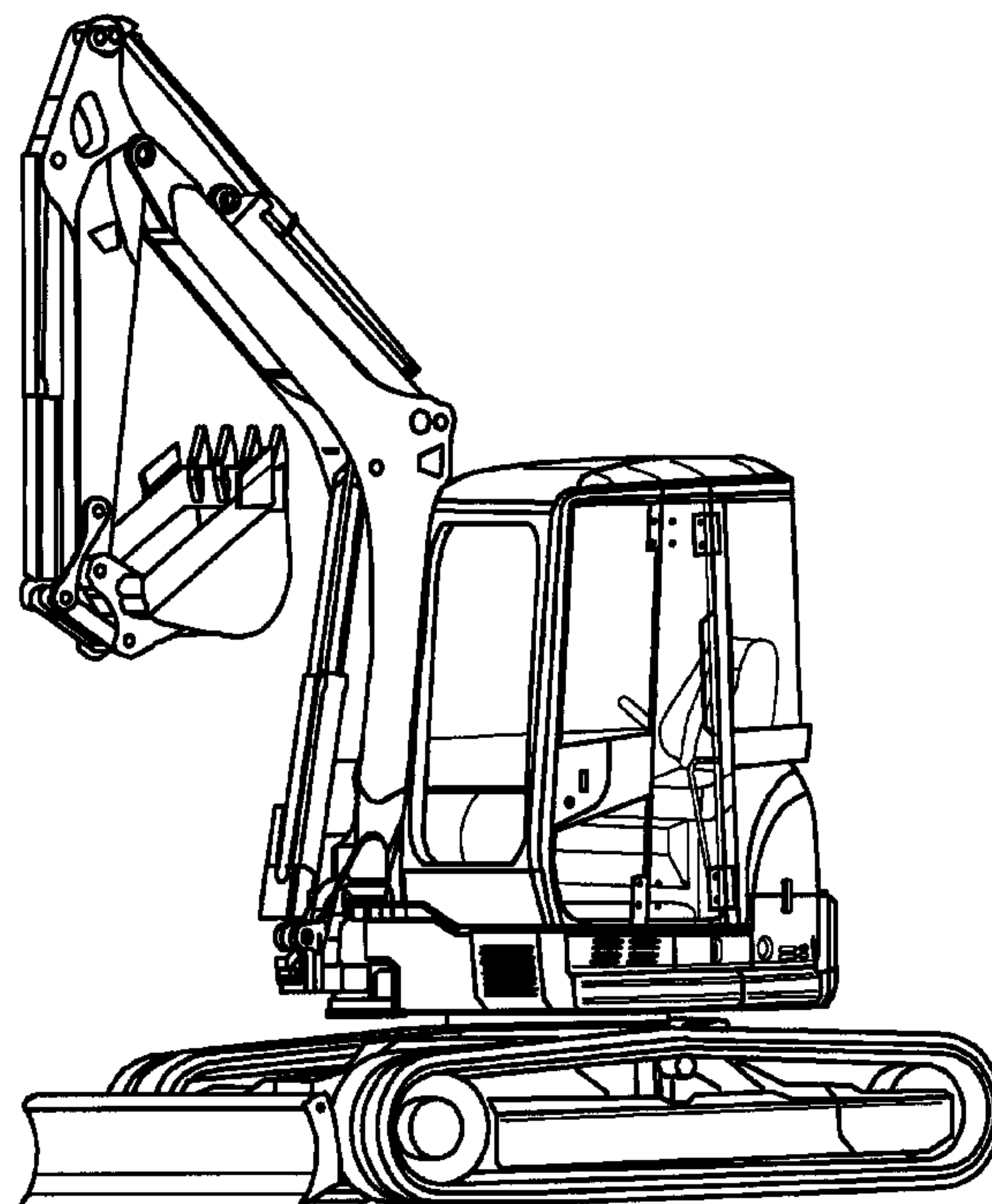
(57) **CLAIM**

The ornamental design for an excavator, as shown and described.

DESCRIPTION

FIG. 1 is a right side perspective view of an excavator showing my new design;
FIG. 2 is a front view thereof;
FIG. 3 is a rear view thereof;
FIG. 4 is a left side view thereof;
FIG. 5 is a right side view thereof;
FIG. 6 is a top plan view thereof; and,
FIG. 7 is a bottom view thereof.

1 Claim, 7 Drawing Sheets



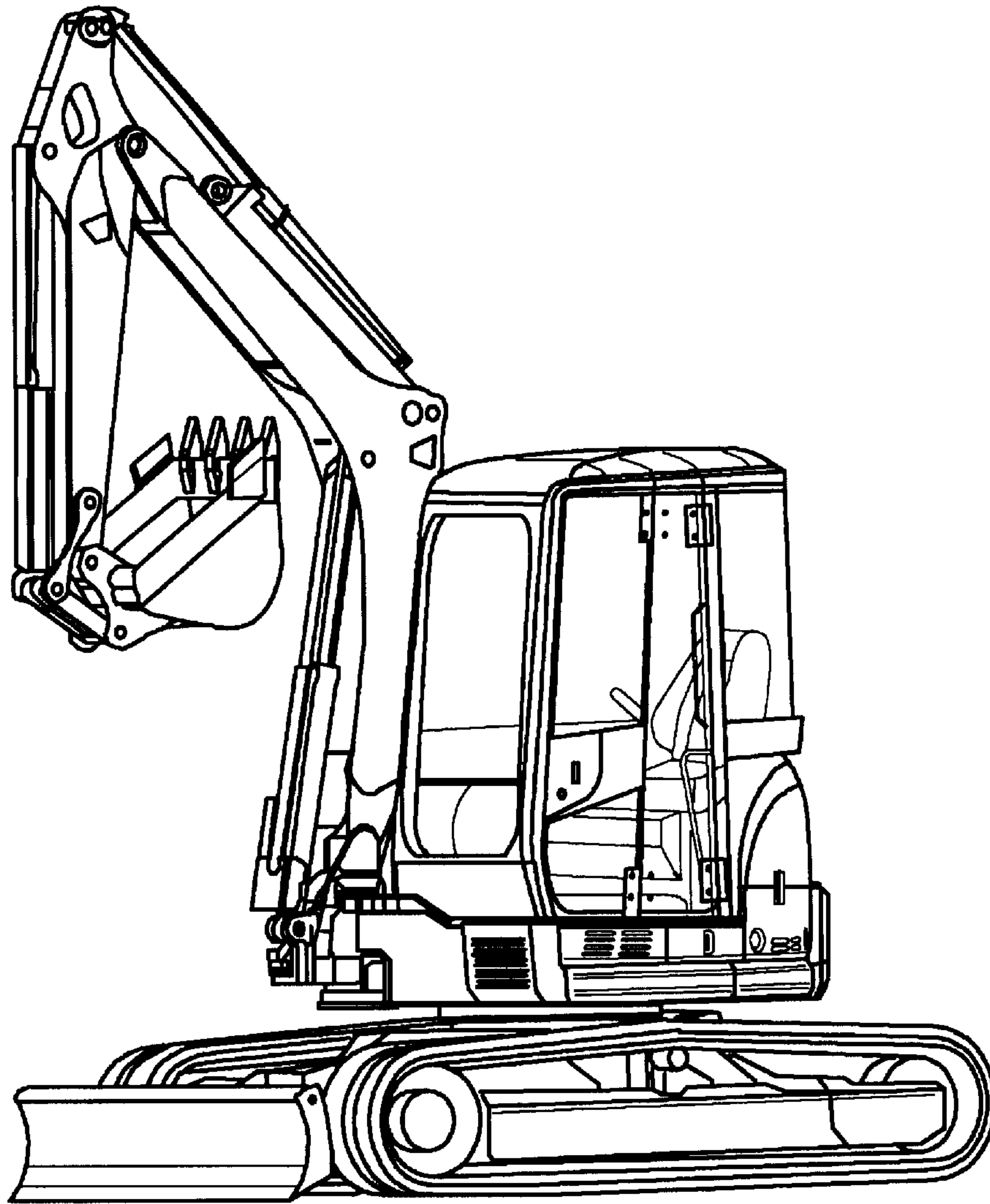


FIG. 1

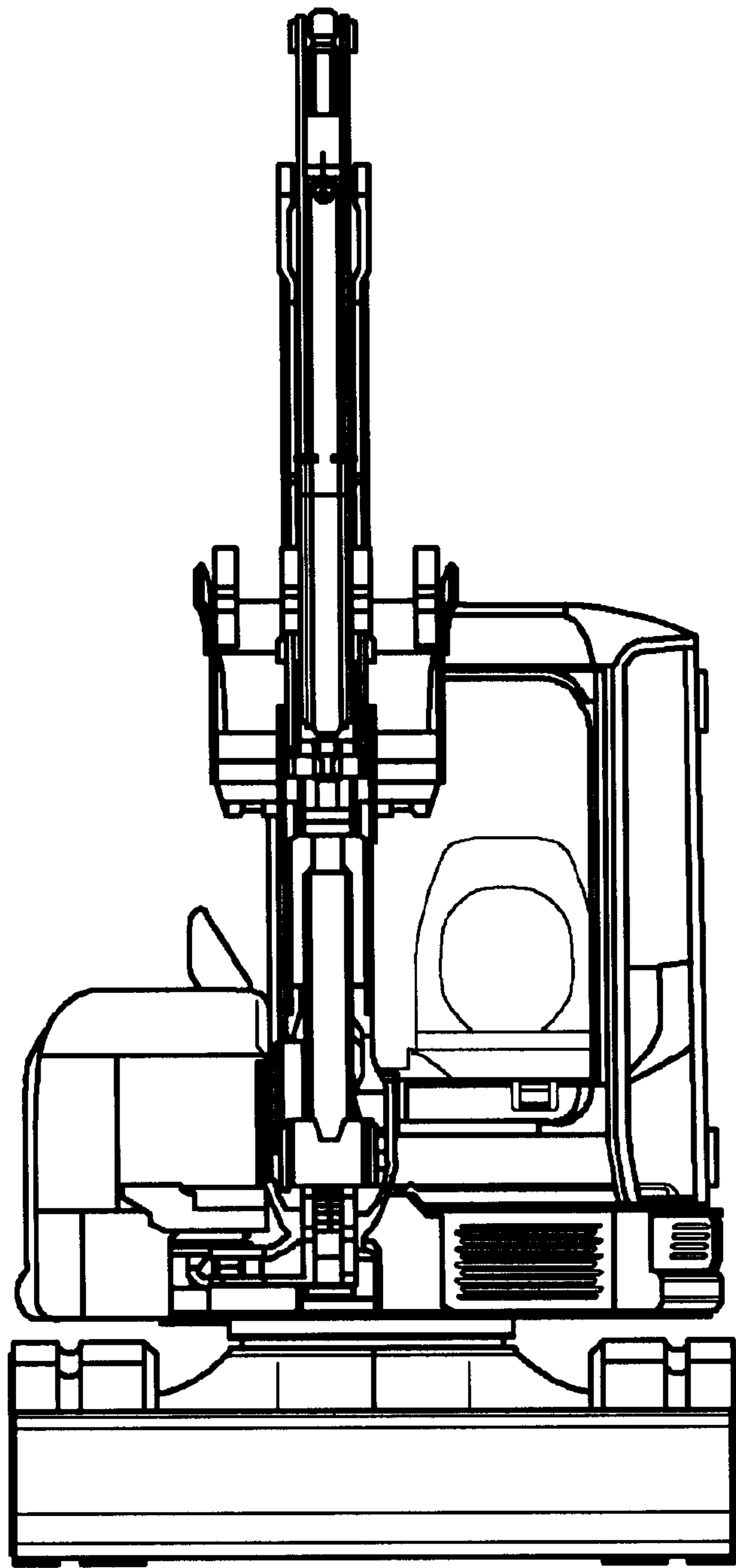


FIG. 2

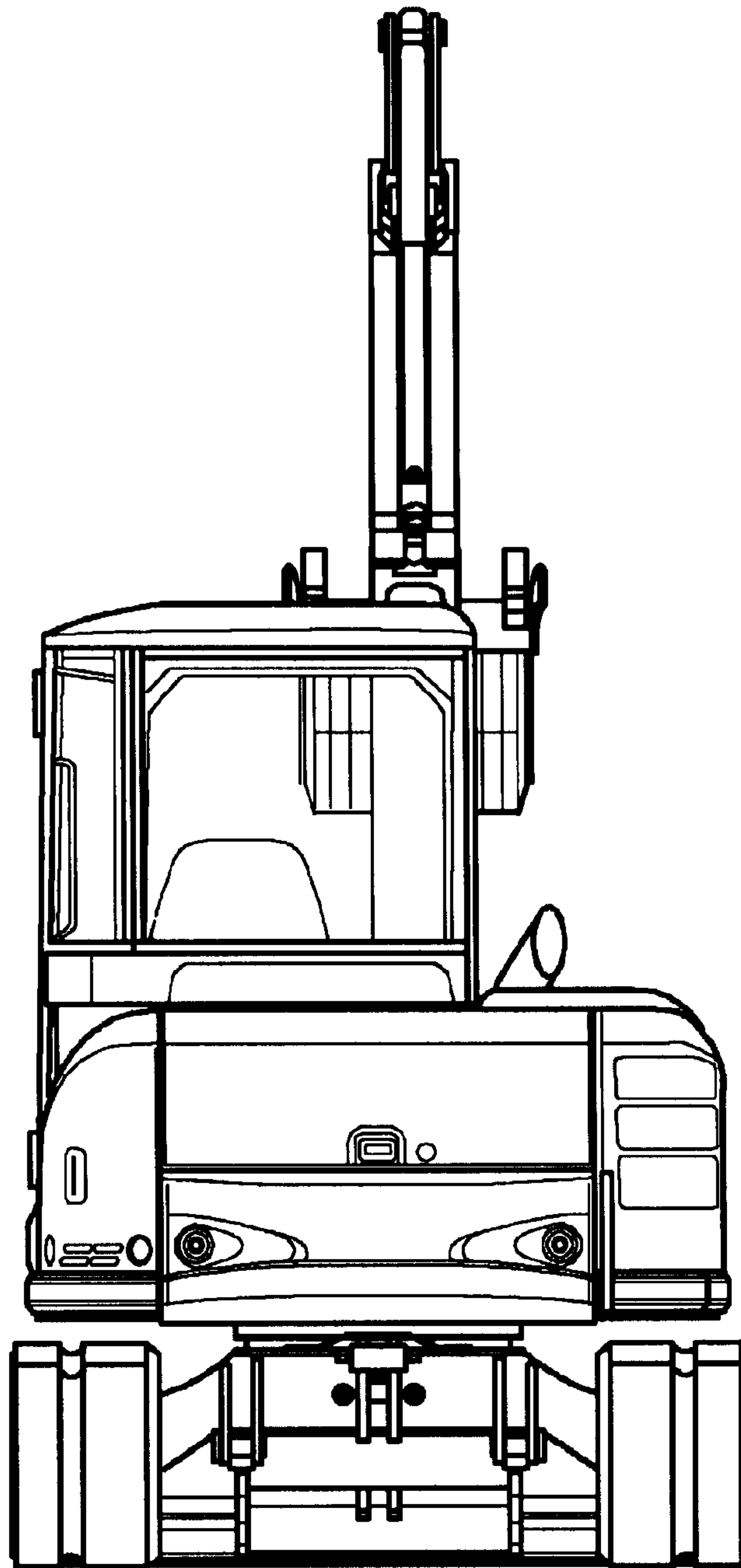


FIG. 3

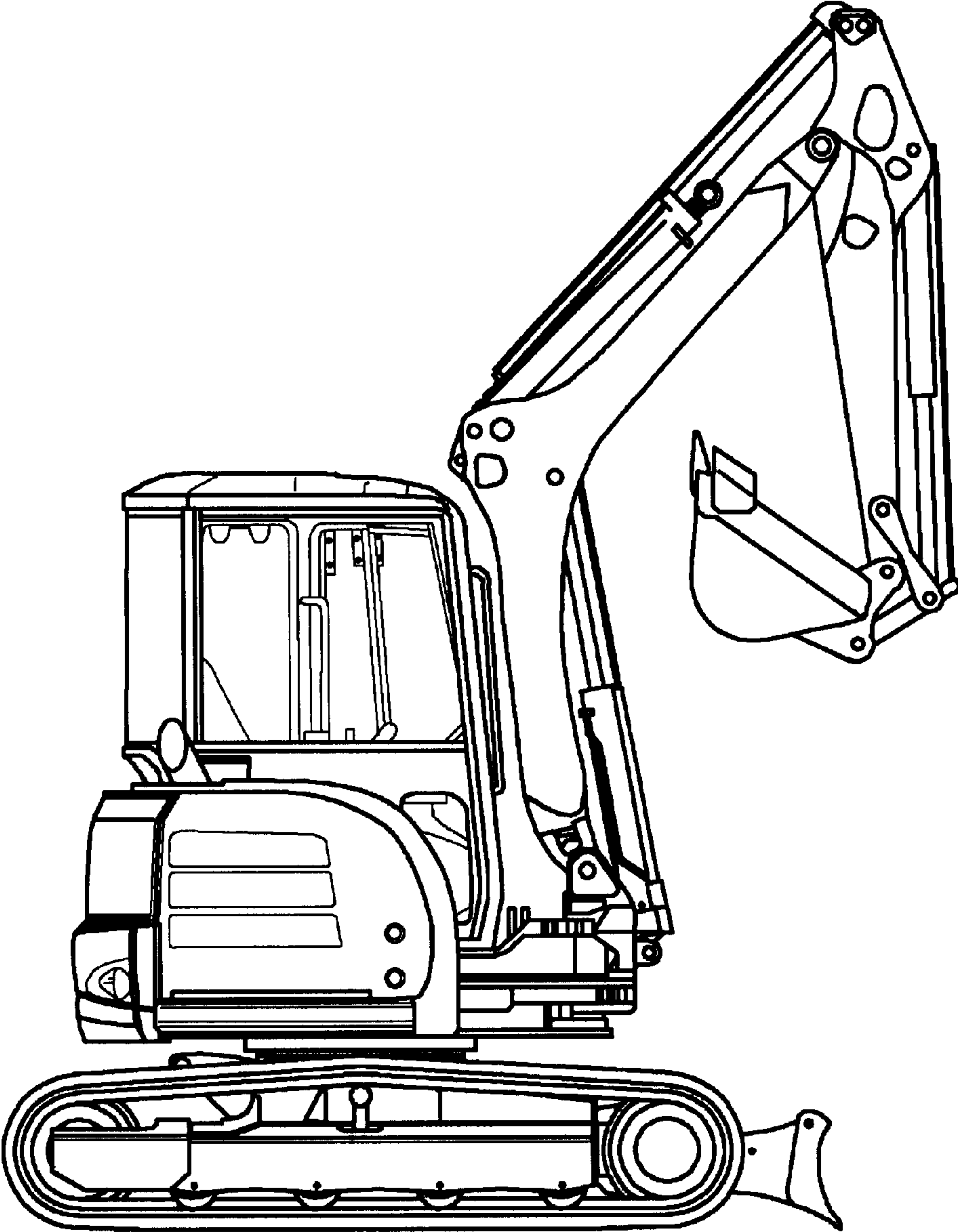


FIG. 4

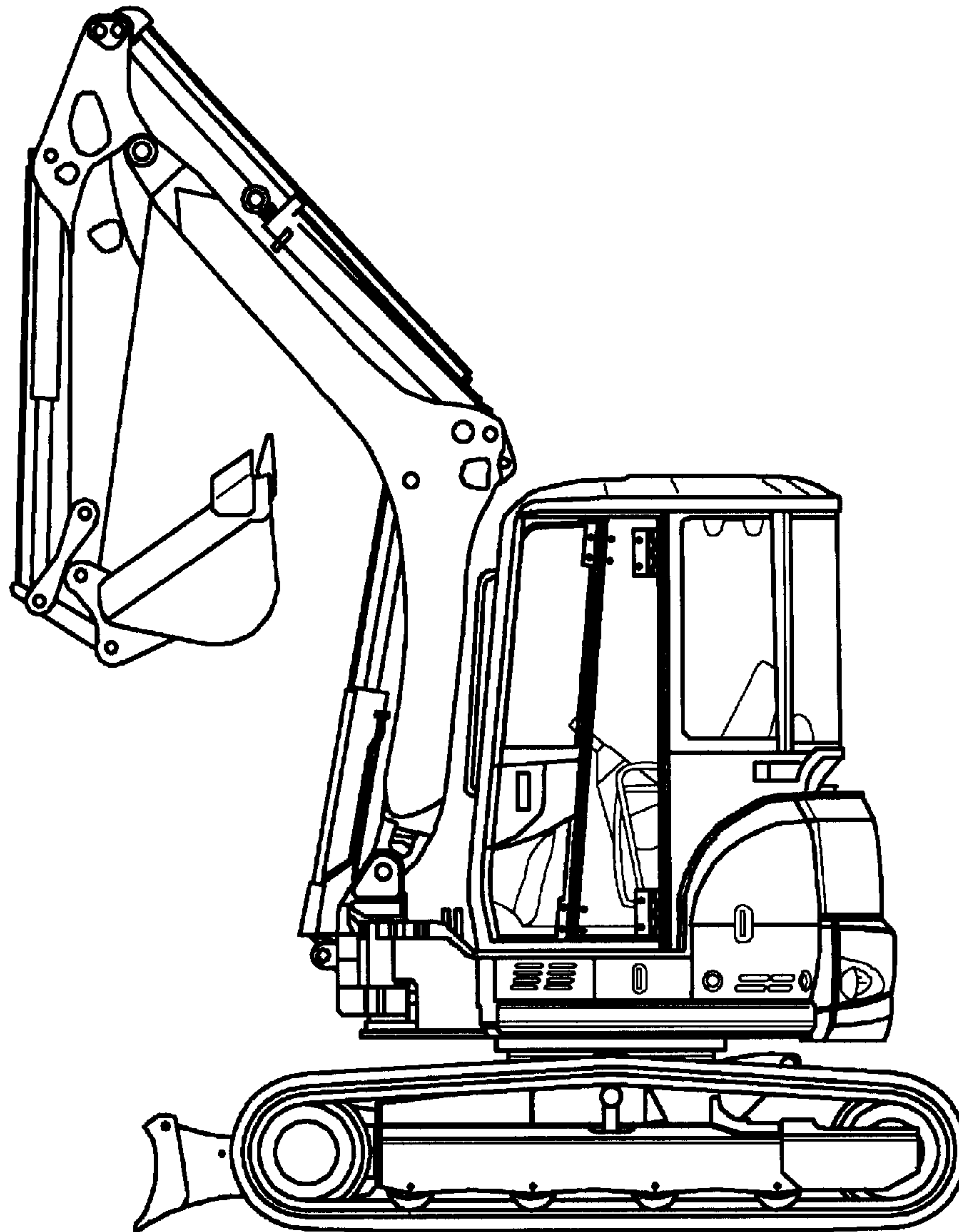


FIG. 5

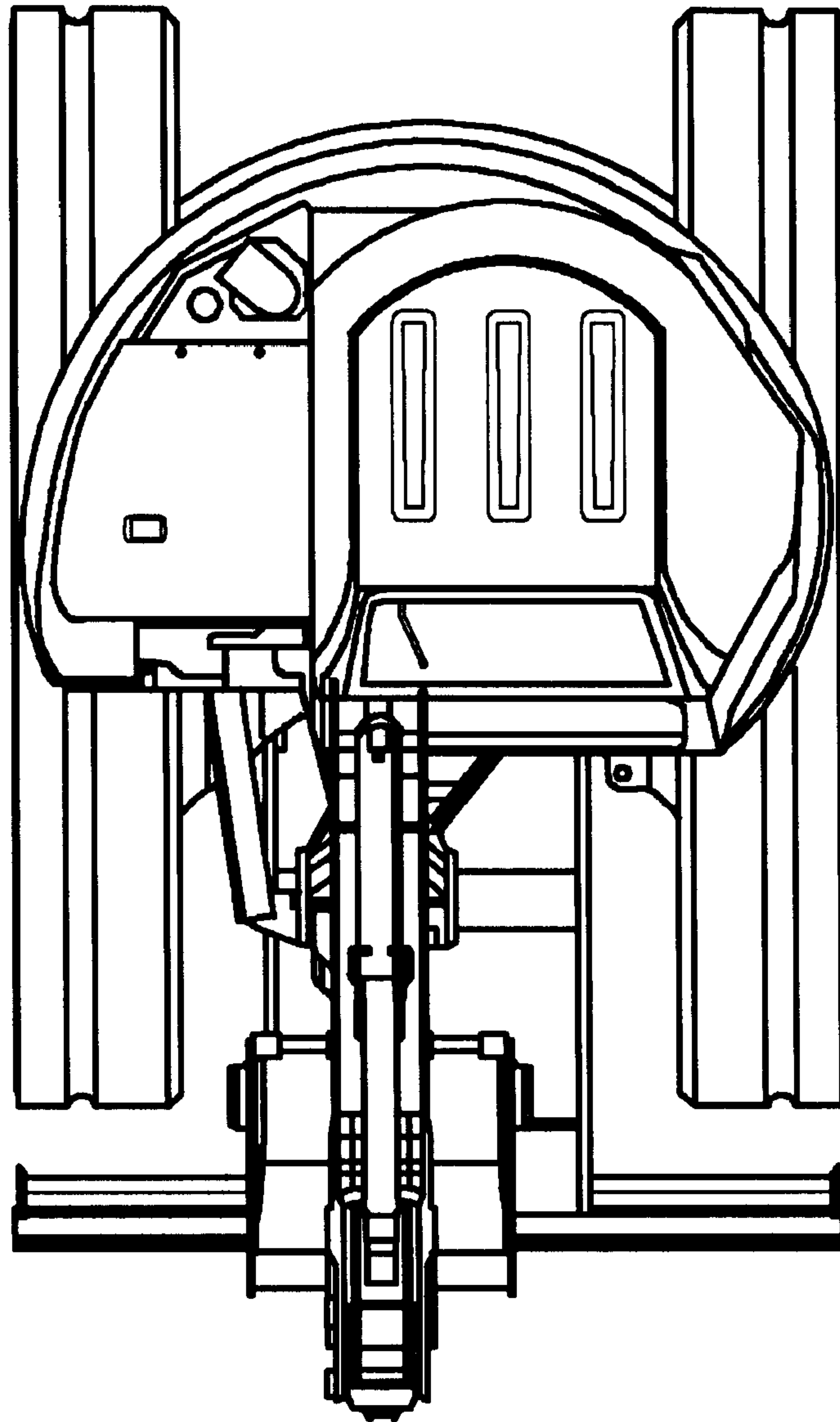


FIG. 6

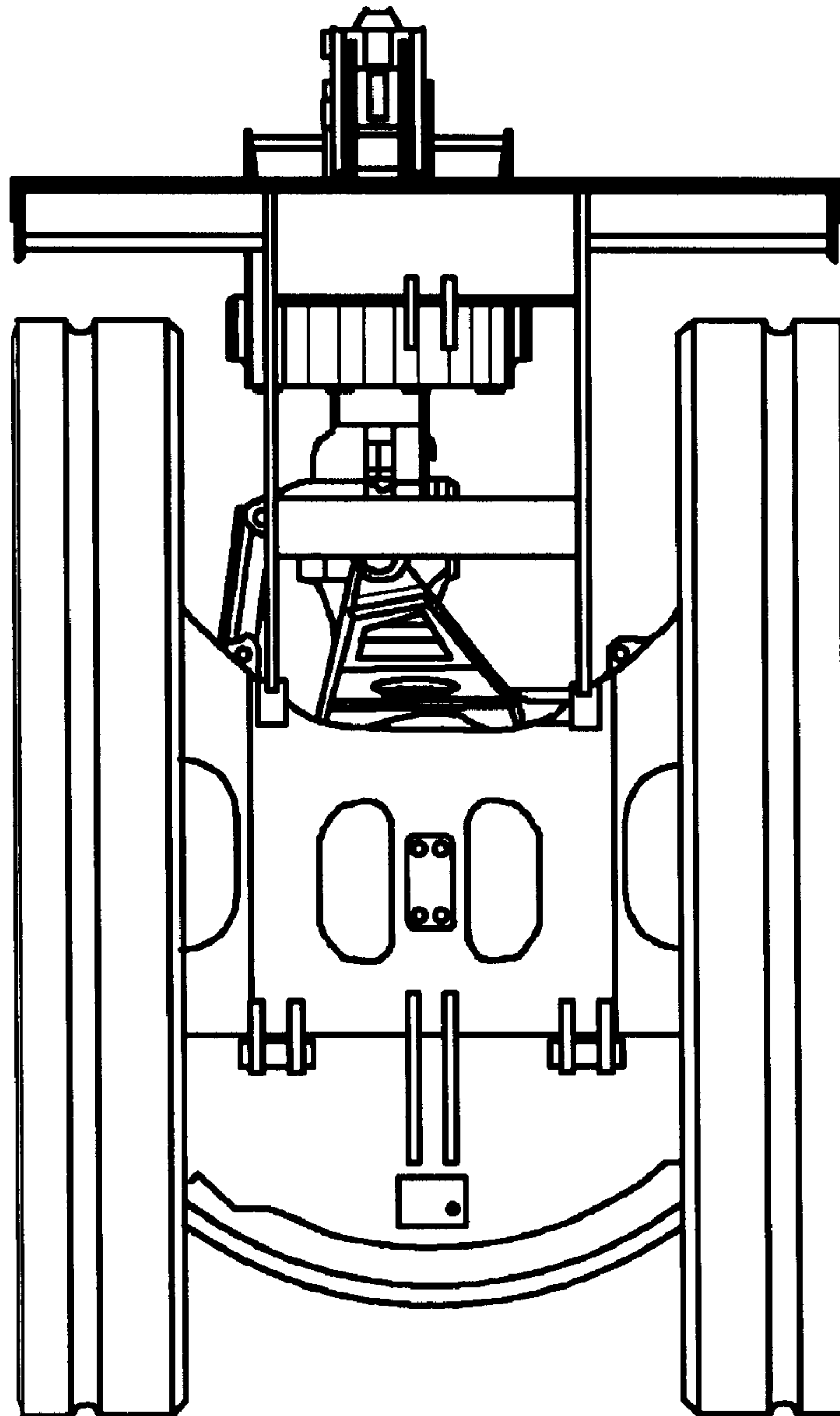


FIG. 7